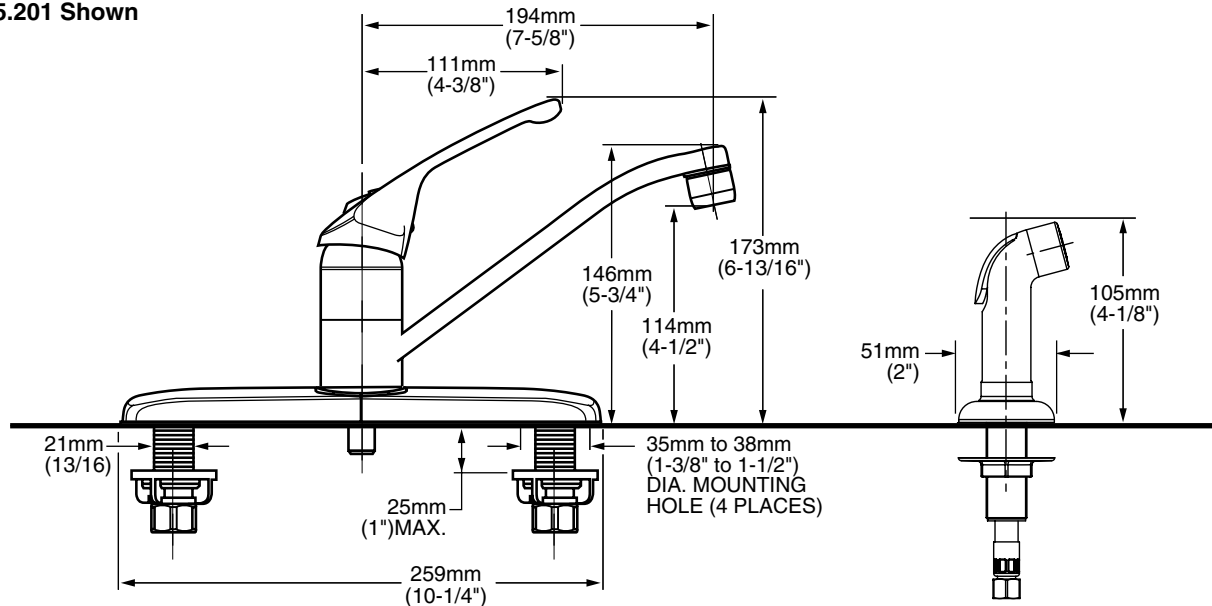


4175.201 Shown

**MODEL NUMBER:**

- 4175.201 Kitchen Faucet**  
Metal Lever Handle. Separate Handspray.
- 4175.203 Kitchen Faucet**  
Metal Lever Handle. Handspray through escutcheon.
- 4175.200 Kitchen Faucet**  
Metal Lever Handle. Less Handspray.



**GENERAL DESCRIPTION:**

Brass 7-5/8" (194mm) swivel spout. Metal lever handle. Washerless 40mm ceramic disc valve cartridge. Cast brass waterway with 1/2" male inlet shanks. Metal escutcheon plate (escutcheon size 10-1/4"L x 2-3/8"W). 2.2gpm/8.3L/min. maximum flow rate.

**PRODUCT FEATURES:**

**Ceramic Disc Valve Cartridge:** Assures a lifetime of drip-free performance.

**Cast Brass Waterways with "City Shanks":** Strong and durable. Integral tabs on casting provide a wobble-free installation.

**Low Lead:** Meets NSF Standard 61/Section 9 & Prop 65 lead requirements.

**Memory Position Valving:** Allows user to turn valve on and off at preferred temperature setting without readjusting handle position each time.

**Large "Comfort Zone":** Allows easy fine tuning of temperature.

**Simple Installation:** Fast and easy one person installation. Faucet drops in from top. Quick spin nuts secure faucet in place.

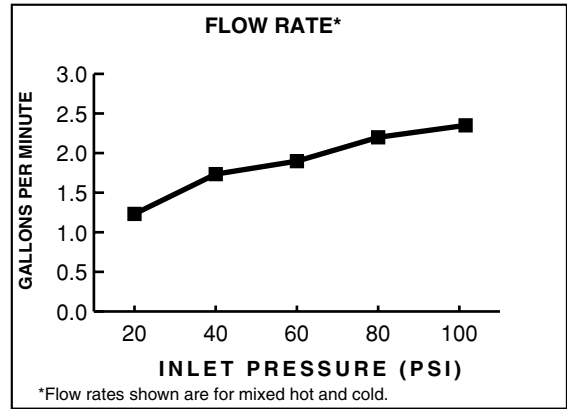
**SUGGESTED SPECIFICATION:**

Single control kitchen faucet shall feature cast brass waterway. Shall also feature washerless 40mm ceramic disc valve cartridge. Faucet shall be American Standard Model # 4175.\_\_\_\_.\_\_\_\_.


**CODES AND STANDARDS**

These products meet or exceed the following codes and standards:

- ANSI A117.1**
- ASME A112.18.1**
- CSA B125**
- NSF 61/Section 9**



Product Number	Description	Finish
		Polished Chrome
		002
4175.201	Kitchen Faucet. Separate Handspray.	
4175.203	Kitchen Faucet. Handspray through escutcheon.	
4175.200	Kitchen Faucet. Less Handspray.	

 Meets the American Disabilities Act Guidelines and **ANSI A117.1** Requirements for the physically challenged.