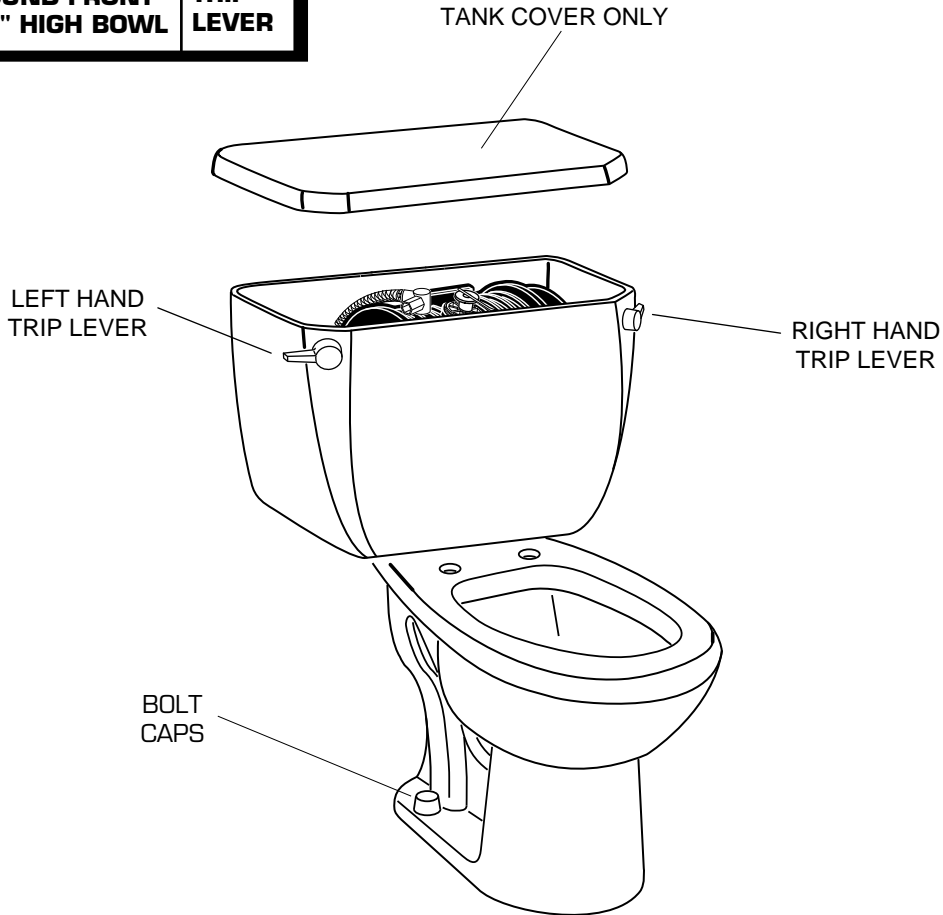


# CADET 1.6/PA TOILET

## MODEL NUMBERS

*American Standard*

2292.100	ELONGATED	L.H.
2172.100	ROUND FRONT	TRIP
2168.100	18" HIGH BOWL	LEVER
2292.800	ELONGATED	R.H.
2172.800	ROUND FRONT	TRIP
2168.800	18" HIGH BOWL	LEVER



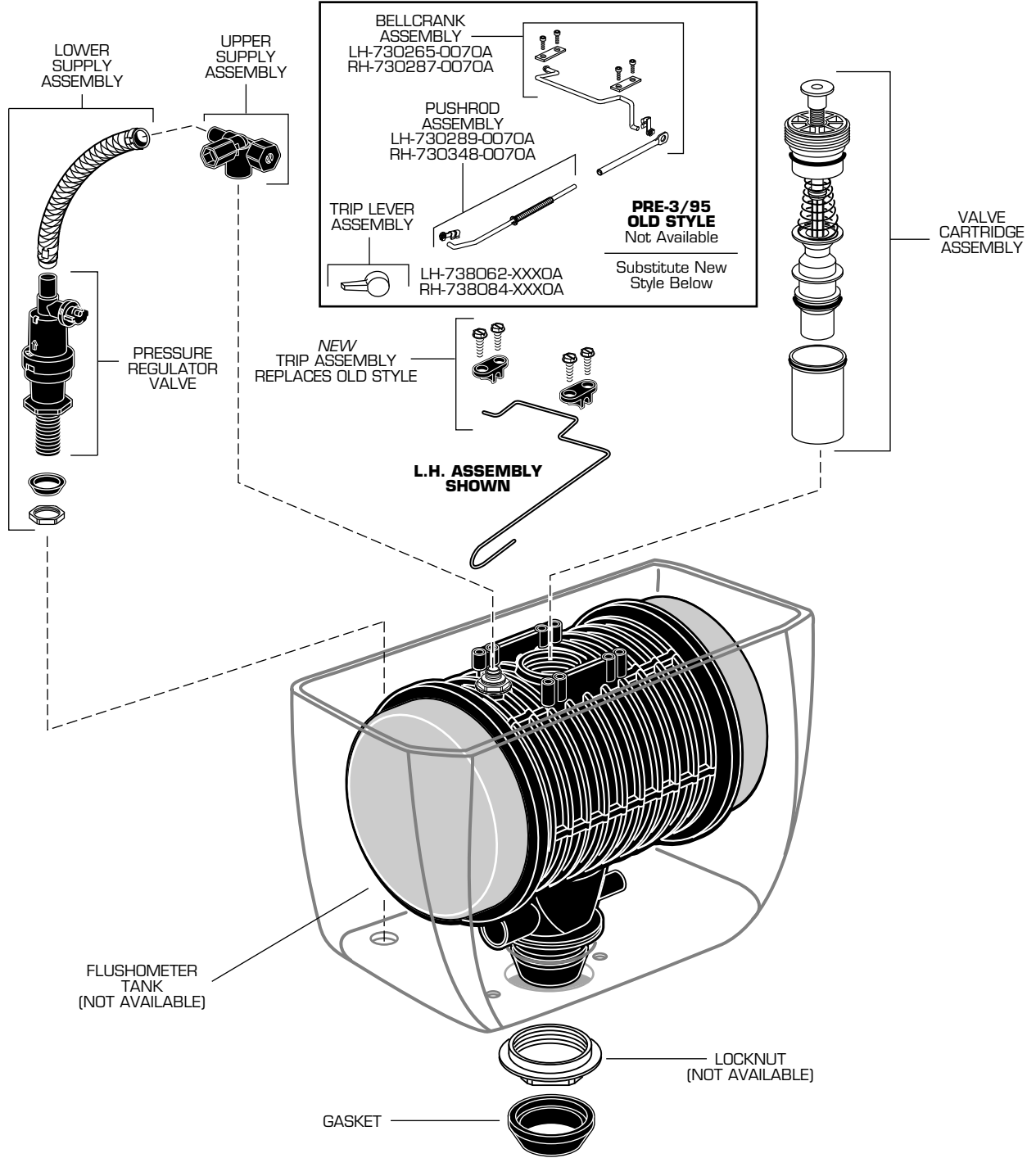
DESCRIPTION	▶ COMPONENT	PKG QTY
★ Elong. Bowl only w/(2) Bolt Caps	3081.017.XXX	1
★ Tank w/Fittings & Cover (L.H. Lever)	4086.100.XXX	1
★ Tank w/Fitting & Cover (R.H. Lever)	4086.800.XXX	1
★ Tank Cover	735010.405.XXX	1
★ Round Front Bowl w/(2) Bolt Caps	3079.014.XXX	1
★ Elong. Bowl, 18" Rim Ht. w/Bolt Caps	3042.109.XXX	1
DESCRIPTION	COMPONENT	PKG QTY
<input type="checkbox"/> Trip Lever (L.H.)	738153-0020A	1
<input type="checkbox"/> Trip Lever (R.H.)	738154-0020A	1
★ Bolt Cap Kit	034783-XXX0A	2
Coupling Kit, Bowl-to-Tank	730292-0070A	1

▶ FOR COMPONENT PART ORDERING SEE CURRENT PRODUCT SELECTOR AND PRICING GUIDE

★ Replace XXX with Fixture Color Code, see page VII

- Pre-3/95 production requires P/N 738237-0070A
- Pre-3/95 production requires P/N 738238-0070A

NOTE: Post-3/95 production handle may be ordered separately.



REPAIR PARTS		DESCRIPTION	PART NUMBER	PKG QTY
Flushometer Tank		Lower Supply Assembly (35 PSI)	730270-0070A	1
		Upper Supply Assembly	047251-0070A	1
		Valve Cartridge Assembly	047563-0070A	1
		Pressure Regulator Valve (35 PSI)	730258-0070A	1
		Gasket	047218-0070A	1
Trip Lever Linkage	<input type="checkbox"/> R.H.	Trip Assembly	738238-0070A	1
	<input type="checkbox"/> L.H.	Trip Assembly	738237-0070A	1

- Pre-3/95 production requires P/N 738154-XXX0A
- Pre-3/95 production requires P/N 738153-XXX0A