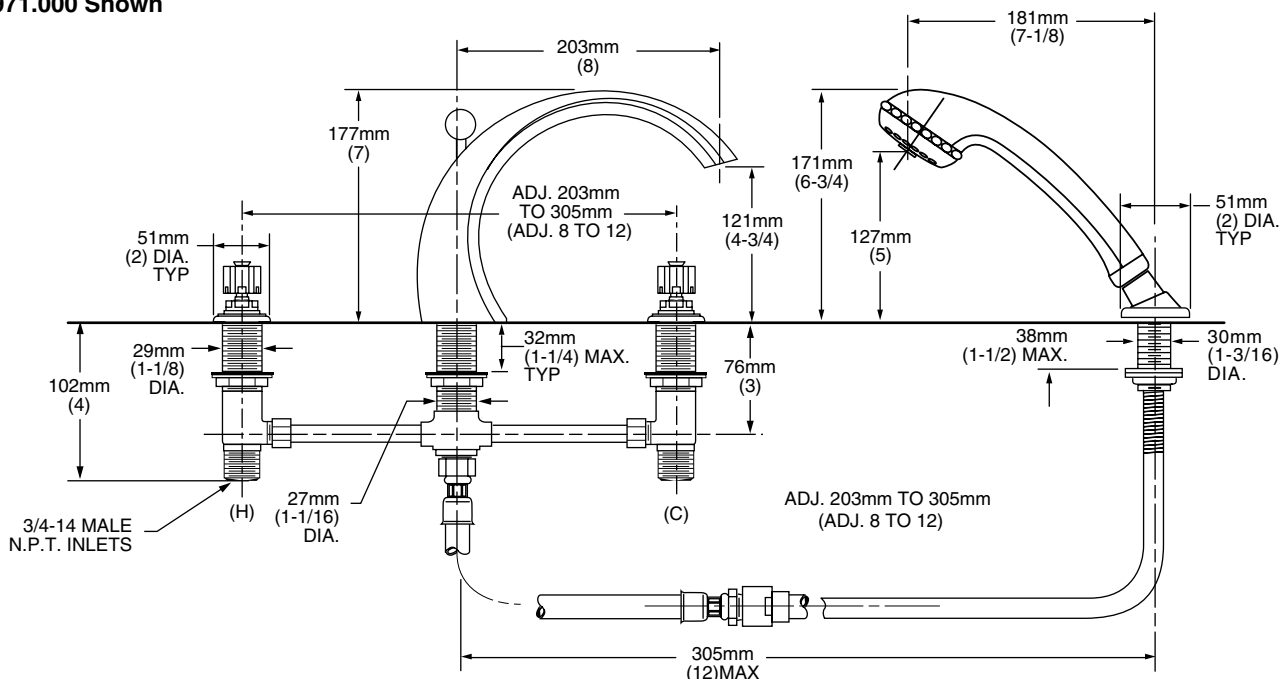


8971.000 Shown

MODEL NUMBER:

- 8971.000 Deck-Mount Tub Filler
SOFT personal shower. Less handles.
- 8970.000 Deck-Mount Tub Filler
Less personal shower. Less handles.

Handles must be ordered separately.



GENERAL DESCRIPTION:

Durable cast brass spout with built-in diverter (on 8971.000). Rigid brass and copper waterway below deck provided for 12" installations (can be cut for 8" installations). Brass valve bodies with 3/4" NPT inlets with brass coupling nuts. Amarilis 1/4 turn washerless ceramic disc valve cartridges - reversible for use with either lever or round handles. Personal shower features a 6-1/2' long hose (1-1/2' heavy duty hose and 5' decorative hose.)

PRODUCT FEATURES:

- Brass Construction:** Durable. Ideal for prolonged contact with water. Provides the finest surface for application of finishes.
- Ceramic Disc Valve Cartridges:** Assures a lifetime of drip-free performance.
- Flex Set Packaging:** Full range of interchangeable handle styles.
- Choice of Finishes:** Wide range of durable finishes.

SUGGESTED SPECIFICATION:

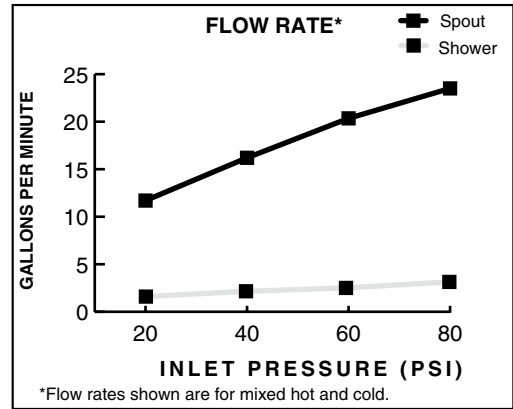
Two handle deck-mount tub filler shall feature cast brass construction with brass and copper waterway. Shall also feature 1/4 turn washerless ceramic disc valve cartridges that are reversible for use with round or lever handles. Fitting shall be American Standard Model # _____ and handle kit # 0000._____.

CODES AND STANDARDS

These products meet or exceed the following codes and standards:

**ASME A112.18.1
CSA B125**

Check local plumbing codes. Some installations may require a vacuum breaker.



Product Number	Description	Finish Options		
		Polished Chrome	PVD Polished Brass	PVD Satin Nickel
		002	099	295
8971.000	Tub Filler. SOFT personal shower. Less handles.			
8970.000	Tub Filler. Less personal shower. Less handles.			

Handles must be ordered separately.

To order **Less Handles** - Specify: 4 digit Style number followed by three zeros and 3 digit finish number. Example 8971.000.002 = Deck-Mount Tub Filler with SOFT personal shower in Polished Chrome finish.

The above fittings will accept the following Amaris-Series handles.

Metal Lever	Perfume Bottle	Metal Cross	Metal Lever	Lexington
442	432	552	542	902

Meets the American Disabilities Act Guidelines and **ANSI A117.1** Requirements for the physically challenged.