

AFWALL™ FloWise® ELONGATED TOILET

- Wall-mounted flushometer valve toilet
- Vitreous china
- Meets definition for HET (High Efficiency Toilet)
- High Efficiency (4.8 Lpf/1.28 gpf)
- EverClean® surface inhibits the growth of stain- and odor-causing bacteria, mold, and mildew on the surface
- Condensation channel
- Elongated bowl
- Powerful direct-fed siphon jet action
- 1-1/2" inlet spud
- Fully-glazed 2-1/8" trapway
- 10" x 12" water surface area
- 100% factory flush tested

- 3351.128** Elongated bowl only, top spud
- 3352.128** Elongated bowl only, top spud with slotted rim for bedpan holding (White only)
- 3353.128** Elongated bowl only, back spud
- 3354.128** Elongated bowl only, back spud with slotted rim for bedpan holding (White only)

Component Parts:

- 047007-0070A** Inlet Spud (furnished with bowl)

Nominal Dimensions:

660 x 356 x 381mm
(26" x 14" x 15")

Recommended working pressure—between
25 psi at valve when flushing and 80 psi static

Fixture only, less seat, bolt caps, and
flushometer valve

Compliance Certifications -

Meets or Exceeds the Following Specifications:

- ASME A112.19.2 for Vitreous China Fixtures
- CAN/CSA International B45



SEE REVERSE FOR ROUGHING-IN DIMENSIONS

To Be Specified:

- Color: White Bone Silver Linen Black
- Seat:
 - American Standard #5901.100 Heavy duty open front less cover
 - American Standard #5905.100 Extra heavy duty open front less cover
- Flushometer Valve:
 - American Standard Selectronic™ #6065.121.002 DC Power (Top Spud)
 - American Standard Selectronic™ #6065.222.007 DC Power (Concealed Back Spud)
 - American Standard Selectronic™ #6067.222.007 AC Power (Concealed Back Spud)
 - American Standard Selectronic™ #6068.222.007 Multi AC Power (Concealed Back Spud)

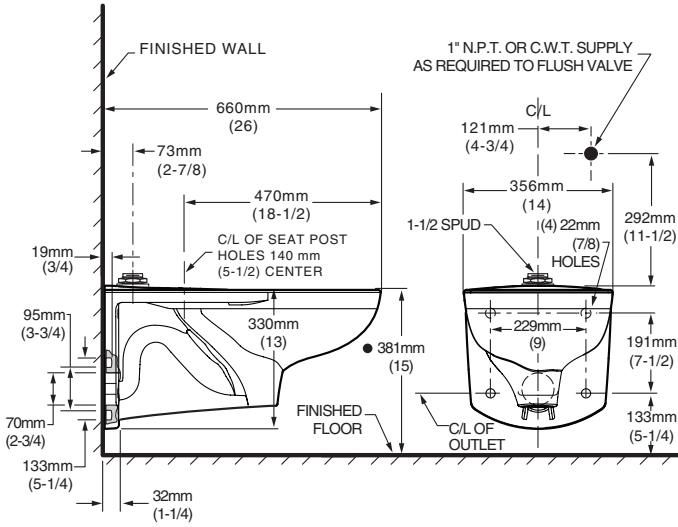


MEETS THE AMERICANS WITH DISABILITIES ACT GUIDELINES
AND ANSI A117.1 REQUIREMENTS FOR ACCESSIBLE AND USABLE
BUILDING FACILITIES - CHECK LOCAL CODES.

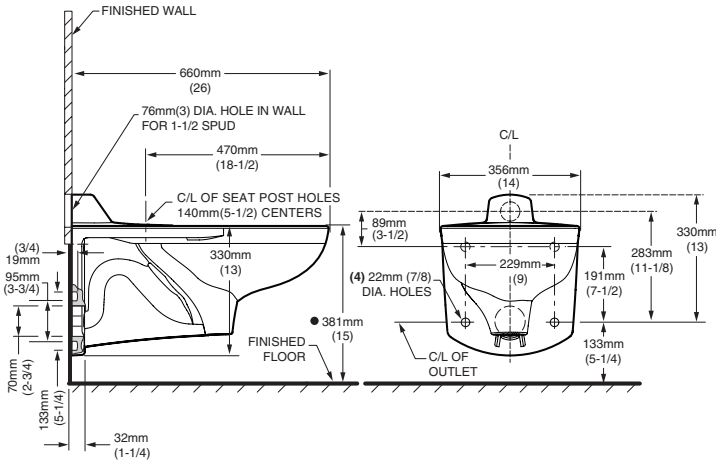
- When installed so top of seat is 432 to 483mm (17" to 19") from the finished floor.



3351.128/3352.128



3353.128/3354.128



NOTES:

● Toilet designed to meet ADA accessibility standards when top of seat height set at 432 to 483mm (17" to 19") from finished floor.

PRODUCT 3351.128 AND 3353.128 SHOWN, 3352.128 AND 3354.128 SAME AS EXCEPT WITH SLOTTED RIM FOR BED PAN HOLDING.

WASTE OUTLET SEAL RING MUST BE NEOPRENE OR GRAPHITE-FELT (WAX RING NOT RECOMMENDED).

SUGGESTED 2mm (1/16) CLEARANCE BETWEEN FACE OF WALL AND BACK OF BOWL. TO COMPLY WITH AREA CODE GOVERNING THE HEIGHT OF VACUUM BREAKER ON THE FLUSHOMETER VALVE, THE PLUMBER MUST VERIFY DIMENSIONS SHOWN FOR SUPPLY ROUGHING.

FLUSHOMETER VALVE NOT INCLUDED WITH FIXTURE AND MUST BE ORDERED SEPARATELY.

CARRIER FITTING AS REQUIRED TO BE FURNISHED BY OTHERS. PROVIDE SUITABLE REINFORCEMENT FOR ALL WALL SUPPORT.

IMPORTANT: Dimensions of fixtures are nominal and may vary within the range of tolerances established by ANSI Standard A112.19.2.

These measurements are subject to change or cancellation. No responsibility is assumed for use of superseded or voided pages