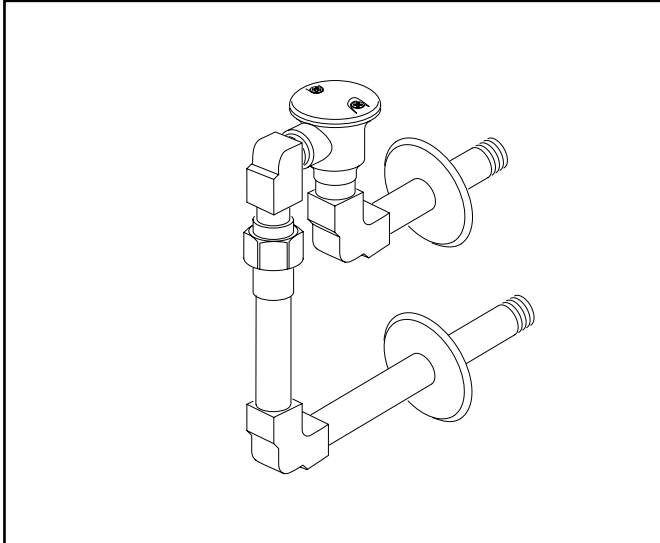


American Standard

COMMERCIAL

VACUUM BREAKER



MODEL NUMBER:

- 7837.016 Vacuum Breaker
Bottom outlet. 3/8" N.P.T. ells and nipples-to-wall for top inlet.

GENERAL DESCRIPTION:

Brass atmospheric vacuum breaker with bottom outlet to provide back flow protection. Union connection, 3/8" NPT ells and nipples to wall for top inlet and bottom outlet. 4" vertical centers. Brass wall escutcheons.

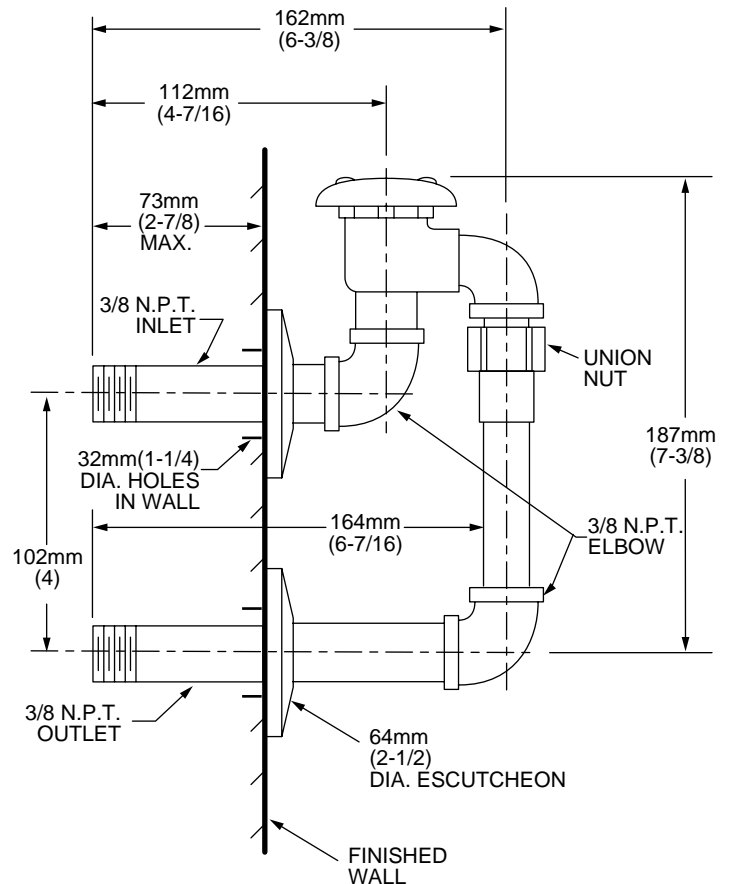
PRODUCT FEATURES:

Brass Construction: Durable - excellent in high use applications.

Vacuum Breaker: Brass housing, ells and nipples with re-buildable back flow preventer.

Bottom Outlet: Wall mounted.

Polished Chrome Finish: Excellent in commercial applications.



SUGGESTED SPECIFICATION

Wall mounted brass vacuum breaker shall feature a bottom outlet with union and re-buildable back flow prevention. Shall feature 4" vertical centers and Polished Chrome finish. Fitting shall be American Standard Model# 7837.016.

American Standard

COMMERCIAL

VACUUM BREAKER

CODES AND STANDARDS

These products meet or exceed the following codes and standards:

ASSE 1001

Product Number	Description	Polished Chrome Finish
7837.016	Vacuum breaker. 3/8" ells and nipples-to-wall for top inlet. Bottom outlet.	