

Sound 'n Lights Monitor

Model Number 71565



Please read these instructions and keep them for future reference.

Includes two AC adaptors to power the transmitter and receiver.
The receiver also runs on battery power (9v alkaline – not included).

Fisher-Price®

A

Consumer Information

Occasionally a consumer may experience a problem with one of our products. If this should happen, please call us toll-free, rather than return this product to the store. Usually we can solve the problem over the telephone or by sending you replacement parts. Please call Fisher-Price® Consumer Affairs, toll-free at **1-800-432-KIDS**, 8 AM - 6 PM EST Monday through Friday. Hearing-impaired consumers using TTY/TDD equipment, please call 1-800-382-7470. Or, write to: Fisher-Price® Consumer Affairs, 636 Girard Avenue, East Aurora, New York 14052.

B

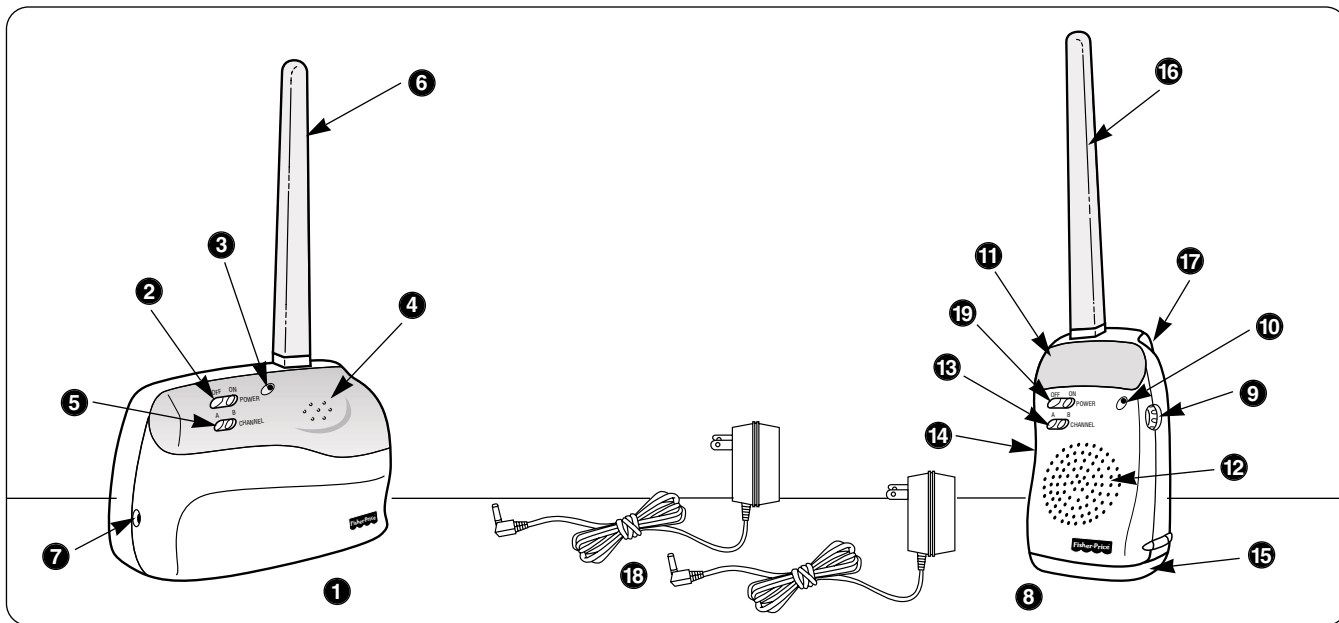
Important Information



CAUTION

This product cannot replace responsible adult supervision of a child.

- Read and follow all instructions in this booklet and on the product for proper use of this product.
- This product is not intended to be used as a medical monitor and its use should not replace adult supervision. It is important that an adult stay within the range of the Sound 'n Lights Monitor at all times during use.
- This product does not detect non-audible functions, such as a child moving.
- It is very important to test the sound reception of the Sound 'n Lights Monitor before first-time use and whenever you change the location of the transmitter. Please see section **F**, Sound Reception, on page 6.
- To prevent entanglement, never place the transmitter in a crib or playpen. Place the transmitter, receiver and AC adaptor cord(s) out of baby's reach.
- To prevent entanglement, do not use extension cords with the AC adaptors.
- The receiver battery should be removed and the AC adaptors should be unplugged from wall outlets when the Sound 'n Lights Monitor is not used for a long period of time.
- Use only the AC adaptors provided with your Sound 'n Lights Monitor. Use of any other adaptor may damage the transmitter and/or receiver.
- Insert the AC adaptor plugs into standard household outlets (120v AC).
- For a good electrical connection, make sure the AC adaptor plug blades are a tight fit in the outlet. If the AC adaptor plug-to-outlet connection is loose, choose another outlet location for the AC adaptor plug.
- Position AC adaptor cords so that they are not walked on or pinched by items placed upon or against them.
- Do not use more than one transmitter and one receiver at the same time in the same house.
- Never use the transmitter or receiver near water. For example, do not use near a bathtub, washbowl, laundry tub, kitchen sink, or wet basement, etc.
- Place the transmitter, receiver and AC adaptors where there is adequate ventilation. To prevent overheating, keep the transmitter, receiver and AC adaptors away from heat sources such as radiators, heat registers, direct sunlight, stoves, amplifiers, or other appliances which produce heat.
- Always remember that you are using public airwaves when you use the Sound 'n Lights Monitor. Conversations, even from rooms near the transmitter, may be broadcast to other nursery monitors, radios, cordless telephones, or scanners outside your home. To protect the privacy of your home, always turn the transmitter off when the Sound 'n Lights Monitor is not in use.
- Any modification of the transmitter or the receiver will violate FCC compliance and can void the user's authority to operate the equipment.
- The Sound 'n Lights Monitor is not designed for consumer repair. If your Sound 'n Lights Monitor is not working properly, please refer to the Problems and Solutions Guide beginning on page 7.

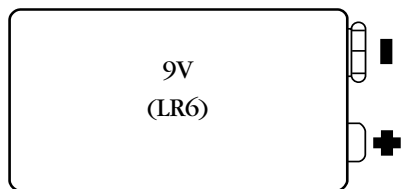


- 1 TransmitterSends (transmits) sounds to the receiver.
- 2 On/Off SwitchTurns the transmitter power “ON” or “OFF”.
- 3 Power IndicatorLights up to let you know the transmitter is “ON”.
- 4 MicrophoneFor clear audio pick-up.
- 5 2-Position Channel Switch . . . Allows you to change channels if interference occurs.
- 6 Flexible AntennaAids in sound transmission.
- 7 AC Adaptor Socket (on side) . . For use with the provided AC adaptor.
- 8 ReceiverReceives signal from the transmitter to hear sound.
- 9 Volume DialControls the volume of sound.
- 10 Power IndicatorLights up to let you know the receiver is “ON”.
- 11 Moving Lights DisplayShows sounds are being transmitted.
- 12 SpeakerAllows you to hear baby’s sounds.
- 13 2-Position Channel Switch . . . Allows you to change channels if interference occurs.
- 14 AC Adaptor Socket (on side) . . For use with the provided AC adaptor.
- 15 Battery Compartment Door . . For easy access to battery compartment.
- 16 Flexible AntennaAids in sound reception.
- 17 Belt Clip (on back)For added portability when moving from room to room.
- 18 AC Adaptors (2 included) . . . Both the transmitter and receiver operate on standard household current (120v AC outlet) with either of these AC adaptors.
- 19 On/Off SwitchTurns the receiver power “ON” or “OFF”.

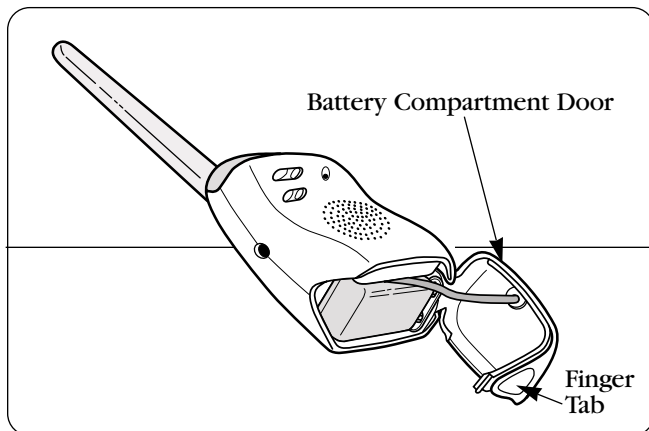
D

Battery Installation

The receiver operates either with the AC adaptor included with your Sound 'n Lights Monitor or with a 9 volt alkaline battery.



Shown Actual Size



- Locate the battery compartment door on the bottom of the receiver.
- Push the finger tab on the battery compartment door to open the battery compartment door.
- Snap the terminals of a fresh 9v alkaline battery into the connectors.
- Close the battery compartment.

Please Note:

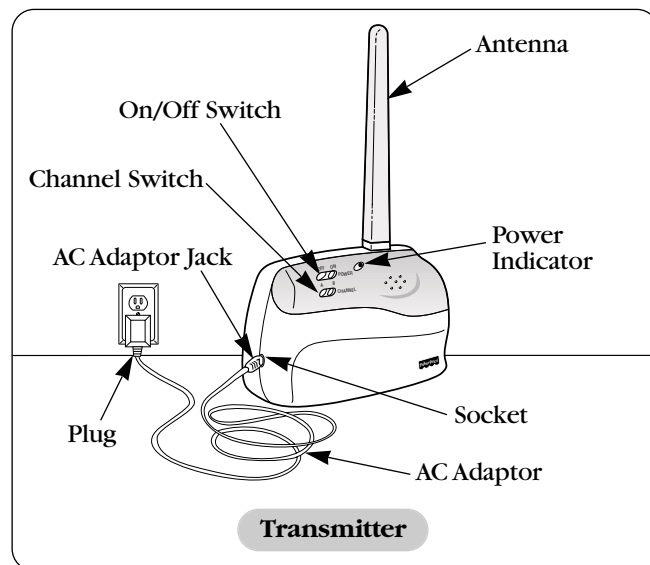
- Remove the battery during long periods of non-use. Always remove an exhausted battery from the product. Battery leakage and corrosion can damage the product.
- Never short circuit the battery terminals.
- A non-rechargeable battery is not to be recharged.
- Only a battery of the same or equivalent type as recommended in the "Battery Installation" instructions is to be used.

- If a removeable rechargeable battery is used, it is only to be charged under adult supervision.
- A rechargeable battery is to be removed from the product before it is charged.
- If you use a battery charger, it should be examined regularly for damage to the cord, plug, enclosure and other parts. Do not use a damaged battery charger until it has been properly repaired.

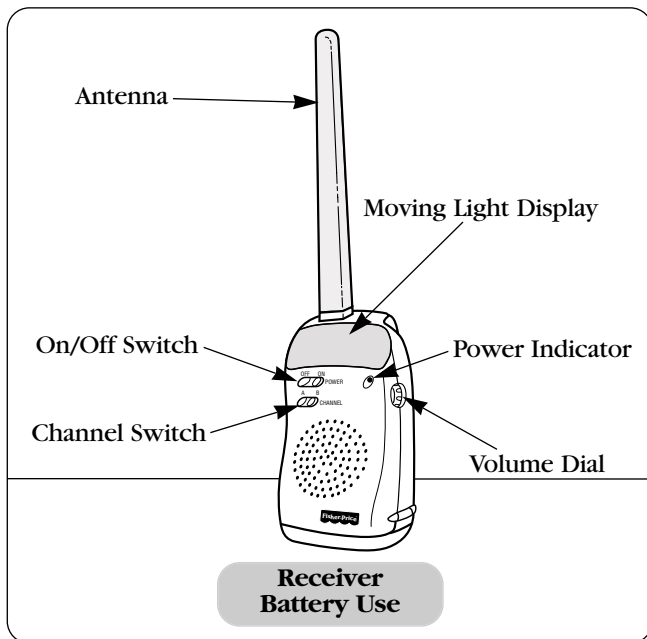
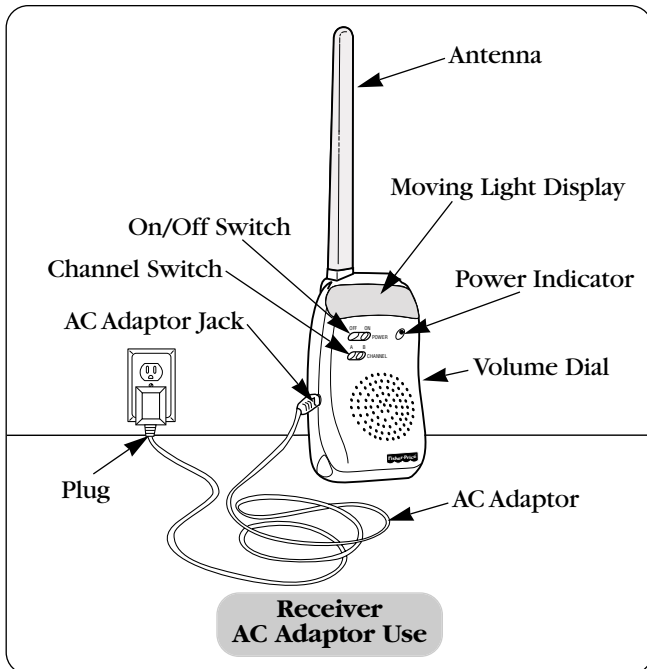
E

Set-Up and Use

IMPORTANT NOTE! To prevent entanglement, never place the transmitter in a crib or playpen. Place the transmitter, receiver and AC adaptor cord(s) out of baby's reach.



- Place the transmitter in the same room with your child. For best sound pick-up, point the microphone directly toward the crib or play area. Make sure the antenna points upward for best transmission.
- For best transmission, unwrap and fully extend the AC adaptor cord. Insert the AC adaptor jack into the transmitter socket.
- Insert the plug into a standard wall outlet.
- Set the transmitter channel switch to the same channel as the receiver.
- Slide the on/off switch on the front of the transmitter to the "ON" position. The power indicator will light.



- If you will be using the AC adaptor to power the receiver, unwrap and fully extend the AC adaptor cord for best reception. Insert the AC adaptor jack into the side of the receiver.
 - Insert the plug into a standard wall outlet.
 - Check to be sure the channel switch on the receiver is set to the same channel as the transmitter.
 - Slide the on/off switch on the front of the receiver to the “ON” position. The power indicator will light.
 - Adjust the volume by turning the volume dial to a comfortable level.
 - The moving light display will light when sound is received by the receiver.
 - If all five bars in the moving light display light:
 - The receiver power is “ON” and the transmitter power is “OFF”. (Turn the transmitter power “ON”.)
 - The receiver is out of range of the transmitter. (Move the receiver closer to the transmitter.)
 - The receiver and the transmitter are not on the same channel. (Set the channel switches on the transmitter and receiver to the same channel.)
 - Loud sounds are transmitting.
- Please Note:** The moving light display will not light if the battery is weak, even though you may still hear sounds. Replace the battery with a fresh, 9v alkaline battery.
- To protect your privacy, be sure to turn the transmitter and receiver “OFF” when not in use.

- Decide whether you will use the AC adaptor or a 9v alkaline battery to power the receiver. If you will be using the receiver near an outlet, we recommend using the AC adaptor.
- Place the receiver where you can hear/see it. Or, wear the receiver using the convenient belt clip. Make sure the antenna points upward for best reception.

F

Sound Reception

It is very important to test the sound reception of the Sound 'n Lights Monitor before first-time use and whenever you change the location of the transmitter.

- Test the Sound 'n Lights Monitor transmission and reception. In the room you intend to use the transmitter, have an adult speak into the transmitter. (If an adult is not available, use a ticking clock or radio.) Place the receiver in the room in which you intend to use the receiver. Adjust the receiver location or volume dial until you hear sounds clearly.
- If you experience interference (buzzing, static, etc.) while using one channel setting, switch both units to the other channel. Selecting a channel is usually a one-time adjustment.
- If interference occurs on both channels or if further problems develop, please refer to the "Problems and Solutions Guide" beginning on page 7.

G

Care

- Keep the Sound 'n Lights Monitor free from dust.
- The outer surface of the transmitter and receiver can be cleaned with a cloth lightly dampened with a mild cleaning solution.
- Do not immerse any part of the Sound 'n Lights Monitor.

H

FCC Note (United States only)

Sound 'n Lights Monitor

Model Number: 1565

This device complies with Part 15 of the FCC Rules.

Operation is subject to the following two conditions:

- (1) This device may not cause harmful interference and
- (2) This device must accept any interference received, including interference that may cause undesired operation.

Fisher-Price, Inc.

Consumer Affairs Department

636 Girard Avenue

East Aurora, New York 14052

I

One (1) Year Limited Warranty

Fisher-Price, Inc., 636 Girard Avenue, East Aurora, New York 14052, warrants that the Sound 'n Lights Monitor is free from all defects in material and workmanship when used under normal conditions for a period of one (1) year from the date of purchase.

Should the product fail to perform properly, we will repair or replace it, free of charge. Purchaser is responsible for shipping the product to the address indicated above and for all associated freight and/or insurance cost. Fisher-Price, Inc. will bear the cost of shipping the repaired or replaced item to you. This warranty is void if the owner repairs or modifies the product. This warranty excludes any other liability other than the above mentioned, including but not limited to any incidental or consequential damages.

SOME STATES DO NOT ALLOW THE EXCLUSION OR LIMITATION OF INCIDENTAL OR CONSEQUENTIAL DAMAGES, SO THE ABOVE LIMITATION OR EXCLUSION MAY NOT APPLY TO YOU.

THIS WARRANTY GIVES YOU SPECIFIC LEGAL RIGHTS, AND YOU MAY ALSO HAVE OTHER RIGHTS WHICH VARY FROM STATE TO STATE.

Important Note: The electronic components in the Sound 'n Lights Monitor are not designed for consumer repair. Evidence of any attempt at consumer repair will void the warranty. Return the AC adaptors, transmitter and receiver (please remove the battery from the receiver before sending to Fisher-Price, Inc. for service).



Problems and Solutions Guide

IMPORTANT! If you have a problem with the Sound 'n Lights Monitor, first check the Problems and Solutions Guide below. If you still experience a problem with the Sound 'n Lights Monitor, call Fisher-Price® Consumer Affairs, toll-free at 1-800-432-KIDS, 8 AM - 6 PM EST Monday through Friday.

Hearing-impaired consumers using TTY/TDD equipment, please call 1-800-382-7470. Or, write to: Fisher-Price® Consumer Affairs, 636 Girard Avenue, East Aurora, New York 14052.

PROBLEM	PROBABLE CAUSE	SOLUTION
Transmitter power indicator does not light	Transmitter not turned "ON"	Turn the transmitter "ON".
	Power is turned "OFF"	Make sure that any light switches that control power flow to the wall outlet are "ON".
		Make sure house fuses and circuit breakers are "ON".
	AC adaptor not properly connected	Check AC adaptor jack-to-socket and plug-to-outlet connections.
AC adaptor problem	Test the transmitter using the other AC adaptor included with this product. If the transmitter works with the other AC adaptor, call Fisher-Price® at 1-800-432-KIDS to replace the broken AC adaptor.	
Receiver power indicator does not light	Receiver not turned "ON"	Turn the receiver "ON".
	Power is turned "OFF"	Make sure that any light switches that control power flow to the wall outlet are "ON".
		Make sure house fuses and circuit breakers are "ON".
	AC adaptor not properly connected	Check AC adaptor jack-to-socket and plug-to-outlet connections.
	AC adaptor problem	Test the receiver using the other AC adaptor included with this product. If the receiver works with the other AC adaptor, call Fisher-Price® at 1-800-432-KIDS to replace the broken AC adaptor.
Weak or dead battery	Replace the battery in the receiver with a fresh 9v alkaline battery or use the AC adaptor.	
No sound	Channel switches not on same setting	Set channel switch on transmitter and receiver to the same channel.
	Signal interference due to other nursery monitors, cordless telephones, etc.	Change the channel setting on both the transmitter and the receiver.
		Identify and eliminate the source of interference.
		Test reception by moving the transmitter and/or receiver to different locations throughout the house. Relocate the transmitter and/or receiver.
	Out of range or insufficient signal	Test reception by moving the transmitter and/or receiver to different locations throughout the house. Relocate the transmitter and/or receiver.
	Volume not turned up	Adjust volume control on receiver.
	Improper antenna position	Make sure the antenna on the transmitter and receiver are pointing upward.
	Weak or dead battery in receiver	Replace the battery in the receiver with a fresh 9v alkaline battery or use the AC adaptor.
AC adaptor not properly connected	Check AC adaptor jack-to-socket and plug-to-outlet connections.	

PROBLEM	PROBABLE CAUSE	SOLUTION
Weak reception	Out of range or insufficient signal	Test reception by moving the transmitter and/or receiver to different locations throughout the house. Relocate the transmitter and/or receiver.
	AC adaptor cord(s) not fully extended	Fully extend AC adaptor cord(s).
	Improper antenna position	Make sure antennas are pointing upward.
Receiver moving light display does not light	Weak or dead battery in receiver	Replace the battery in the receiver with a fresh 9v alkaline battery or use the AC adaptor.
Interference (buzzing, static, etc.)	Signal interference due to other nursery monitors or cordless telephones, etc.	Change channel switch on both transmitter and receiver to the other channel. Identify and eliminate source of interference. Do not use more than one receiver or transmitter at the same time in the same house.
	Channel switches not on same setting	Check channel switch on transmitter and receiver to be sure they are on the same channel.
	Receiver is too close to the transmitter	Move receiver further away from transmitter.
Feedback (squealing or whistling)	Volume is set too high	Lower volume on the receiver.
	Receiver power is "ON" but transmitter power is "OFF"	Turn the transmitter power "ON".
All five bars on the receiver moving light display light	Out of range or insufficient signal	Move the receiver closer to the transmitter.
	Channel switches not on same setting	Check channel switches on transmitter and receiver to be sure they are on the same channel.
	AC adaptor not properly connected to transmitter	Check AC adaptor jack-to-socket and plug-to-outlet connections.

If you have any questions about this product:

In Canada, call 1-800-567-7724, or write to:
Mattel/Fisher-Price, 6155 Freemont Blvd., Mississauga, Ontario L5R 3W2.

In Great Britain, telephone 01734 770488.

In Australia, call the Fisher-Price Australian Consumer Advisory Service toll-free at 1-800-800-812, or write to:
Fisher-Price, Mattel Pty. Limited, 461 Plummer Street, Port Melbourne, Victoria 3207.