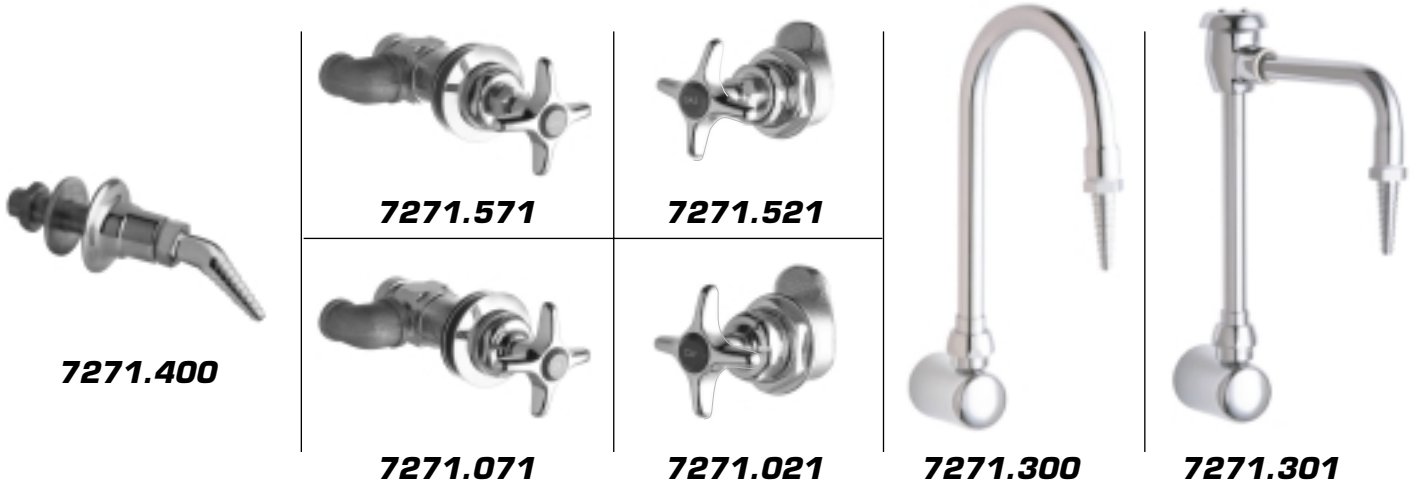


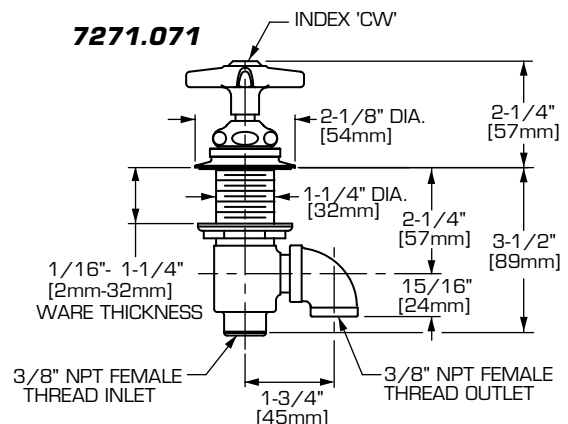
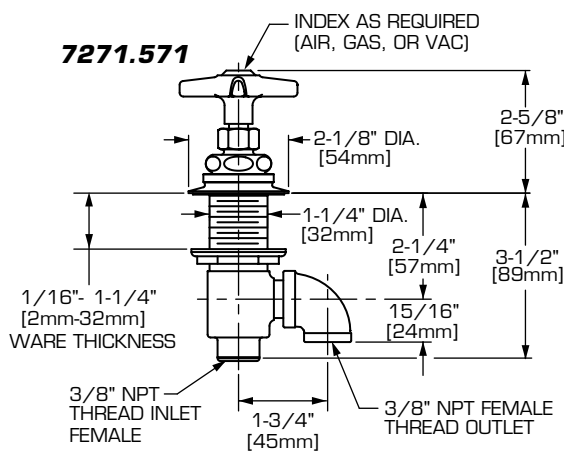
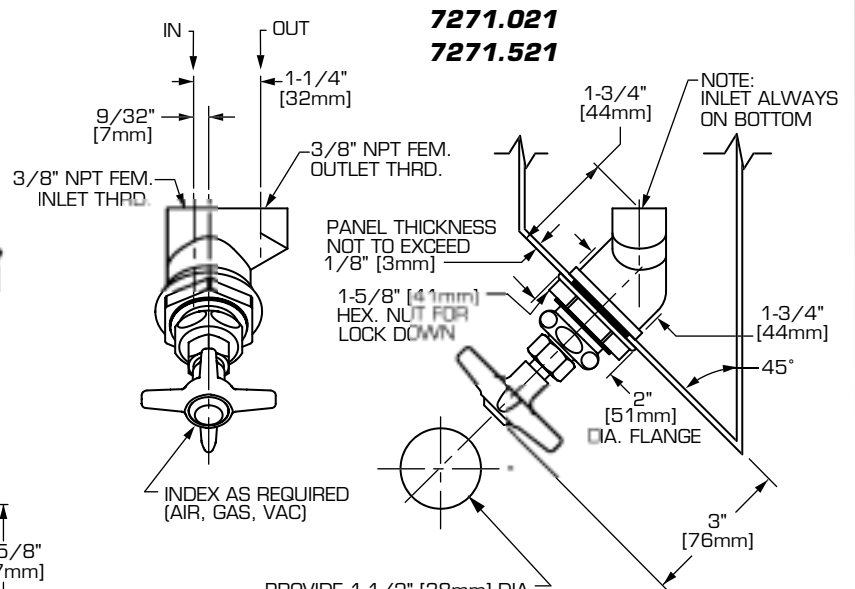
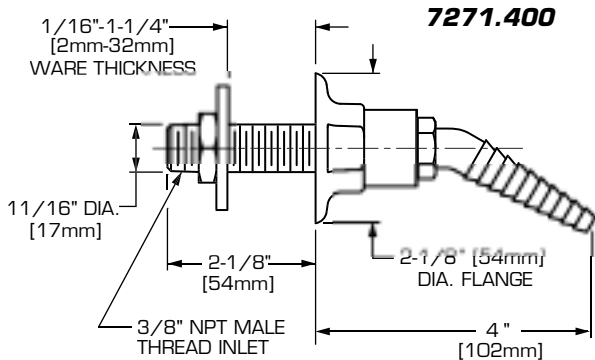
## LABORATORY FUME HOOD FITTINGS

Thank you for selecting American-Standard...the benchmark of fine quality for over 100 years. To ensure that your installation proceeds smoothly—please read these instructions carefully before you begin.



M968484

### ROUGHING-IN DIMENSIONS

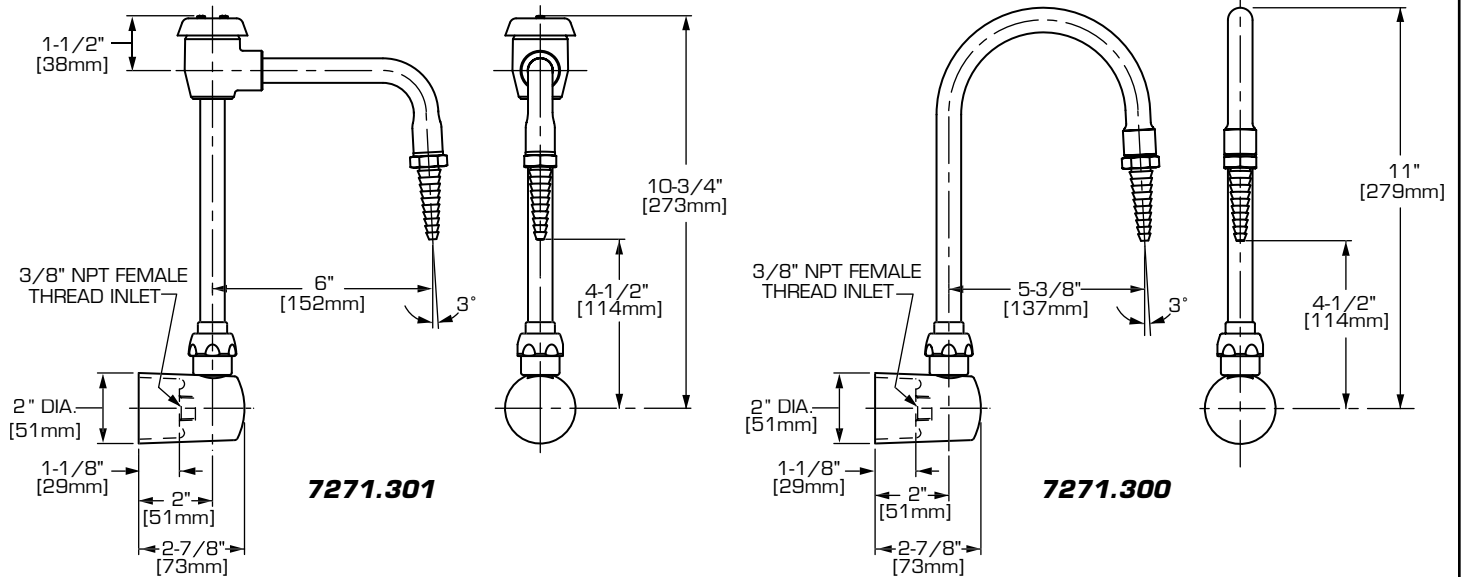


**HOTLINE FOR HELP**  
For toll-free information and answers to your questions, call:  
1 (800) 442-1902

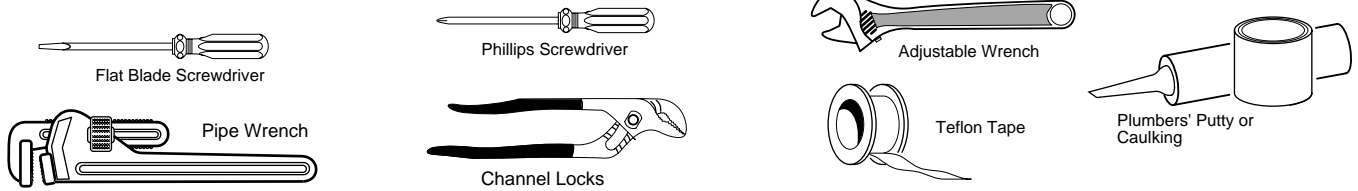
Weekdays  
8:00 to 7:00 p.m. Eastern Time

CANADA  
1-800-387-0369 (TORONTO 1-905-306-1093)

## ROUGHING-IN DIMENSIONS

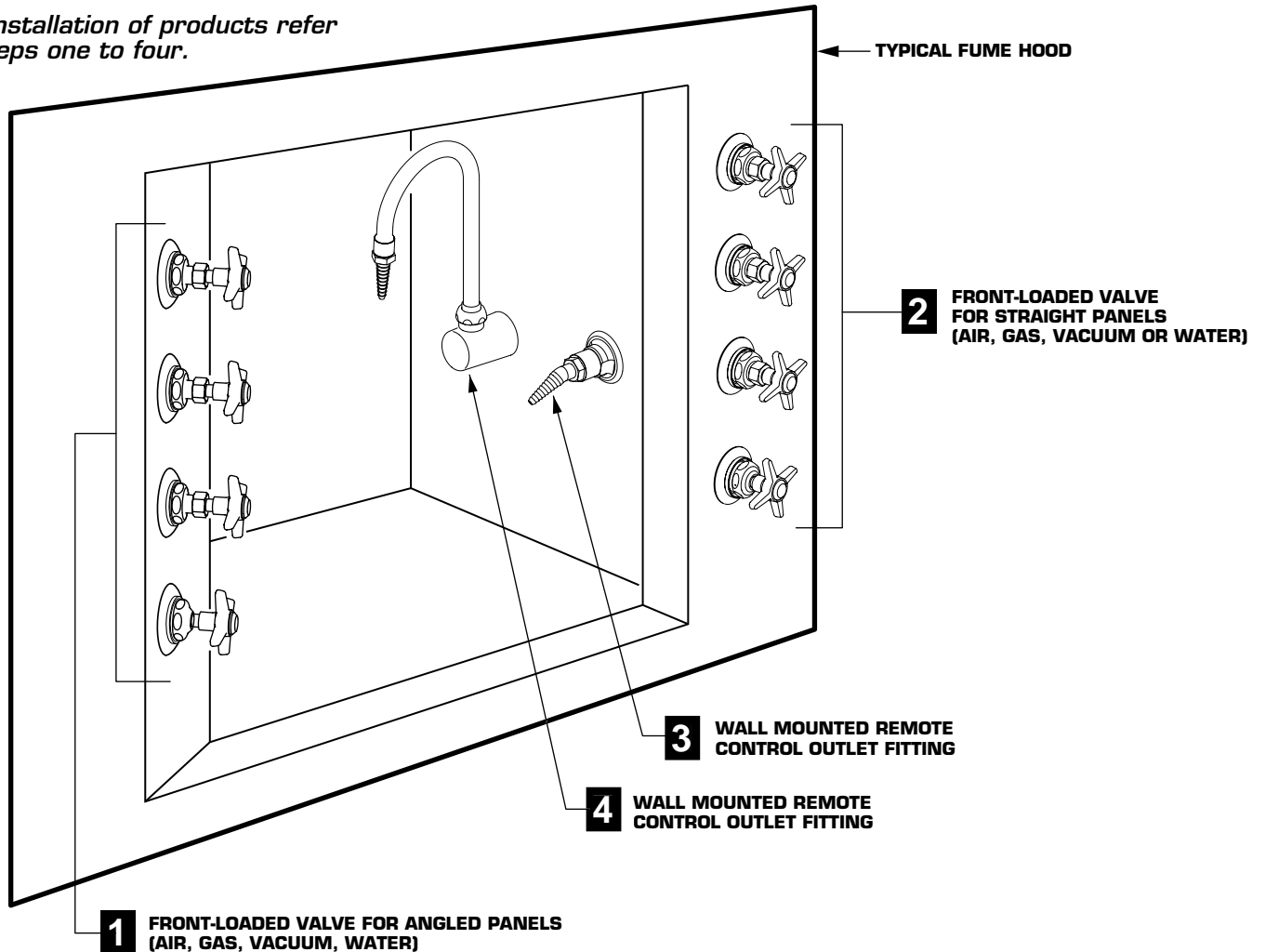


## TOOLS AND SUPPLIES REQUIRED



## FUME HOOD FITTINGS

For installation of products refer to steps one to four.



# 1 INSTALL FRONT-LOADED ANGLE CONTROL VALVE, 7271.021/521 (AIR, GAS, VACUUM, WATER)

## Important service note:

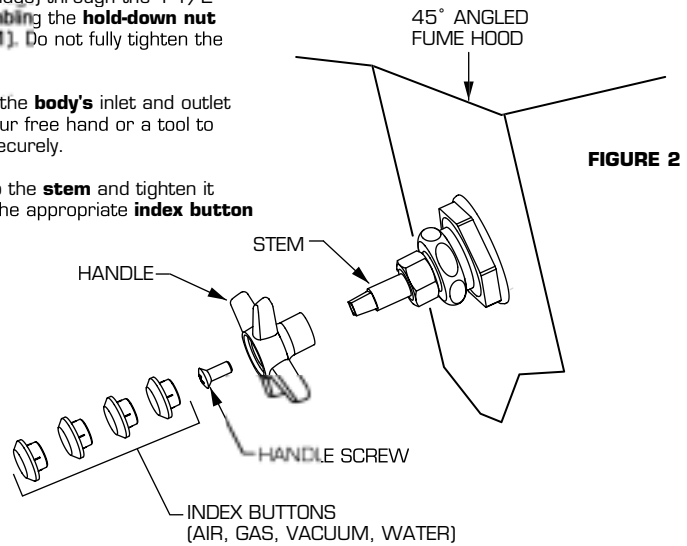
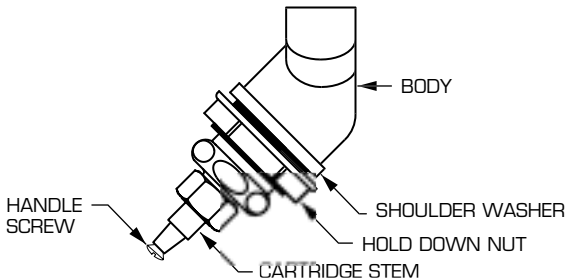
The Faucet Panel mounted fume hood fitting has been designed such that future servicing of the fitting's cartridge can be done from the (user's) side of the fume hood. To do this, insure that the main supply valve to the fitting has been completely turned off and then purged by completely opening the fitting and releasing trapped material into the fume hood atmosphere. Then, support the entire fitting by holding the hold-down nut in place with a wrench, before loosening the cartridge's cap nut.

This Panel mounted fume hood valve has been shipped as shown below to ease installation. It is designed to be installed in a 45° angled fume hood equipped with 1-1/2" (38.1mm) diameter mounting holes. Before proceeding with the installation, identify and familiarize yourself with all of the components.

**Important Note:** The front load fume hood fittings described in these installation instructions are available in both right hand and left hand models. Right hand models are marked on both sides of the body with an "R" and left hand models are similar marked with an "L". Due to the use of these fittings in both right and left hand fume hoods, the bodies are marked on both sides with directional flow arrows. Regardless of the model used, the fittings are designed to be installed such that the inlet is on the bottom.

### IMPORTANT: FLUSH ALL SUPPLY LINES PRIOR TO FITTING INSTALLATION.

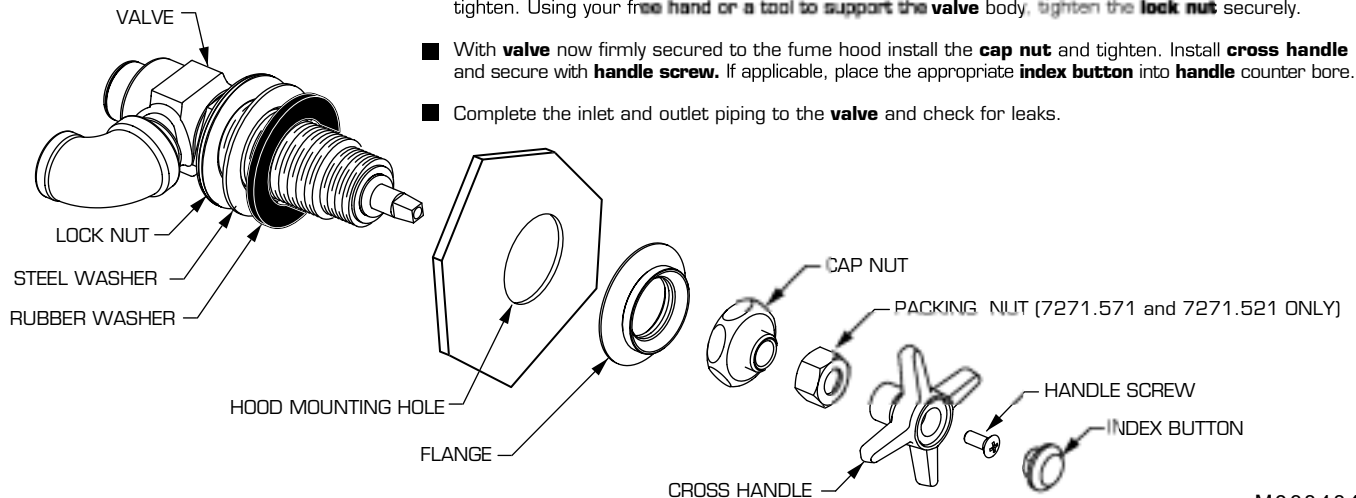
- Remove the **hold-down nut** from the **body** and the **handle screw** from the **stem**. With a pair of pliers or channel locks, insure that the **shoulder washer** has been tightened into place against the **body** such that the threads on the two components lock together.
- Place the front end of the **body** (end which contains the operating cartridge) through the 1-1/2" diameter hole in the fume hood and secure the fitting in place by assembling the **hold-down nut** onto the **body** hand tight from the front of the fume hood (see figure #1). Do not fully tighten the **hold-down nut** at this time.
- Align the mounted fitting from the backside of the fume hood such that the **body's** inlet and outlet are in line and the **body** is parallel to the fume hood's sidewall. Using your free hand or a tool to support the valve **body** from the backside, tighten the **hold-down nut** securely.
- With fitting now firmly secured to the fume hood, place the **handle** onto the **stem** and tighten it into place with the **screw** removed from the **stem**. If applicable, place the appropriate **index button** into **handle** counter bore (see figure #2).
- Complete the inlet and outlet piping to the **fitting** and check for leaks.



# 2 INSTALL FRONT-LOADED VALVE FOR STRAIGHT PANELS, 7271.071/571 (AIR, GAS, VACUUM, WATER)

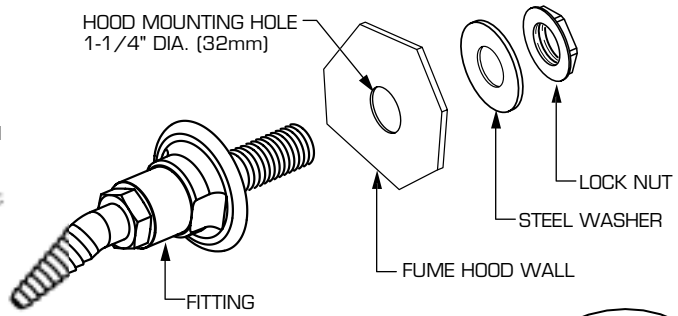
### IMPORTANT: FLUSH ALL SUPPLY LINES PRIOR TO FITTING INSTALLATION.

- Remove **index button**, **handle screw**, **cross handle**, **cap nut**, **packing nut** and **flange** from **valve**. **Rubber seal washer**, **steel washer** and **lock nut** should be installed on valve shank. Install the **valve** from back of fume hood panel.
- Align the mounted **valve** from the backside of the fume hood such that the **valve's** inlet and outlet are in line and the **valve** is parallel to the fume hood's sidewall. Assemble **flange** onto **valve** and tighten. Using your free hand or a tool to support the **valve** body, tighten the **lock nut** securely.
- With **valve** now firmly secured to the fume hood install the **cap nut** and tighten. Install **cross handle** and secure with **handle screw**. If applicable, place the appropriate **index button** into **handle** counter bore.
- Complete the inlet and outlet piping to the **valve** and check for leaks.



### 3 WALL MOUNTED REMOTE CONTROL END FITTING, 7271.400

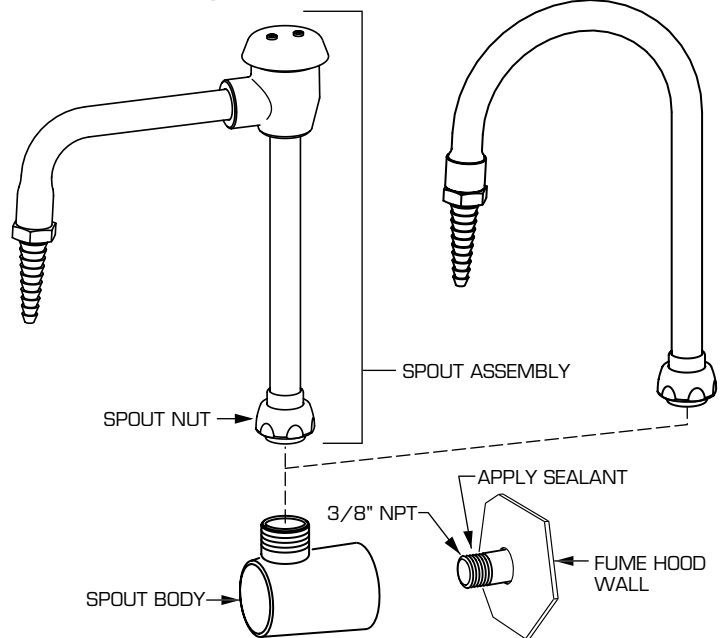
- Remove **lock nut** and **steel washer** from fitting.
- Align and mount **fitting** from the front side of the fume hood. Using your free hand or a tool to support the **fitting** body and install **steel washer** and **lock nut**. Tighten the **lock nut** securely.
- With **fitting** now firmly secured to the fume hood complete the **inlet** piping to the **fitting**. (See rough-in for piping requirements).
- Turn supply to **fitting** on and check for leaks.



### 4 WALL MOUNTED REMOTE CONTROL OUTLET FITTING (GOOSE NECK SPOUTS), 7271.300/301

*Note: See roughing-in to determine pipe nipple length from side wall.*

- Turn **spout nut** counter clock-wise to loosen and remove **spout assembly** from **fitting base**.
- Apply appropriate sealant to male threads of 3/8" **pipe nipple** (See rough-in for piping requirements).
- Thread **spout body** onto **pipe nipple** and align so that **spout assembly** is vertical.
- Thread **spout assembly** onto **spout body** and tighten.
- Turn supply to **fitting** on and check for leaks.



#### CARE INSTRUCTIONS:

**DO: SIMPLY RINSE THE PRODUCT CLEAN WITH CLEAR WATER. DRY WITH A SOFT COTTON FLANNEL CLOTH.**  
**DO NOT: CLEAN THE PRODUCT WITH SOAPS, ACID, POLISH, ABRASIVES, HARSH CLEANERS, OR A CLOTH WITH A COARSE SURFACE.**

## American Standard AVAILABLE REPAIR PARTS

<p>GAS Index <b>M962313-0070A</b></p> <p>AIR Index <b>M962314-0070A</b></p> <p>VAC Index <b>M962315-0070A</b></p> <p>CW Index <b>M962312-0070A</b></p> <p>HANDLE <b>M962310-0020A</b></p> <p>CARTRIDGE <b>M962336-0070A</b></p> <p>CARTRIDGE <b>M962329-0070A LH</b> <b>M962330-0070A RH</b></p> <p><b>7271.071</b></p>	<p>GAS Index <b>M962313-0070A</b></p> <p>AIR Index <b>M962314-0070A</b></p> <p>VAC Index <b>M962315-0070A</b></p> <p>CW Index <b>M962312-0070A</b></p> <p>HANDLE <b>M962310-0020A</b></p> <p>CARTRIDGE <b>M962336-0070A</b></p> <p>CARTRIDGE <b>M962329-0070A LH</b> <b>M962330-0070A RH</b></p> <p><b>7271.021</b></p>	<p>VACUUM BREAKER REPAIR KIT <b>M962322-0070A</b></p> <p>GOOSENECK SPOUT <b>M962316-0020A</b></p> <p>GOOSENECK VACUUM BREAKER SPOUT <b>M962317-0020A</b></p> <p>SERRATED TIPS <b>M962318-0020A</b></p> <p><b>7271.300</b></p> <p><b>7271.301</b></p>
---	---	--

**7271.400**