

DOUBLE BOWL KITCHEN SINK (shown)

- 7144.803 3-Hole
- 7144.804 4-Hole
- 7144.805 5-Hole

Product Features:

- Acid-resisting enameled steel
- Double bowl design
- Self-rimming installation
- Available in 3, 4 or 5 faucet hole configurations
- Silicone sealant supplied

Nominal Dimensions: 838 x 559 x 184mm
(33" x 22" x 7-1/4")

Bowl sizes:

359mm (14-1/8") wide, 413mm (16-1/4") front to back, 178mm (7") deep

Compliance Certifications -

Meets or Exceeds the Following Specifications:

- ASME A112.19.4M for Enameled Steel Plumbing Fixtures



SINGLE BOWL KITCHEN SINK

- 7143.803 3-Hole
- 7143.804 4-Hole

Product Features:

- Acid-resisting enameled steel
- Single bowl design
- Self-rimming installation
- Available in 3 or 4 faucet hole configurations
- Silicone sealant supplied

Nominal Dimensions: 635 x 559 x 184mm
(25" x 22" x 7-1/4")

Bowl sizes:

552mm (21-3/4") wide, 413mm (16-1/4") front to back, 178mm (7") deep

Compliance Certifications -

Meets or Exceeds the Following Specifications:

- ASME A112.19.4M for Enameled Steel Plumbing Fixtures

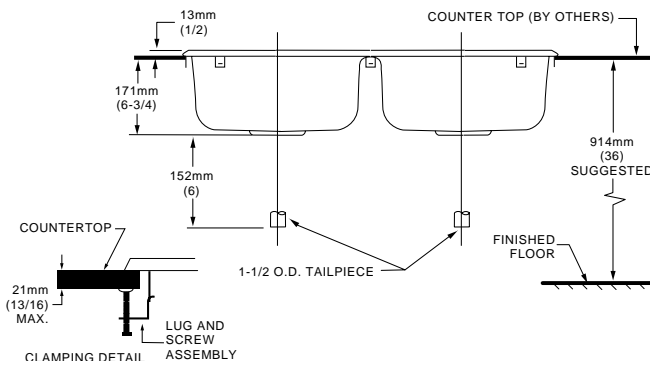
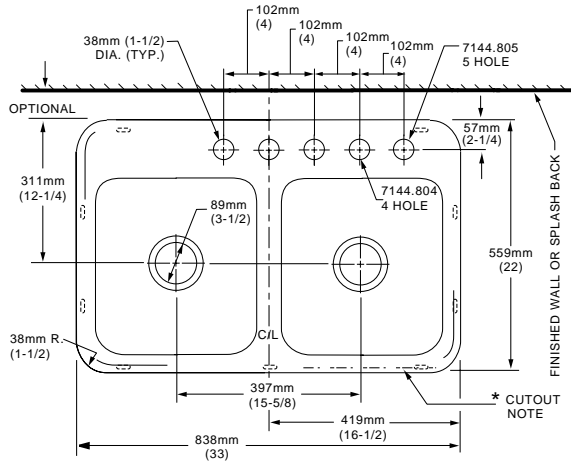
To Be Specified

- Color: (specify White Heat, Bone, or Bisque)
- Faucet*: (specify finish)
- Basket Strainer: 4331.013 (Chrome only)
- Soap Dispenser*: 4503.115 (specify color)
- Trap:

* See faucet section for additional models available

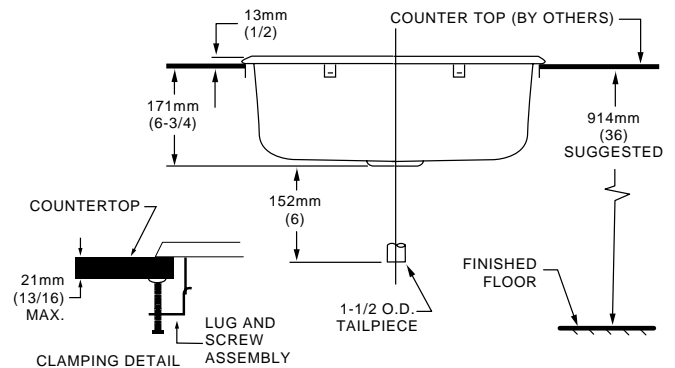
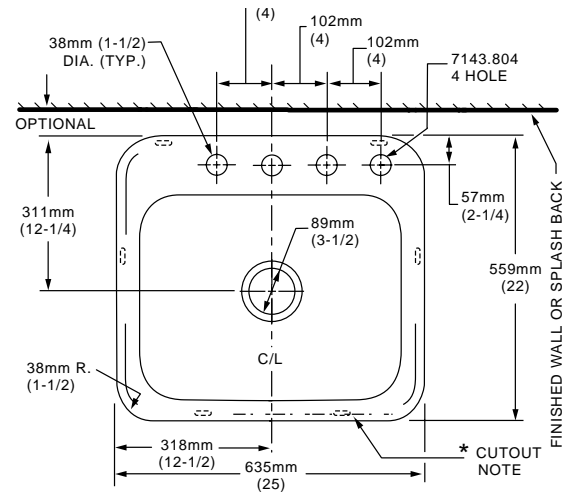
ROUGHING-IN DIMENSIONS SHOWN ON REVERSE SIDE OF PAGE

7144.803/804/805



NOTES:
 COUNTERTOP CUTOUT 800 x 521mm WITH 19mm RADIUS (31-1/2" x 20-1/2" WITH 3/4" RADIUS) AT CORNERS.
 PROVIDE SUITABLE REINFORCEMENT FOR WALL AND COUNTERTOP SUPPORTS.
 STRAINERS NOT INCLUDED AND MUST BE ORDERED SEPARATELY.
Important: Dimensions of fixtures are nominal and may vary within the range of tolerances established by ANSI Standard A112.19.4
 These measurements are subject to change or cancellation. No responsibility is assumed for use of superseded or voided pages.

7143.803/804



NOTES:
 COUNTERTOP CUTOUT 597 x 521mm WITH 19mm RADIUS (23-1/2" x 20-1/2" WITH 3/4" RADIUS) AT CORNERS.
 PROVIDE SUITABLE REINFORCEMENT FOR WALL AND COUNTERTOP SUPPORTS.
 STRAINERS NOT INCLUDED AND MUST BE ORDERED SEPARATELY.
Important: Dimensions of fixtures are nominal and may vary within the range of tolerances established by ANSI Standard A112.19.4
 These measurements are subject to change or cancellation. No responsibility is assumed for use of superseded or voided pages.