



SPREAD LAVATORY FAUCET

Thank you for selecting American-Standard...the benchmark of fine quality for over 100 years.

To ensure that your installation proceeds smoothly—please read these instructions carefully before you begin.

Installation Instructions

2881



Certified to comply with ANSI A112.18.1M
M968211

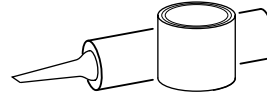
TOOLS REQUIRED



Channel Locks



Adjustable Wrench



Plumbers' Putty or Caulking



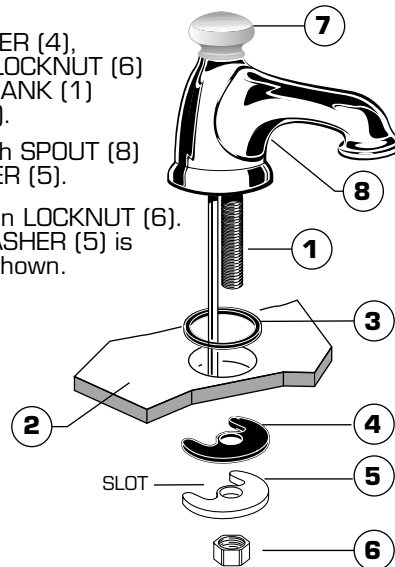
Phillips Screwdriver

1 SPOUT ASSEMBLY

CAUTION

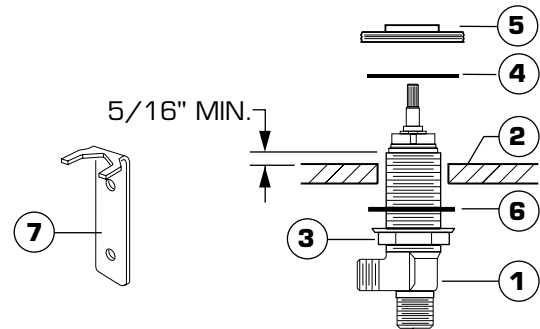
Turn off hot and cold water supplies before beginning.

- Insert SPOUT SHANK (1) through center hole of SINK (2). Make sure RING WASHER (3) is properly positioned into SPOUT BASE.
- Assemble RUBBER WASHER (4), BRASS WASHER (5) and LOCKNUT (6) onto threads of SPOUT SHANK (1) from underside of SINK (2).
- Insert LIFT ROD (7) through SPOUT (8) and slot of BRASS WASHER (5).
- Align SPOUT (8) and tighten LOCKNUT (6). Be sure slot in BRASS WASHER (5) is positioned to the rear as shown.



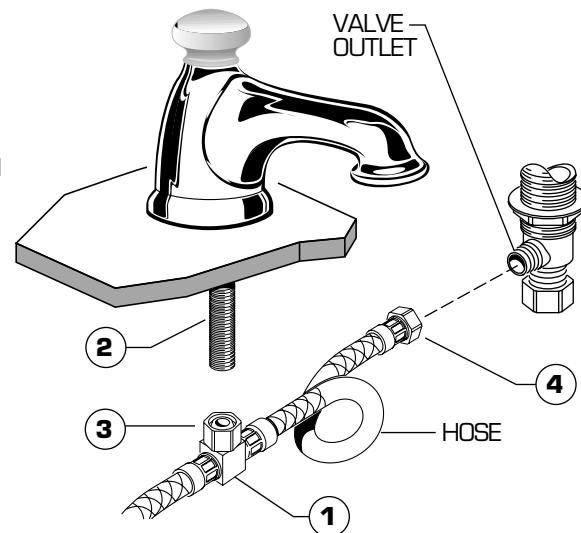
2 VALVE INSTALLATION

- Insert VALVE BODY (1) through hole from underside of SINK (2). Threads of VALVE BODY (1) should extend at least 5/16 inch above SINK (2) top. If necessary, adjust LOCKNUT (3). Make sure RUBBER WASHER (6) is installed.
- Place RUBBER RING (4) on SINK (2) and screw DECK ADAPTER (5) onto VALVE BODY (1) until snug against internal stop.
- Set VALVE BODIES (1, 1A) so that their outlets are facing toward center of sink and then tighten LOCKNUT (3) using WRENCH (7) supplied with faucet.



3 TEE AND HOSE INSTALLATION

- Connect TEE (1) to SPOUT SHANK (2). Tighten COUPLING NUT (3).
- Connect COUPLING NUTS (4) of HOSE to each valve outlet and tighten securely.



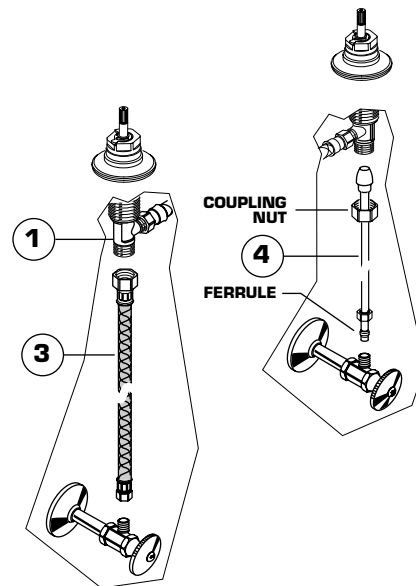
HOT LINE FOR HELP
For toll-free information and answers to your questions, call:
1 (800) 223-0068
Weekdays 8:00 a.m. to 8:00 p.m. EST
IN CANADA 1-800-387-0369 (TORONTO 1-905-306-1093)
Weekdays 8:00 a.m. to 7:00 p.m. EST

Product names listed herein are trademarks of American Standard Inc.
© American Standard Inc. 2002

4 MAKE WATER SUPPLY CONNECTIONS

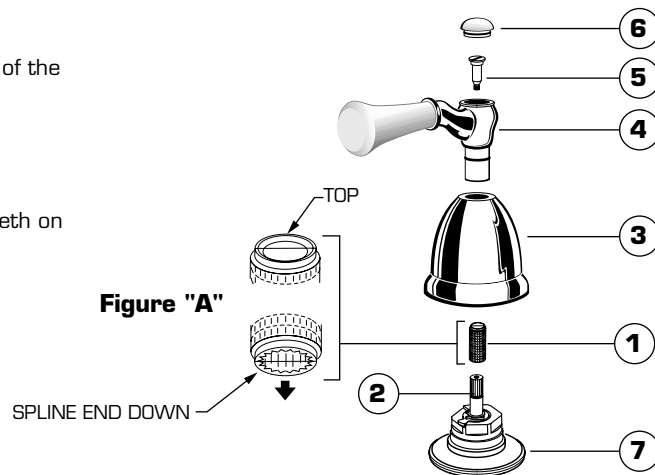
NOTE: FLEXIBLE SUPPLIES OR BULL-NOSE RISERS MUST BE PURCHASED SEPARATELY.

- Connect water supply to FAUCET (1) with 1/2" IPS FLEXIBLE SUPPLIES (3) or 3/8" O.D. BULL-NOSE RISERS (4). Use wrench to tighten connections.
- Do not over tighten. Be careful not to kink copper supply when bending. Use tubing cutter to cut to proper length.



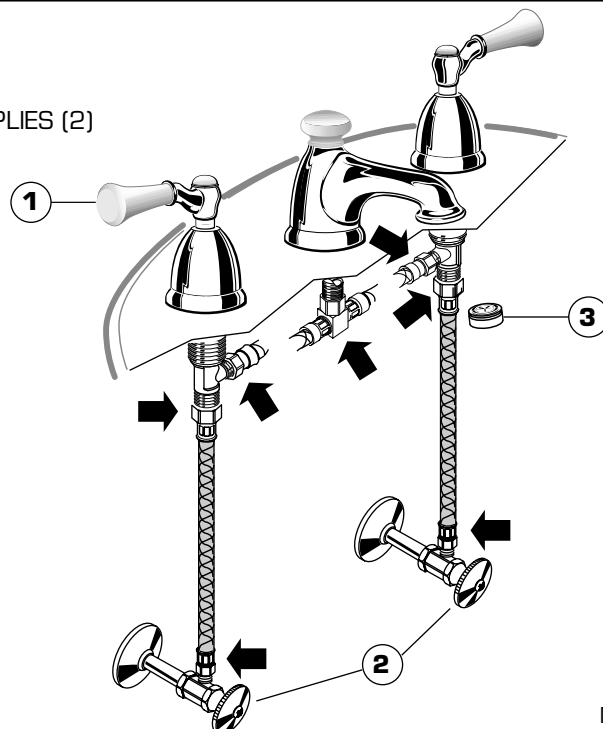
5 INSTALL HANDLES

- Push ADAPTER (1) on VALVE STEM (2), so that the hole of the ADAPTER (1) without spline is facing up. See figure "A".
- Thread HANDLE BASE (3) onto DECK ADAPTER (7)
- Push HANDLE (4) onto ADAPTER (1).
- Find correct position of HANDLE (4) by adjusting male teeth on ADAPTER (1) to female teeth in HANDLE (4).
- Secure HANDLE (4) with HANDLE SCREW (5).
- Push INDEX CAP (6) in hole of HANDLE (4).
- Push INDEX CAP (6) in hole of HANDLE (4).



6 TEST INSTALLED FITTING

- With HANDLES (1) in OFF position, turn on WATER SUPPLIES (2) and check all connections for leaks.
- Remove AERATOR (3).
- Operate both HANDLES to flush water lines thoroughly.
- Replace AERATOR (3).



7 INSTALL POP-UP DRAIN

- Push Tail piece (11) down into Trap (C) (threaded end up).
- Thread Locknut (5), Washer (4) and Gasket (3) (Bevel side up) onto Drain Body (10).
- Apply a bead of Putty (D) to underside of Flange (2).
- Feed Drain Body (10) up through Sink (A) and thread the Flange (2) fully onto Drain Body (10).
- Tighten Locknut (5) firmly, keeping the pivot rod hole pointed towards the back of the sink.
- Assemble Pivot Rod (9) as shown in Figure-4B. Notice the position of the Concave Washer (G).
- Insert Pivot Rod (9) into Drain Body (10) and tighten Pivot Nut (F).
- Push TAILPIECE INSERT (12) into TAILPIECE (11) and push TAILPIECE up and thread tightly into DRAIN BODY (10).
- Position Extension Rod (7) onto Pop-Up Rod (E) and tighten Thumbscrew (6).
- Remove one end of Clip (8) from Pivot Rod (9) by squeezing ends together while sliding.
- Insert Pivot Rod (9) into second or third hole in Extension Rod (7) and reassemble Clip (8).
- Drop Stopper (1) into Drain Body (10).
- Adjust stopper height by repositioning Extension Rod (7) and tightening Thumbscrew (6).

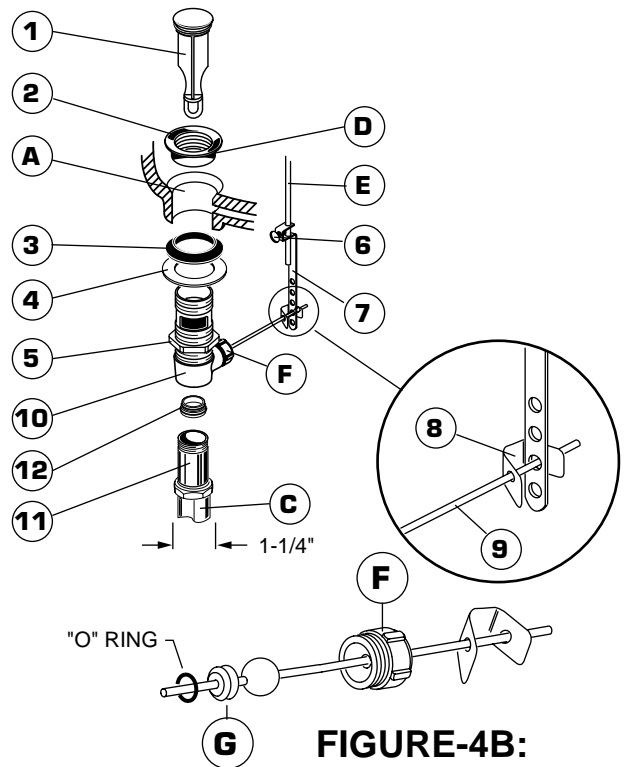
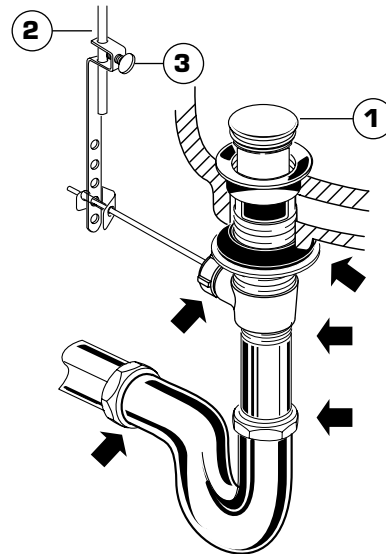


FIGURE-4B:

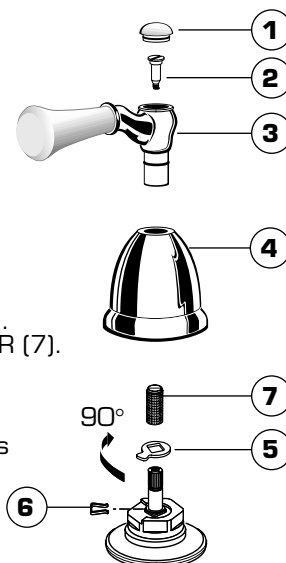
8 CHECK DRAIN CONNECTIONS

- Operate Lift Rod and fill lavatory with water. Check that DRAIN STOPPER (1) makes a good seal and retains water in lavatory. Adjust stopper height by repositioning Lift Rod (2) and tightening Thumbscrew (3).
- Release DRAIN STOPPER (1) and check all drain connections and "P" trap for leaks. Tighten if necessary.



9 SERVICE

- To change direction of handle rotation, proceed as follows:
 - Turn valve to OFF position.
 - Pull out INDEX CAP (1) and remove HANDLE SCREW (2).
 - Pull off HANDLE (3), and unscrew ESCUTCHEON (4).
 - Pull off STEM ADAPTER (7).
 - Remove SPRING CLIP (6).
 - Lift STOP WASHER (5), turn 90° and replace.
 - Replace SPRING CLIP (6) and STEM ADAPTER (7).
 - Reinstall ESCUTCHEON (4) and HANDLE ASSEMBLY (1, 2 & 3).
- If spout drips, operate handles several times from OFF to ON position. Do not force - handles turn only 90°.



10 CARE INSTRUCTIONS:

DO: SIMPLY RINSE THE PRODUCT CLEAN WITH CLEAR WATER. DRY WITH A SOFT COTTON FLANNEL CLOTH.

DO NOT: CLEAN THE PRODUCT WITH SOAPS, ACID, POLISH, ABRASIVES, HARSH CLEANERS, OR A CLOTH WITH A COARSE SURFACE.