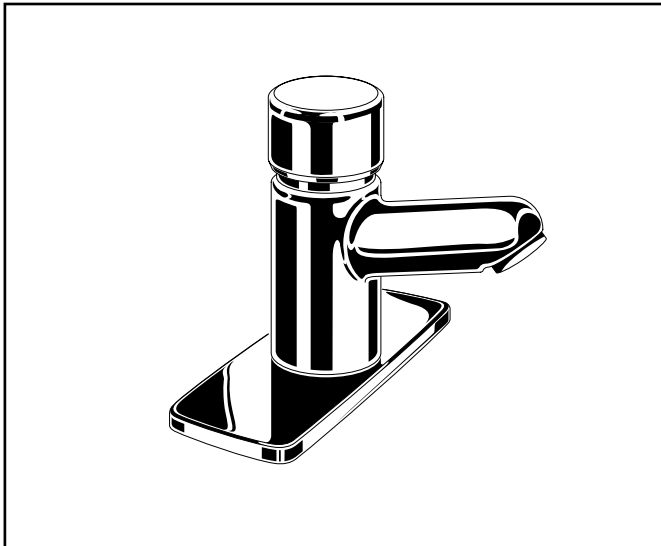


American Standard



GENERAL DESCRIPTION:

Vandal-resistant brass body and cap. Replaceable valve cartridge. One-half inch male NPSM shank with vandal-resistant mounting and brass escutcheon plate (use is optional). Operating range from 20 to 125 psi. Adjustable flow cycle from 7 to 40 seconds (factory preset at a minimum of 10 seconds). Vandal-resistant spray end with 1.5 gpm flow control maintains flow below 0.25 gallons per cycle. Push button activator requires less than 5 lbs. of force to operate. Available with mixing valve and built-in checks or without mixing valve for use with cold or tempered water.

PRODUCT FEATURES:

Vandal-Resistant Brass Body, Cap, and Mounting:

Durable - Excellent in high use applications.

Automatic Shut-off: Stops water and energy waste. Ideal for public restrooms where uncontrolled water usage is costly.

Meets ADA Standard: Requires less than 5 lbs. of operating force to initiate flow per ANSI A117.1.

Single Handle Design: Eliminates the possibility of scalding which can occur with two handle designs - when the cold side turns off before the hot.

Adjustable Flow Cycle: Can be easily adjusted from 7 to 40 seconds.

Replaceable Valve Cartridge: Facilitates simple replacement.

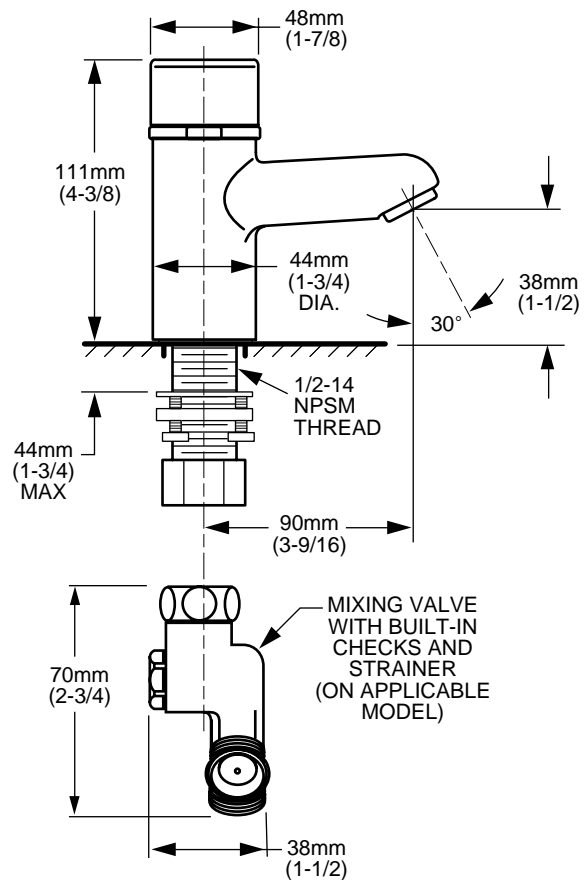
Mixing: Provides tempered mixed water for faucet. Includes a field adjustable mixing valve with built-in checks and built-in cleanable strainer to protect valve from line debris (on applicable model).

COMMERCIAL

SINGLE CONTROL METERING FAUCET

MODEL NUMBER:

- 1340M.000 Vandal Resistant Metering Faucet with mixing valve.**
Built-in strainer and checks. Escutcheon plate (use is optional).
- 1340M.000X Vandal Resistant Metering Faucet with mixing valve.**
Built-in strainer and checks. Less escutcheon plate.
- 1340.000 Vandal Resistant Metering Faucet less mixing valve.**
Single supply for cold or tempered water. Escutcheon plate (use is optional).



NOTE: Dimensions are shown for product installed less escutcheon.
Escutcheon is: 160mm (6-5/16) long
64mm (2-1/2) deep
5mm (3/16) height

SUGGESTED SPECIFICATION

Single control metering faucet shall feature a vandal-resistant brass body, cap and mounting with a replaceable valve cartridge. Shall also feature an adjustable flow cycle from 7 to 40 seconds. Shall also feature a vandal-resistant spray end which maintains flow below the maximum 0.25 gallons per cycle required by ANSI A112.18.1M. Push button activator shall meet ANSI A117.1 Standard. Fitting shall be American Standard Model # 1340.____.____

American Standard

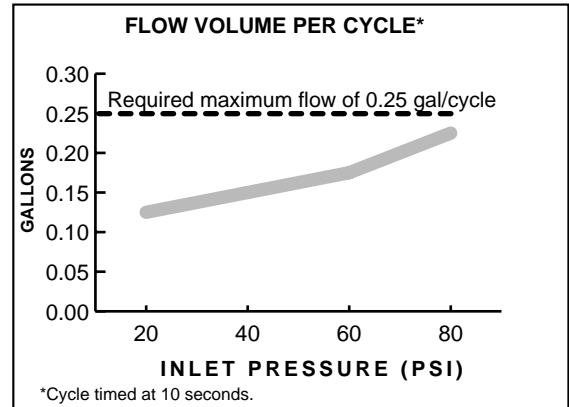
COMMERCIAL

SINGLE CONTROL METERING FAUCET

CODES AND STANDARDS

These products meet or exceed the following codes and standards:

ANSI A117.1
ASME A112.18.1M
CSA B 125



Product Number	Description	Finish
		Polished Chrome
1340M.000	Metering Faucet with mixing valve. Built-in strainer and checks. Optional escutcheon.	002
1340M.000X	Metering Faucet with mixing valve. Built-in strainer and checks. Less escutcheon.	
1340.000	Metering Faucet. Optional escutcheon.	



Meets the American Disabilities Act Guidelines and **ANSI A117.1** Requirements for the physically challenged.