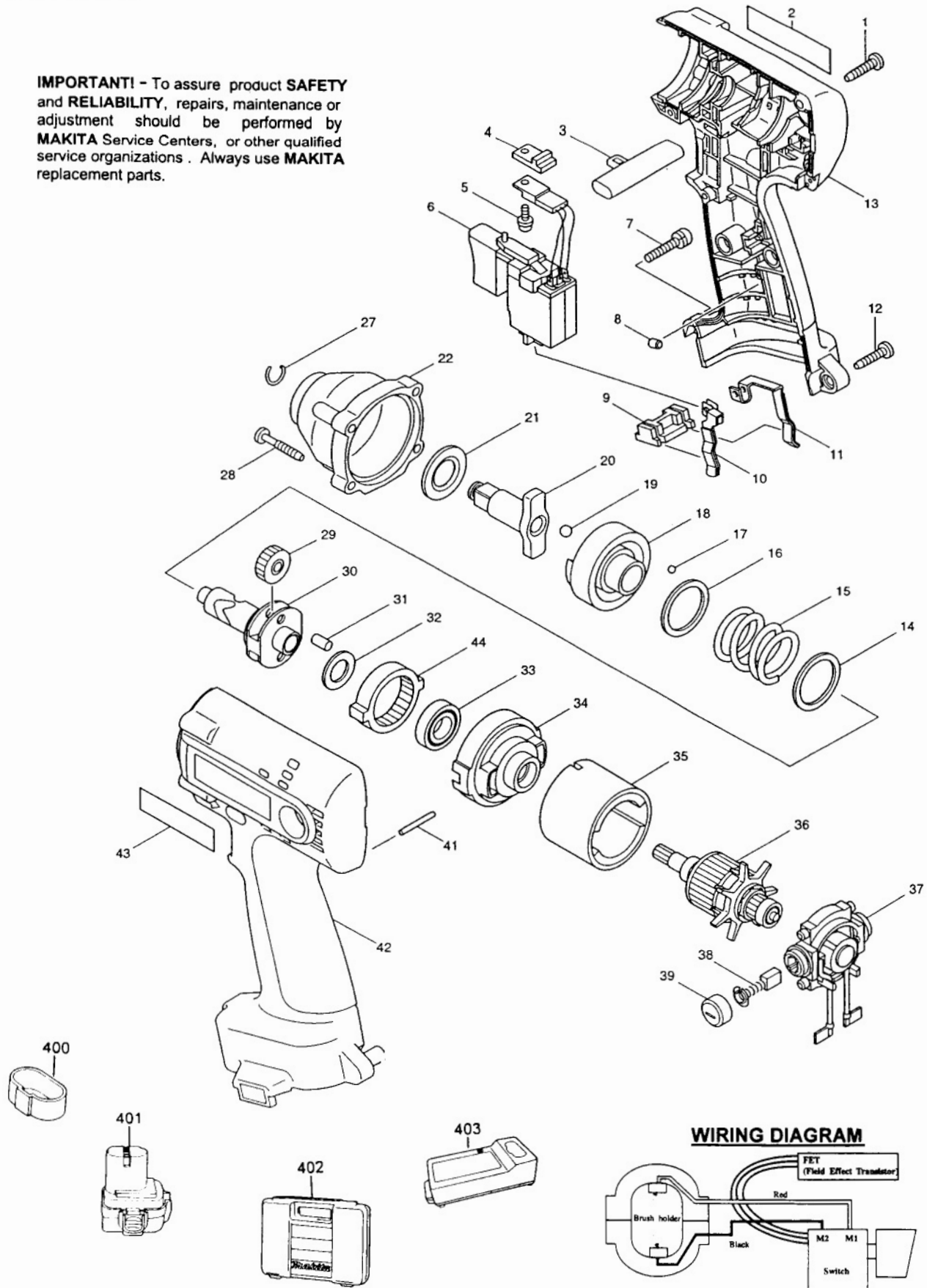
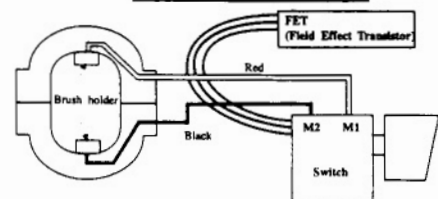




IMPORTANT! - To assure product **SAFETY** and **RELIABILITY**, repairs, maintenance or adjustment should be performed by **MAKITA** Service Centers, or other qualified service organizations. Always use **MAKITA** replacement parts.



WIRING DIAGRAM



| Fig. | Part No. | Qty. Used | Description | Fig. | Part No. | Qty. Used | Description |
|------|----------|-----------|-------------------------------------|--------------------|----------|-----------|---|
| 1 | 265995-6 | 5 | TAPPING SCREW 4X18 | 30 | 323994-5 | 1 | SPINDLE |
| 2 | 852308-6 | 1 | NAME PLATE | 31 | 256253-1 | 2 | PIN 5 |
| 3 | 416079-5 | 1 | F/R CHANGE LEVER | 32 | 267212-0 | 1 | FLAT WASHER 12 |
| 4 | 689096-0 | 1 | FET SPACER | 33 | 211140-1 | 1 | BALL BEARING 6901LLB |
| 5 | 266170-7 | 1 | TAPPING SCREW ST3X8 | 34 | 417268-5 | 1 | INTERNAL GEAR CASE |
| 6 | 651989-1 | 1 | SWITCH | 35 | 632965-4 | 1 | YOKE UNIT |
| 7 | 911143-2 | 1 | PAN HEAD SCREW M4X22 | 36 | 619056-8 | 1 | ARMATURE |
| 8 | 263024-9 | 2 | RUBBER PIN 4 | 37 | 632969-6 | 1 | ENDBELL COMPLETE (Incl. 654069-2, Receptacle) |
| 9 | 687085-9 | 1 | HOLDER | 38 | 191975-5 | 1 | CARBON BRUSH CB-431, Set |
| 10 | 654169-8 | 1 | SPRING TERMINAL (-) | 39 | 643933-2 | 2 | HOLDER CAP |
| 11 | 654168-0 | 1 | SPRING TERMINAL (+) | 41 | 256176-3 | 1 | PIN 2.5 |
| 12 | 265995-6 | 1 | TAPPING SCREW 4X18 | 42 | 183272-3 | 1 | HOUSING SET (Incl. Fig 8, 13,43) |
| 13 | 183272-3 | 1 | HOUSING SET (Incl. Fig. 8,42,43) | 43 | 819063-3 | 1 | MAKITA LABEL |
| 14 | 267175-0 | 1 | FLAT WASHER 24 | 44 | 227001-5 | 1 | INTERNAL GEAR 51 |
| 15 | 233273-2 | 1 | COMPRESSION SPRING 25 | | | | |
| 16 | 267175-0 | 1 | FLAT WASHER 24 | | | | |
| 17 | 216001-0 | 25 | STEEL BALL 3.5 | | | | |
| 18 | 323995-3 | 1 | HAMMER | | | | |
| 19 | 216011-7 | 2 | STEEL BALL 5.6 | | | | |
| 20 | 323993-7 | 1 | ANVIL | | | | |
| 21 | 261108-7 | 1 | NYLON WASHER 14 | | | | |
| 22 | 151947-2 | 1 | HAMMER CASE COMPLETE | 400 | 414938-7 | 1 | BATTERY COVER |
| 27 | 231964-9 | 1 | RING SPRING 7 | 401 | 193156-7 | 1 | BATTERY 9134 SET |
| 28 | 265999-8 | 4 | TAPPING SCREW 4X25 | 402 | 824489-6 | 1 | PLASTIC CARRYING CASE (Incl Slide Latch Set, 186347-7) |
| 29 | 226336-1 | 2 | SPUR GEAR 22 | 403 | DC1411 | 1 | CHARGER, DC1411 |
| | | | | ACCESSORIES | | | |