



SERVICE PARTS LIST

BUL. 54-26-1200

IMPACT WRENCH

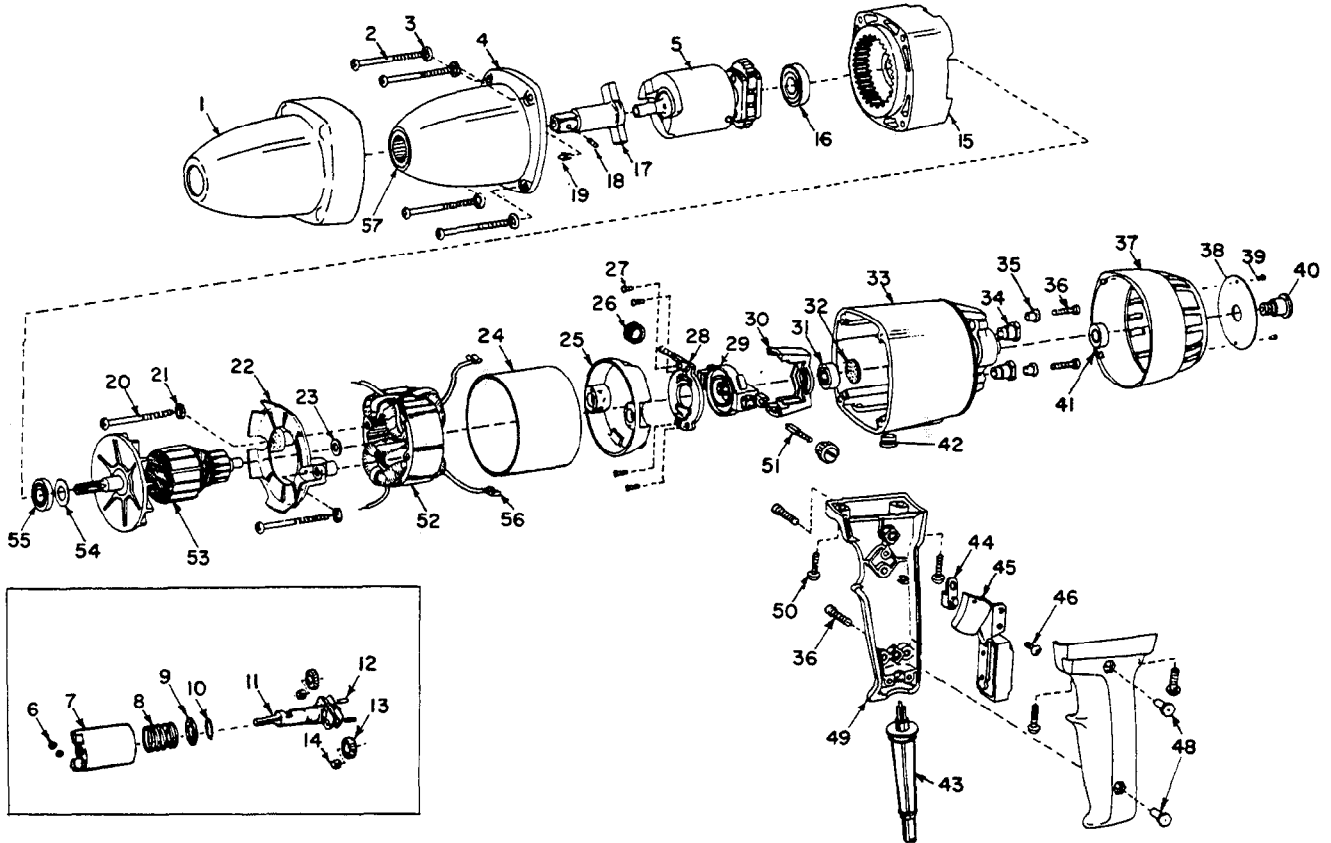
REVISED BUL 54-26-1200 DATE Sept. '70

Catalog No. 9050

Starting Serial No. **385-1001**

WIRING INSTR. **58-01-0520**

Both Model and Serial No. must be furnished to obtain correct parts.



ILLUSTRATED PARTS

FIG.	PART NO.	DESCRIPTION OF PART	NO. REQ.	FIG.	PART NO.	DESCRIPTION OF PART	NO. REQ.
1	42-52-0115	Protection Cap		28	22-68-0120	Support Cover	
2	06-75-2640	10-32 x 2-1/8 Screw	(4)	29	23-39-0070	Brush Holder Ring	
3	06-97-2200	No. 10 Lockwasher Internal Tooth	(4)	30	28-90-0171	Support	
★ 4	28-14-1300	Gear Case Assembly (incl. fig. 57)		31	02-04-5010	Ball Bearing	
5	43-81-0060	Impactor Assembly (incl. fig. 6 thru 14)		32	43-06-0550	Felt Disc	
6	02-02-2000	Cam Ball	(2)	33	28-50-5075	Motor Housing	
7	43-81-0061	Impactor		★ 34	22-24-0250	Insulating Bushing	(2)
8	40-50-7575	Impactor Spring		★ 35	45-36-0511	Locating Spacer	(2)
9	42-24-0190	Thrust bearing		36	06-81-0950	8-32 x 3/4 Fil. Hd. Screw	(4)
10	02-80-6000	Thrust Bearing Loose Balls	(18)	37	31-12-0050	End Cap	
11	36-10-0801	Cam Shaft		★ 38	12-98-7040	Name Plate	
12	45-58-0190	Planet Gear Stud	(2)	39	06-81-4275	No. 2 x 3/16 Rd. Hd. Screws	(2)
13	32-62-0061	Planet Gear	(2)	40	06-75-4360	Shoulder Screw	
14	42-40-0411	Bushing	(2)	41	45-88-0465	Back Cap Washer	
15	28-28-1421	Diaphragm		42	23-16-0330	Insulator	
16	02-04-5000	Ball Bearing		43	22-64-0470	Cord Set	
17	42-06-0080	Anvil		44	45-36-0521	Switch Spacer	
18	44-70-0140	Plunger		★ 45	23-66-0490	Switch Assembly	
19	40-50-7550	Spring		46	06-81-4568	8-32 x 5/8 Rd. Hd. Screw	
20	06-85-1750	No. 10-32x2-1/8 Rd. Hd. Self-Tapping	(2)	48	44-40-0290	Nut	(2)
21	06-97-2200	No. 10 Lockwasher	(2)	49	31-44-0125	Switch Handle Assembly	
22	42-14-0130	Baffle Assembly		50	06-81-7400	10-32 x 5/8 Fil. Hd. Screw	(4)
23	45-88-7010	Washer		51	22-18-0380	Brush Assembly	(2)
24	23-48-8500	Insulating Sleeve		52	18-42-1190	115 Volt Field Assy. (includes fig. 56)	
25	23-16-0320	Frame Insulator		53	16-42-1350	115 Volt Armature Assy.	
26	23-44-0110	Brush Retaining Screw	(2)	54	45-88-7020	Washer	
27	06-81-0500	No. 5-40 x 3/8 Fl. Hd. Screw	(4)	55	02-04-1000	Ball Bearing	
				★ 56	22-44-0100	Clip	(2)
				★ 57	42-40-0460	Bushing	