



SERVICE PARTS LIST

BULLETIN NO.
54-26-1301

SPECIFY CATALOG NO. AND SERIAL NO. WHEN ORDERING PARTS		REVISED BULLETIN 54-26-1300	DATE April '80
IMPACT WRENCH - 1/2" SQ. DRIVE ANVIL		WIRING INSTRUCTION 58-01-0515	
CATALOG NO. 9051	STARTING SERIAL NO. 466-39395		

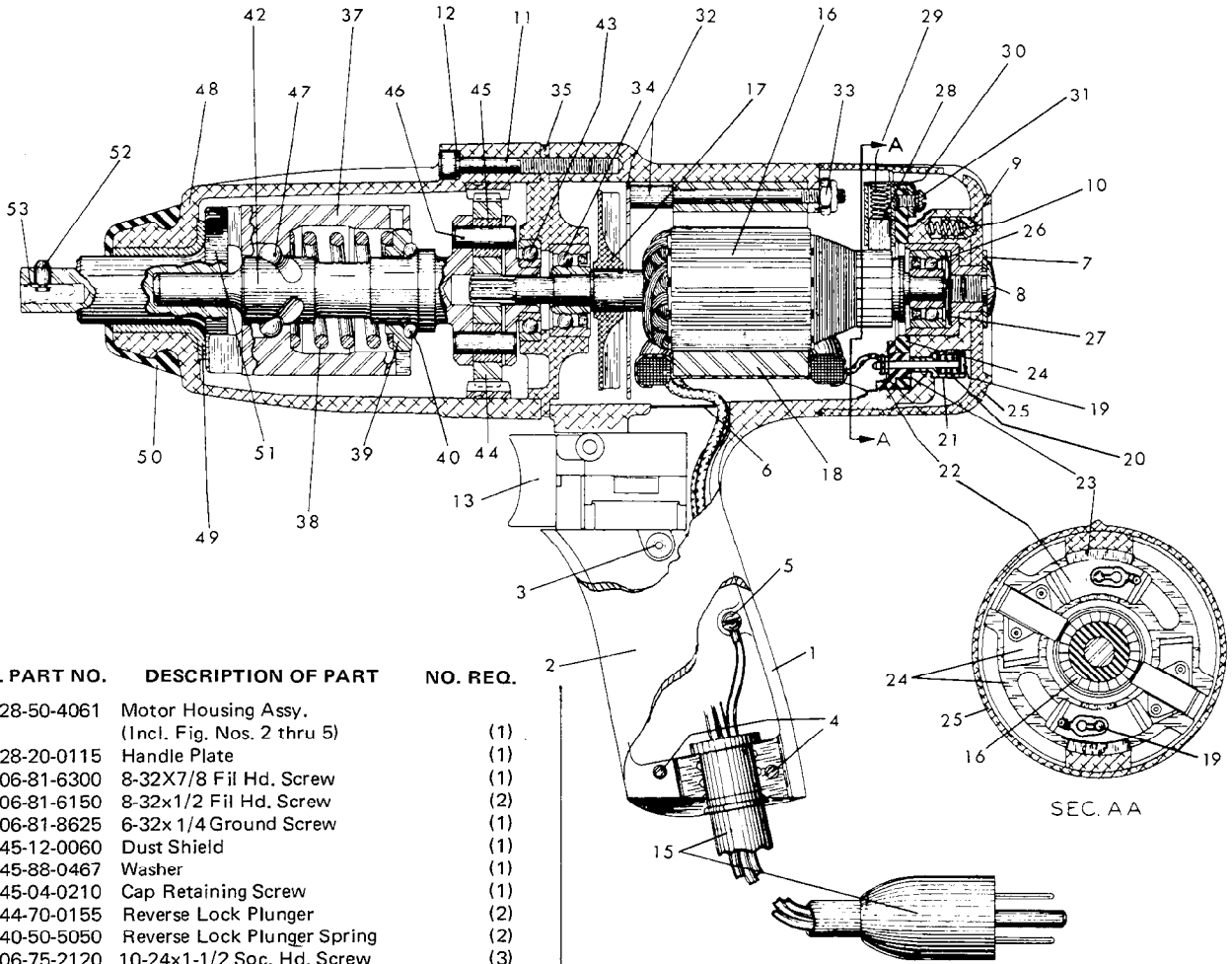


FIG. PART NO.	DESCRIPTION OF PART	NO. REQ.
★ 1	28-50-4061 Motor Housing Assy. (Incl. Fig. Nos. 2 thru 5)	(1)
2	28-20-0115 Handle Plate	(1)
3	06-81-6300 8-32X7/8 Fil Hd. Screw	(1)
4	06-81-6150 8-32x1/2 Fil Hd. Screw	(2)
5	06-81-8625 6-32x 1/4 Ground Screw	(1)
6	45-12-0060 Dust Shield	(1)
7	45-88-0467 Washer	(1)
8	45-04-0210 Cap Retaining Screw	(1)
9	44-70-0155 Reverse Lock Plunger	(2)
10	40-50-5050 Reverse Lock Plunger Spring	(2)
11	06-75-2120 10-24x1-1/2 Soc. Hd. Screw	(3)
12	06-97-3400 10 Split Ring Washer	(3)
13	23-66-0575 Switch	(1)
14	23-16-0325 Switch Insulator (Not Shown)	(1)
15	22-64-0425 Cord Set	(1)
★ 16	16-42-1356 Armature (Incl. Fig. No. 17)	(1)
17	22-84-0070 Fan	(1)
★ 18	18-42-1196 Field	(1)
★ 19	44-60-0520 Terminal Pin	(2)
★ 20	40-50-1250 Contact Spring	(2)
★ 21	22-32-0330 Insulating Cap	(2)
★ 22	22-58-0061 Stationary Contact	(2)
★ 23	45-36-0925 Plate Spacer	(2)
24	22-22-0305 Brush Holder Plate	(1)
25	42-52-0140 Reverse Cap with Nameplate	(1)
26	02-04-0740 Ball Bearing	(1)
27	40-50-7685 Rear Armature Bearing Spring	(1)
28	22-16-0260 Brush	(2)
29	23-52-0170 Brush Spring	(2)
30	22-44-0115 Brush Retainer	(2)
31	06-81-8510 5-40x1/4 Rd. Hd. Sem Screw	(2)
32	42-14-0175 Baffle (Incl. Fig. No. 33)	(1)
33	06-55-0810 Nut	(2)
★ 34	02-04-5017 Ball Bearing	(1)
★ 35	28-28-0426 Diaphragm	(1)
36	43-81-0060 Hammer Assy. (Fig. Nos. 37 thru 46)	(1)
37	43-81-0061 Hammer	(1)

FIG. PART NO.	DESCRIPTION OF PART	NO. REQ.
38	40-50-7575 Hammer Spring	(1)
39	42-24-0190 Thrust Bearing Race	(1)
40	02-80-6000 Thrust Bearing Ball	(18)
41	36-10-0810 Planet Gear Frame Assy. (Fig. Nos. 42 thru 45)	(1)
42	36-10-0801 Planet Gear Frame	(1)
43	02-04-5012 Gear Frame Thrust Bearing	(1)
44	32-62-0061 Planet Gear (Incl. Fig. No. 45)	(2)
45	42-40-0411 Planet Gear Bushing	(2)
46	45-58-0190 Planet Gear Shaft	(2)
47	02-02-2000 Cam Ball	(2)
48	28-14-1305 Gear Case Assy. (Incl. Fig. No. 49)	(1)
49	42-40-0470 Gear Case Bushing	(1)
50	42-52-0135 Gear Case Shield	(1)
51	42-06-0080 Anvil (Incl. Fig. Nos. 52 & 53)	(1)
52	44-70-0140 Ball Type Socket Retaining Plunger	(1)
or	44-70-0141 Blunt Nose Retaining Pin (Not Shown)	(1)
53	40-50-7550 Retaining Plunger Spring	(1)
54	12-98-0141 Blank Nameplate (Not Shown)	(1)
55	23-16-0696 Brush Insulator (Not Shown)	(2)
★ 56	23-74-0581 Field Terminal (Not Shown)	(2)
★ 57	44-52-0205 Switch Pad (Not Shown)	(2)