



# SERVICE PARTS LIST

**BUL. 54-26-1101**

## IMPACT WRENCH

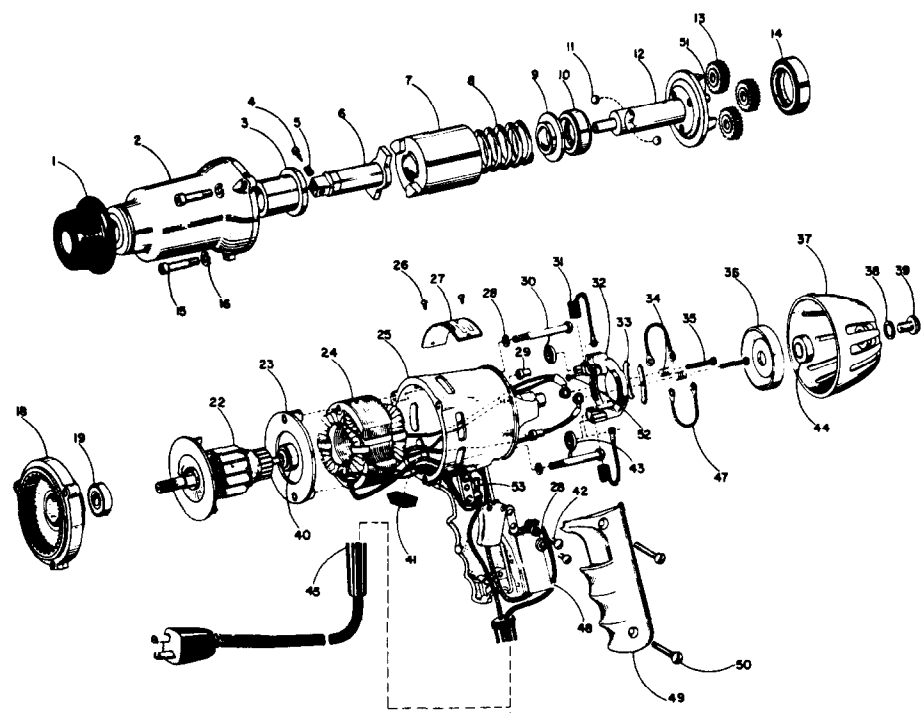
REVISED BUL 6315-2	DATE Feb. '68
-----------------------	------------------

**Catalog No. 9010**

Starting  
Serial No. **315-1161**

WIRING INSTR.

Both Model and Serial No. must be furnished to obtain correct parts.



### ILLUSTRATED PARTS

FIG.	PART NO.	DESCRIPTION OF PART	NO. REQ.	FIG.	PART NO.	DESCRIPTION OF PART	NO. REQ.
1	42-52-0110	Protection Cap		28	06-97-3200	No. 8 Split Ring Lock Washer	(4)
2	14-30-0230	Gear Case Assy. (Includes Item 3)		29	23-16-0230	Bushing Insulator	(2)
3	42-40-0250	Bushing		30	06-81-4575	8-32 x 2 Rd. Hd. Machine Screw	(2)
★ 4	44-70-0140	Plunger		31	22-16-0220	Brush	(2)
★ 5	40-50-7550	Spring		32	23-39-0060	Rocker Ring	
★ 6	42-06-0070	Anvil (Includes Item 4, 5)		33	22-58-0050	Contact	(2)
7	42-81-0050	Impacter		34	40-50-5100	Contact Spring	(2)
8	40-50-4900	Impacter Spring		35	23-74-0240	Screw Terminal	(2)
9	43-56-0090	Spring Guide		36	22-32-0120	Insulation Cap	
10	02-80-1550	Thrust Bearing		37	28-12-0201	End Cap	
11	02-02-0280	9/32 Steel Ball	(2)	38	06-97-2650	5/16 Int. Tooth Lock Washer	
12	36-10-0551	Cam Shaft (Includes Item 51 (3))	(3)	39	06-75-4350	5/16-24 x 1/2 Socket Hd. Cap Screw	
13	32-62-0051	Planet Gear	(3)	40	02-04-0600	Ball Bearing	
14	02-80-1850	Thrust Bearing		41	23-16-0240	Rubber Insulator	
15	06-75-2625	10-32 x 1-1/8 Socket Hd. Cap Screw	(3)	42	06-81-4565	8-32 x 1/4 Rd. Hd. Machine Screw	(2)
16	06-97-3400	No. 10 Split Ring Lock Washer	(3)	43	23-52-0150	Brush Spring	(2)
18	28-28-1321	Diaphragm (Includes Item 51)		44	45-88-0460	Neoprene Rubber Washer	
19	02-04-1000	Ball Bearing		45	22-64-0390	Cord Set	
22	16-40-1020	Armature Assy.		47	23-46-0050	Shunt	(2)
23	42-14-0080	Baffle		48	23-66-0450	Switch	
24	18-40-1010	Field Assembly		49	28-20-3551	Handle Cover	
25	28-50-5071	Motor Housing		50	06-81-3750	8-32 x 1 Oval Hd. Screw	(2)
26	06-77-0050	No. 0 x 5/32 Driv-In Screw	(2)	51	45-58-0160	Planet Gear Stud	(3)
27	12-90-0110	Name Plate		52	06-81-0100	6-32 x 1/4 Binder Hd. Screw	(2)
				53	22-56-0190	Connector	

MISCELLANEOUS PARTS NOT SHOWN

PART NO.	DESCRIPTION OF PART
49-96-0070	5/32 Allen Wrench