



**04584447**  
Edition 3  
October 2009

## **Air Impact Wrench**

**2934 and 2940 Series (D handle)**

---

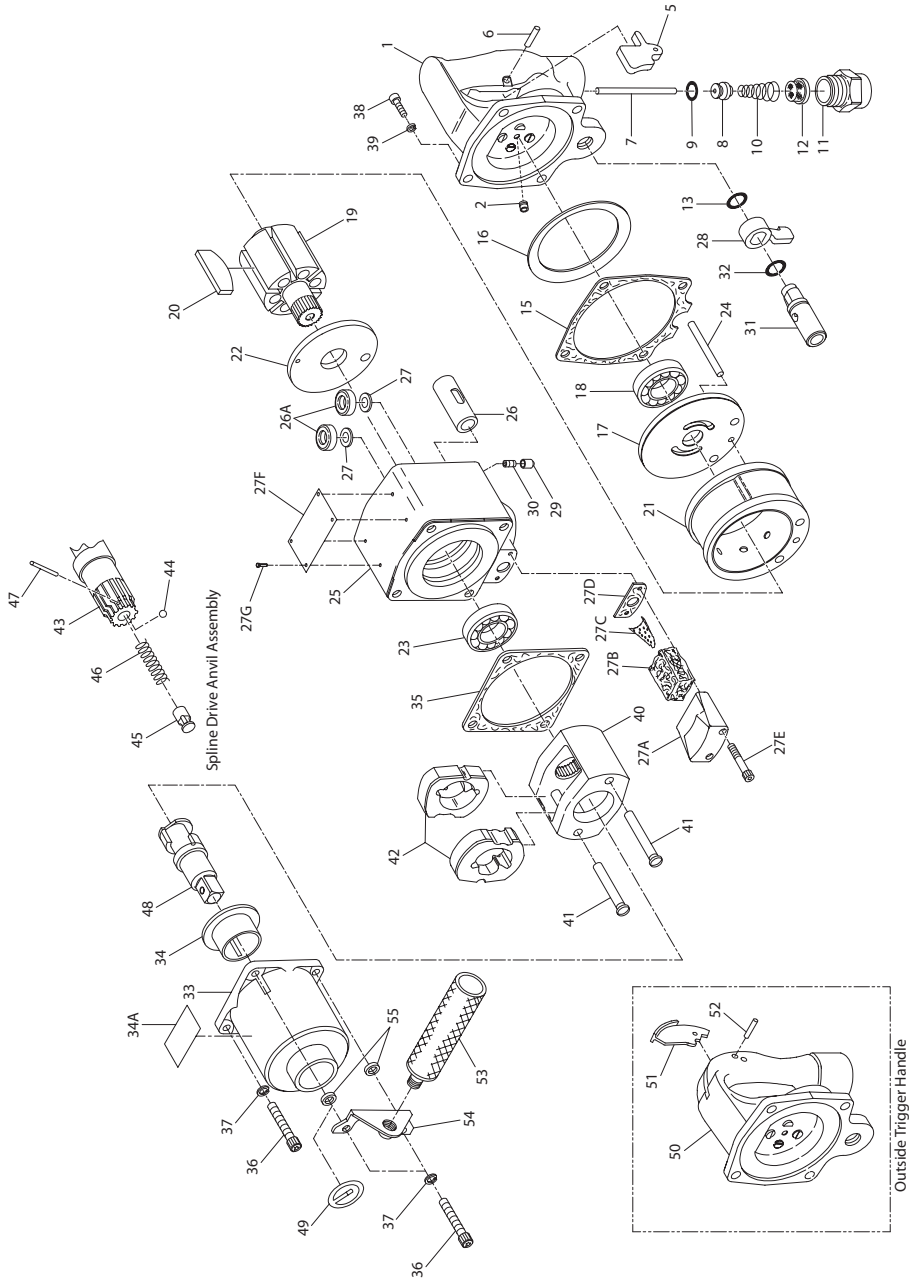
# **Parts Information**



**Save These Instructions**

 **Ingersoll Rand**

2934 and 2940 Series (D handle) Air Impact Wrench Exploded Diagram



(Dwg. TPA1333-3)

## 2934 and 2940 Series (D handle) Air Impact Wrench Parts List

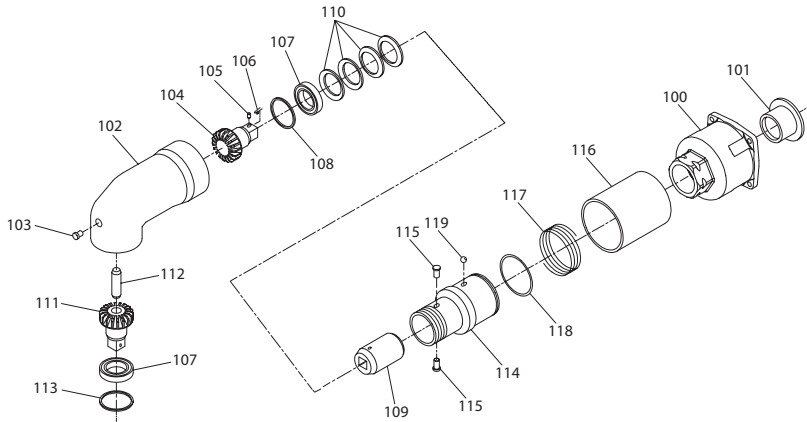
| Item    | Part Description               | Part Number  | Item | Part Description   | Part Number |
|---------|--------------------------------|--------------|------|--|-------------|
| 1       | Inside Trigger Handle Assembly | 2934-A92A    | *    | Oversize Hammer Case Bushing   |             |
| 2       | Grease Fitting                 | 130SR-188    |      | .005" oversize   | 293-641-5   |
| 5       | Trigger                        | 834-93A      |      | .010" oversize   | 2934-641-10 |
| 6       | Trigger Pin                    | 534-265      |      | .015" oversize   | 2934-641-15 |
| 7       | Throttle Valve Plunger         | 2934-302     | † 35 | Hammer Case Gasket   | 2934-36     |
| 8       | Throttle Valve Assembly        | 2934-A50     | 36   | Hammer Case Cap Screw (4)  | 834-638     |
| † • 9   | Throttle Valve Face            | 2934-159     | 37   | Hammer Case Cap Screw Lock Washer (4)  | 34U-58      |
| † 10    | Throttle Valve Spring          | 834-51       | 38   | Handle Cap Screw (4)   | 510-638     |
| 11      | Straight Inlet                 | 845-565      | 39   | Handle Cap Screw Lock Washer (4)   | 8U-58       |
| † • 12  | Air Strainer Screen            | 434-61       | 40   | Hammer Frame Assembly  |             |
| † • 13  | Reverse Valve Seal             | R00BR-210    |      | for 2934   | 2934-A703   |
| † • 15  | Handle Gasket                  | 2934-283     |      | for 2940   | 2940-A703   |
| 16      | Motor Clamp Washer             | 2934-207     | 41   | Hammer Pin (2)   |             |
| 17      | Rear End Plate                 | 2934-12      |      | for 2934   | 2934-704    |
| † 18    | Rear Rotor Bearing             | 508-97       |      | for 2940   | 2940-704    |
| 19      | Rotor                          |              | 42   | Hammer (2)   |             |
|         | for 2934                       | 2934-53      |      | for 2934   | 2934-724    |
|         | for 2940                       | 2940-53      |      | for 2940   | 2940-724    |
| † • 20  | Vane Packet (set of 6 Vanes)   |              | 43   | Spline Drive Anvil Assembly  |             |
|         | for 2934                       | 2934-42-6    |      | for 2934   | 2934-A526   |
|         | for 2940                       | 2940-42-6    |      | for 2940   | 2940-A526   |
| 21      | Cylinder                       |              | 44   | Socket Retaining Ball  | D04-280     |
|         | for 2934                       | 2934-3       | 45   | Retaining Ball Plunger   | 845-230     |
|         | for 2940                       | 2940-3       | 46   | Retaining Plunger Spring   | 2940-231    |
| 22      | Front End Plate                | 2934-11      | 47   | Plunger Retaining Pin  | 845-128     |
| † 23    | Front Rotor Bearing            | 810-97       | 48   | 1" Square Drive Anvil Standard Length  |             |
| 24      | Cylinder Dowel                 |              |      | for 2934   | 2934-726    |
|         | for 2934                       | 2934-98      |      | for 2940   | 2940-726    |
|         | for 2940                       | 2940-98      |      | 6" Extended Length   |             |
| 25      | Motor Housing Assembly         |              |      | for 2934   | 2934-314-6  |
|         | for 2934                       | 2934-A40A    |      | for 2940   | 2940-314-6  |
|         | for 2940                       | 2940-A40     | 49   | Socket Retainer  | RR100155    |
| 26      | Reverse Valve Bushing          | 2934-330S    | 50   | Outside Trigger Handle Assembly  | 2934-A1     |
| † • 26A | Air Port Gasket (2)            | R44H-210A    | 51   | Trigger  | 844-78      |
| † 27    | Air Port Gasket Retainer (2)   | 2940-200     | 52   | Trigger Pin  | F02-15      |
| 27A     | Exhaust Deflector              | 2934-23A     |      | Also includes illustrated parts 2, 7, 8, 9, 10, 11, 12 and 13  | ---         |
| † 27B   | Exhaust Silencer               | 2940P-311    | 53   | Dead Handle  | 834-48      |
| 27C     | Exhaust Baffle                 | 2934-124     | 54   | Dead Handle Bracket  | 2934-364    |
| 27D     | Exhaust Gasket                 | 2934-223     | 55   | Dead Handle Bracket Spacer (2)   | 2934-140    |
| 27E     | Deflector Screw (2)            | R43F-104     | *    | Horizontal Hanger  | 2934-366    |
| 27F     | Nameplate                      |              | *    | Horizontal Hanger Spacer (2)   | 2934-140    |
|         | for 2934                       | 2934-301     | *    | Side Spade Handle  | T15-41      |
|         | for 2940                       | 2940-301     | *    | Side Spade Handle Stud   | 534-448     |
| 27G     | Nameplate Screw (4)            | C32-302      | *    | Side Spade Handle Stud Nut   | 107-73A     |
| 28      | Reverse Lever                  | 2934-658A    | *    | Grease Gun   | R000A2-228  |
| † 29    | Reverse Lock Plunger           | 4U-663B      | *    | Tune-up Kit (includes illustrated parts 3, 9, 10, 12, 13, 15, 18, 20, 23, 26A [2], 27 [2], 27B, 29, 30, 32 and 35) |             |
| † 30    | Reverse Lock Plunger Spring    | 4U-664       |      | for 2934   | 2934-TK3    |
| 31      | Reverse Valve Assembly         | 2934-A329    |      | for 2940   | 2940-TK3    |
| † • 32  | Reverse Valve Bushing Seal     | 85H-167      | *    | Exhaust Deflector Kit (includes illustrated parts 27A thru 27E)  | 2934-K23    |
| 33      | Hammer Case Assembly           |              |      |  |             |
|         | for 2934                       | 2934-A727    |      |  |             |
|         | for 2940                       | 2940-A727    |      |  |             |
| 34      | Hammer Case Bushing            | 2934-641     |      |  |             |
| 34A     | Hammer Case Label              |              |      |  |             |
|         | for 2934                       |              |      |  |             |
|         | for 2940                       | WARNING-2-99 |      |  |             |

\* Not Illustrated

† Indicates Tune-up Kit part.

• To keep downtime to a minimum, it is desirable to have on hand certain repair parts. We recommend that you stock one (pair or set) of each part indicated by a bullet (•) for every four tools in service.

## Model 2934B9 Air Impact Wrench with No. 2934A90 Angle Attachment



(Dwg. TPC357-1)

The 2934 Series Air Impact Wrench can be furnished with a 1" square drive 2934A90 Angle Attachment and when so furnished is designated as 2934B9. Following are the parts used only in the 2934B9. All parts not listed are the same as for a 2934 Series Air Impact Wrench with Inside Trigger Handle, Side Spade Handle and a 1" square drive standard length Anvil.

| Item | Part Description                               | Part Number  | Item | Part Description                | Part Number |
|------|--|--------------|------|---------------------------------|-------------|
| 100  | Hammer Case Assembly                           | 2934-A827    | 109  | Bevel Pinion Driver             | 2934A90-563 |
|      | Hammer Case Bushing                            | 2934-641     | 110  | Bevel Pinion Clamp Washer (4)   | 808-207     |
| *    | Hammer Case Label                              | WARNING-2-99 | 111  | Bevel Gear                      | 436A90-601  |
|      | Angle Attachment Assembly                      | 2934A90      | 112  | Bevel Gear Spindle              | 436A90-607  |
| 102  | Angle Housing Assembly                         | 436A90-A600  | 113  | Bevel Gear Bearing Retainer     | 436A90-632  |
| 103  | Grease Fitting                                 | 130SR-188    | 114  | Angle Housing Connector         | 436A90-680  |
| 104  | Bevel Pinion Assembly                          | 436A90-A602  | 115  | Connector Lock Pin (2)          | 436A90-609  |
| 105  | Retainer Plunger                               | 8U-715       | 116  | Connector Retaining Sleeve      | 436A90-681  |
| 106  | Retainer Plunger Spring                        | SUHD-718     | 117  | Retaining Sleeve Spring         | 436A90-682  |
| 107  | Bevel Pinion Bearing or Bevel Gear Bearing (2) | 436A90-593   | 118  | Connector Retaining Sleeve Stop | 3BM-303     |
|      |  |              | 119  | Connector Retaining Ball (3)    | 8U-722      |
| 108  | Bevel Pinion Spacer                            | 436A90-608   | *    | Socket Retainer                 | RR10015S    |

\* Not illustrated.

### Parts and Maintenance

When the life of the tool has expired, it is recommended that the tool be disassembled, degreased and parts be separated by material so that they can be recycled.

Tool repair and maintenance should only be carried out by an authorized Service Center.

Refer all communications to the nearest **Ingersoll Rand** Office or Distributor.

### Related Documentation

For additional information refer to:

Air Impact Wrench Product Safety Information Manual 04580916.

Air Impact Wrench Product Information Manual 04584835.

Air Impact Wrench Maintenance Information Manual 04584298.

Manuals can be downloaded from [www.ingersollrandproducts.com](http://www.ingersollrandproducts.com).

**Notes:**

---

---

**Notes:**

**Notes:**

---

[www.ingersollrandproducts.com](http://www.ingersollrandproducts.com)

© 2009 *Ingersoll Rand* Company

