



# MODEL H0579 190mm AIR HAMMER KIT INSTRUCTION SHEET





<b>⚠ WARNING</b>	
	<b>EYE/EAR INJURY HAZARD!</b> Wear safety glasses and hearing protection during use of this tool!
	<b>INJURY HAZARD!</b> Always disconnect tool from air to prevent unexpected operation during service!
	<b>EXPLOSION HAZARD!</b> Never exceed 120 PSI!
	<b>RESPIRATORY HAZARD!</b> Chiseling produces fine dust. Wear the appropriate protection during use!



Figure 1. Model H0579.

## Introduction

This 190mm Air Hammer Kit can handle the toughest of jobs. It requires 90 PSI with a minimum of 4 CFM compressor capacity. Weighs 3.3 lbs.

## Inventory

- A. Air Hammer ..... 1
- B. Oil Bottle ..... 1
- C. Five Piece Bit Set..... 1
- D. 1/4" NPT Air Fitting..... 1
- E. Retainer Spring ..... 1

## Operation

Thread the retainer spring on the air hammer cylinder.

Insert the bit by slightly bending the retainer spring out of the way of the cylinder bore and slide the bit in. Relax the retainer spring so the "U" sits in front of the bit flange to hold the bit in place.

Air Hammer MUST have 3-4 drops of oil directly dropped into the air fitting before each use as shown in **Figure 2**.

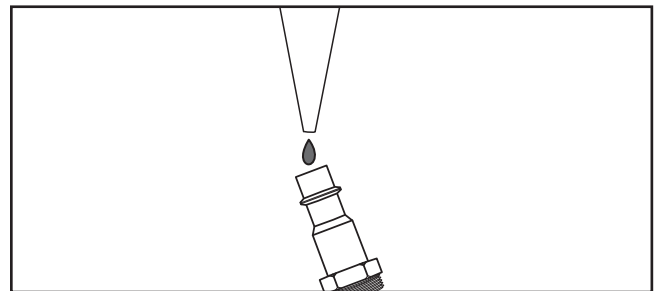
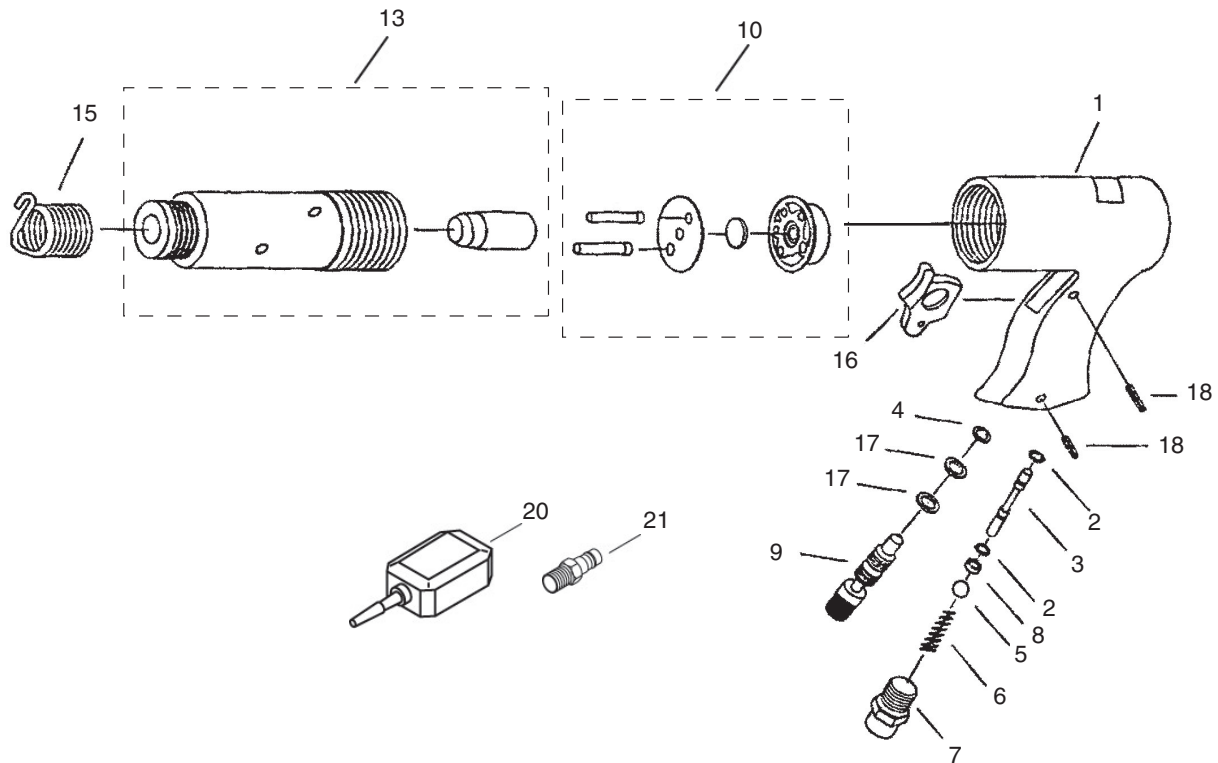


Figure 2. Lubricating directly into air fitting.

*If you need help with your new pneumatic tool, call our Tech Support at: (570) 546-9663.*

# H0579 Parts Breakdown and List



REF	PART #	DESCRIPTION
1	PH0579001	HOUSING
2	PH0579002	O-RING
3	PH0579003	VALVE STEM
4	PH0579004	PLUG
5	PH0579005	BALL
6	PH0579006	COMPRESSION SPRING
7	PH0579007	AIR INLET
8	PH0579008	BALL SEAT
9	PH0579009	REGULATOR

REF	PART #	DESCRIPTION
10	PH0579010	LOWER VALVE SET ASSY
13	PH0579013	PISTON/CYLINDER
15	PH0579015	RETAINER SPRING
16	PH0579016	TRIGGER
17	PH0579017	O-RING
18	PH0579018	DOWEL PIN
19	H2321	BIT KIT 5 PK (NOT SHOWN)
20	PH0579020	OIL BOTTLE
21	PH0579021	1/4 NPT AIR FITTING MALE