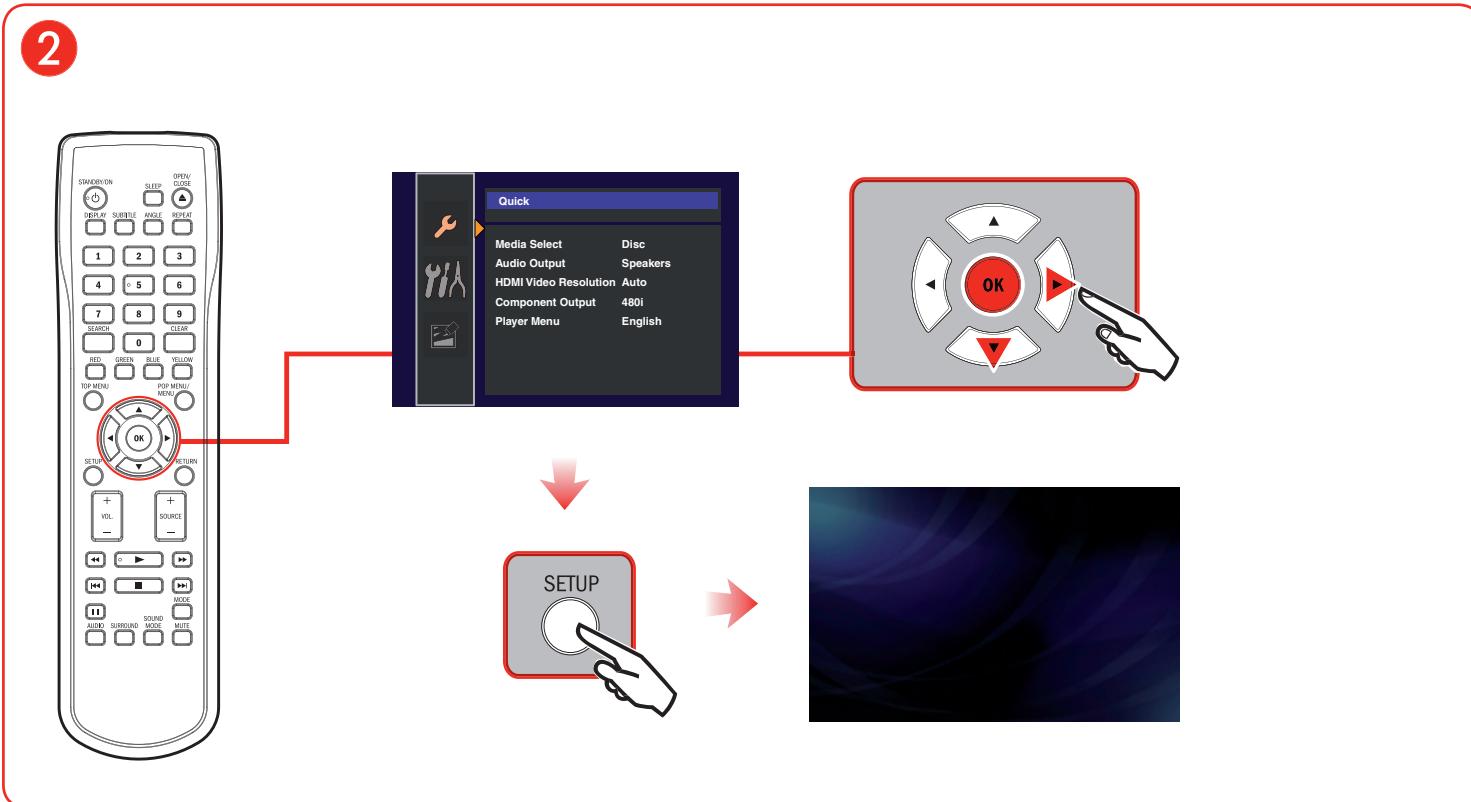
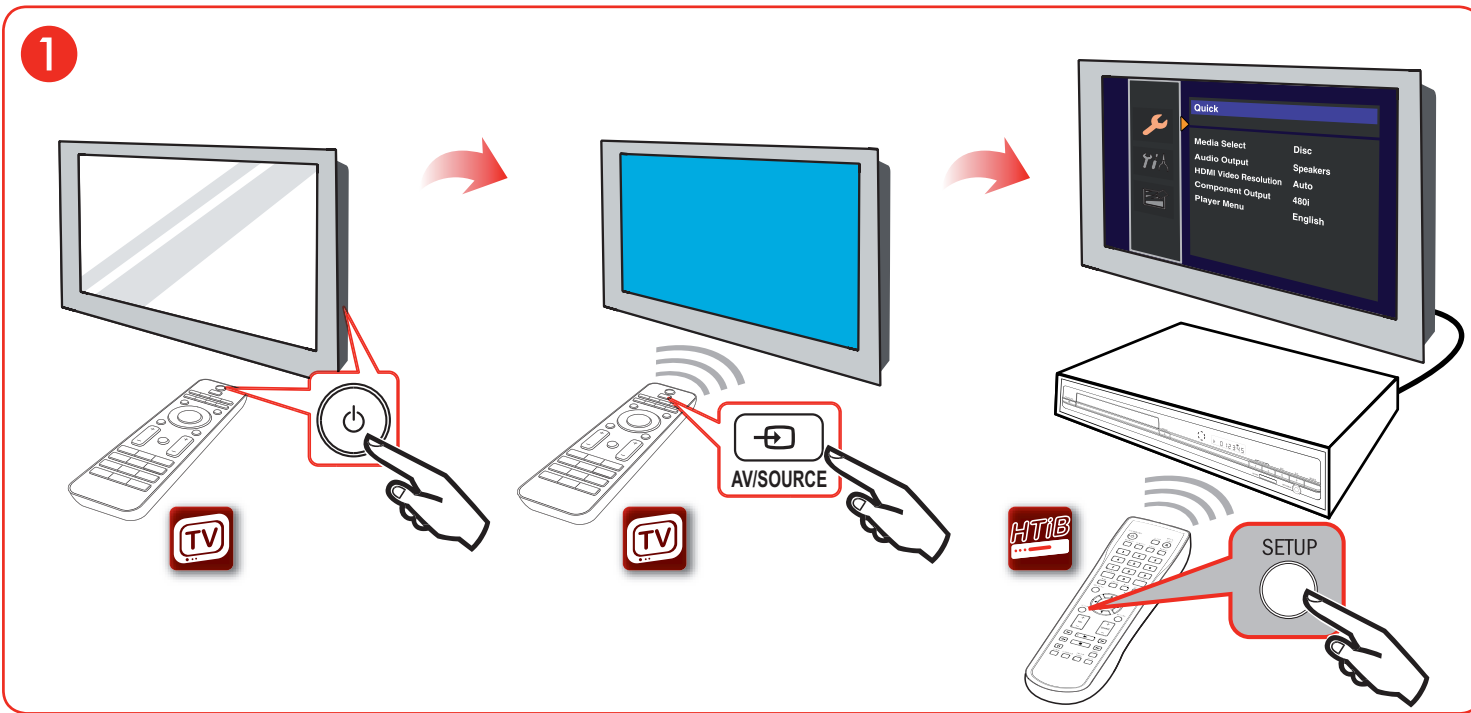


Language Select (Player Menu)



Quick Start Guide



MRD410B/F7



- Main unit
- Remote Control (NC000UD)
- Batteries (AA, 1.5V x 2)
- FM wire antenna (WX1E9000-081)
- Video cable (WPZ1520TM002 / WPZ152SCP003)
- 1 center, 2 front, 2 rear speakers and 1 subwoofer
- Owner's Manual (1VMN29273)
- Quick Start Guide (1VMN29274)

Need help?

Owner's Manual

See the owner's manual that came with the main unit.

Online

Go to: www.magnavox.com/support
www.funaiservice.com/

Hotline

Call 1-800-605-8610 for our operators.

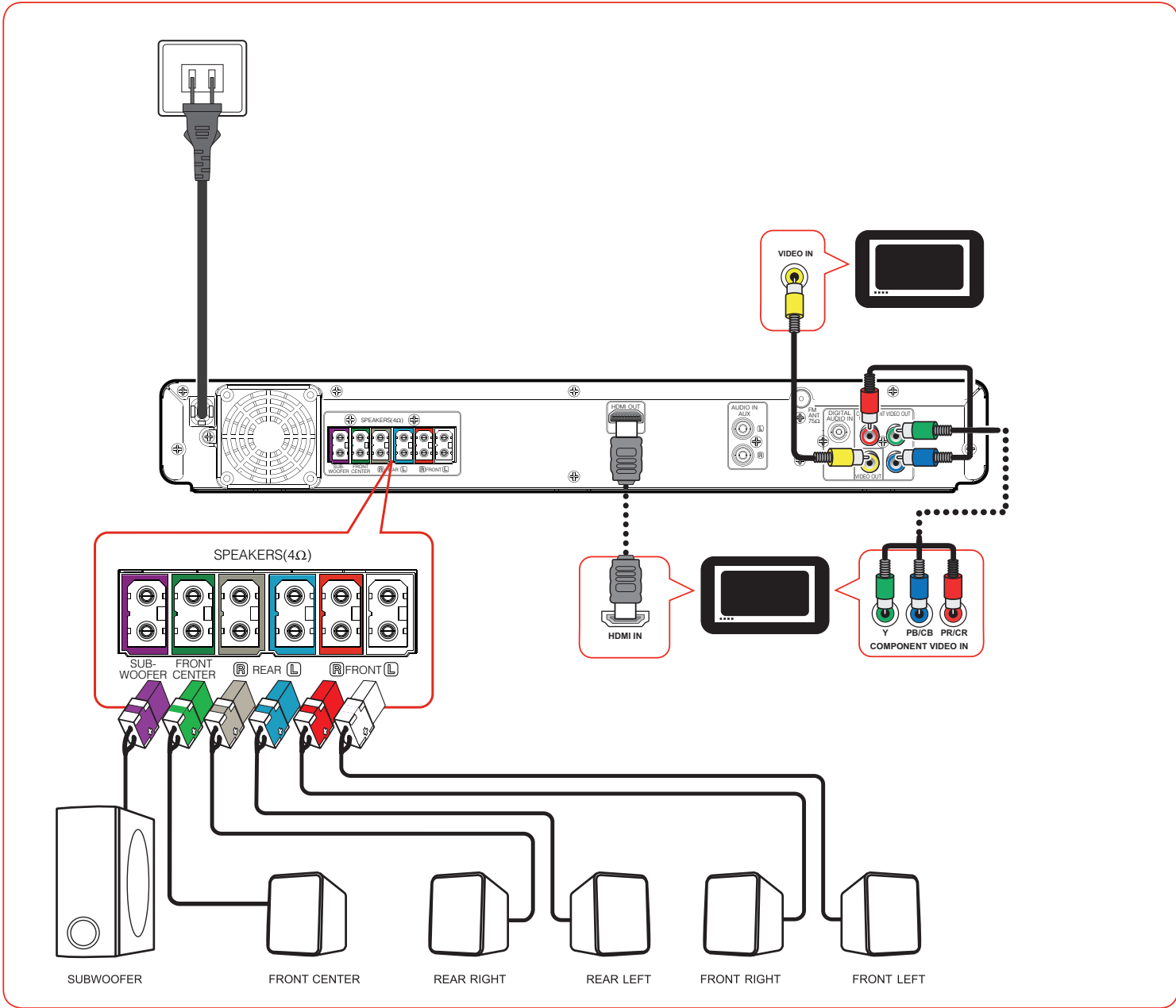
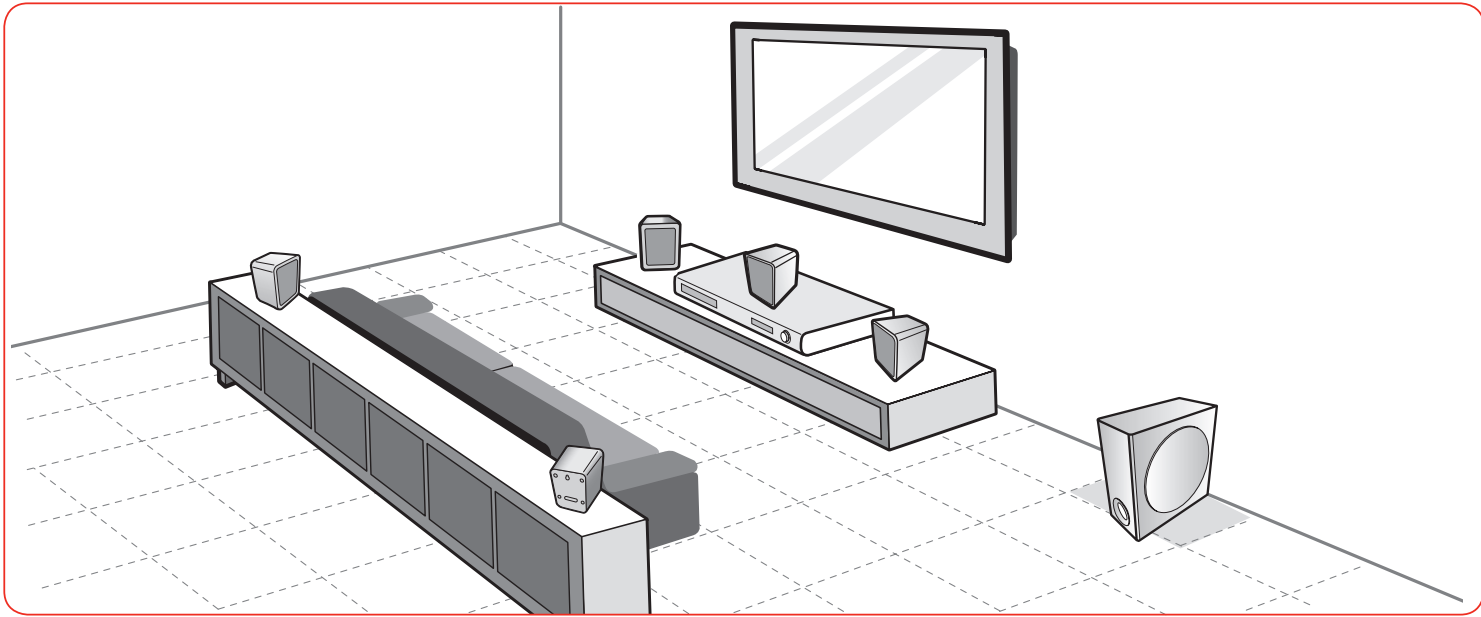
© 2010 Funai Electric Co., Ltd.

Printed in China
 E1S10UD_E1S12UD
 1VMN29274A ★★★★★



MAGNAVOX

1



2

