



ACOUSTIC & ELECTRICAL SPECIFICATIONS:

- Nominal Impedance 8 ohms nominal
- Max Amp Power 120 watts*
- Frequency Response 40Hz – 20kHz (–10dB)
- Sensitivity 88dB (2.83V @ 1 meter)
- Crossover Frequency 2,000Hz

SYSTEM COMPONENTS:

- Grille 329-050-00781
- Low-Frequency Transducer Dual 5" (127mm) polymer-coated aluminum cone w/rubber surround 13PR85BQ-JW01
- DC Resistance 9.4 ohms ±10%
- High-Frequency Transducer 1" (25mm) Pure-titanium dome 95DM25BF-FT01
- DC Resistance 5.2 ohms ±10%
- Crossover Network 013-7600-00872

AURAL SWEEP TEST SPECIFICATIONS:

- System Aural Sweep Test 6.0V input 40Hz to 20kHz
- L.F. Aural Sweep Test 5.0V input 40Hz to 2kHz
- H.F. Aural Sweep Test 2.83V input 2kHz to 20kHz

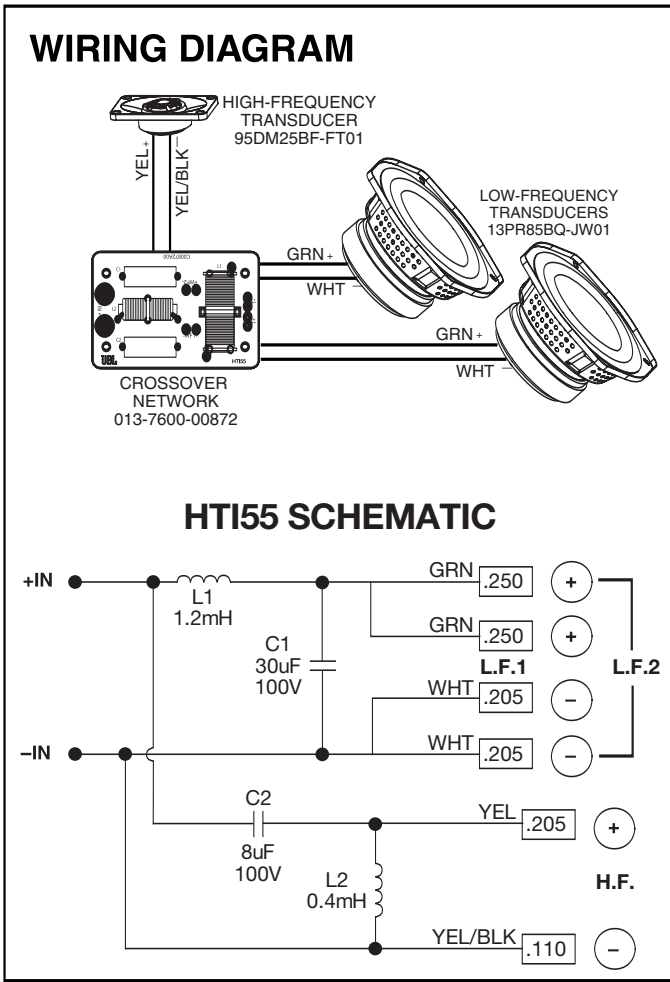
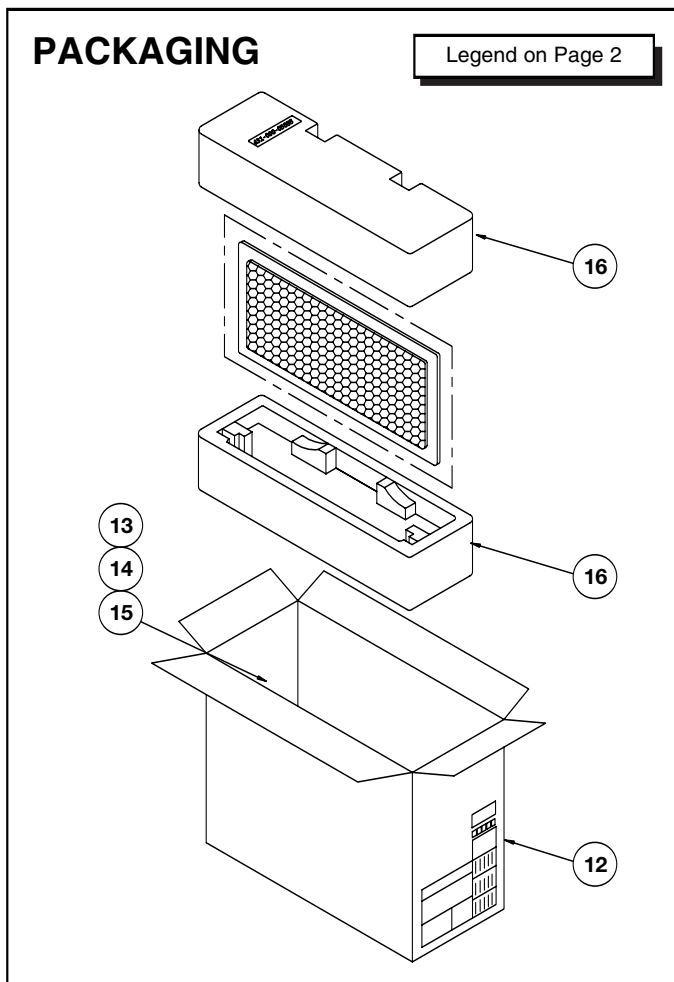
PHYSICAL SPECIFICATIONS:

- Plate Size 15-3/8" x 7-1/2" (391mm x 191mm)
- Mounting Cutout Size 14" x 6" (356mm x 152mm)
- Mounting Depth 3-7/8" (98mm)
- Weight 5.7 lb (2.6kg) Each

WARRANTY:

- Refer to Warranty Statement packed with each product.

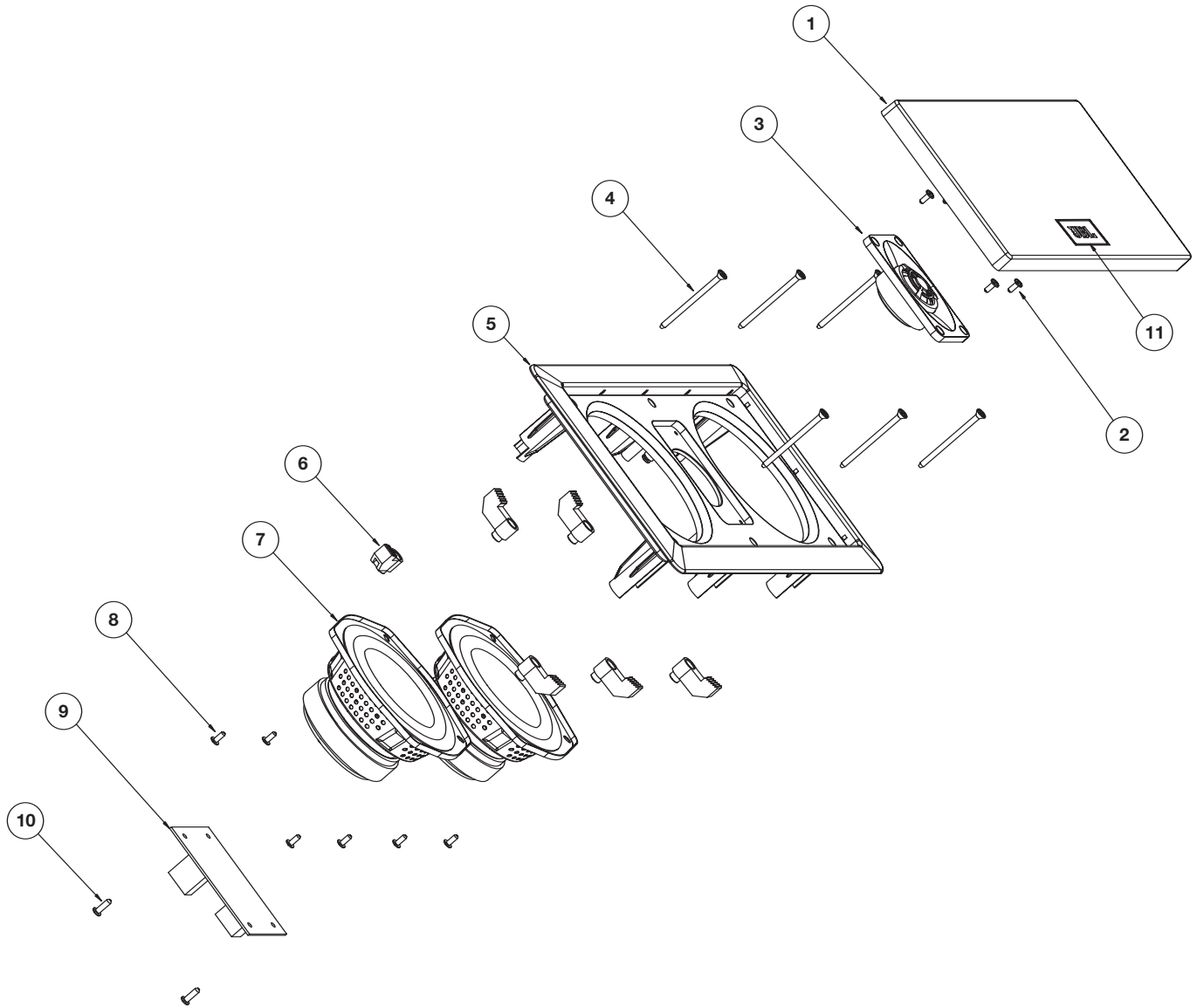
* The maximum recommended amplifier power rating will ensure proper system headroom to allow for occasional peaks. We do not recommend sustained operation at these maximum power levels.



HTI55 Home Theater Series



EXPLODED VIEW



Item	Part No.	Description	Qty.	Item	Part No.	Description	Qty.
1	329-050-00781	GRILLE	1	9	013-7600-00872	CROSSOVER NETWORK	1
2	352-CM04010D388	TWEETER SCREW 4*10MM	4	10	352-FM04010D462	NETWORK SCREW T4*10	4
3	95DM25BF-FT01	TWEETER	1	11	316-POL-00221	LOGO HTI55	1
4	352-BM04062D387	FE DOG EAR SCREW	6	12	402-000-05094	GIFT BOX HTI55	1
5	301-ABS-00374-0WA	ABS FRONT BAFFLE	1	13	403-000-05005	CUTTING TEMPLATE HTI55	1
6	325-ABS-00446	ABS DOG EAR 33.7*17*10	6	14	405-000-05008	WARRANTY CARD	1
7	13PR85BQ-JW01	WOOFER	2	15	406-000-05076	OWNER'S MANUAL	1
8	352-FM04010D462	WOOFER SCREW T4*10	8	16	431-000-05055	EPS PACKING MATERIAL HTI55	2

HTI55 ROUGH-IN FRAME part # HTI55RIF