



Emerson®

MODEL : **AV300**

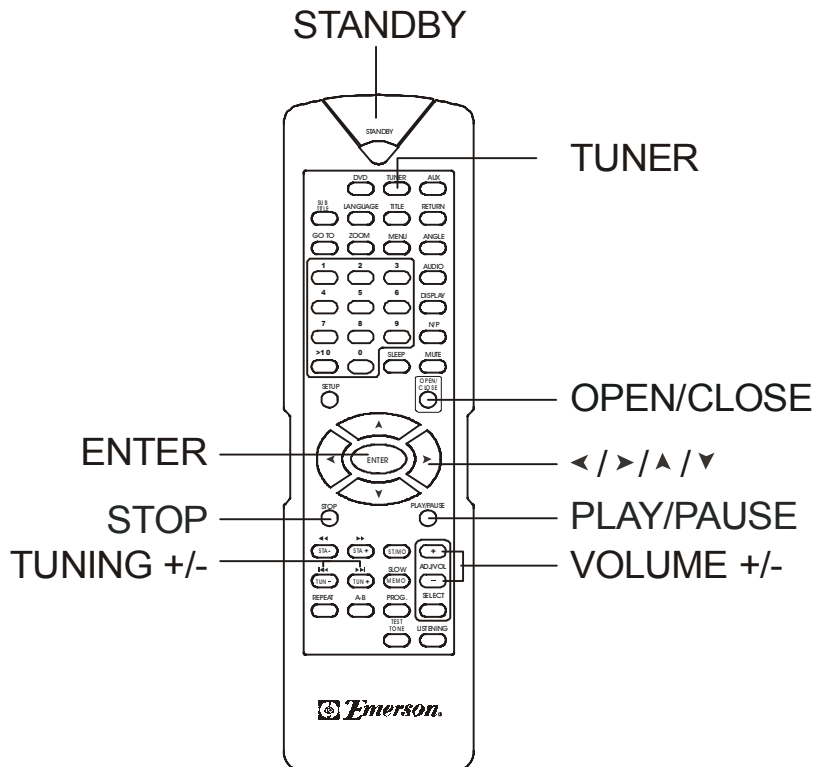
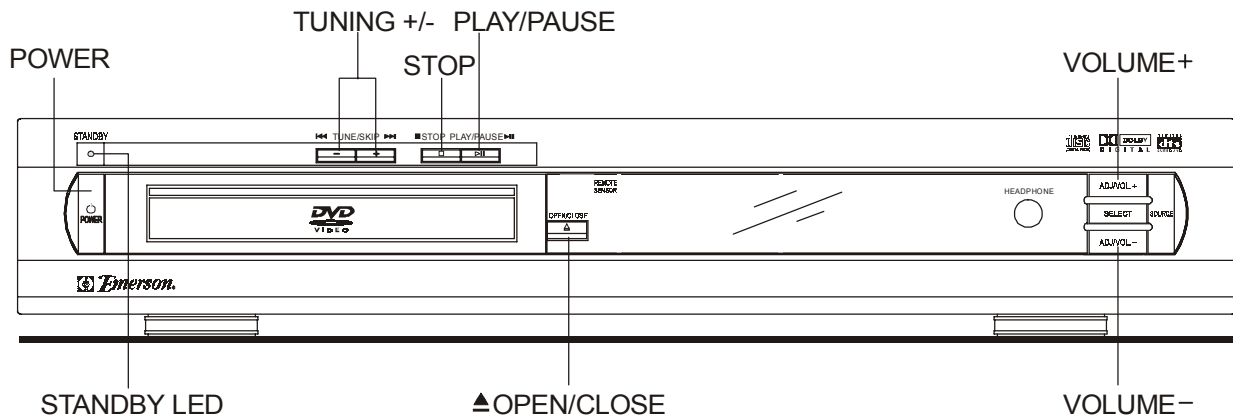
Quick Set Up Guide

Complete Home Theater System with DVD/CD Player and Digital Tuner

This Quick Set Up Guide will help you get your new Emerson Home Theater System connected, positioned, and operating so you can begin enjoying movies and music as quickly as possible.

All of the initial default settings have been pre-set for the system to be operated in North America. No further adjustments are required at this time.

The diagrams below show the important controls on the front panel and remote control that you will use to perform the operations in this Quick Set Up Guide.



BASIC SETUP AND CONNECTIONS

1. Carefully remove the system from the display carton and confirm that you have the following items:

- Main Unit x 1.
- Satellite Speakers x 5.
- Subwoofer x 1.
- Remote Control x 1.
- Satellite Cables x 5.
- Subwoofer Cable x 1.
- Remote Batteries x 2.
- Video Cable x 1.
- AM and FM Antennas.
- Owner's Manual.
- Rubber Feet x 20.

Save the carton and all packing materials.

2. Install the batteries in the remote control.

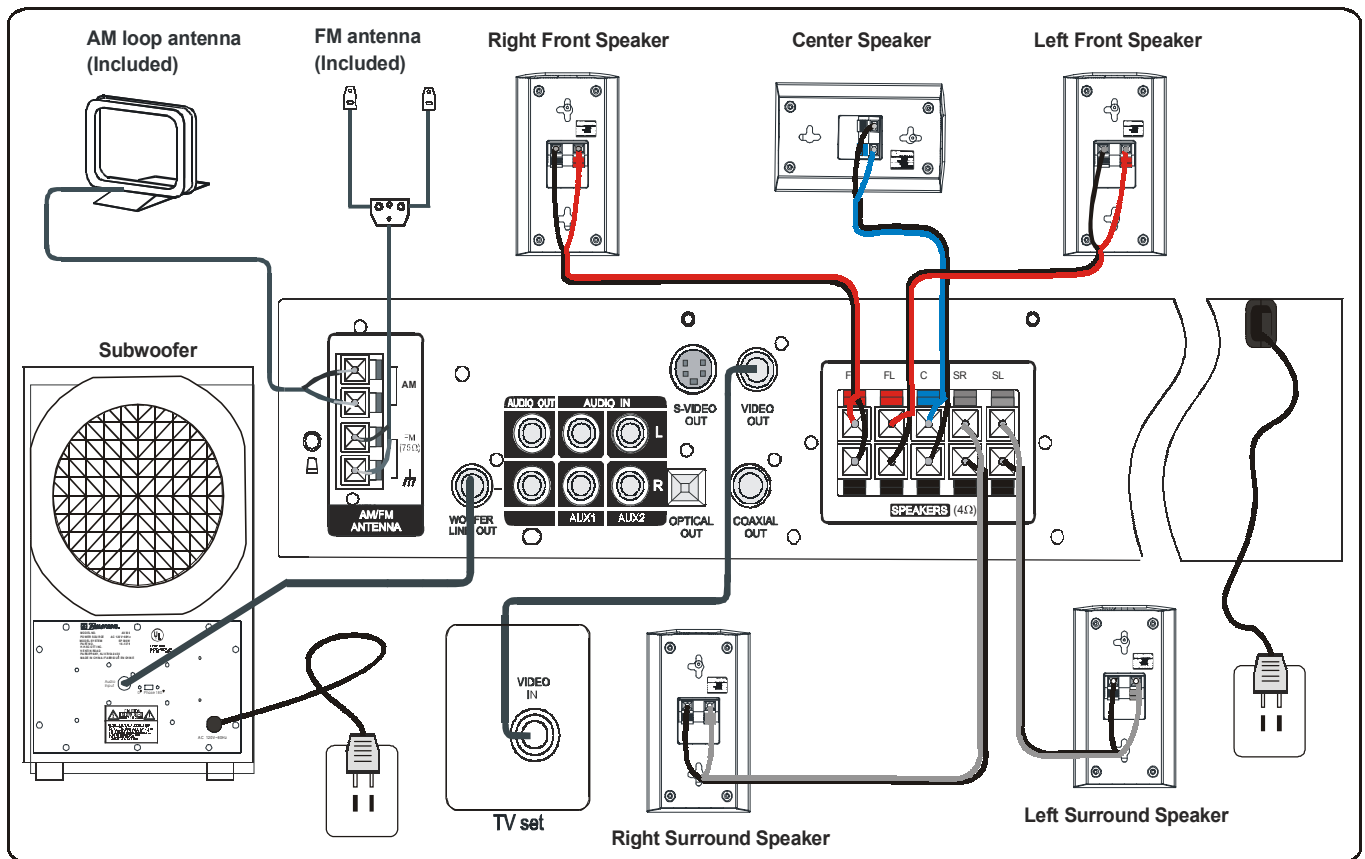
3. Place the main unit in the desired location but do not connect the AC power cord at this time.

4. Refer to the following connection diagram.

- Connect all 6 speakers to the color coded terminals on the back of the main unit using the appropriate color coded speaker cables.
- Connect your TV to the back of the main unit using the supplied video cable (yellow plugs on each end).
- Connect the AM and FM antennas to the back of the main unit.
- Connect the power cords of the main unit and subwoofer to 120V 60 Hz AC household outlets. The STANDBY indicator on the front of the subwoofer turns red.
- Press the **POWER** button on the front of the main unit to turn on the main power, then press the **STANDBY** button on the remote control to put the system into the Standby mode. The red STANDBY indicator turns 'On'.

Note:

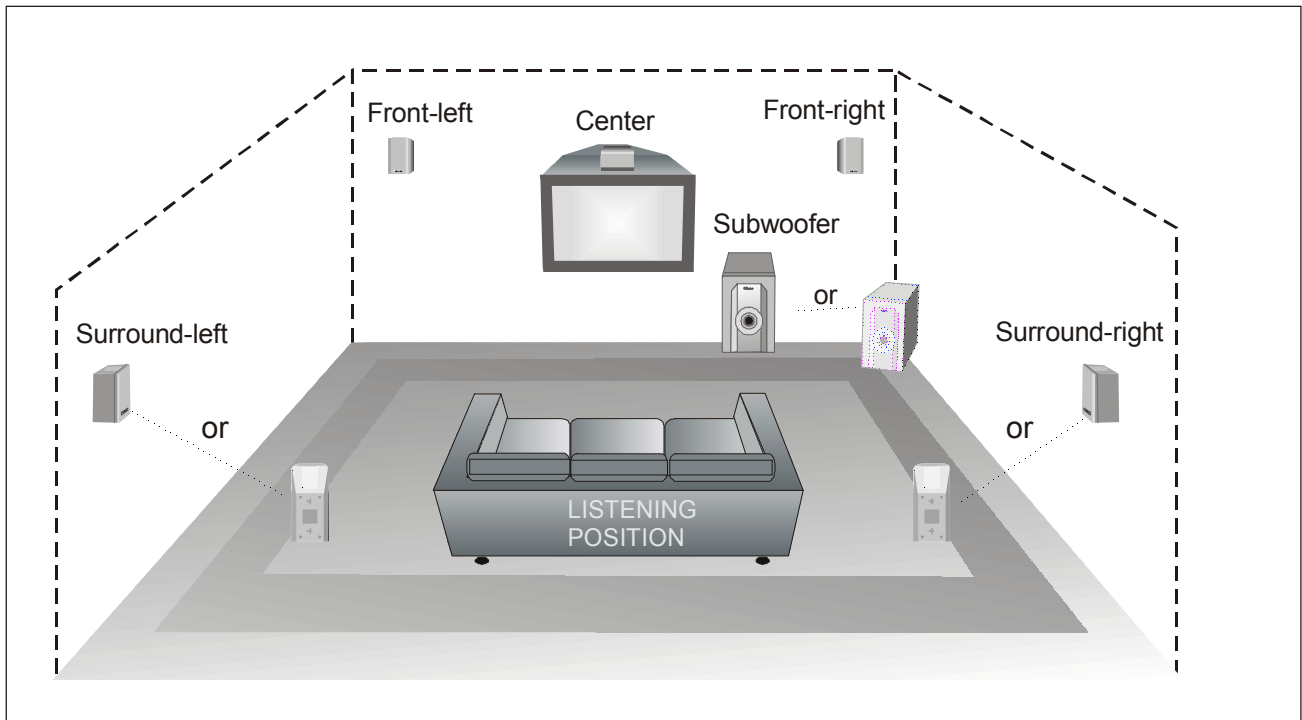
In order to use the remote control to turn the system 'On' and 'Off' the main **POWER** button on the front panel must be 'On'. We suggest that this **POWER** button be left in the 'On' position at all times. If the system will not be used for an extended period - such as a two week vacation, etc - then you can set the main **POWER** button back to the 'Off' position.



POSITIONING THE SPEAKERS

Refer to the following speaker positioning diagram. All 5 satellites should be approximately the same distance from your listening position.

- Place center speaker either directly above or below your TV screen.
- Place front left and right speakers to the left and right of TV at approximately same height as center speaker.
- Place rear left and right speakers either in line with, or behind your listening position, at ear level, or slightly above, when seated.
- Place subwoofer on floor in front of room, either next to TV or in corner, facing your listening position.



DVD PLAYBACK

1. Turn on your TV. If necessary use your TV remote to select the external video source such as AUX, VIDEO, etc.
2. Press the **STANDBY** button on the AV300 remote control. The Emerson DVD logo screen should appear on your TV.
3. Press the **OPEN/CLOSE** button on the AV300 remote control or front panel. Drawer opens. (Note: Remote must be pointed at front of AV300 to operate.)
4. Insert DVD movie disc in tray with printed side up. Press **OPEN/CLOSE** button to close drawer. Player will read disc. On some discs playback will start automatically. On other discs the DVD Menu Screen appears. Press **PLAY/PAUSE** button to begin playback, or use 'arrow' buttons and **ENTER** button to select other playback options from DVD menu.
5. If disc has Dolby Digital, Dolby Pro Logic, or DTS soundtrack, you will hear sound from all 5 satellites plus subwoofer. If disc has stereo soundtrack you may only hear sound from front left and right speakers plus subwoofer.
6. Press **ADJ/VOL** (Adjust Volume) "+" or "-" buttons to adjust volume level.
7. When finished watching press **STOP** and/or **OPEN CLOSE**. Remove disc, press **STANDBY** to turn off AV300. The STANDBY indicator turns 'On'. Also turn off your TV.

IMPORTANT INFORMATION ABOUT INDIVIDUAL DVD DISC MENUS

There is no universal standard for the audio default setting of individual DVD movie discs. Some DVD movie discs have both Dolby Digital and DTS audio soundtracks in addition to Dolby Pro Logic and normal stereo. Some discs will automatically begin playback after they are inserted in the player and the drawer is closed. On other discs a "Disc Menu" will appear and playback will not begin until you press the **PLAY/PAUSE** or **ENTER** buttons. The "Disc Menu" also allows you select the type of audio output and the languages for the soundtrack and subtitles. It may also allow you to jump to a specific scene or chapter, and play some special features if included on the disc.

The producer of the disc decides which default settings to use. For example the disc producer may decide to use "2 channel stereo" as the default audio setting on a particular movie disc. If you do not change the default setting on the Disc Menu the soundtrack will be heard in stereo, only from the front left and right speakers and the subwoofer.

The producer of the disc may decide to use a different language as the default setting for the audio soundtrack and the subtitles, especially if it is a foreign film. They may also decide to use subtitles 'On' as their default setting in the Disc Menu. If you prefer to hear the soundtrack in English and cancel the subtitles you must use the Navigation buttons (</>/^/▼) and **ENTER** button on the remote control to select the appropriate options in the Disc Menu.

If you begin playing the disc and find that the settings are not what you expected (for example, the subtitles are 'On' or not all speakers are operating), press the RETURN button on the remote control to 'return' to the Disc Menu. Then use the Navigation buttons (</>/^/▼) and the ENTER button to select the desired settings and resume playback.

For additional information about individual Disc Menus please refer to page 22 of the Owner's Manual.

CD PLAYBACK

Note:

It is not necessary to turn 'On' your TV to listen to audio CDs.

1. Press **STANDBY** button on AV300 remote. The front panel display comes 'On'.
2. Press **OPEN/CLOSE** button on AV300 front panel or remote control. Drawer opens.
3. Insert your CD in the drawer with label side up. Press **OPEN/CLOSE** button to close drawer. Player reads disc and display shows total tracks and playing time.
4. Press **PLAY/PAUSE** button to begin playback. (Note: For audio CDs the sound will only be heard from the front left and right speakers and the subwoofer.)
5. Press **ADJ/VOL** (Adjust Volume) "+" or "-" buttons to adjust volume level.
6. When finished listening press **STOP** and/or **OPEN/CLOSE**. Remove disc, press **STANDBY** to turn off AV300.

LISTENING TO RADIO

1. Press **STANDBY** button on AV300 remote control to turn the system 'On'.
2. Press **TUNER** button on remote to select Tuner function. Press **TUNER** button again to switch between AM and FM bands.
3. Press **TUN -** or **TUN +** buttons on remote control until desired radio station frequency appears on the front panel display.
4. Press **ADJ/VOL** (Adjust Volume) "+" or "-" buttons to adjust volume. (Note: If station is broadcasting in stereo the sound will only be heard from the front left and right speakers and the subwoofer.)
5. When finished listening press the **STANDBY** button to turn the system 'Off'.