

ServShield

Protect your equipment from dust, dirt,
and moisture with ServShield.



**Customer
Support
Information**

Order toll-free in the U.S.: Call 877-877-BBOX (outside U.S. call 724-746-5500)
FREE technical support 24 hours a day, 7 days a week: Call 724-746-5500 or fax 724-746-0746
Mailing address: Black Box Corporation, 1000 Park Drive, Lawrence, PA 15055-1018
Web site: www.blackbox.com • E-mail: info@blackbox.com

Trademarks Used in this Manual

Trademarks Used in this Manual

Black Box and the Double Diamond logo are registered trademarks of BB Technologies, Inc.

PLEXIGLAS is a registered trademark of Rohm & Haas Company.

UL is a registered trademark of Underwriters Laboratories, Inc.

Any other trademarks mentioned in this manual are acknowledged to be the property of the trademark owners.

We're here to help! If you have any questions about your application or our products, contact Black Box Tech Support at **724-746-5500** or go to **blackbox.com** and click on "Talk to Black Box." You'll be live with one of our technical experts in less than 30 seconds.

Federal Communications Commission and Industry Canada Radio Frequency Interference Statements

This equipment generates, uses, and can radiate radio-frequency energy, and if not installed and used properly, that is, in strict accordance with the manufacturer's instructions, may cause interference to radio communication. It has been tested and found to comply with the limits for a Class A computing device in accordance with the specifications in Subpart B of Part 15 of FCC rules, which are designed to provide reasonable protection against such interference when the equipment is operated in a commercial environment. Operation of this equipment in a residential area is likely to cause interference, in which case the user at his own expense will be required to take whatever measures may be necessary to correct the interference.

Changes or modifications not expressly approved by the party responsible for compliance could void the user's authority to operate the equipment.

This digital apparatus does not exceed the Class A limits for radio noise emission from digital apparatus set out in the Radio Interference Regulation of Industry Canada.

Le présent appareil numérique n'émet pas de bruits radioélectriques dépassant les limites applicables aux appareils numériques de la classe A prescrites dans le Règlement sur le brouillage radioélectrique publié par Industrie Canada.

Instrucciones de Seguridad (Normas Oficiales Mexicanas Electrical Safety Statement)

1. Todas las instrucciones de seguridad y operación deberán ser leídas antes de que el aparato eléctrico sea operado.
2. Las instrucciones de seguridad y operación deberán ser guardadas para referencia futura.
3. Todas las advertencias en el aparato eléctrico y en sus instrucciones de operación deben ser respetadas.
4. Todas las instrucciones de operación y uso deben ser seguidas.
5. El aparato eléctrico no deberá ser usado cerca del agua—por ejemplo, cerca de la tina de baño, lavabo, sótano mojado o cerca de una alberca, etc.
6. El aparato eléctrico debe ser usado únicamente con carritos o pedestales que sean recomendados por el fabricante.
7. El aparato eléctrico debe ser montado a la pared o al techo sólo como sea recomendado por el fabricante.
8. Servicio—El usuario no debe intentar dar servicio al equipo eléctrico más allá a lo descrito en las instrucciones de operación. Todo otro servicio deberá ser referido a personal de servicio calificado.
9. El aparato eléctrico debe ser situado de tal manera que su posición no interfiera su uso. La colocación del aparato eléctrico sobre una cama, sofá, alfombra o superficie similar puede bloquea la ventilación, no se debe colocar en libreros o gabinetes que impidan el flujo de aire por los orificios de ventilación.
10. El equipo eléctrico debe ser situado fuera del alcance de fuentes de calor como radiadores, registros de calor, estufas u otros aparatos (incluyendo amplificadores) que producen calor.
11. El aparato eléctrico deberá ser conectado a una fuente de poder sólo del tipo descrito en el instructivo de operación, o como se indique en el aparato.
12. Precaución debe ser tomada de tal manera que la tierra física y la polarización del equipo no sea eliminada.
13. Los cables de la fuente de poder deben ser guiados de tal manera que no sean pisados ni pellizcados por objetos colocados sobre o contra ellos, poniendo particular atención a los contactos y receptáculos donde salen del aparato.
14. El equipo eléctrico debe ser limpiado únicamente de acuerdo a las recomendaciones del fabricante.
15. En caso de existir, una antena externa deberá ser localizada lejos de las líneas de energía.
16. El cable de corriente deberá ser desconectado del cuando el equipo no sea usado por un largo periodo de tiempo.
17. Cuidado debe ser tomado de tal manera que objetos líquidos no sean derramados sobre la cubierta u orificios de ventilación.
18. Servicio por personal calificado deberá ser provisto cuando:
 - A: El cable de poder o el contacto ha sido dañado; u
 - B: Objetos han caído o líquido ha sido derramado dentro del aparato; o
 - C: El aparato ha sido expuesto a la lluvia; o
 - D: El aparato parece no operar normalmente o muestra un cambio en su desempeño; o
 - E: El aparato ha sido tirado o su cubierta ha sido dañada.

Preface	6
Safety Symbols Used in This Manual	6
Safety Considerations	6
1. Specifications	7
1.1 ServShield	7
1.2 Shelf	7
1.3 Fan	7
1.4 ServShield Size	8
2. Overview	10
2.1 Introduction	10
2.2 What's Included	10
2.3 Optional Accessories	10
3. Installation	11
3.1 Receiving, Unpacking, and Removing the ServShield Enclosure from the Pallet	11
3.2 Loading Equipment	11
3.3 Power	11
3.4 Protective Grounding	12
3.4.1 Connecting the Main Protective Grounding Stud to the Dedicated Branch Circuit Ground Connector	12
3.4.2 Connecting the Main Protective Grounding Stud to the Protective Bonding Conductors	12
3.4.3 Parts Not Bonded to Protective Earthing Terminal	12
3.4.4 Shelves Bonding	12
4. Operation	13
4.1 Leveling the Cabinet	13
4.2 Removing the Doors	13
4.3 Fan Assembly (RF207) and Rear Door Fan Filter (RM475)	13
4.4 Front Door Filter (RM476)	14
4.5 Mounting Rails	16
5. Service	17

Preface/Safety Symbols Used in This Manual

Preface

This manual is provided to prevent service personnel from committing an act that results in the risk of fire, electric shock, or injury to persons. Only trained service personnel should receive, unpack, and assemble the ServShield Enclosure. In addition, only trained service personnel should install equipment in enclosures.

Safety Symbols Used in this Manual

This manual provides general safety guidelines to be observed during installation, operation, and maintenance of the ServShield enclosure.



WARNING: Failure to follow directions in the warning could result in injury to persons or loss of life.



CAUTION: Failure to follow directions in the caution could result in damage to equipment or storage data.

Safety Considerations



WARNING: Improper handling and use of the ServShield enclosure could result in equipment damage, serious injury, or possible death.

Only trained service personnel should be used to remove the enclosure from the pallet. Also, be sure you have a sufficient number of service personnel. Do not attempt to move enclosures by yourself.

Only UL® Listed ITE units should be installed inside the ServShield cabinet.

Be sure to read and follow all individual manufacturer equipment manuals for safety and installation instructions.

The ServShield Cabinet was not evaluated as a fire enclosure.

Proper spacing is required when installing electrical equipment to avoid electrical shock. Maintain minimum spacing between the accessories and components and the computer enclosure assembly for safe operation of the equipment when installed in accordance with the National Electric Code ANSI/NFPA 70-1999.

The ambient temperature operating range for the ServShield enclosure and accessories is +50 to +95° F (+10 to +35° C).

The non-operating temperature is -4 to +140° F (-20 to +60° C).

1. Specifications

1.1 ServShield

Capacity — Cabinet: 600 lb. (272 kg);
Vented Stationary Shelf: 150 lb. (68 kg)

Certifications — ServShield: UL® Listed;
Fan Unit: UL® E191535

Construction —
Body: 18-gauge steel;
Doors: 18-gauge steel;
Rails: 14-gauge steel

19" EIA Rails — Mounting type: M6;
Mounting height: Top rails: 14U;
Bottom rails: 17U front, 23U rear;
Rail depth: Top rails: 4.5" (11.4 cm) minimum, 33" (83.8 cm) maximum;
Bottom rails: 5.5" (13.9 cm) minimum, 33" (83.8 cm) maximum

Fan Unit Airflow Rate — 225 CFM

Finish — Black powder coat

Grounding — Ground studs located on front and rear doors and base frame

Keyboard Tray — 20"W x 9.75"D (50.8 x 24.8 cm)

Writing Area — 20.7"W x 7.5"D (52.6 x 62.9 cm)

PLEXGLAS® Thickness — 0.2" (0.5 cm)

1.2 Shelf (RM399)

Capacity — 200 lb. (49.9 kg)

Size — 19"W x 22"D (48.3 x 55.9 cm)

1.3 Fan (RF207)

Airflow Rate — 225 CFM

Approvals — UL® E191535

1.4 ServShield Size

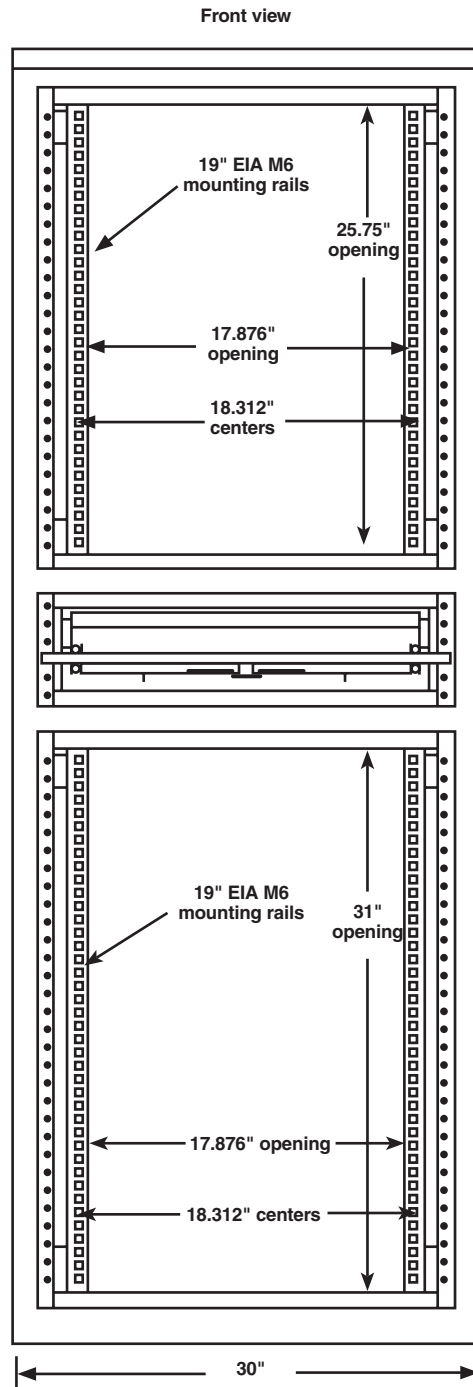


Figure 1-1. Front dimensions.

NOTE: The front door has been removed for clarity.

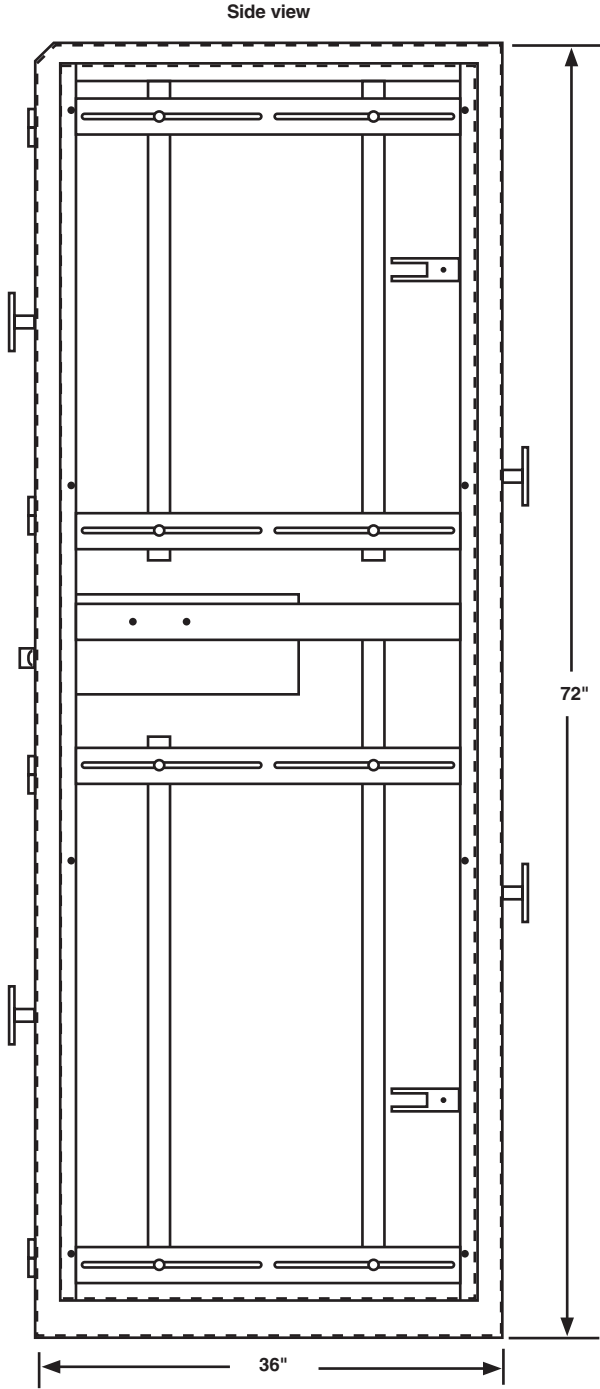


Figure 1-2. Side dimensions.

NOTE: The side panel has been removed for clarity.

2. Overview

2.1 Introduction

ServShield protects your computer hardware in manufacturing environments and other industrial areas subject to harsh conditions.

The cabinet is constructed of steel and it holds 600 pounds (272 kg) of equipment. The cabinet is preassembled, so it's easy to set up and use. Cabinet components include: upper, clear PLEXIGLAS® door; isolated, steel middle keyboard drawer; steel, perforated lower front door with dust filter; steel rear door furnished with fan assembly and dust filters; a gland plate (12" L x 2.5" W [30.5 x 6.4 cm]), which provides cable access on the bottom of the enclosure; one vented stationary shelf for mounting a monitor (200-lb. [90.8-kg] weight capacity); rubber casters; and leveling glides. All doors have compression latches and locks. Cabinet dimensions are 72" H x 30" W x 36" D (182.9 x 76.2 x 91.4 cm).

The top Plexiglas door, middle keyboard door, bottom front door, and rear door are keyed the same.

2.2 What's Included

- ServShield unit (assembled) with casters and leveling legs
- (4) sets of keys
- (30) M6 cage nuts
- (30) M6 screws
- This user's manual

2.3 Optional Accessories

You may also need the following:

- 19" (48.3 cm) Sliding, Adjustable Tower Shelf (RM471)—at 19" (48.3 cm) high and 22" (55.9 cm) deep, this sliding shelf holds network hardware weighing up to 110 pounds (49.9 kg).
- 19" (48.3 cm) Fixed, Shelf (RM399)—at 19" (48.3 cm) high and 22" (55.9 cm) deep, this fixed shelf holds network hardware weighing up to 200 pounds (99 kg)
- Fan assembly (RF207)
- Rear door fan filter (RM475)
- Front door filter (RM476)
- Power strip mounting brackets (RM3055)

3. Installation

3.1 Receiving, Unpacking, and Removing the ServShield Enclosure from the Pallet

Inspect for damage and report any before receiving. For what's included in the package, refer to Section 2.2.

Unpack the enclosure by carefully removing the corrugated carton and corners. Avoid damaging the enclosure when removing packaging.



WARNING: Only trained service personnel should be used to remove the enclosure from the pallet. Also, be sure you have a sufficient number of service personnel. Do not attempt to move enclosures by yourself.



WARNING: Be careful when moving enclosures before installation. Sudden stops and starts, excessive force, obstructed routes, and uneven floor surfaces may cause the enclosure to topple over.

3.2 Loading Equipment



WARNING: Only install equipment after the ServShield enclosure has been properly secured. Do not move the ServShield enclosure assembly while loaded.

Once in place at the desired/intended location, deploy the leveling feet for maximum stability.

Rated or maximum load capacity for the ServShield Enclosure is 600 pounds.

To maintain a uniform distribution of the mechanical load in the ServShield, load the heaviest modules, equipment first, at the bottom of the ServShield enclosure and load the lighter units at the top.

3.3 Power

When using power distribution units (PDUs), each PDU should be connected to a committed branch circuit that is rated for the continuous load of all the equipment connected.

When not using a PDU, each piece of equipment should be connected to a dedicated branch circuit.

3.4 Protective Grounding

Protective grounding studs are provided along with grounding jumper wires that electrically bond the enclosure doors to the enclosure chassis.



WARNING: To avoid injury to persons or loss of life, ground each enclosure individually to the dedicated branch circuit ground.

3.4.1 Connecting Main Protective Grounding Stud to the Dedicated Branch Circuit Ground

Connect the dedicated branch circuit ground connector to the main protective grounding stud located inside at the bottom rear of the enclosure chassis using a listed ring or closed-loop terminal.

3.4.2 Connecting Main Protective Grounding Stud to the Protective Bonding Conductors

Connect the rear doors to the main protective grounding studs located inside at the bottom and top rear of the enclosure chassis using a listed ring or closed-loop terminal. Connect the front door to the grounding stud located inside at the bottom front of the enclosure chassis using a listed ring or closed-loop terminal.

3.4.3 Parts Not Bonded to Protective Earthing Terminal

The following parts are not effectively bonded to the protective earthing terminal: rails, front to back rail horizontals, and the keyboard assembly. If these parts need to be bonded to the protective earthing terminal, do so in accordance with Article 250 of the National Electric Code.

3.4.4 Shelves Bonding

Accessory shelves should be reliably secured and bonded to the ServShield enclosure rails by thread cutting screws, star washers, and nuts.

4. Operation

4.1 Leveling the Cabinet

ServShield cabinets are shipped with both casters and leveling glides for your convenience. Two casters have brakes that you can activate by turning the brake level on the side of the wheel. You can lower the leveling legs by turning the leveling glide to the proper height using a $\frac{3}{4}$ " open-ended wrench.

4.2 Removing the Doors

The top and bottom front locking doors and the rear locking door are removable. To remove a door, open the door beyond 90 degrees. Then grasp the door with both hands, and carefully lift upward. When the door is free of the hinge pins, pull the door away from the enclosure. To attach the door, align all the hinges (two on the front doors and three on the rear door) and slowly slide the door down until seated.

4.3 Fan Assembly (RF207) and Rear Door Fan Filter (RM475)

The fan assembly (RF207) is already installed in the rear door. The part number for the rear fan filter is RM475. If you need to replace a filter, follow these steps:

1. Replace one filter at a time. The 12 screws, which hold the filters in place, are the only thing holding on the fan assembly. If you replace one filter at a time, you only have to remove four screws at a time, which means you don't have to remove the fan assembly. See Figure 4-1.
2. Remove the fan filter cover—it snaps off.
3. Remove the four #8-32 x $\frac{3}{4}$ " screws holding the filter on the door.
4. Replace the filter, using the same four #8-32 x $\frac{3}{4}$ " screws.
5. Replace the fan filter cover.
6. Repeat Steps 2 through 5 for the remaining two filters.

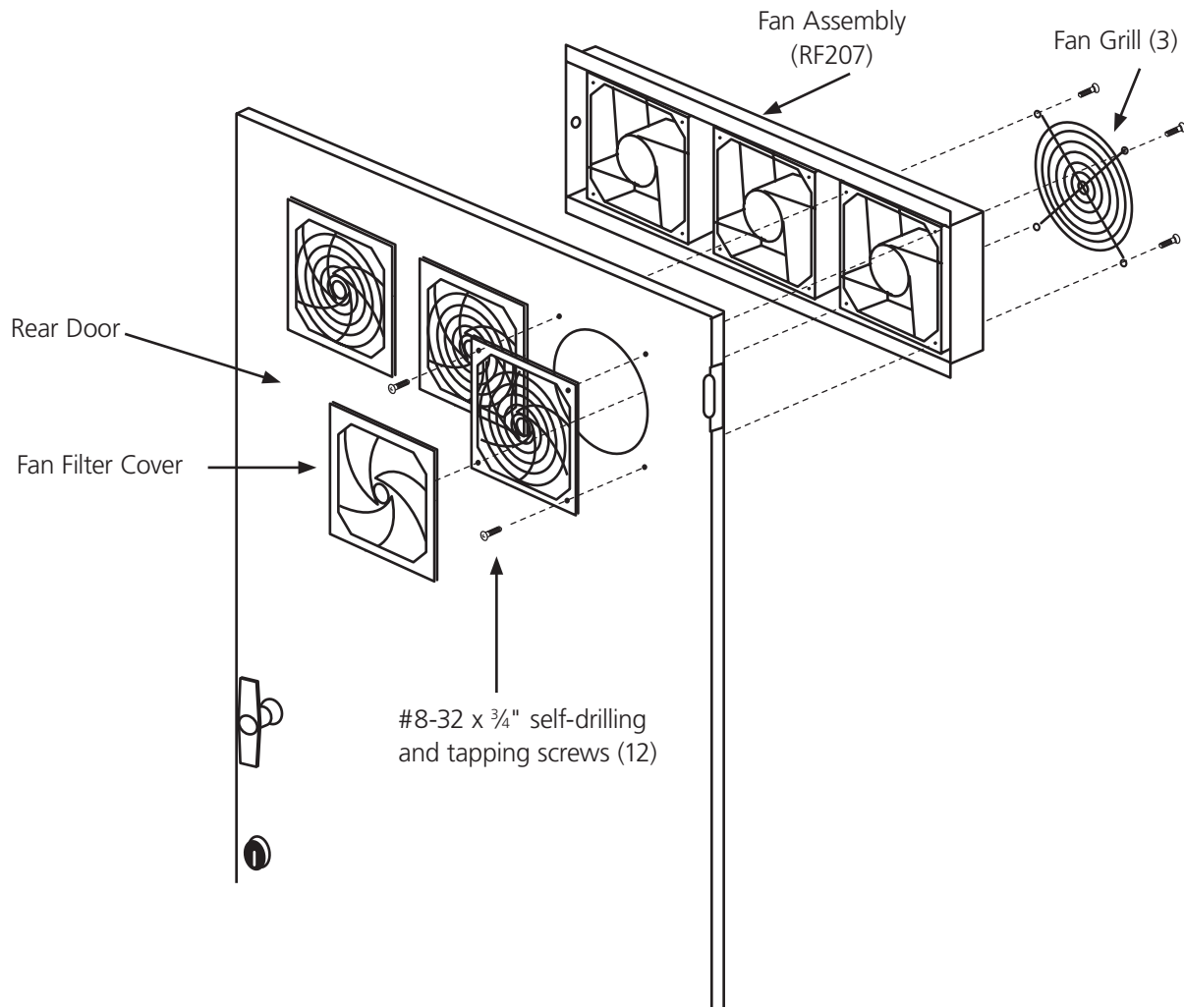


Figure 4-1. Replacing a Rear Door Fan Filter.

4.4 Front Door Filter (RM476)

You can easily remove the filter on the front door to clean or replace it. The part number for the front door filter is RM476. To remove the filter, remove the two wing nuts on the top of the filter, swing the filter bracket down and remove the filter. See Figure 4-2.

The life of the filter depends on the environment the ServShield is installed in. You can vacuum the filters or wash them in warm water with mild detergent. We recommend vacuuming the filter to keep it in peak condition. If you choose to wash the filter, do so only once and replace it with a new filter when it gets dirty again.

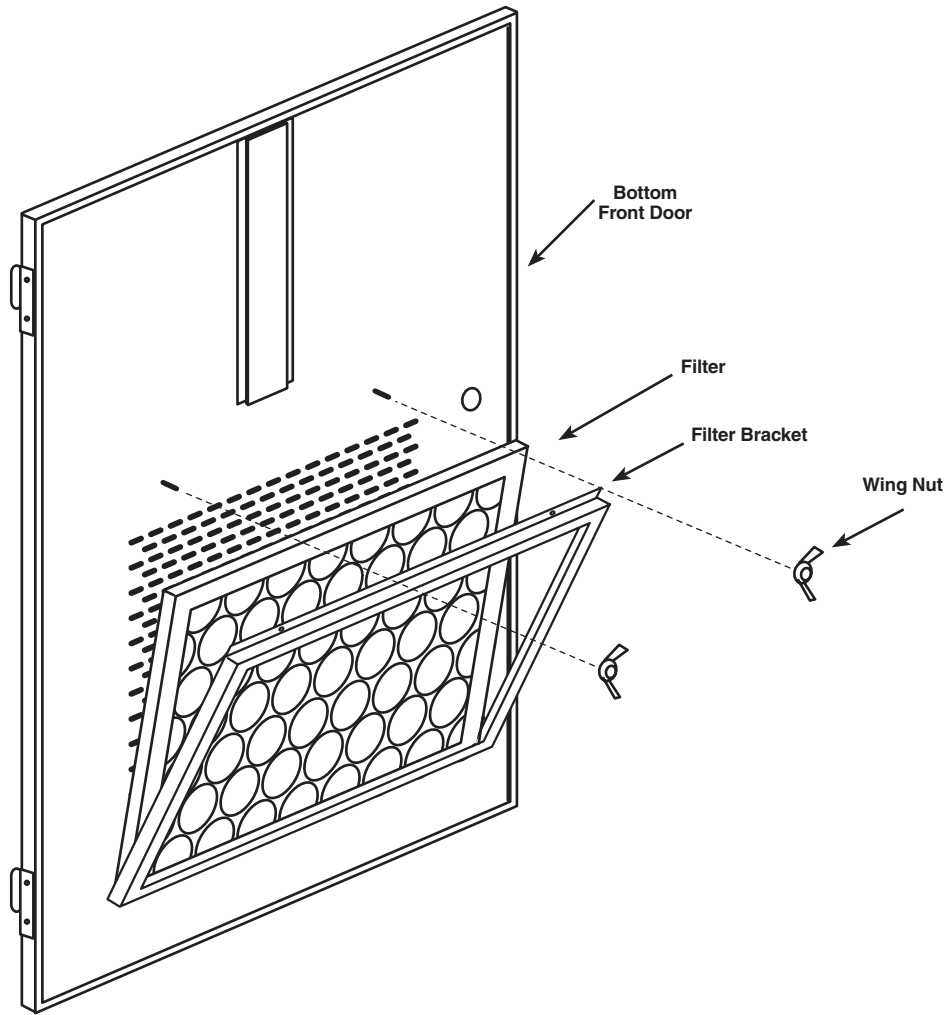


Figure 4-2. Replacing the Front Door Filter.

4.5 Mounting Rails

Two pairs of vertical M6 steel mounting rails in the top and bottom of the ServShield enclosure are used to mount equipment in the rack. The upper rails have 14U (24.5") of rack mounting space and the bottom rails have 17U (29.75") of rack mounting space in the front and 23U (40.25 cm) in the rear.

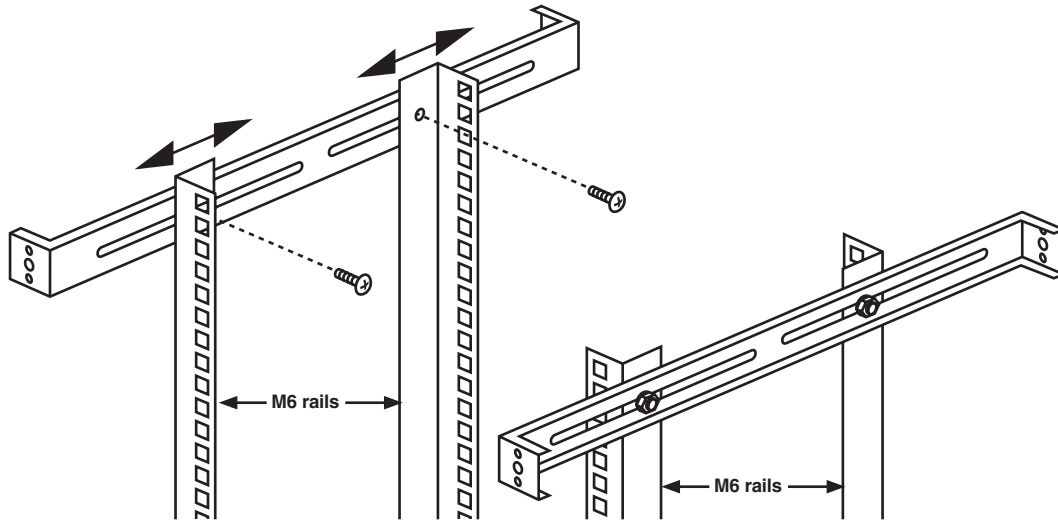


Figure 4-3. Mounting Rails.

5. Service

The ServShield Enclosure should be repaired by personnel trained by Black Box, or returned to Black Box for repair or replacement. Contact Black Box Technical Support at 724-746-5500 or info@blackbox.com.

Black Box Tech Support: FREE! Live. 24/7.

Tech support the
way it should be.



Great tech support is just 30 seconds away at 724-746-5500 or blackbox.com.



About Black Box

Black Box provides an extensive range of networking and infrastructure products. You'll find everything from cabinets and racks and power and surge protection products to media converters and Ethernet switches all supported by free, live 24/7 Tech support available in 30 seconds or less.

© Copyright 2011. Black Box Corporation.