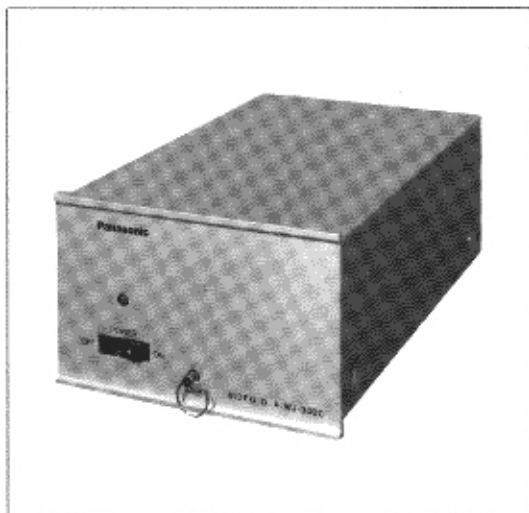


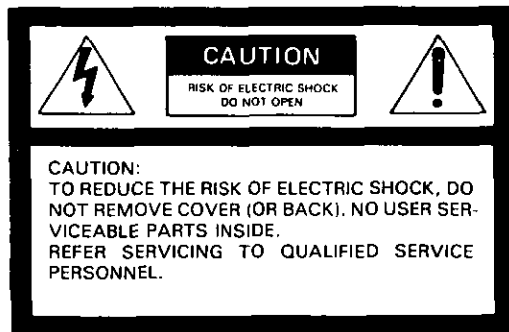
Video Distribution Amplifier
WJ-300C

Operating Instructions



Panasonic[®]

Before attempting to connect or operate this product, please read these instructions completely.



SA 1965

The lightning flash with arrowhead symbol, within an equilateral triangle, is intended to alert the user to the presence of uninsulated "dangerous voltage" within the product's enclosure that may be of sufficient magnitude to constitute a risk of electric shock to persons.



SA 1966

The exclamation point within an equilateral triangle is intended to alert the user to the presence of important operating and maintenance (servicing) instructions in the literature accompanying the appliance.

For U.S.A.

Warning:

This equipment generates and uses radio frequency energy and if not installed and used properly, i.e., in strict accordance with the instruction manual, may cause harmful interference to radio communications. It has been tested and found to comply with the limits for a Class A computing device pursuant to Subpart J of Part 15 of FCC Rules, which are designed to provide reasonable protection against such interference when operated in a commercial environment.

For CANADA

This digital apparatus does not exceed the Class A limits for radio noise emissions from digital apparatus set out in the Radio Interference Regulations of the Canadian Department of Communications.

The serial number of this product may be found on the bottom of the unit. You should note the serial number of this unit in the space provided and retain this book as a permanent record of your purchase to aid identification in the event of theft.

Model No. _____

Serial No. _____

WARNING:

TO PREVENT FIRE OR SHOCK HAZARD, DO NOT EXPOSE THIS APPLIANCE TO RAIN OR MOISTURE.

CONTENTS

PREFACE	2
FEATURES	2
PRECAUTIONS	2
MAJOR OPERATING CONTROLS AND THEIR FUNCTIONS	3
CONNECTIONS	6
RACK MOUNTING	9
SPECIFICATIONS	10

PREFACE

The Panasonic Video Distribution Amplifier, model WJ-300C, was designed to distribute the color/monochrome video signal. Incorporates a video input selection switch, it enables the distribution of six (6) isolated video outputs from one (1) video input or three (3) each outputs from two (2) separated video inputs.

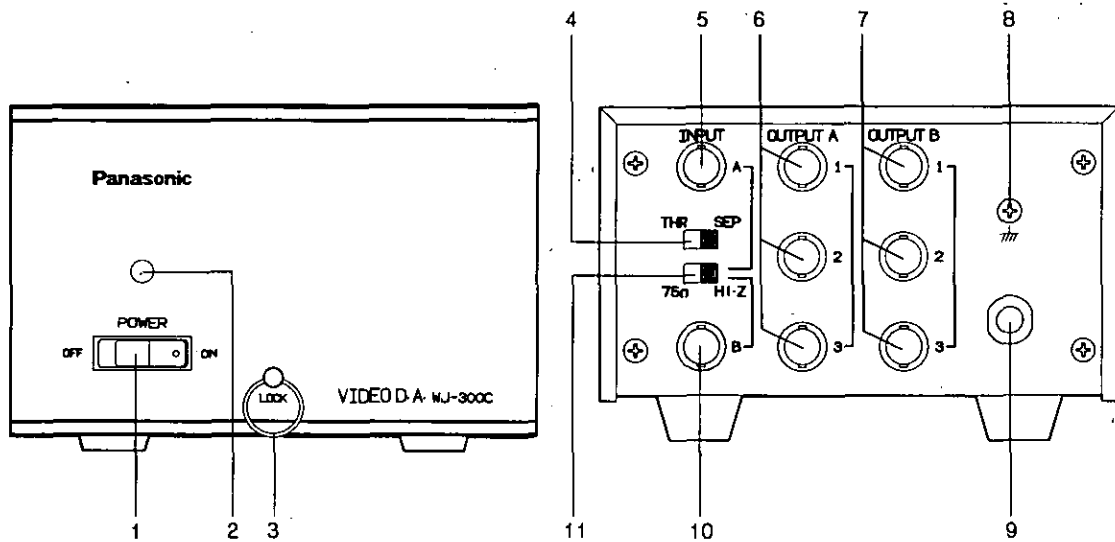
FEATURES

1. One (1) input for six (6) outputs or two (2) different inputs for three (3) outputs each.
2. High stability and durability in operation with new circuitry.
3. Rack mountable or table top use.

PRECAUTIONS

1. Keep power switch off while making cable connections.
2. Operate this unit within a temperature range of 14°F to 122°F (-10°C - +50°C) and humidity is below 90%.
3. Power source should be 120V AC, 60Hz.
4. Do not attempt to disassemble the unit. In order to prevent electrical shock, do not remove covers. There are no user-serviceable parts inside.
5. Do not use strong or abrasive detergents when cleaning the unit. Do use a dry cloth to clean the unit when dirty.
6. All necessary procedures with regard to the installation of this product should be made by qualified service personnel or system installers.

MAJOR OPERATING CONTROLS AND THEIR FUNCTIONS



1. **Power ON/OFF Switch (POWER ON/OFF)**

2. **Power Indicator**

This indicator lights when the power switch is turned on.

3. **Handle/Lock Ring (LOCK)**

This ring should be used when the unit is mounted on the rack.

4. **Input Selection Switch (THR/SEP)**

This switch is used when selecting the input signal from single input or dual input.

(a) **THR position**

When a single video signal is supplied to the Input A Connector (5) or Input B Connector (10), set this switch to THR position (Fig. 1). This will provide six (6) identical and isolated outputs to the Output A Connector (6) and the Output B Connector (7). The Termination Switch (11) should be set to 75Ω position (Fig. 1).

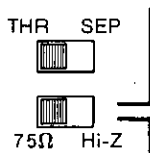


Fig. 1

Note:

When bridging or looping through the input signal, set the Termination Switch (11) to Hi-Z position (Fig. 2).

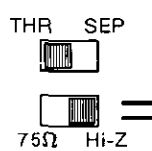


Fig. 2

(b) **SEP position**

When the two (2) different video signals are supplied to the Input A Connector (5) and the Input B Connector (10), set this switch to SEP position (Fig. 3). This will provide three (3) identical and isolated outputs to the Output A Connector (6) and the Output B Connector (7) for each input.

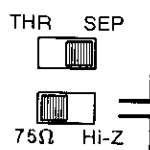


Fig. 3

Note:

When using SEP position for dual video input, each input is automatically terminated with 75 ohms regardless of the setting up of the Termination Switch (11).

5. Input A Connector (INPUT A)

A composite video signal should be supplied to this connector.

Note:

Refer to the operation of the Input Selection Switch (4) and the Termination Switch (11).

6. Output A Connector (OUTPUT A)

Three (3) identical and isolated video signals are provided to these connectors.

Note:

Refer to the operation of the Input Selection Switch (4).

7. Output B Connector (OUTPUT B)

Three (3) identical and isolated video signals are provided to these connectors.

Note:

Refer to the operation of the Input Selection Switch (4).

8. Ground Terminal

9. Power Cord

10. Input B Connector (INPUT B)

A composite video signal should be supplied to this connector.

Note:

Refer to the operation of the Input Selection Switch (4) and the Termination Switch (11).

11. Termination Switch (75Ω HI-Z)

When a single video signal is supplied to either the Input A Connector (5) or the Input B Connector (10), set this switch to 75Ω position. When bridging or looping through the input signal among the Input A Connector (5) and the Input B Connector (10), set this switch to HI-Z position.

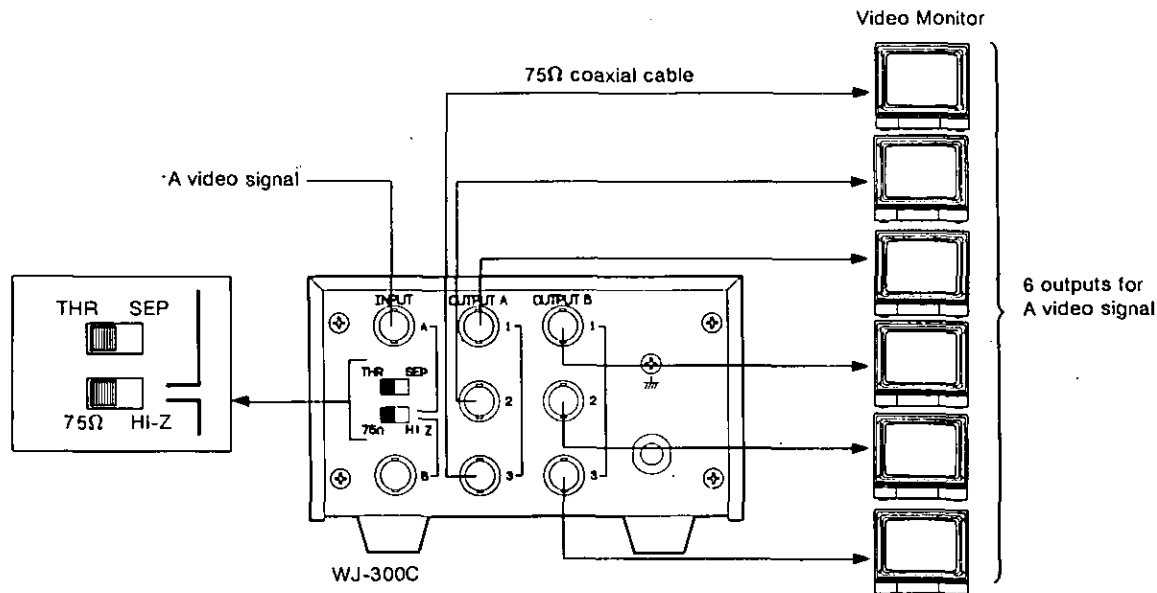
Note:

When the Input Selection Switch (4) is set to the SEP position for the dual input, the Input A Connector (5) and the Input B Connector (10) are automatically terminated with 75 ohms regardless of the setting up of the Termination Switch (11).

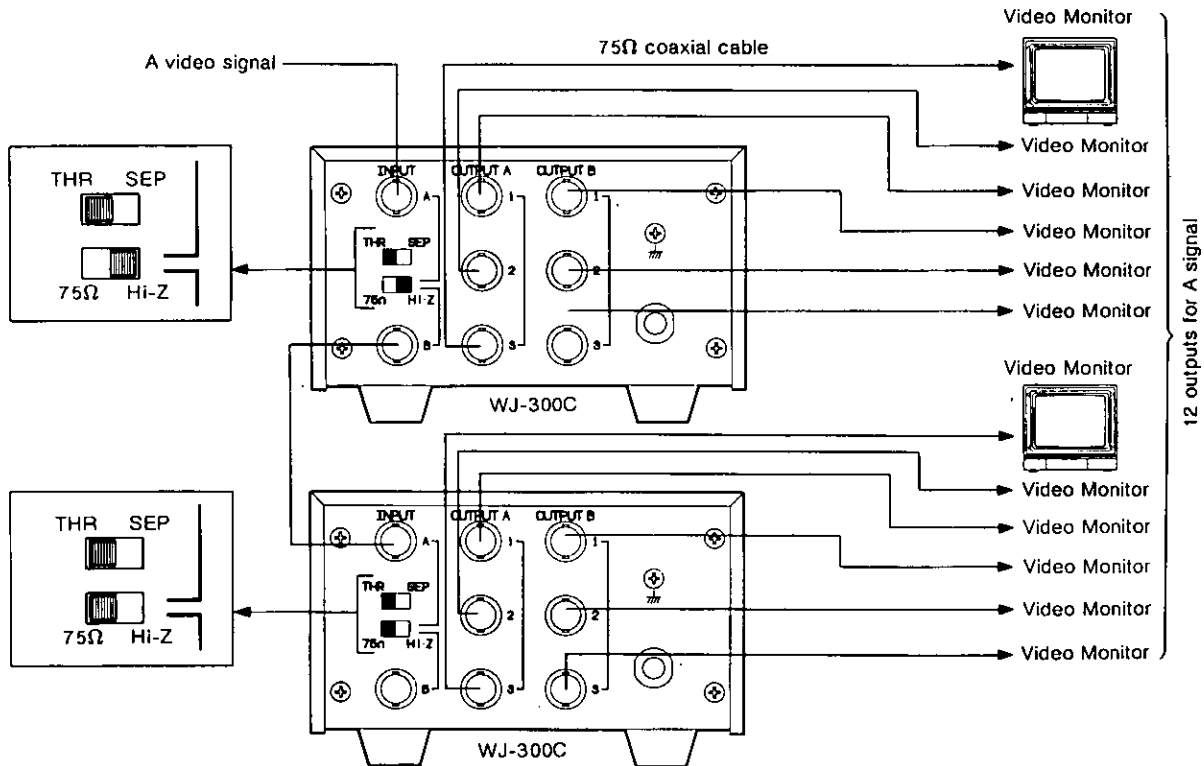
CONNECTIONS

Note: Every output must be terminated with 75Ω at the last connected video monitor.

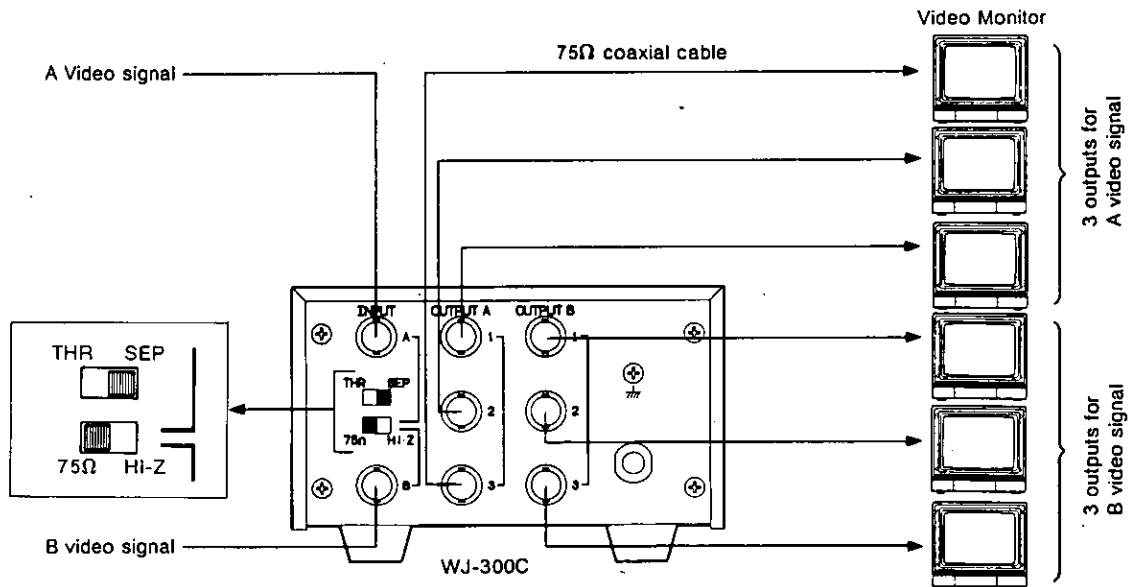
1. One Input ... 6 outputs (no bridging, no looping through)



2. One input ... 12 outputs using 2 Video D.As WJ-300C (bridging or looping through)



3. Two Inputs ... 3 outputs each



Each video input is automatically terminated with 75 ohms regardless of the setting of the Termination Switch (11).

RACK MOUNTING

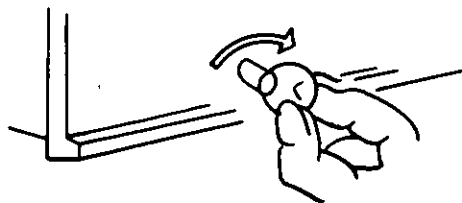
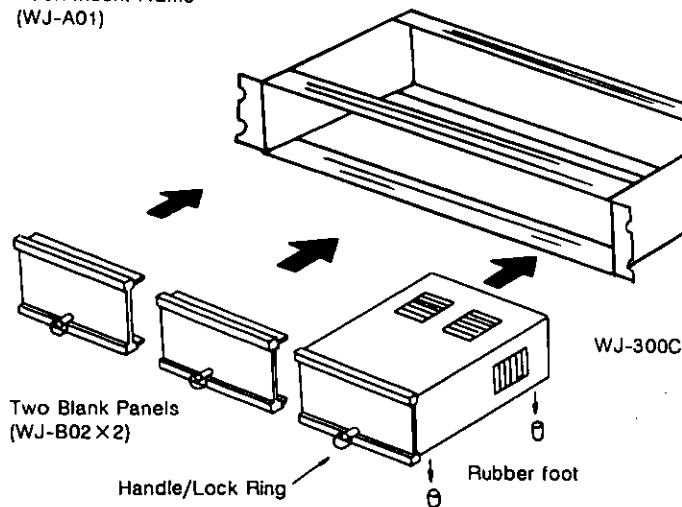
This Video D.A. can be mounted on the 19 inch rack by utilizing the optional Rack Mount Frame and the Blank Panels in the following procedure. The Rack Mount Frame WJ-A01 requires 3-1/2 inches height in a standard 19 inch rack.

1. Mount the Rack Mount Frame WJ-A01 on a rack.
2. Remove four rubber feet from the Video D.A. WJ-300C and turn the Handle/Lock Ring on the front panel fully counterclockwise.
3. Slide Video D.A. and two Blank Panels WJ-B02 into the Rack Mount Frame and turn the Handle/Lock Ring fully counterclockwise to secure products.

Note:

The Handle/Lock Ring also serves as a handle to pull the unit out the rack.

Rack Mount Frame
(WJ-A01)



SPECIFICATIONS

Power Source:	120V AC, 60Hz
Video Input:	1.0Vp-p/75 ohms composite video signal (Maximum 2.0Vp-p)
Video Output:	1.0Vp-p/75 ohms composite video signal (Maximum 2.0Vp-p) 6 outputs for one input 3 outputs each for dual input
Gain:	0dB
Differential Gain:	Less than 0.5%
Differential Phase:	Less than 0.5 degree
Frequency Response:	Within ± 0.2 dB at 8MHz Within ± 0.5 dB at 10MHz
S/N:	Greater than 60dB
Ambient Operating Temperature:	14°F - 122°F (-10°C - +50°C)
Ambient Operating Humidity:	Less than 90%
Power consumption:	Approx. 8W
Dimensions:	5-1/2" (W) \times 3-1/2" (H) \times 8-7/8" (D) (140 (W) \times 88 (H) \times 225 (D) mm)
Weight:	4.12 lbs (1.87kg)

Weights and dimensions shown are approximate.
Specifications are subject to change without notice.

Panasonic

Communications & Systems Company

Division of Matsushita Electric Corporation of America

CLOSED CIRCUIT VIDEO EQUIPMENT DIVISION

Executive Offices: One Panasonic Way, Secaucus, New Jersey 07094

Regional Offices

Northeast Region: 50 Meadowland Parkway, Secaucus, NJ 07094 (201) 348-7303
Southeast Region: 1854, Shackelford Court, Suite 115, Norcross, GA 30093 (404) 925-8835
Midwest Region: 425 E. Algonquin Road, Arlington Heights, IL 60005 (708) 640-5168
Southwest Region: 4500 Amon Carter Blvd., Ft Worth, TX 76155 (817) 685-1117
Western Region: 6550 Katella Ave., Cypress, CA 90630 (714) 373-7265

MATSUSHITA ELECTRIC OF CANADA LIMITED

5770 Ambler Drive, Mississauga, Ontario, Canada L4W 2T3 (416) 624-5010

PANASONIC SALES COMPANY

DIVISION OF MATSUSHITA ELECTRIC OF PUERTO RICO, INC.

San Gabriel Industrial Park, 65th Infantry, Ave. KM. 9.5 Carolina, Puerto Rico 00630 (809) 750-4300

N1290-0

YWV8QA2356AN

Printed in Japan

Ⓝ 15