

Video Conferencing Camera Box

In-Wall Mounting Box for Video Conferencing Camera

by **DRAPER**

Specifications—Video Conferencing Camera Box

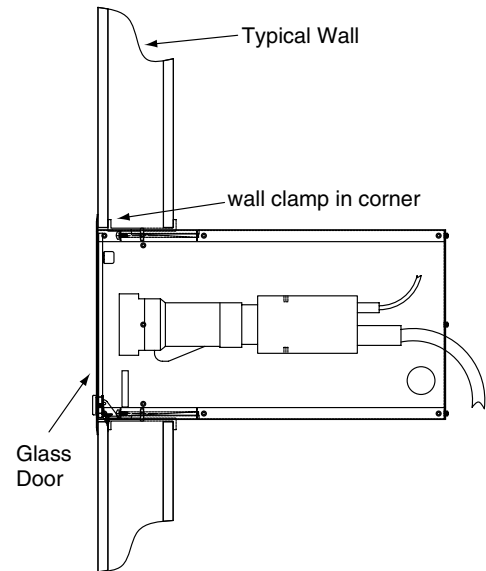
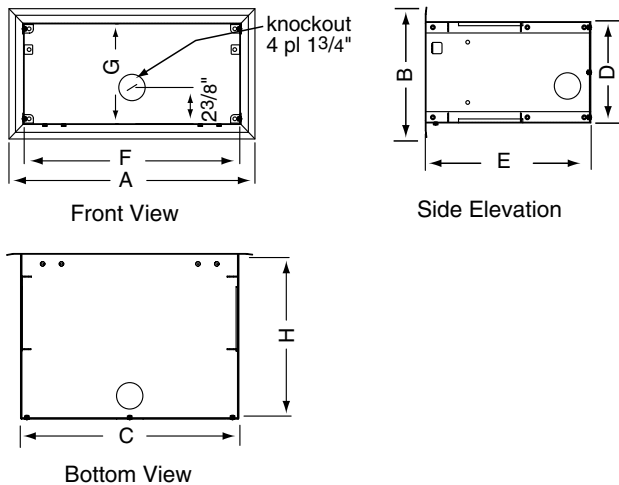
Video Conferencing Camera Boxes by Draper, Inc., Spiceland, IN. Camera box shall be a five-sided formed steel enclosure with glass door front. Five camera box enclosure panels shall be precision formed and punched from 18 gauge cold rolled steel, with a black powdercoat finish. Each camera box shall be provided with four 1 3/4" wire management knockouts—one each in the side, bottom, and back panels. One cable grommet also provided with each camera box. Front of enclosure shall feature 7/8" finishing frame bezel to trim opening in wall. Enclosure will mount to an opening in most walls or panels, and be held firmly in position by built-in "Z Clamps." The Video Conferencing Camera Box may also be screwed to wall studs in any wall thickness. Door of camera box shall be formed of tempered glass, and hinged to allow door to fold down for service or adjustment of enclosed components. The glass is tilted slightly forward to minimize glare. Door protrudes 9 1/2" into room when open. Camera box ships disassembled. Camera Box shall have net weight of 12 lbs & shipping weight of 16 lbs.

Option: Security lock shall secure glass door and keep camera safe. Two keys provided.

Please Mark Appropriate Selections:

- Standard Camera Box
- Camera Box with optional security lock and two keys

Dimensions—Video Conferencing Camera Box



(Camera not included)

Dimensions

Dimension A (O.D.)	16 ⁵ / ₈ "
Dimension B (O.D.)	8 ⁵ / ₈ "
Dimension C (O.D.)	14 ⁷ / ₁₆ "
Dimension D (O.D.)	6 ³ / ₄ "
Dimension E (O.D.)	11"
Dimension F (I.D.)	14 ⁵ / ₁₆ "
Dimension G (I.D.)	6 ⁵ / ₈ "
Dimension H (I.D.)	10 ⁷ / ₈ "
Suggested Rough Opening	7" x 14 ³ / ₄ "

DRAPER

411 S. Pearl St., Spiceland, IN 47385 USA ■ 765-987-7999 ■ fax 765-987-7142
e-mail draper@draperinc.com ■ www.draperinc.com

Copyright © 2004 Draper Inc. Form Vid-Conf-CameraBox_Sub04 Printed in U.S.A.

PROJECT: _____

ARCHITECT: _____

CONTRACTOR: _____

SUPPLIER: _____

DATE: _____ REVISED: _____