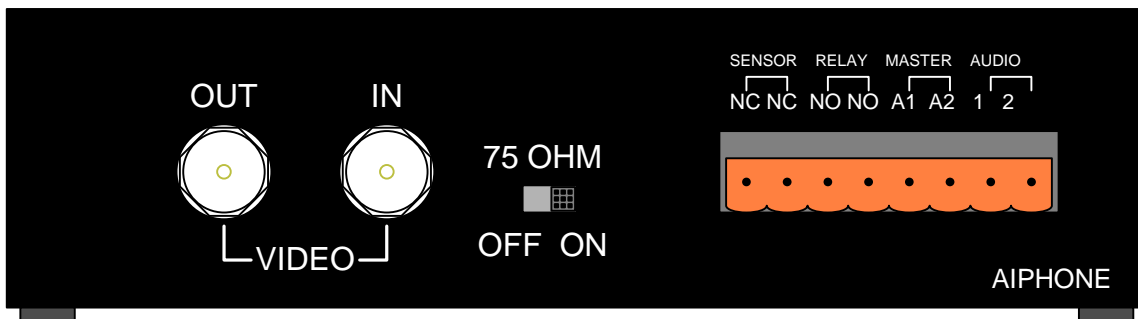


JBW-M

Video Modulator with Audio Door Station and CCTV Interface

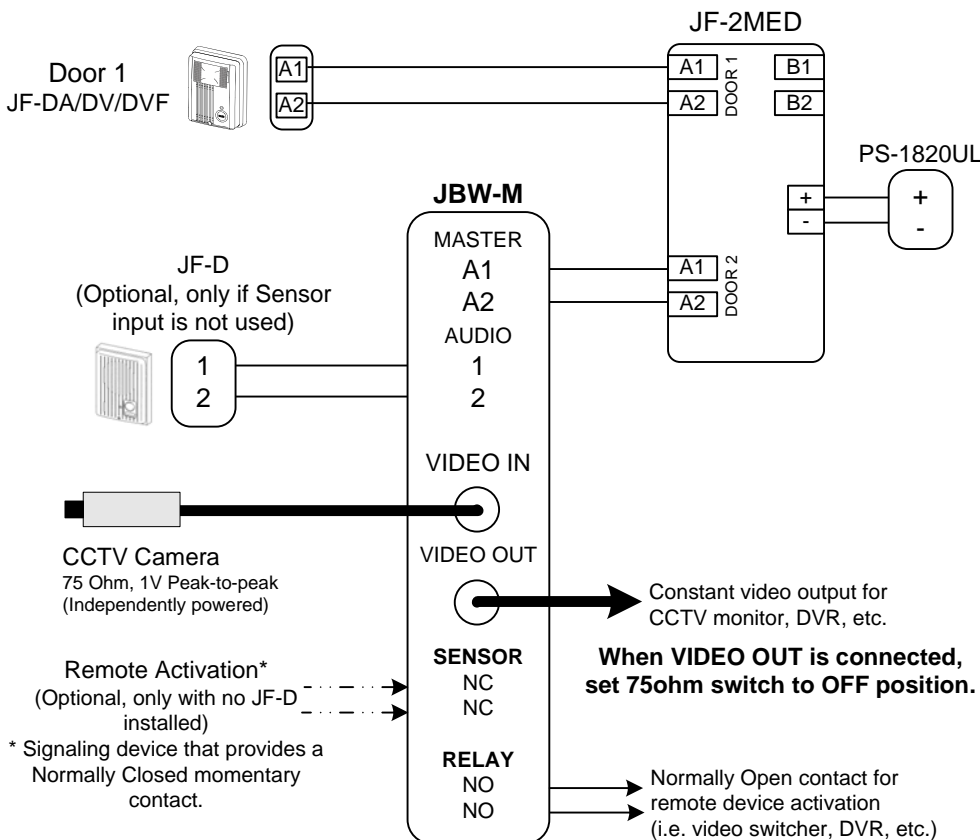
- INSTRUCTIONS -

The JBW-M adaptor converts a standard CCTV camera's signal to a 2-wire signal and is compatible with the JF Open Voice Color Video system. This allows the utilization of a color CCTV camera and a separate audio door station (JF-D) to be used in place of a JF video door station. A motion detector or other activation device can be connected to the Sensor input to trigger the system. The CCTV camera can also be connected to a standard CCTV system for continual viewing and/or recording. The unit is equipped with a relay output to trigger an external device, such as a DVR or video switcher whenever the audio and video to the Aiphone monitor is on.



WIRING DIAGRAM:

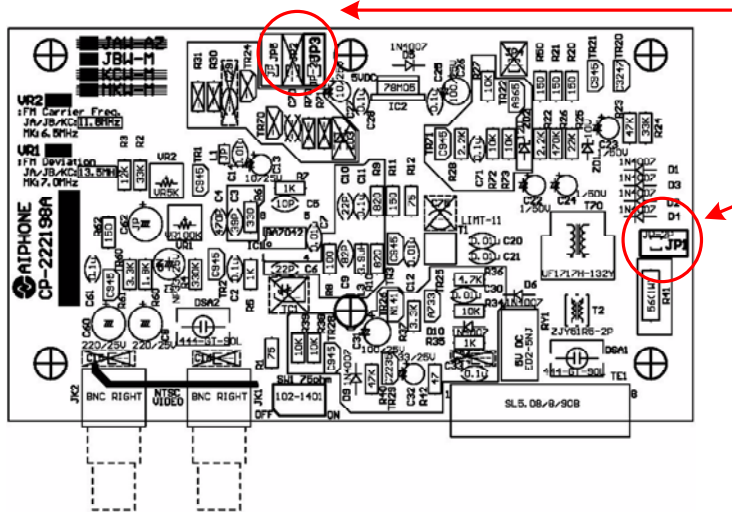
JBW-M Modulator for Standard CCTV camera and Audio-only door station



NOTES:

1. Video Output is optional. If not used, set 75 ohm switch to the ON position.
2. SENSOR input can be used only if there is no JF-D door station connected. When used, the camera will turn on when the sensor device is activated.

INTERNAL ADJUSTMENT WHEN JF-D AUDIO DOOR STATION IS INCLUDED:



INSTRUCTIONS:

1. Open unit by removing 5 small screws and lifting off cover.
2. Locate Jumper labeled JP1 on the right side of the PC board, and JP3 on the top of the board.
3. Remove both jumpers completely, or move them so they're on just one of the posts.
4. Replace the cover and the 5 screws.

OPERATIONS

Activation of the camera from a Monitor:

1. The CCTV camera can be viewed on any of the JF monitors in the system by pressing the MONITOR button. This will turn on the video, but not the audio. To initiate 2-way audio with the outdoor location, press and release the TALK button momentarily.
2. To turn the monitor off, press the MONITOR button again. Otherwise, it will automatically time out after approximately 1 minute.

Activation of a camera by the Audio Door Station:

1. When the call button is pressed on the JF-D door station, the monitor will turn on with the image from the CCTV camera, and the chime will sound. The monitor will stay on approximately 30 seconds unless answered.
2. Press TALK momentarily to answer, then speak hands free. Press TALK again to conclude, or unit will turn off automatically in approximately 1 minute.

Interfacing Video with Other Systems:

1. VIDEO OUT connection simply passes the composite video signal on to a standard CCTV system, such as a monitor, input on a switcher, or DVR. This video signal is live as long as the camera is powered. When using this feature, set the 75 OHM switch to the OFF position.
2. SENSOR input allows a motion detector or other activation device to remotely turn on the camera. Use any device with a Normally Closed contact. If an audio door station (JF-D) is included, the sensor input cannot be used.
3. RELAY connection provides a normally open contact closure that can be connected to an external system. This can be wired into a record input on a DVR or any other external device that needs to be notified when the video and audio is activated to the Aiphone monitor.

SPECIFICATIONS:

Power:	Supplied by JF Monitor
Video Input & Output:	Composite 1V Peak-to-Peak, NTSC
Connector:	BNC
Audio Door input:	Use JF-D surface mount door station only
Relay:	Normally open output, 24VDC, 1Amp
Wire:	18AWG, 2-conductor, non-shielded, solid
Wiring distance:	Max. 330' from JBW-M to Monitor
Dimensions:	1-5/8"H x 7"W x 4"D

Note:

Only information pertaining to the connection and operation of the JBW-M and devices interfacing with it are included here. For complete installation, wiring, and operational information about the JF-2MED system, please refer to the Installation Manual included with the system.

FCC Class B Verification

NOTE: This equipment has been tested and found to comply with the limits for a Class B digital device, pursuant to Part 15 of the FCC Rules. These limits are designed to provide reasonable protection against harmful interference in a residential installation. This equipment generates, uses, and can radiate radio frequency energy and, if not installed and used in accordance with the instructions, may cause harmful interference to radio communications. However, there is no guarantee that interference will not occur in a particular installation. If this equipment does cause harmful interference to radio or television reception, which can be determined by turning the equipment off and on, the user is encouraged to try and correct the interference by one or more of the following measures:

- Reorient or locate the receiving antenna.
- Increase the separation between the equipment and receiver.
- Connect the equipment into an outlet on a circuit different from that to which the receiver is connected.
- Consult the dealer or an experienced radio/TV technician for help.