

Edelbrock®

Off-Road Needle & Seat Assembly for Performer Series Carburetors Catalog # 1465 Installation Instructions

- ☞ **Please study these instructions** carefully before installing your Off-Road needle & seat assembly. If you have any questions or problems, do not hesitate to contact our **Technical Hotline at: (800) 416-8628** from 7:00 am to 5:00 pm, Monday through Friday, Pacific Standard Time or e-mail us at: edelbrock@edelbrock.com.
- ☞ Use Owner's Manual supplied with carburetor for disassembly and reassembly.
- ☞ Remove original needle and seat assembly and replace with #1465 (Figure 1). To reset float level, see Figure 2 for proper offroad setting (7/16").

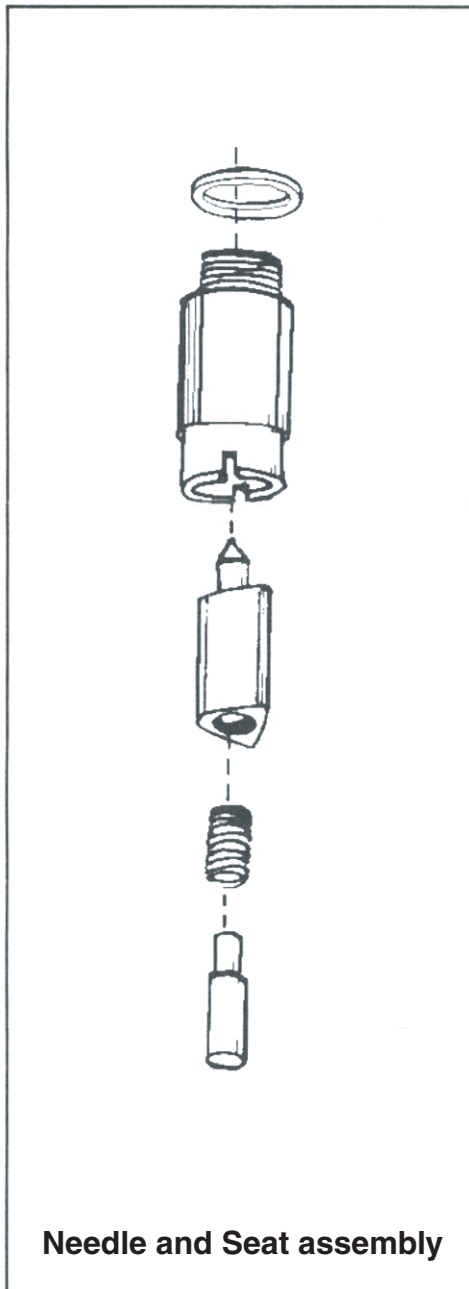


Figure 1

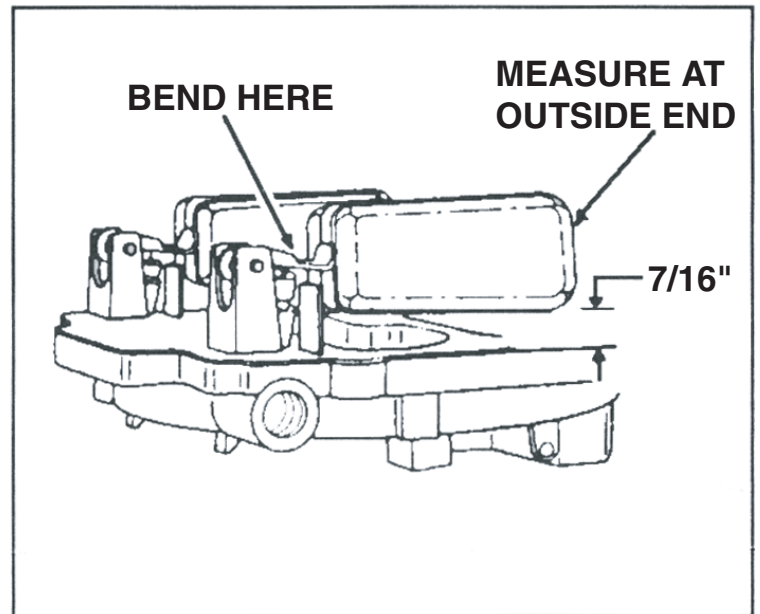


Figure 2

OFF-ROAD FLOAT LEVEL

With bowl cover inverted, bowl cover gasket in place, and weight of float seating needle, there should be 7/16" between top of each float and bowl cover gasket (at outer end). The sides of floats should be parallel to the outer edge of the bowl cover. To adjust, bend float lever.

CAUTION! DO NOT PRESS NEEDLE INTO SEAT WHEN ADJUSTING FLOAT LEVEL.