

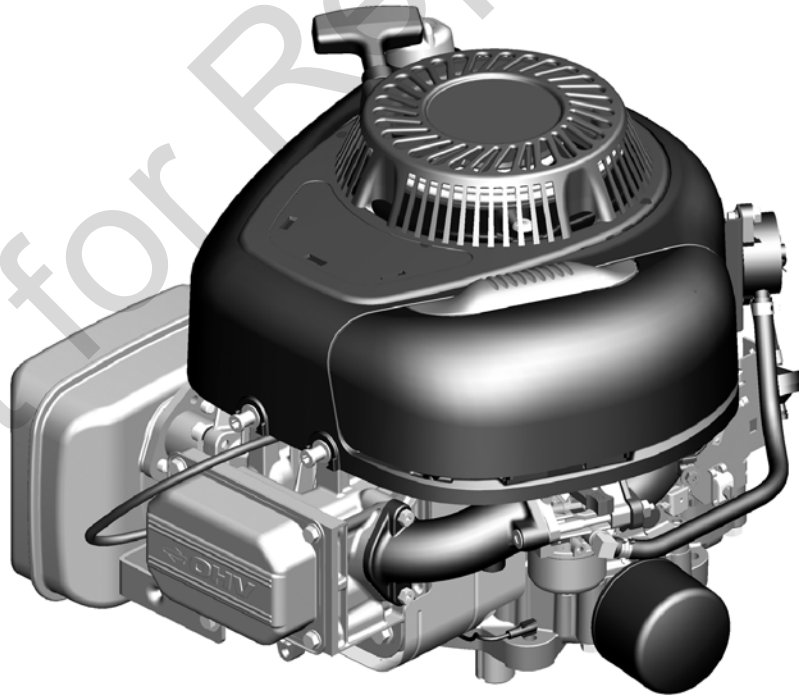


en *Operator's Manual*
es *Manual del Operario*
fr *Manuel de l'opérateur*



Model 210000
Power Built™
Intek™
I/C®

Model 310000
Intek™
I/C®



Briggs & Stratton is a registered trademark of Briggs & Stratton Corporation

© 2009 Briggs & Stratton Corporation, Milwaukee, WI, USA. All rights reserved.

Form No. 276344**TRI C**

English

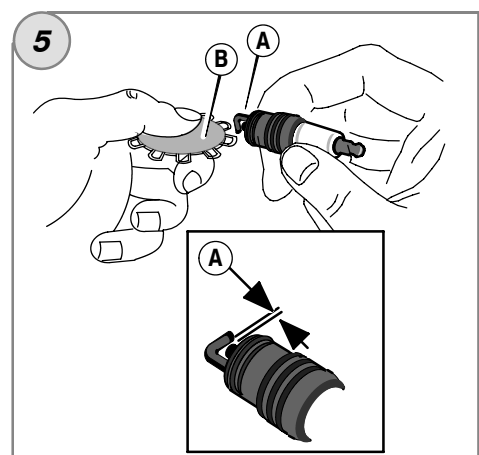
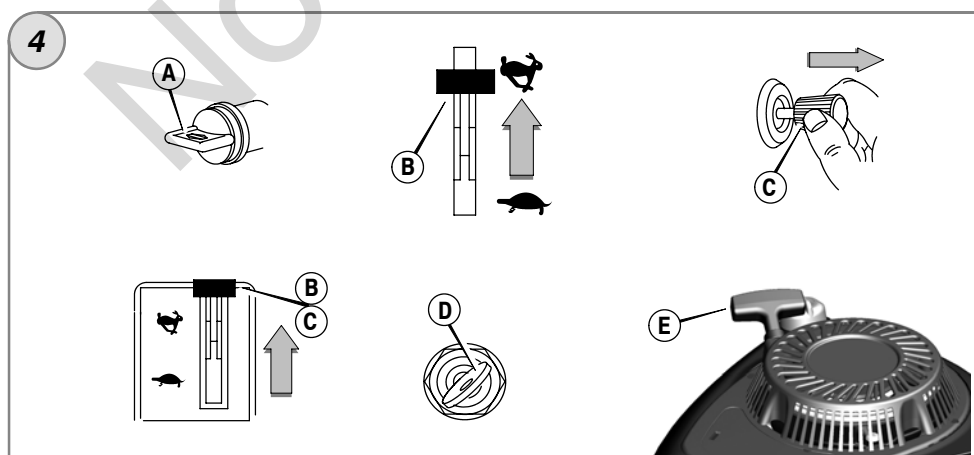
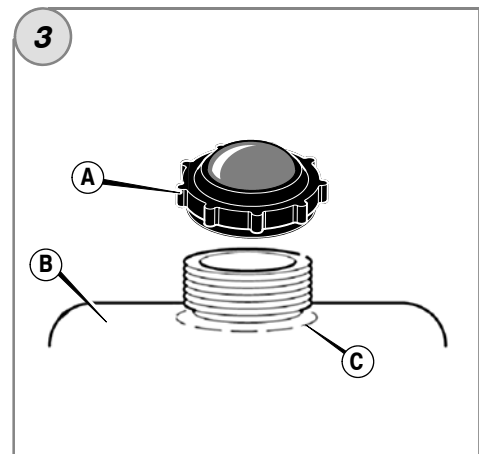
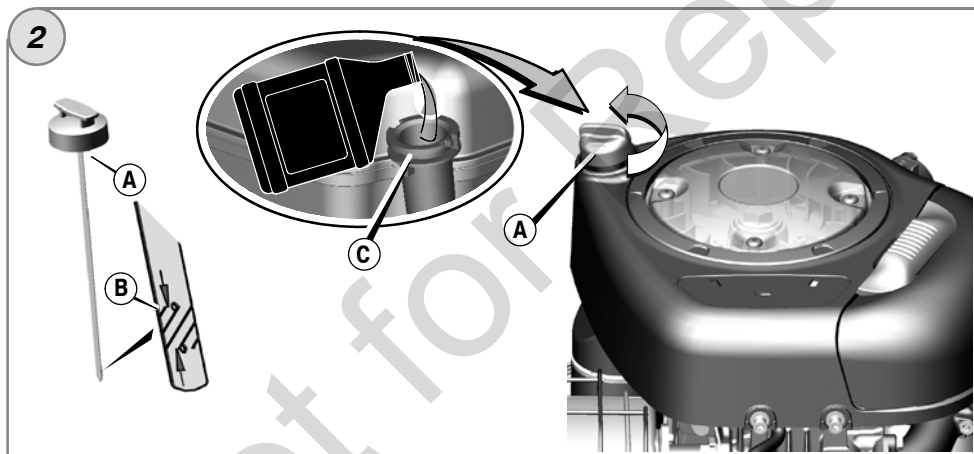
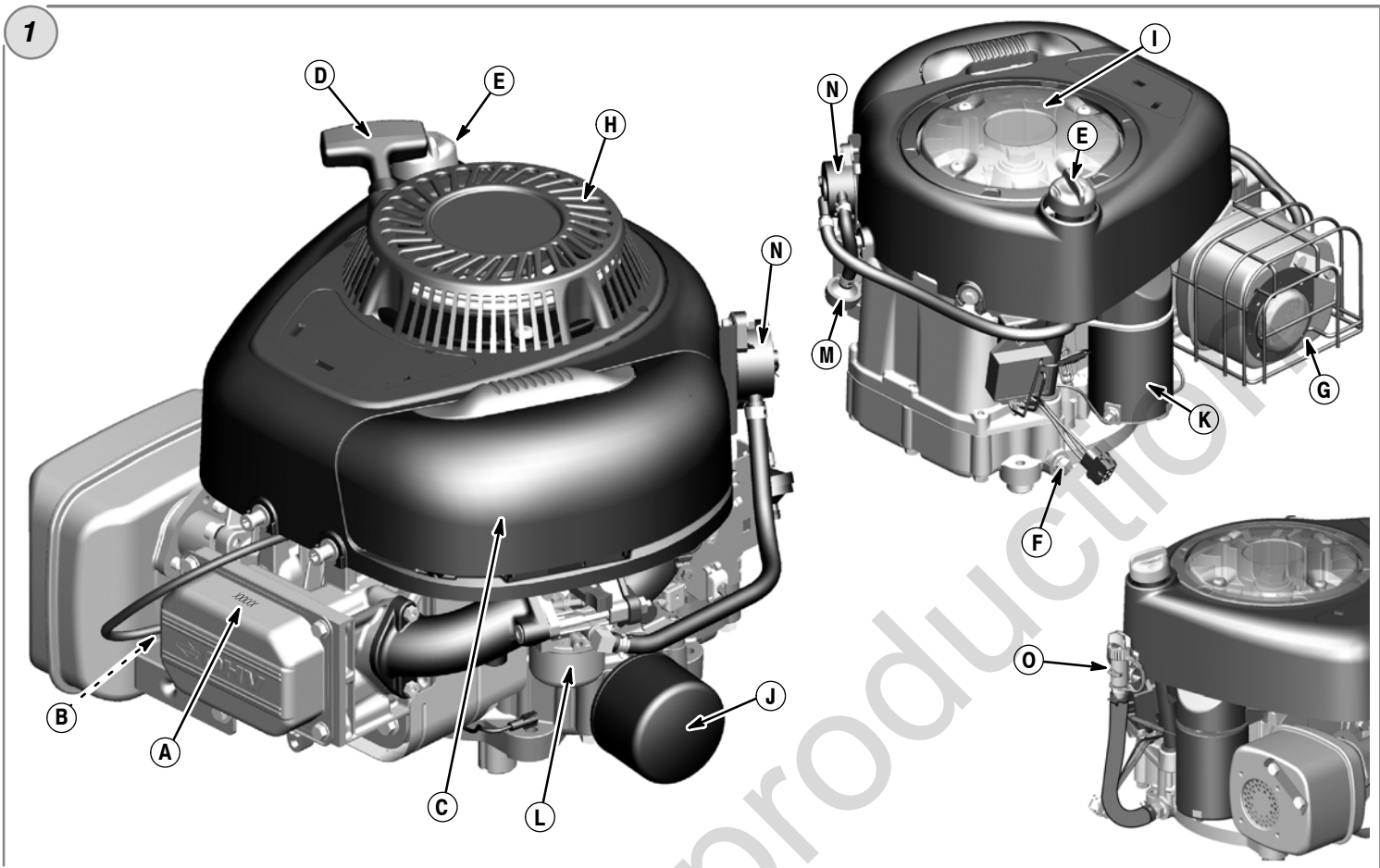
en

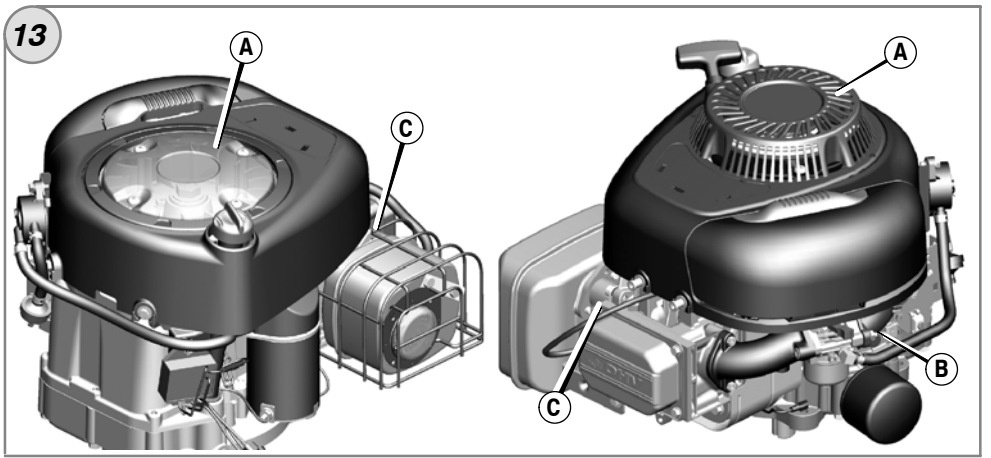
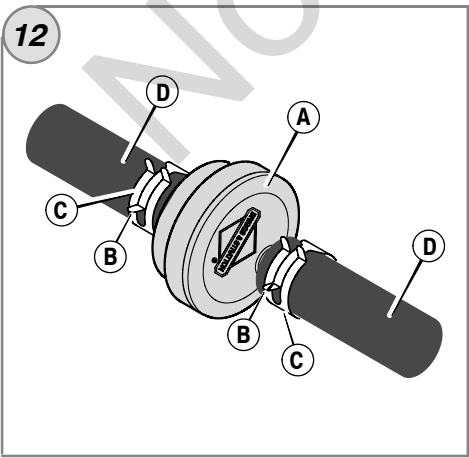
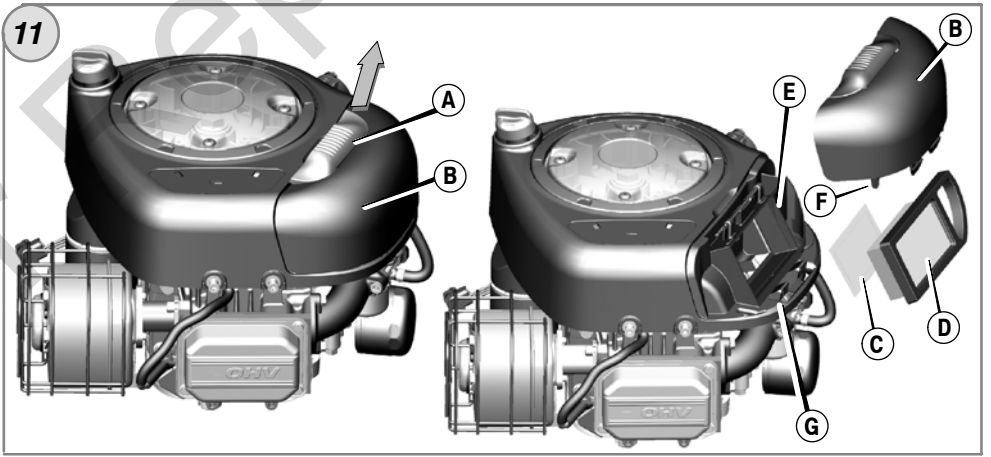
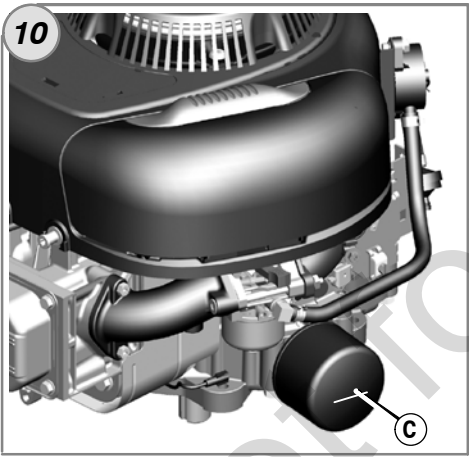
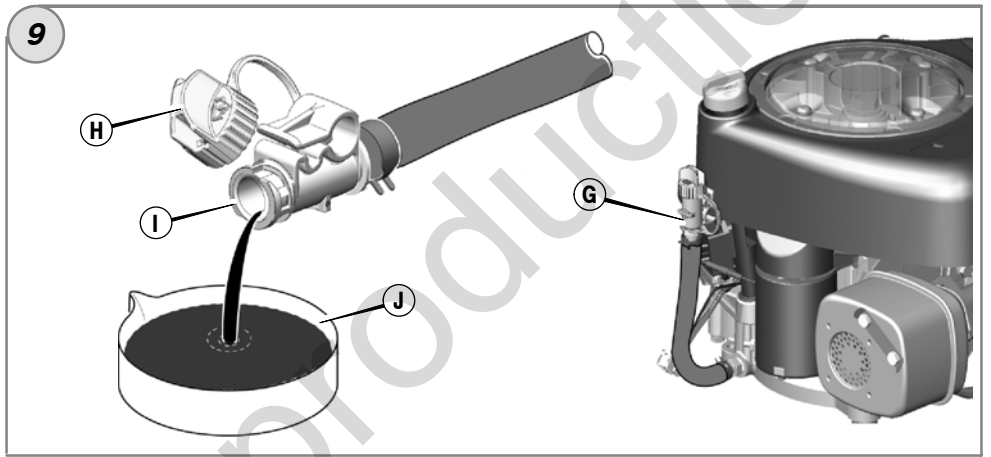
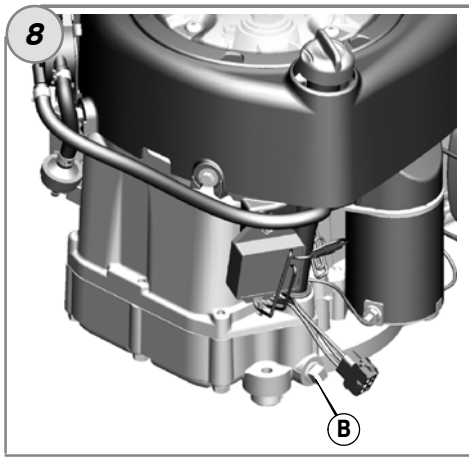
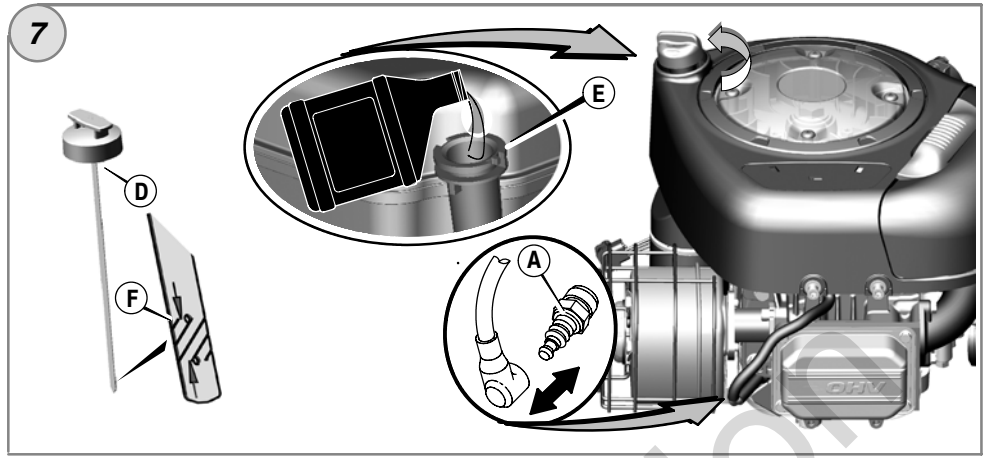
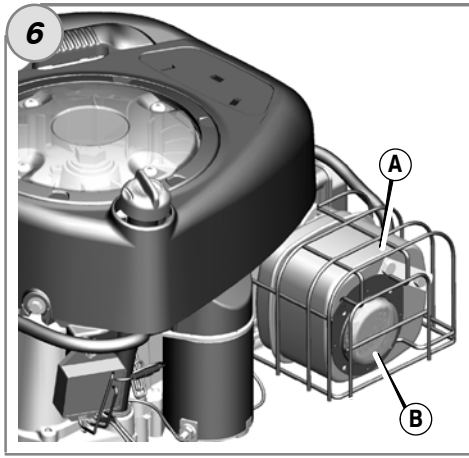
Español

es

Français

fr





General Information

For replacement parts or technical assistance, record below the engine model, type, and code numbers along with the date of purchase. These numbers are located on your engine (see the **Features and Controls** page).

Date of purchase: _____
MM/DD/YYYY

Engine model: _____
Model: Type: Code:


Engine Power Rating Information


The gross power rating for individual gas engine models is labeled in accordance with SAE (Society of Automotive Engineers) code J1940 (Small Engine Power & Torque Rating Procedure), and rating performance has been obtained and corrected in accordance with SAE J1995 (Revision 2002-05). Torque values are derived at 3060 RPM; horsepower values are derived at 3600 RPM. Actual gross engine power will be lower and is affected by, among other things, ambient operating conditions and engine-to-engine variability. Given both the wide array of products on which engines are placed and the variety of environmental issues applicable to operating the equipment, the gas engine will not develop the rated gross power when used in a given piece of power equipment (actual "on-site" or net power). This difference is due to a variety of factors including, but not limited to, accessories (air cleaner, exhaust, charging, cooling, carburetor, fuel pump, etc.), application limitations, ambient operating conditions (temperature, humidity, altitude), and engine-to-engine variability. Due to manufacturing and capacity limitations, Briggs & Stratton may substitute an engine of higher rated power for this Series engine.


Operator Safety


SAFETY AND CONTROL SYMBOLS



The safety alert symbol  is used to identify safety information about hazards that can result in personal injury. A signal word (DANGER, WARNING, or CAUTION) is used with the alert symbol to indicate the likelihood and the potential severity of injury. In addition, a hazard symbol may be used to represent the type of hazard.

 **DANGER** indicates a hazard which, if not avoided, **will result in death or serious injury.**

 **WARNING** indicates a hazard which, if not avoided, **could result in death or serious injury.**

 **CAUTION** indicates a hazard which, if not avoided, **could result in minor or moderate injury.**

NOTICE indicates a situation that **could result in damage to the product.**

WARNING

Certain components in this product and its related accessories contain chemicals known to the State of California to cause cancer, birth defects, or other reproductive harm. Wash hands after handling.

WARNING


The engine exhaust from this product contains chemicals known to the State of California to cause cancer, birth defects, or other reproductive harm.

WARNING

Briggs & Stratton does not approve or authorize the use of these engines on 3-wheel All Terrain Vehicles (ATVs), motor bikes, fun/recreational go-karts, aircraft products, or vehicles intended for use in competitive events. Use of these engines in such applications could result in property damage, serious injury (including paralysis), or even death.

NOTICE: This engine was shipped from Briggs & Stratton without oil. Before you start the engine, make sure you add oil according to the instructions in this manual. If you start the engine without oil, it will be damaged beyond repair and will not be covered under warranty.

WARNING

 **Gasoline and its vapors are extremely flammable and explosive. Fire or explosion can cause severe burns or death.**

When Adding Fuel

- Turn engine off and let engine cool at least 2 minutes before removing the fuel cap.
- Fill fuel tank outdoors or in well-ventilated area.
- Do not overfill fuel tank. To allow for expansion of the gasoline, do not fill above the bottom of the fuel tank neck.
- Keep gasoline away from sparks, open flames, pilot lights, heat, and other ignition sources.
- Check fuel lines, tank, cap, and fittings frequently for cracks or leaks. Replace if necessary
- If fuel spills, wait until it evaporates before starting engine.

When Starting Engine

- Ensure that spark plug, muffler, fuel cap and air cleaner (if equipped) are in place and secured.
- Do not crank engine with spark plug removed.
- If engine floods, set choke (if equipped) to OPEN/RUN position, move throttle (if equipped) to FAST position and crank until engine starts.

When Operating Equipment

- Do not tip engine or equipment at angle which causes gasoline to spill.
- Do not choke the carburetor to stop engine.
- Never start or run the engine with the air cleaner assembly (if equipped) or the air filter (if equipped) removed.

When Changing Oil

- If you drain the oil from the top oil fill tube, the fuel tank must be empty or fuel can leak out and result in a fire or explosion.


When Transporting Equipment

- Transport with fuel tank EMPTY or with fuel shut-off valve OFF.

When Storing Gasoline Or Equipment With Fuel In Tank


- Store away from furnaces, stoves, water heaters or other appliances that have pilot light or other ignition source because they can ignite gasoline vapors.

WARNING

 **Starting engine creates sparking. Sparking can ignite nearby flammable gases. Explosion and fire could result.**

- If there is natural or LP gas leakage in area, do not start engine.
- Do not use pressurized starting fluids because vapors are flammable.

WARNING

 **Engines give off carbon monoxide, an odorless, colorless, poison gas. Breathing carbon monoxide can cause nausea, fainting or death.**

- Start and run engine outdoors.
- Do not start or run engine in enclosed area, even if doors or windows are open.



WARNING



Rapid retraction of starter cord (kickback) will pull hand and arm toward engine faster than you can let go.

Broken bones, fractures, bruises or sprains could result.

- When starting engine, pull the starter cord slowly until resistance is felt and then pull rapidly to avoid kickback.
- Remove all external equipment/engine loads before starting engine.
- Direct-coupled equipment components such as, but not limited to, blades, impellers, pulleys, sprockets, etc., must be securely attached.



WARNING



Rotating parts can contact or entangle hands, feet, hair, clothing, or accessories.

Traumatic amputation or severe laceration can result.

- Operate equipment with guards in place.
- Keep hands and feet away from rotating parts.
- Tie up long hair and remove jewelry.
- Do not wear loose-fitting clothing, dangling drawstrings or items that could become caught.



WARNING



Running engines produce heat. Engine parts, especially muffler, become extremely hot.

Severe thermal burns can occur on contact.



Combustible debris, such as leaves, grass, brush, etc. can catch fire.

- Allow muffler, engine cylinder and fins to cool before touching.
- Remove accumulated debris from muffler area and cylinder area.
- It is a violation of California Public Resource Code, Section 4442, to use or operate the engine on any forest-covered, brush-covered, or grass-covered land unless the exhaust system is equipped with a spark arrester, as defined in Section 4442, maintained in effective working order. Other states or federal jurisdictions may have similar laws. Contact the original equipment manufacturer, retailer, or dealer to obtain a spark arrester designed for the exhaust system installed on this engine.



WARNING



Unintentional sparking can result in fire or electric shock.

Unintentional start-up can result in entanglement, traumatic amputation, or laceration.



Fire hazard



Before performing adjustments or repairs:

- Disconnect the spark plug wire and keep it away from the spark plug.
- Disconnect battery at negative terminal (only engines with electric start.)
- Use only correct tools.
- Do not tamper with governor spring, links or other parts to increase engine speed.
- Replacement parts must be the same and installed in the same position as the original parts.
- Do not strike the flywheel with a hammer or hard object because the flywheel may later shatter during operation.

When testing for spark:

- Use approved spark plug tester.
- Do not check for spark with spark plug removed.

Features and Controls

Compare the illustration **1** with your engine to familiarize yourself with the location of various features and controls.

- A. Engine Identification
Model Type Code
- B. Spark Plug
- C. Air Cleaner
- D. Starter Cord Handle (optional)
- E. Dipstick
- F. Oil Drain Plug
- G. Muffler
Muffler Guard (optional)
Spark Arrester (optional)
- H. Finger Guard
- I. Rotating Screen
- J. Oil Filter (optional)
- K. Electric Starter (optional)
- L. Carburetor
- M. Fuel Filter (optional)
- N. Fuel Pump (optional)
- O. Quick Oil Drain (optional)

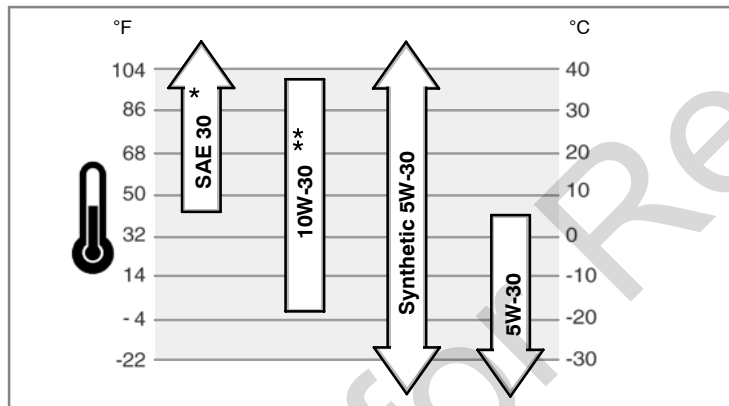
Operation

Oil capacity (see the *Specifications* section)

Oil Recommendations

We recommend the use of Briggs & Stratton Warranty Certified oils for best performance. Other high-quality detergent oils are acceptable if classified for service SF, SG, SH, SJ or higher. Do not use special additives.

Outdoor temperatures determine the proper oil viscosity for the engine. Use the chart to select the best viscosity for the outdoor temperature range expected.



* Below 40°F (4°C) the use of SAE 30 will result in hard starting.

** Above 80°F (27°C) the use of 10W-30 may cause increased oil consumption. Check oil level more frequently.

How To Check/Add Oil - Figure 1 2

Before adding or checking the oil

- Place engine level.
 - Clean the oil fill area of any debris.
1. Remove the dipstick (A) and wipe with a clean cloth (Figure 2).
 2. Insert and tighten the dipstick.
 3. Remove the dipstick and check the oil level. It should be at the top of the full indicator (B) on the dipstick.
 4. If low, add oil slowly into the engine oil fill (C). **Do not overfill.** After adding oil, wait one minute and then recheck the oil level.
Note: Do not add oil at the quick oil drain (O, Figure 1) (if equipped).
 5. Replace and tighten the dipstick.

Oil Pressure

If the oil pressure is too low, a pressure switch (if equipped) will either stop the engine or activate a warning device on the equipment. If this occurs, stop the engine and check the oil level with the dipstick.

If the oil level is below the ADD mark, add oil until it reaches the FULL mark. Start the engine and check for proper pressure before continuing to operate.

If the oil level is between the ADD and FULL marks, **do not start** the engine. Contact an Authorized Briggs & Stratton Dealer to have the oil pressure problem corrected.

Fuel Recommendations

Fuel must meet these requirements:

- Clean, fresh, unleaded gasoline.
- A minimum of 87 octane/87 AKI (91 RON). High altitude use, see below.
- Gasoline with up to 10% ethanol (gasohol) or up to 15% MTBE (methyl tertiary butyl ether) is acceptable.

CAUTION: Do not use unapproved gasolines, such as E85. Do not mix oil in gasoline or modify the engine to run on alternate fuels. This will damage the engine components and **void the engine warranty.**

To protect the fuel system from gum formation, mix a fuel stabilizer into the fuel. See **Storage.** All fuel is not the same. If starting or performance problems occur, change fuel providers or change brands. This engine is certified to operate on gasoline. The emissions control system for this engine is EM (Engine Modifications)

High Altitude

At altitudes over 5,000 feet (1524 meters), a minimum 85 octane/85 AKI (89 RON) gasoline is acceptable. To remain emissions compliant, high altitude adjustment is required. Operation without this adjustment will cause decreased performance, increased fuel consumption, and increased emissions. See a Briggs & Stratton Authorized Dealer for high altitude adjustment information.

Operation of the engine at altitudes below 2,500 feet (762 meters) with the high altitude kit is not recommended.

How To Add Fuel - Figure 3



WARNING

Gasoline and its vapors are extremely flammable and explosive. Fire or explosion can cause severe burns or death.



When Adding Fuel

- Turn engine off and let engine cool at least 2 minutes before removing the fuel cap.
- Fill fuel tank outdoors or in well-ventilated area.
- Do not overfill fuel tank. To allow for expansion of the gasoline, do not fill above the bottom of the fuel tank neck.
- Keep gasoline away from sparks, open flames, pilot lights, heat, and other ignition sources.
- Check fuel lines, tank, cap, and fittings frequently for cracks or leaks. Replace if necessary
- If fuel spills, wait until it evaporates before starting engine.

1. Clean the fuel cap area of dirt and debris. Remove the fuel cap (A) (Figure 3).
2. Fill the fuel tank (B) with gasoline. To allow for expansion of the gasoline, do not fill above the bottom of the fuel tank neck (C).
3. Reinstall the fuel cap.

How To Start The Engine - Figure 4



WARNING

Rapid retraction of starter cord (kickback) will pull hand and arm toward engine faster than you can let go.

Broken bones, fractures, bruises or sprains could result.



- When starting engine, pull the starter cord slowly until resistance is felt and then pull rapidly to avoid kickback.



WARNING

Gasoline and its vapors are extremely flammable and explosive. Fire or explosion can cause severe burns or death.



When Starting Engine

- Ensure that spark plug, muffler, fuel cap and air cleaner (if equipped) are in place and secured.
- Do not crank engine with spark plug removed.
- If engine floods, set choke (if equipped) to OPEN/RUN position, move throttle (if equipped) to FAST position and crank until engine starts.







WARNING

Engines give off carbon monoxide, an odorless, colorless, poison gas. Breathing carbon monoxide can cause nausea, fainting or death.

- Start and run engine outdoors.
- Do not start or run engine in enclosed area, even if doors or windows are open.

NOTICE: This engine was shipped from Briggs & Stratton without oil. Before you start the engine, make sure you add oil according to the instructions in this manual. If you start the engine without oil, it will be damaged beyond repair and will not be covered under warranty.

Note: Some engines and equipment have remote controls. See the equipment manual for location and operation of remote controls.

1. Check the oil level. See the **How To Check/Add Oil** section.
2. Make sure equipment drive controls, if equipped, are disengaged.
3. Turn the fuel shut-off valve (A), if equipped, to the on  position (Figure 4).
4. Move the throttle control (B) to the fast  position. Operate the engine in the fast  position.
5. Move the choke control (C), or the combination choke/throttle lever, to the choke  position.

Note: Choke is usually unnecessary when restarting a warm engine.

6. **Rewind Start:** Turn the key switch (D) to the run position.
7. **Rewind Start:** Firmly hold the starter cord handle (E). Pull the starter cord handle slowly until resistance is felt, then pull rapidly.

Note: If the engine does not start after repeated attempts, go to **BRIGGSandSTRATTON.COM** or call **1-800-233-3723** (in USA).




WARNING: Rapid retraction of the starter cord (kickback) will pull your hand and arm toward the engine faster than you can let go. Broken bones, fractures, bruises or sprains could result. When starting engine, pull the starter cord slowly until resistance is felt and then pull rapidly to avoid kickback.

8. **Electric Start:** Turn the electric start switch (D) to the on/start position.

Note: If the engine does not start after repeated attempts, go to **BRIGGSandSTRATTON.COM** or call **1-800-233-3723** (in USA).

NOTICE: To extend the life of the starter, use short starting cycles (five seconds maximum). Wait one minute between starting cycles.

9. As the engine warms up, move the choke control (C) to the run  position.

How To Stop The Engine - Figure 4





WARNING

Gasoline and its vapors are extremely flammable and explosive. Fire or explosion can cause severe burns or death.



When Starting Engine

- Do not choke the carburetor to stop engine.

1. With the throttle control in the fast  position, turn the key switch (D) to the off position (Figure 4).
2. After the engine stops, turn the fuel shut-off valve (A), if equipped, to the closed  position.

Maintenance

Use only original equipment replacement parts. Other parts may not perform as well, may damage the unit, and may result in injury. In addition, use of other parts may void your warranty.

We recommend that you see any Briggs & Stratton Authorized Dealer for all maintenance and service of the engine and engine parts.

NOTICE: All the components used to build this engine must remain in place for proper operation.

Emissions Control

Maintenance, replacement, or repair of the emissions control devices and systems may be performed by any non-road engine repair establishment or individual.

However, to obtain "no charge" emissions control service, the work must be performed by a factory authorized dealer. See the Emissions Warranty.



WARNING

Unintentional sparking can result in fire or electric shock. Unintentional start-up can result in entanglement, traumatic amputation, or laceration.



Fire hazard

Before performing adjustments or repairs:

- Disconnect the spark plug wire and keep it away from the spark plug.
- Disconnect battery at negative terminal (only engines with electric start.)
- Use only correct tools.
- Do not tamper with governor spring, links or other parts to increase engine speed.
- Replacement parts must be the same and installed in the same position as the original parts.
- Do not strike the flywheel with a hammer or hard object because the flywheel may later shatter during operation.

When testing for spark:

- Use approved spark plug tester.
- Do not check for spark with spark plug removed.

Maintenance Chart

First 5 Hours
<ul style="list-style-type: none"> • Change oil
Every 8 Hours or Daily
<ul style="list-style-type: none"> • Check engine oil level • Clean area around muffler and controls • Clean finger guard (if equipped)
Every 25 Hours or Annually
<ul style="list-style-type: none"> • Clean air filter * • Clean pre-cleaner *
Every 50 Hours or Annually
<ul style="list-style-type: none"> • Change engine oil • Replace oil filter (if equipped) • Check muffler and spark arrester
Annually
<ul style="list-style-type: none"> • Replace air filter • Replace pre-cleaner • Replace spark plug • Clean air cooling system * • Replace fuel filter • Check valve clearance **

* In dusty conditions or when airborne debris is present, clean more often.

** Not required unless engine performance problems are noted.

Carburetor Adjustment

Never make adjustments to the carburetor. The carburetor was set at the factory to operate efficiently under most conditions. However, if adjustments are required, see a Briggs & Stratton Authorized Dealer for service.

NOTICE: The manufacturer of the equipment on which this engine is installed specifies the top speed at which the engine will be operated. **Do not exceed** this speed.

How To Replace The Spark Plug - Figure 5

Check the gap (A, Figure 5) with a wire gauge (B). If necessary, reset the gap. Install and tighten the spark plug to the recommended torque. For gap setting or torque, see the **Specifications** section.

Note: In some areas, local law requires using a resistor spark plug to suppress ignition signals. If this engine was originally equipped with a resistor spark plug, use the same type for replacement.

Inspect Muffler And Spark Arrester - Figure 6



WARNING



Running engines produce heat. Engine parts, especially muffler, become extremely hot.



Severe thermal burns can occur on contact.



Combustible debris, such as leaves, grass, brush, etc. can catch fire.

- Allow muffler, engine cylinder and fins to cool before touching.
- Remove accumulated debris from muffler area and cylinder area.
- It is a violation of California Public Resource Code, Section 4442, to use or operate the engine on any forest-covered, brush-covered, or grass-covered land unless the exhaust system is equipped with a spark arrester, as defined in Section 4442, maintained in effective working order. Other states or federal jurisdictions may have similar laws. Contact the original equipment manufacturer, retailer, or dealer to obtain a spark arrester designed for the exhaust system installed on this engine.

Inspect the muffler (A, Figure 6) for cracks, corrosion, or other damage. Remove the spark arrester (B), if equipped, and inspect for damage or carbon blockage. If replacement parts are required, make sure to use only original equipment replacement parts.



WARNING: Replacement parts must be the same and installed in the same position as the original parts or fire could result.

How To Change The Oil - Figure 7 8 9 10

Used oil is a hazardous waste product and must be disposed of properly. Do not discard with household waste. Check with your local authorities, service center, or dealer for safe disposal/recycling facilities.

Remove Oil

1. With engine off but still warm, disconnect the spark plug wire (A) and keep it away from the spark plug (Figure 7).
2. Remove the dipstick (D).

Standard Oil Drain Plug

1. Remove the oil drain plug (B, Figure 8). Drain the oil into an approved container.
Note: Any of the oil drain plugs shown below may be installed in the engine.



2. After the oil has drained, install and tighten the oil drain plug.

Optional Quick Oil Drain

1. Disconnect the oil drain hose (G, Figure 9) from the side of the engine.
2. Turn and remove the oil drain cap (H). Carefully lower the quick oil drain (I) into an approved container (J).
3. After the oil has drained, install the oil drain cap. Attach the oil drain hose to the side of the engine.

Change The Oil Filter (if equipped)

Some models are equipped with oil filter. For replacement intervals, see the **Maintenance** chart.

1. Drain the oil from the engine. See **Remove Oil** section.
2. Remove the oil filter (C) and dispose of properly. See Figure 10.
3. Before you install the new oil filter, lightly lubricate the oil filter gasket with fresh, clean oil.
4. Install the oil filter by hand until the gasket contacts the oil filter adapter, then tighten the oil filter 1/2 to 3/4 turns.
5. Add oil. See **Add Oil** section.
6. Start and run the engine. As the engine warms up, check for oil leaks.
7. Stop the engine and check the oil level. It should be at the top of the full indicator (F) on the dipstick (Figure 7).

Add Oil

- Place engine level.
 - Clean the oil fill area of any debris.
 - See the **Specifications** section for oil capacity.
1. Remove the dipstick (D) and wipe with a clean cloth (Figure 7).
 2. Pour the oil slowly into the engine oil fill (E). **Do not overfill.** After adding oil, wait one minute and then check the oil level.
Note: Do not add oil at the quick oil drain (I) (if equipped).
 3. Install and tighten the dipstick.
 4. Remove the dipstick and check the oil level. It should be at the top of the full indicator (F) on the dipstick.

5. Install and tighten the dipstick.

How To Service The Air Filter - Figure 11



WARNING



Gasoline and its vapors are extremely flammable and explosive. Fire or explosion can cause severe burns or death.



- Never start or run the engine with the air cleaner assembly or the air filter removed.

NOTICE: Do not use pressurized air or solvents to clean the filter. Pressurized air can damage the filter and solvents will dissolve the filter. The air filter system uses either a flat or oval cartridge. Some models are also equipped with a pre-cleaner that can be washed and reused.

Flat Air Filter

1. Pull up on the cover handle (A, Figure 11). Rotate the cover handle toward the engine and then remove the cover (B).
2. Remove the pre-cleaner (C), if equipped, and the filter (D).
3. To loosen debris, gently tap the filter on a hard surface. If the filter is excessively dirty, replace with a new filter.
4. Wash the pre-cleaner in liquid detergent and water. Then allow it to thoroughly air dry. **Do not** oil the pre-cleaner.
5. Assemble the dry pre-cleaner and the filter into the engine base (E).
6. Align the tabs (F) on the cover with the slots (G) in the blower housing. Rotate the cover handle back and push down to lock in place.

How To Replace The Fuel Filter - Figure 12



WARNING



Gasoline and its vapors are extremely flammable and explosive. Fire or explosion can cause severe burns or death.



- Keep gasoline away from sparks, open flames, pilot lights, heat, and other ignition sources.
- Check fuel lines, tank, cap, and fittings frequently for cracks or leaks. Replace if necessary.
- Before replacing the fuel filter, drain the fuel tank or close the fuel shut-off valve.
- Replacement parts must be the same and installed in the same position as the original parts.
- If fuel spills, wait until it evaporates before starting engine.

1. Before replacing the fuel filter (A, Figure 12), if equipped, drain the fuel tank or close the fuel shut-off valve. Otherwise, fuel can leak out and cause a fire or explosion.
2. Use pliers to squeeze tabs (B) on the clamps (C), then slide the clamps away from the fuel filter. Twist and pull the fuel lines (D) off of the fuel filter.
3. Check the fuel lines for cracks or leaks. Replace if necessary.
4. Replace the fuel filter with an original equipment replacement filter.
5. Secure the fuel lines with the clamps as shown.

How To Clean The Air Cooling System - Figure 13



WARNING



Running engines produce heat. Engine parts, especially muffler, become extremely hot.



Severe thermal burns can occur on contact.



Combustible debris, such as leaves, grass, brush, etc. can catch fire.

- Allow muffler, engine cylinder and fins to cool before touching.
- Remove accumulated debris from muffler area and cylinder area.

NOTICE: Do not use water to clean the engine. Water could contaminate the fuel system. Use a brush or dry cloth to clean the engine. This is an air cooled engine. Dirt or debris can restrict air flow and cause the engine to overheat, resulting in poor performance and reduced engine life. Use a brush or dry cloth to remove debris from the finger guard/rotating screen (A). Keep linkage, springs and controls (B) clean. Keep the area around and behind the muffler (C) free of any combustible debris (Figure 13).

Storage



WARNING

Gasoline and its vapors are extremely flammable and explosive. Fire or explosion can cause severe burns or death.

When Storing Gasoline Or Equipment With Fuel In Tank

- Store away from furnaces, stoves, water heaters or other appliances that have pilot lights or other ignition sources because they can ignite gasoline vapors.

Fuel System

Fuel can become stale when stored over 30 days. Stale fuel causes acid and gum

deposits to form in the fuel system or on essential carburetor parts. To keep fuel fresh, use Briggs & Stratton FRESH START® fuel stabilizer, available as a liquid additive or a drip concentrate cartridge.

There is no need to drain gasoline from the engine if a fuel stabilizer is added according to instructions. Run the engine for 2 minutes to circulate the stabilizer throughout the fuel system. The engine and fuel can then be stored up to 24 months.

If gasoline in the engine has not been treated with a fuel stabilizer, it must be drained into an approved container. Run the engine until it stops from lack of fuel. The use of a fuel stabilizer in the storage container is recommended to maintain freshness.

Engine Oil

While the engine is still warm, change the engine oil. See the *How To Change The Oil* section.

Troubleshooting

Need Assistance? Go to BRIGGSandSTRATTON.COM or call 1-800-233-3723.

Specifications

Engine Specifications

Model	210000
Displacement	21.01 ci (344 cc)
Bore	3.437 in (87.30 mm)
Stroke	2.264 in (57.51 mm)
Oil Capacity -without filter	42 - 44 oz (1.24 - 1.30 L)
Oil Capacity -with filter	46 - 48 oz (1.36 - 1.40 L)

Engine Specifications

Model	310000
Displacement	30.59 ci (501 cc)
Bore	3.563 in (90.49 mm)
Stroke	3.062 in (77.77 mm)
Oil Capacity -without filter	42 - 44 oz (1.24 - 1.30 L)
Oil Capacity -with filter	46 - 48 oz (1.36 - 1.40 L)

Tune-up Specifications *

Model	210000, 310000
Spark Plug Gap	0.030 in (0.76 mm)
Spark Plug Torque	180 lb-in (20 Nm)
Armature Air Gap	0.010 - 0.014 in (0.25 - 0.36 mm)
Intake Valve Clearance	0.003 - 0.005 in (0.08 - 0.13 mm)
Exhaust Valve Clearance	0.005 - 0.007 in (0.13 - 0.18 mm)

* Engine power will decrease 3.5% for each 1,000 feet (300 meters) above sea level and 1% for each 10° F (5.6° C) above 77° F (25° C). The engine will operate satisfactorily at an angle up to 15°. Refer to the equipment operator's manual for safe allowable operating limits on slopes.

Common Service Parts ✓

Service Part	Part Number
Model: 210000	

Air Filter, Flat	698413, 5079
Air Filter Pre-cleaner, Flat	697292, 5079
Oil - SAE 30 (20 oz, 0.6 L)	100005
Oil - SAE 30 (48 oz, 1.4 L)	100028
Oil Filter	492932, 5049
Fuel Additive	5041, 5058
Fuel Filter - engine without fuel pump	394358, 5098
Fuel Filter - engines with fuel pump	691035, 5065
Resistor Spark Plug	491055
Long Life Platinum Spark Plug	5066
Spark Plug Wrench	89838, 5023
Spark Tester	19368

Model: 310000	
----------------------	--

Air Filter, Flat	698083, 5077
Air Filter Pre-cleaner, Flat	697015, 5077
Air Filter, Flat Washable	697153, 5078
Oil - SAE 30 (20 oz, 0.6 L)	100005
Oil - SAE 30 (48 oz, 1.4 L)	100028
Oil Filter	492932, 5049
Fuel Additive	5041, 5058
Fuel Filter - engine without fuel pump	394358, 5098
Fuel Filter - engines with fuel pump	691035, 5065
Resistor Spark Plug	491055
Long Life Platinum Spark Plug	5066
Spark Plug Wrench	89838, 5023
Spark Tester	19368

✓ We recommend that you see any Briggs & Stratton Authorized Dealer for all maintenance and service of the engine and engine parts. Use only genuine Briggs & Stratton parts.

LIMITED WARRANTY

Briggs & Stratton Corporation will repair or replace, free of charge, any part(s) of the engine that is defective in material or workmanship or both. Transportation charges on product submitted for repair or replacement under this warranty must be borne by purchaser. This warranty is effective for and is subject to the time periods and conditions stated below. For warranty service, find the nearest Authorized Service Dealer in our dealer locator map at BRIGGSandSTRATTON.COM, or by calling 1-800-233-3723, or as listed in the 'Yellow Pages'.

There is no other expressed warranty. Implied warranties, including those of merchantability and fitness for a particular purpose, are limited to one year from purchase, or to the extent permitted by law and all implied warranties are excluded. Liability for incidental or consequential damages are excluded to the extent exclusion is permitted by law. Some states or countries do not allow limitations on how long an implied warranty lasts, and some states or countries do not allow the exclusion or limitation of incidental or consequential damages, so the above limitation and exclusion may not apply to you. This warranty gives you specific legal rights and you may also have other rights which vary from state to state and country to country.

STANDARD WARRANTY TERMS * ▲

Brand/Product Type	Consumer Use	Commercial Use
Vanguard™	2 years	2 years
Extended Life Series™; I/C®; Intek™ I/C®; Intek™ Pro; Professional Series™ with Dura-Bore™ Cast Iron Sleeve; 850 Series™ with Dura-Bore™ Cast Iron Sleeve; Snow Series MAX™ with Dura-Bore™ Cast Iron Sleeve	2 years	1 year
All Other Briggs & Stratton Engines	2 years	90 days

* These are our standard warranty terms, but occasionally there may be additional warranty coverage that was not determined at time of publication. For a listing of current warranty terms for your engine, go to BRIGGSandSTRATTON.COM or contact your Authorized Briggs & Stratton Service Dealer.

▲ Engines used on Home Standby Generator applications are warranted under consumer use only. This warranty does not apply to engines on equipment used for prime power in place of a utility. **Engines used in competitive racing or on commercial or rental tracks are not warranted.**

The warranty period begins on the date of purchase by the first retail consumer or commercial end user, and continues for the period of time stated in the table above. "Consumer use" means personal residential household use by a retail consumer. "Commercial use" means all other uses, including use for commercial, income producing or rental purposes. Once an engine has experienced commercial use, it shall thereafter be considered as a commercial use engine for purposes of this warranty.

No warranty registration is necessary to obtain warranty on Briggs & Stratton Products. Save your proof of purchase receipt. If you do not provide proof of the initial purchase date at the time warranty service is requested, the manufacturing date of the product will be used to determine the warranty period.

About Your Warranty

Briggs & Stratton welcomes warranty repair and apologizes to you for being inconvenienced. Any Authorized Service Dealer may perform warranty repairs. Most warranty repairs are handled routinely, but sometimes requests for warranty service may not be appropriate.

If a customer differs with the decision of the Service Dealer, an investigation will be made to determine whether the warranty applies. Ask the Service Dealer to submit all supporting facts to his Distributor or the Factory for review. If the Distributor or the Factory decides that the claim is justified, the customer will be fully reimbursed for those items that are defective. To avoid misunderstanding which might occur between the customer and the Dealer, listed below are some of the causes of engine failure that the warranty does not cover.

Normal wear: Engines, like all mechanical devices, need periodic parts service and replacement to perform well. Warranty will not cover repair when normal use has exhausted the life of a part or an engine. Warranty would not apply if engine damage occurred because of misuse, lack of routine maintenance, shipping, handling, warehousing or improper installation. Similarly, warranty is void if the serial number of the engine has been removed or the engine has been altered or modified.

Improper maintenance: The life of an engine depends upon the conditions under which it operates, and the care it receives. Some applications, such as tillers, pumps and rotary mowers, are very often used in dusty or dirty conditions, which can cause what appears to be premature wear. Such wear, when caused by dirt, dust, spark plug cleaning grit, or other abrasive material that has entered the engine because of improper maintenance, is not covered by warranty.

This warranty covers engine related defective material and/or workmanship only, and not replacement or refund of the equipment to which the engine may be mounted. Nor does the warranty extend to repairs required because of:

- 1 Problems caused by parts that are not original Briggs & Stratton parts.
- 2 Equipment controls or installations that prevent starting, cause unsatisfactory engine performance, or shorten engine life. (Contact equipment manufacturer.)
- 3 Leaking carburetors, clogged fuel pipes, sticking valves, or other damage, caused by using contaminated or stale fuel.

- 4 Parts which are scored or broken because an engine was operated with insufficient or contaminated lubricating oil, or an incorrect grade of lubricating oil (check and refill when necessary, and change at recommended intervals). OIL GARD may not shut down running engine. Engine damage may occur if oil level is not properly maintained.
- 5 Repair or adjustment of associated parts or assemblies such as clutches, transmissions, remote controls, etc., which are not manufactured by Briggs & Stratton.
- 6 Damage or wear to parts caused by dirt, which entered the engine because of improper air cleaner maintenance, re-assembly, or use of a non-original air cleaner element or cartridge. At recommended intervals, clean and/or replace the filter as stated in the Operator's Manual.
- 7 Parts damaged by over-speeding, or overheating caused by grass, debris, or dirt, which plugs or clogs the cooling fins, or flywheel area, or damage caused by operating the engine in a confined area without sufficient ventilation. Clean engine debris at recommended intervals as stated in the Operator's Manual.
- 8 Engine or equipment parts broken by excessive vibration caused by a loose engine mounting, loose cutter blades, unbalanced blades or loose or unbalanced impellers, improper attachment of equipment to engine crankshaft, over-speeding or other abuse in operation.
- 9 A bent or broken crankshaft, caused by striking a solid object with the cutter blade of a rotary lawn mower, or excessive v-belt tightness.
- 10 Routine tune-up or adjustment of the engine.
- 11 Engine or engine component failure, i.e., combustion chamber, valves, valve seats, valve guides, or burned starter motor windings, caused by the use of alternate fuels such as, liquified petroleum, natural gas, altered gasolines, etc.

Warranty service is available only through authorized service dealers by Briggs & Stratton Corporation. Locate your nearest Authorized Service Dealer in our dealer locator map on BRIGGSandSTRATTON.COM or by calling 1-800-233-3723, or as listed in the 'Yellow Pages'.

California, U.S. EPA, and Briggs & Stratton Corporation Emissions Control Warranty Statement Your Warranty Rights And Obligations

The California Air Resources Board, U.S. EPA, and Briggs & Stratton (B&S) are pleased to explain the emissions control system warranty on your Model Year 2008 and later engine/equipment. In California, new small off-road engines must be designed, built, and equipped to meet the State's stringent anti-smog standards. B&S must warrant the emissions control system on your engine/equipment for the periods of time listed below provided there has been no abuse, neglect, or improper maintenance of your small off-road engine.

Your emissions control system may include parts such as the carburetor or fuel injection system, fuel tank, ignition system, and catalytic converter. Also included may be hoses, belts, connectors, sensors, and other emissions-related assemblies.

Where a warrantable condition exists, B&S will repair your engine/equipment at no cost to you including diagnosis, parts, and labor.

Manufacturer's Warranty Coverage:

Small off-road engines are warranted for two years. If any emissions-related part on your engine/equipment is defective, the part will be repaired or replaced by B&S.

Owner's Warranty Responsibilities:

- As the small engine/equipment owner, you are responsible for the performance of the required maintenance listed in your owner's manual. B&S recommends that you retain all receipts covering maintenance on your engine/equipment, but B&S cannot deny warranty solely for the lack of receipts or your failure to ensure the performance of all scheduled maintenance.
- As the engine/equipment owner, you should however be aware that B&S may deny you warranty coverage if your engine/equipment or a part has failed due to abuse, neglect, improper maintenance, or unapproved modifications.
- You are responsible for presenting your engine/equipment to a B&S distribution center, servicing dealer, or other equivalent entity, as applicable, as soon as a problem exists. The warranty repairs should be completed in a reasonable amount of time, not to exceed 30 days. If you have any questions regarding your warranty rights and responsibilities, you should contact B&S at (414) 259-5262.

Briggs & Stratton Emissions Control Warranty Provisions

The following are specific provisions relative to your Emissions Control Warranty Coverage. It is in addition to the B&S engine warranty for non-regulated engines found in the Operator's Manual.

1. Warranted Emissions Parts

Coverage under this warranty extends only to the parts listed below (the emissions control systems parts) to the extent these parts were present on the engine purchased.

- a. Fuel Metering System
 - Cold start enrichment system (soft choke)
 - Carburetor and internal parts
 - Fuel pump
 - Fuel line, fuel line fittings, clamps
 - Fuel tank, cap and tether
 - Carbon canister
- b. Air Induction System
 - Air cleaner
 - Intake manifold
 - Purge and vent line
- c. Ignition System
 - Spark plug(s)
 - Magneto ignition system
- d. Catalyst System
 - Catalytic converter
 - Exhaust manifold
 - Air injection system or pulse valve
- e. Miscellaneous Items Used in Above Systems
 - Vacuum, temperature, position, time sensitive valves and switches
 - Connectors and assemblies

2. Length of Coverage

For a period of two years from date of original purchase, B&S warrants to the original purchaser and each subsequent purchaser that the engine is designed, built, and equipped so as to conform with all applicable regulations adopted by the Air Resources Board; that it is free from defects in material and workmanship that could cause the failure of a warranted part; and that it is identical in all material respects to the engine described in the manufacturer's application for certification. The warranty period begins on the date the engine is originally purchased.

The warranty on emissions-related parts is as follows:

- Any warranted part that is not scheduled for replacement as required maintenance in the owner's manual supplied, is warranted for the warranty period stated above. If any such part fails during the period of warranty coverage, the part will be repaired or replaced by B&S at no charge to the owner. Any such part repaired or replaced under the warranty will be warranted for the remaining warranty period.
 - Any warranted part that is scheduled only for regular inspection in the owner's manual supplied, is warranted for the warranty period stated above. Any such part repaired or replaced under warranty will be warranted for the remaining warranty period.
 - Any warranted part that is scheduled for replacement as required maintenance in the owner's manual supplied, is warranted for the period of time prior to the first scheduled replacement point for that part. If the part fails prior to the first scheduled replacement, the part will be repaired or replaced by B&S at no charge to the owner. Any such part repaired or replaced under warranty will be warranted for the remainder of the period prior to the first scheduled replacement point for the part.
 - Add on or modified parts that are not exempted by the Air Resources Board may not be used. The use of any non exempted add on or modified parts by the owner will be grounds for disallowing a warranty claim. The manufacturer will not be liable to warrant failures of warranted parts caused by the use of a non exempted add on or modified part.
3. Consequential Coverage
Coverage shall extend to the failure of any engine components caused by the failure of any warranted emissions parts.
 4. Claims and Coverage Exclusions
Warranty claims shall be filed according to the provisions of the B&S engine warranty policy. Warranty coverage does not apply to failures of emissions parts that are not original equipment B&S parts or to parts that fail due to abuse, neglect, or improper maintenance as set forth in the B&S engine warranty policy. B&S is not liable for warranty coverage of failures of emissions parts caused by the use of add-on or modified parts.

Look For Relevant Emissions Durability Period and Air Index Information On Your Engine Emissions Label

Engines that are certified to meet the California Air Resources Board (CARB) Emissions Standard must display information regarding the Emissions Durability Period and the Air Index. Briggs & Stratton makes this information available to the consumer on our emissions labels. The engine emissions label will indicate certification information.

The **Emissions Durability Period** describes the number of hours of actual running time for which the engine is certified to be emissions compliant, assuming proper maintenance in accordance with the Operating & Maintenance Instructions. The following categories are used:

Moderate:

Engine is certified to be emissions compliant for 125 hours of actual engine running time.

Intermediate:

Engine is certified to be emissions compliant for 250 hours of actual engine running time.

Extended:

Engine is certified to be emissions compliant for 500 hours of actual engine running time. For example, a typical walk-behind lawn mower is used 20 to 25 hours per year.

Therefore, the **Emissions Durability Period** of an engine with an **intermediate** rating would equate to 10 to 12 years.

Briggs & Stratton engines are certified to meet the United States Environmental Protection Agency (USEPA) Phase 2 emissions standards. For Phase 2 certified engines, the Emissions Compliance Period referred to on the Emissions Compliance label indicates the number of operating hours for which the engine has been shown to meet Federal emissions requirements.

For engines less than 225 cc displacement.

Category C = 125 hours , Category B = 250 hours , Category A = 500 hours

For engines of 225 cc or more displacement.

Category C = 250 hours , Category B = 500 hours , Category A = 1000 hours

Información General

Para conseguir repuestos o asistencia técnica registre los números de modelo, tipo y código de su motor junto con la fecha de compra. Estos números los encuentra localizados en su motor (consulte la página de **Características y Controles**).

Fecha de compra: _____
MES/DIA/AÑO

Modelo del motor: _____
Modelo: Tipo: Código:


Información de Clasificación de Potencia del Motor


La clasificación de potencia para un modelo de motor a gas en particular se designa de acuerdo al código J1940 de SAE (Sociedad de Ingenieros Automotrices) (Procedimiento de Clasificación de Potencia & Torque del Motor Pequeño), y la clasificación de desempeño ha sido obtenida y corregida de acuerdo con el código J1995 de SAE (Revisión 2002-05). Los valores de torque se obtienen a 3060 RPM; los valores de potencia se obtienen a 3600 RPM. La potencia bruta actual del motor será inferior y está afectada, entre otras cosas, por las condiciones ambientales operativas y la variabilidad de motor a motor. Dado ambos un amplio conjunto de productos en los cuales son puestos nuestros motores, y la variedad de emisiones ambientales aplicables al operar el equipo, el motor a gas no desarrollará la potencia nominal cuando sea usado en una parte del equipo acoplado (potencia real "en el-sitio"). Esta diferencia se debe a una variedad de factores que incluyen, pero sin limitarse a, accesorios (filtro de aire, sistema de escape, sistema de carga, sistema de enfriamiento, carburador, bomba de combustible, etc.) limitaciones de la aplicación, condiciones ambientales de operación (temperatura, humedad, altitud), y la variabilidad de motor a motor. Debido a las limitaciones, Briggs & Stratton puede sustituir un motor con clasificación de potencia más alta por esta serie de motor.


Seguridad del Operario


SÍMBOLOS DE SEGURIDAD Y CONTROL



El símbolo de aviso de seguridad  se utiliza para identificar la información de seguridad relacionada con los peligros que pueden ocasionar lesiones personales. Se señala con una palabra (PELIGRO, ADVERTENCIA o PRECAUCIÓN) con el símbolo de aviso para indicar la probabilidad de una lesión y su gravedad potencial. Además, un símbolo de peligro puede ser utilizado para representar el tipo de peligro.

 **PELIGRO** indica un peligro que si no es evitado, **ocasionará la muerte o heridas graves.**

 **ADVERTENCIA** indica un peligro que si no es evitado, **podría ocasionar la muerte o heridas graves.**

 **PRECAUCIÓN** indica un peligro que, si no es evitado, **podría ocasionar lesiones menores o moderadas.**

NOTIFICACIÓN indica una situación que **podría ocasionar daños al producto.**

ADVERTENCIA

Ciertos componentes en este producto y sus accesorios relacionados contienen químicos que el Estado de California considera que ocasionan cáncer, defectos congénitos y otros daños en el aparato reproductivo. Lávese las manos después de manejarlos.

ADVERTENCIA

La descarga de escape que expelle este motor por este producto contiene químicos conocidos para el Estado de California que pueden ocasionar cáncer, defectos de nacimiento u otros daños que pueden ser perjudiciales para la reproducción.

ADVERTENCIA

Briggs & Stratton no aprueba ni autoriza el uso de estos motores en Vehículos Todo Terreno de 3-ruedas (ATVs), bicicletas motorizadas, karts para diversión/recreo, productos para aviación o vehículos para uso en eventos competitivos. El uso de estos motores en tales aplicaciones podría ocasionar daños a la propiedad, lesiones graves (incluyendo parálisis), o incluso la muerte.

NOTIFICACIÓN: Este motor fue despachado de Briggs & Stratton sin aceite. Antes de darle arranque al motor, asegúrese de agregar aceite de acuerdo con las instrucciones de este manual. Si da arranque al motor sin que éste tenga aceite, se dañará hasta tal punto que no podrá ser reparado y no será cubierto por la garantía.

ADVERTENCIA

 **La gasolina y sus vapores son extremadamente inflamables y explosivos.**

 **Un incendio o una explosión pueden causar graves quemaduras o la muerte.**

Quando Aprovechase con Combustible

- Apague el motor y deje que el motor se enfríe por lo menos 2 minutos antes de remover la tapa de combustible.
- Llene el tanque de combustible en exteriores o en un área bien ventilada.
- No llene demasiado el tanque de combustible. Para permitir la expansión de la gasolina, no llene arriba de la parte inferior del cuello del tanque de combustible.
- Mantenga la gasolina y sus vapores a distancia de chispas, llamas abiertas, testigos piloto, calor, o de cualquier otra fuente de encendido.
- Compruebe con frecuencia si existen grietas o fugas en las mangueras de combustible, el tanque, la tapa y en los accesorios. Cámbielos si es necesario
- Si se derramó combustible, espere hasta que se haya evaporado antes de darle arranque al motor.

Quando le de Arranque al motor

- Asegúrese que la bujía, el mofle, la tapa de combustible y el filtro de aire (si está equipado) estén en su lugar, y firmemente asegurados.
- No haga girar el motor si removió la bujía.
- Si el motor se inunda, ajuste el estrangulador (si está equipado) en la posición OPEN/RUN, coloque el acelerador (si está equipado) en la posición FAST y haga girar el motor hasta que de arranque.

Quando Opere El Equipo

- No incline el motor ni el equipo a un ángulo que pueda ocasionar derrames de gasolina.
- No use el estrangulador para detener el motor.
- Nunca arranque u opere el motor si removió el conjunto del filtro de aire (si está equipado) o el filtro de aire (si está equipado).

Quando cambie el aceite

- Si drene el aceite desde el tubo superior de llenado de aceite, el tanque de combustible debe estar vacío o de lo contrario podría presentarse una fuga de combustible que podría ocasionar un incendio o una explosión.

Quando Transporte el Equipo


- Transpórtelo con el tanque de combustible VACÍO o con la válvula de paso de combustible en la posición OFF.

Almacenamiento de la Gasolina o del Equipo con Combustible en el Tanque

- Almacene a distancia de hornos, estufas, calentadores de agua u otros aparatos que utilicen testigos piloto u otras fuentes de encendido ya que estos pueden encender los vapores de gasolina.

ADVERTENCIA

 **Dar arranque al motor crea chispeo.**

 **El chispeo puede encender los gases inflamables cercanos.**

 **Podría ocurrir una explosión o un incendio.**

- Si hay una fuga de gas natural o gas propano LP en el área, no le de arranque al motor.
- No use líquidos de arranque presurizado ya que los vapores son inflamables.



ADVERTENCIA



Los motores emiten monóxido de carbono, un gas venenoso que carece de olor y de color.

Respirar monóxido de carbono puede ocasionar náuseas, desmayos o la muerte.

- Dele arranque al motor y opérelo en exteriores.
- No le de arranque al motor ni lo opere en un área encerrada, aun cuando las puertas o las ventanas se encuentren abiertas.



ADVERTENCIA



La retracción rápida de la cuerda de arranque (contragolpe) le halará la mano y el brazo hacia el motor más rápido de lo que usted la pueda dejar ir.

Podrían ocasionarse roturas de huesos, fracturas, moretones o torceduras.

- Cuando le de arranque al motor, hale lentamente la cuerda hasta que se sienta resistencia y después hálela rápidamente para evitar un contragolpe.
- Remueva todas las cargas externas del equipo/motor antes de darle arranque al motor.
- Los componentes de acople directo del equipo tal como, pero sin limitarse a, cuchillas, impulsores, poleas, dientes de piñones, etc. se deben asegurar firmemente.



ADVERTENCIA



Las partes rotantes pueden tener contacto o enredar las manos, los pies, el cabello, la ropa o los accesorios.

Puede producirse una traumática amputación o una grave laceración.

- Opere el equipo con los protectores en su lugar.
- Mantenga sus manos y sus pies a distancia de las partes rotantes.
- Recójase el cabello largo y quítese las joyas.
- No use ropa floja, tiras que cuelguen ni artículos que puedan ser agarrados.



ADVERTENCIA



El funcionamiento de los motores produce calor. Las partes de los motores, especialmente el mofle, se calientan demasiado.

Pueden ocurrir graves quemaduras a causa de su contacto.



Desechos combustibles, tal como hojas, grama, maleza, etc. pueden alcanzar a encenderse.

- Deje que el mofle, el cilindro y las aletas del motor se enfríen antes de tocarlos.
- Remueva los desechos acumulados en el área del mofle y en el área del cilindro.
- Usar u operar el motor en un terreno que contenga bosques, arbustos o pasto es una violación al Código de Recursos Públicos de California, Sección 4442, a menos que el sistema de escape esté equipado con un atrapachispas, según se define en la Sección 4442, mantenido en excelente estado de funcionamiento. Otros estados o jurisdicciones federales pueden tener leyes similares. Contacte al fabricante, comerciante o distribuidor del equipo original para obtener un atrapachispas diseñado para el sistema de escape instalado en este motor.



ADVERTENCIA



Un chispeo involuntario puede producir un incendio o una descarga eléctrica.



Una puesta en marcha involuntaria puede ocasionar un enredo, una amputación traumática o una laceración.



Peligro de incendio

Antes de hacer ajustes o reparaciones:

- Desconecte el cable de la bujía y mántegalo a distancia de la bujía.
- Desconecte la batería en la terminal negativa (únicamente motores con arranque eléctrico).
- Use únicamente las herramientas correctas.
- No manipule los resortes del regulador, las varillas u otras partes para incrementar la velocidad del motor.
- Los repuestos deben ser iguales e instalarse en la misma posición que tenían las partes originales.
- No golpee la volante con un martillo ni con un objeto pesado ya que la volante podría astillarse más adelante durante la operación.

Cuando compruebe chispa:

- Utilice un probador aprobado.
- No compruebe chispa si removió la bujía.

Características y Controles

Compare la ilustración **1** con su motor para que se familiarice con la ubicación de las diversas características y controles.

- A. Identificación del motor
Modelo, Tipo y Código. Ejemplo:
- B. Bujía
- C. Filtro de Aire
- D. Cuerda de arranque (opcional)
- E. Varilla Indicadora Nivel de Aceite
- F. Tapón Drenaje Aceite
- G. Mofle
Protector del mofle (opcional)
Atrapachispas (opcional)
- H. Protector de Dedos
- I. Malla de la Volante
- J. Filtro de aceite (opcional)
- K. Arranque Eléctrico (opcional)
- L. Carburador
- M. Filtro de Combustible (opcional)
- N. Bomba de Combustible (opcional)
- O. Drenaje rápido del aceite (opcional)

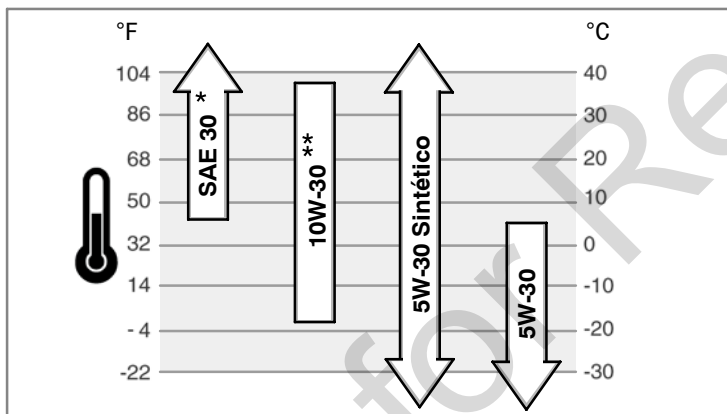
Operación

Capacidad de aceite (vea la sección de **Especificaciones**)

Recomendaciones de Aceite

Se recomienda el uso de aceites Certificados por la Garantía Briggs & Stratton para mejor rendimiento. Otros aceites detergentes de alta calidad son aceptables si están clasificados para servicio SF, SG, SH, SJ o superior. No utilice aditivos especiales.

Las temperaturas exteriores determinan la viscosidad del aceite apropiada para el motor. Utilice el cuadro para seleccionar la mejor viscosidad para el rango de temperatura exterior esperado.



* El uso de aceite SAE 30 a temperaturas inferiores a 40°F (4°C) producirá dificultad de arranque.

** El uso de aceite 10W-30 a temperaturas superiores a 80°F (27°C) puede producir un incremento en el consumo de aceite. Compruebe el nivel de aceite con mayor frecuencia.

Cómo verificar/Añadir aceite - Figura 1 2

Antes de aprovisionar con aceite o de comprobar el nivel de aceite

- Coloque el motor a nivel.
 - Limpie el área de llenado de aceite de todo desecho.
1. Remueva la varilla indicadora de nivel de aceite (A) y límpiela con un trapo limpio (Figura 2).
 2. Inserte y apriete la varilla indicadora de nivel de aceite.
 3. Remueva la varilla indicadora de nivel de aceite y compruebe el nivel de aceite. El aceite debe llegar arriba del indicador de (B) en la varilla indicadora de nivel de aceite.
 4. Si el nivel de aceite es bajo, añada aceite lentamente por dentro del tubo de llenado de aceite (C). **No llene excesivamente.** Después de aprovisionar con aceite, espere un minuto y después vuelva a comprobar el nivel de aceite.
Nota: No agregue aceite al drenaje rápido del aceite (O, Figura 1) (si está equipado).
 5. Coloque y apriete la varilla indicadora de nivel de aceite.

Presión de Aceite

Si la presión de aceite es muy baja, un suiche de presión (si está equipado) detendrá el motor o activará un dispositivo de advertencia en el equipo. Si esto ocurre, detenga el motor y compruebe el nivel de aceite con la varilla indicadora de nivel de aceite.

Si el nivel de aceite está por debajo de la marca ADD, agregue aceite hasta que alcance la marca FULL. De arranque al motor y compruebe que tenga la presión correcta antes de continuar la operación.

Si el nivel de aceite está entre las marcas ADD y FULL, **no de arranque** al motor. Contacte un Distribuidor Autorizado Briggs & Stratton para corregir el problema de presión de aceite.

Recomendaciones para el Combustible

El combustible debe cumplir con estos requerimientos:

- Gasolina limpia, fresca y libre de plomo.
- Un mínimo de 87 octanos/87 AKI (91 RON). Para uso a alta altitud vea a continuación.
- El uso de gasolina hasta con el 10% de ethanol (gasohol) o hasta el 15% de MTBE (methyl tertiary butyl ether), es aceptable.

PRECAUCIÓN: No use gasolina que no haya sido aprobada tal como E85. No mezcle el aceite con la gasolina, ni modifique el motor para operarlo con combustibles alternos. Esto dañará los componentes del motor e **invalidará la garantía del motor.**

Para proteger el sistema de combustible de la formación de depósitos de goma, mézclele un estabilizador de combustible cuando le añada combustible. Consulte el aparte: **Bodegaje.** Todos los combustibles no son los mismos. Si se presentan problemas de arranque o de rendimiento cambie de proveedor de combustible o de marca. Este motor está certificado para operar con gasolina. El sistema de control de emisiones para este motor es EM (Modificaciones del Motor).

Alta Altitud

Para altitudes superiores a 5.000 pies (1.524 metros), es aceptable el uso de gasolina con un mínimo de 85 octanos/85 AKI (89 RON). Para cumplir con las emisiones, se requiere hacer un ajuste para alta altitud. Si la operación se realiza sin haber hecho éste ajuste se causará una disminución en el rendimiento, un aumento del consumo de combustible y un aumento en las emisiones. Consulte con un distribuidor autorizado de Briggs & Stratton para obtener información relacionada con el ajuste para alta altitud.

No se recomienda operar el motor a altitudes inferiores a 2.500 pies (762 metros) con el kit para alta altitud.

Cómo agregar combustible - Figura 3



ADVERTENCIA



La gasolina y sus vapores son extremadamente inflamables y explosivos.



Un incendio o una explosión pueden causar graves quemaduras o la muerte.

Cuando Aprovisione con Combustible

- Apague el motor y deje que el motor se enfríe por lo menos 2 minutos antes de remover la tapa de combustible.
- Llène el tanque de combustible en exteriores o en un área bien ventilada.
- No llene demasiado el tanque de combustible. Para permitir la expansión de la gasolina, no llene arriba de la parte inferior del cuello del tanque de combustible.
- Mantenga la gasolina y sus vapores a distancia de chispas, llamas abiertas, testigos piloto, calor, o de cualquier otra fuente de encendido.
- Compruebe con frecuencia si existen grietas o fugas en las mangueras de combustible, el tanque, la tapa y en los accesorios. Cámbielos si es necesario
- Si se derramó combustible, espere hasta que se haya evaporado antes de darle arranque al motor.

1. Limpie el área de la tapa de combustible de polvo y desechos. Retire la tapa de combustible (A). (Figura 3).
2. Fill the fuel tank (B) with gasoline. To allow for expansion of the gasoline, do not fill above the bottom of the fuel tank neck (C).
3. Re-instale la tapa de combustible.

Cómo Darle Arranque al Motor - Figura 4



ADVERTENCIA



La retracción rápida de la cuerda de arranque (contragolpe) le halará la mano y el brazo hacia el motor más rápido de lo que usted la pueda dejar ir.

Podrían ocasionarse roturas de huesos, fracturas, moretones o torceduras.

- Cuando le de arranque al motor, hale lentamente la cuerda hasta que se sienta resistencia y después hálela rápidamente para evitar un contragolpe.



ADVERTENCIA



La gasolina y sus vapores son extremadamente inflamables y explosivos.

Un incendio o una explosión pueden causar graves quemaduras o la muerte.

Quando le de Arranque al motor

- Asegúrese que la bujía, el mofle, la tapa de combustible y el filtro de aire (si está equipado) estén en su lugar, y firmemente asegurados.
- No haga girar el motor si removió la bujía.
- Si el motor se inunda, ajuste el estrangulador (si está equipado) en la posición OPEN/RUN, coloque el acelerador (si está equipado) en la posición FAST y haga girar el motor hasta que de arranque.



ADVERTENCIA



Los motores emiten monóxido de carbono, un gas venenoso que carece de olor y de color.

Respirar monóxido de carbono puede ocasionar náuseas, desmayos o la muerte.

- Dele arranque al motor y opérela en exteriores.
- No le de arranque al motor ni lo opere en un área encerrada, aun cuando las puertas o las ventanas se encuentren abiertas.

NOTIFICACIÓN: Este motor fue despachado de Briggs & Stratton sin aceite. Antes de darle arranque al motor, asegúrese de aprovisionar con aceite de acuerdo con las instrucciones de este manual. Si le da arranque al motor sin que esté provisto de aceite, éste se dañará más allá de la reparación y no será cubierto por la garantía.

Nota: Algunos motores y equipos tienen controles remotos. Vea el manual del equipo para la ubicación y operación de los controles remotos.

1. Compruebe el nivel de aceite. Vea la sección **Cómo Comprobar/Aprovisionar con Aceite**.
2. Asegúrese de que los controles de accionamiento del equipo, si está equipado, se encuentren desengranados.
3. Gire la válvula de cierre de combustible (A), si está equipado, hacia la posición (Figura 4).
4. Mueva el control del acelerador (B) hacia la posición fast . Opere el motor con el control del acelerador en la posición fast .
5. Mueva el control del estrangulador (C), o la palanca combinada de estrangulador/acelerador, hacia la posición choke .

Nota: Generalmente el estrangulador no es necesario cuando se enciende un motor caliente.
6. **Arranque retráctil:** Gire el suiche de llave (D) hacia la posición run.
7. **Arranque retráctil:** Sostenga firmemente la manija de la cuerda de arranque (E). Jale lentamente la cuerda de arranque hasta que se sienta resistencia, después jálela rápidamente.

Nota: Si el motor no arranca después de varios intentos, visite **BRIGGSandSTRATTON.COM** o llame al **1-800-233-3723** (en los EE.UU.).



ADVERTENCIA:

La retracción rápida de la cuerda de arranque (contragolpe) le halará la mano y el brazo hacia el motor más rápido de lo que usted pueda dejar ir. Podrían ocasionarse roturas de huesos, fracturas, moretones o torceduras. Cuando le de arranque al motor, hale lentamente la cuerda hasta que se sienta resistencia y después hálela rápidamente para evitar un contragolpe.

8. **Arranque eléctrico:** Gire el suiche del arranque eléctrico (D) hacia la posición on/Start. Refiérase al manual del equipo para la ubicación y operación del suiche.

Nota: Si el motor no arranca después de varios intentos, visite **BRIGGSandSTRATTON.COM** o llame al **1-800-233-3723** (en los EE.UU.).

NOTIFICACIÓN: Para prolongar la duración del arrendador, utilice ciclos de arranque cortos (máximo de cinco segundos). Espere un minuto entre ciclos de arranque.
9. A medida que el motor se calienta, mueva el control del estrangulador (C) a la posición run .

Cómo Detener el Motor **Figura - 4**



ADVERTENCIA



La gasolina y sus vapores son extremadamente inflamables y explosivos.

Un incendio o una explosión pueden causar graves quemaduras o la muerte.

- No use el estrangulador para detener el motor.

1. Con el control del acelerador en la posición fase , gire el suiche de llave (D) hacia la posición off (Figura 4).
2. Después de que se detenga el motor, gire la válvula de cierre de combustible (A), si está equipado, a la posición cerrada .

Mantenimiento

Utilice sólo repuestos originales para los equipos. Es posible que otros repuestos no funcionen tan bien, dañen la unidad y hasta pueden ocasionar lesiones.

Además, el uso de otros repuestos puede anular la validez de su garantía.

Recomendamos contactar un Distribuidor Autorizado Briggs & Stratton para todo lo relacionado con el mantenimiento y el servicio del motor y sus partes.

NOTIFICACIÓN: Todos los componentes utilizados para fabricar este motor deben mantenerse en su lugar para una correcta operación.

Control de Emisiones

El mantenimiento, cambio o reparación de los dispositivos y sistemas del control de emisiones pueden ser realizados por cualquier establecimiento o persona que repare motores todo terreno. Sin embargo, para obtener servicio de control de emisiones "sin costo", la labor debe ser realizada por un distribuidor autorizado por la fábrica. Vea la Garantía de Emisiones.



ADVERTENCIA



Un chispeo involuntario puede producir un incendio o una descarga eléctrica.



Una puesta en marcha involuntaria puede ocasionar un enredo, una amputación traumática o una laceración.



Peligro de incendio

Antes de hacer ajustes o reparaciones:

- Desconecte el cable de la bujía y mántegalo a distancia de la bujía.
- Desconecte la batería en la terminal negativa (únicamente motores con arranque eléctrico).
- Use únicamente las herramientas correctas.
- No manipule los resortes del regulador, las varillas u otras partes para incrementar la velocidad del motor.
- Los repuestos deben ser iguales e instalarse en la misma posición que tenían las partes originales.
- No golpee la volante con un martillo ni con un objeto pesado ya que la volante podría astillarse más adelante durante la operación.

Quando compruebe chispa:

- Utilice un probador aprobado.
- No compruebe chispa si removió la bujía.

Cuadro de Mantenimiento

Las Primeras 5 horas
<ul style="list-style-type: none"> • Cambie aceite
Cada 8 Horas o Diariamente
<ul style="list-style-type: none"> • Compruebe el nivel de aceite del motor. • Limpie el área alrededor del mofle y los controles • Limpie el protector de dedos (si está equipado)
Cada 25 horas o anualmente
<ul style="list-style-type: none"> • Limpie el filtro de aire * • Limpie el pre-filtro *
Cada 50 horas o anualmente
<ul style="list-style-type: none"> • Cambie el aceite del motor • Reemplace el filtro de aceite (si está equipado) • Compruebe el mofle y el atrapachispas
Anualmente
<ul style="list-style-type: none"> • Cambie el filtro de aire. • Reemplace el pre-filtro • Cambie la bujía • Limpie el sistema de enfriamiento de aire * • Reemplace el filtro de combustible • Compruebe la tolerancia de la válvula **

* Limpie con mayor frecuencia en condiciones de mucho polvo o cuando el aire contenga muchas partículas.

** No se requiere a menos que se detecten problemas de rendimiento del motor.

Ajuste del Carburador

Nunca le haga ajustes al carburador. El carburador ha sido ajustado de fábrica para operar eficientemente bajo la mayoría de las condiciones. Sin embargo, si se requiere que éste sea ajustado, consulte cualquier Distribuidor de Servicio Autorizado Briggs & Stratton.

NOTIFICACIÓN: El fabricante del equipo en el cual es instalado el motor especifica la velocidad máxima en la cual será operado el motor. **No exceda** esta velocidad.

Cómo reemplazar la bujía - Figura 5

Compruebe el entrehierro (A, Figura 5) con un calibrador de alambre (B). Si es necesario, reajuste el entrehierro. Instale y apriete la bujía al par de apriete recomendado. Para el ajuste del entrehierro o el par de apriete, consulte la sección de **Especificaciones**.

Nota: En algunas áreas, las leyes locales requieren el uso de una bujía con resistencia para suprimir las señales de encendido. Si este motor vino originalmente equipado con una bujía con resistencia, utilice el mismo tipo de bujía para el cambio.

Inspección del Mofle y el Atrapachispas - Figura 6



ADVERTENCIA



El funcionamiento de los motores produce calor. Las partes de los motores, especialmente el mofle, se calientan demasiado.

Pueden ocurrir graves quemaduras a causa de su contacto.



Desechos combustibles, tal como hojas, grama, maleza, etc. pueden alcanzar a encenderse.

- Deje que el mofle, el cilindro y las aletas del motor se enfríen antes de tocarlos.
- Remueva los desechos acumulados en el área del mofle y en el área del cilindro.
- Usar u operar el motor en un terreno que contenga bosques, arbustos o pasto es una violación al Código de Recursos Públicos de California, Sección 4442, a menos que el sistema de escape esté equipado con un atrapachispas, según se define en la Sección 4442, mantenido en excelente estado de funcionamiento. Otros estados o jurisdicciones federales pueden tener leyes similares. Contacte al fabricante, comerciante o distribuidor del equipo original para obtener un atrapachispas diseñado para el sistema de escape instalado en este motor.

Inspeccione el mofle (A, Figura 6) en busca de grietas, corrosión u otros daños. Remueva el atrapachispas (B), en caso de estar equipado, e inspeccione en búsqueda de daños u obstrucciones de carbón. Si se requieren repuestos, asegúrese de usar únicamente repuestos originales para el equipo.



ADVERTENCIA: Los repuestos deben ser iguales y ser instalados en la misma posición que tenían las partes originales, de lo contrario puede ocurrir un incendio.

Cómo cambiar el aceite - Figura 7 8 9 10

El aceite usado es un producto de desecho peligroso y se debe disponer de éste adecuadamente. No lo descarte en la basurera de la casa. Verifique con sus autoridades locales, con el centro de servicio, o con su distribuidor para obtener información acerca de las facilidades seguras para su destrucción/reciclaje.

Remoción del Aceite

1. Con el motor apagado pero aún caliente, desconecte el cable de la bujía (A) y manténgalo a distancia de la bujía (Figura 7).
2. Retire la varilla indicadora de nivel de aceite (D).

Tapón de drenaje de aceite estándar

1. Remueva el tapón de drenaje de aceite (B, Figura 8). Drene el aceite a un recipiente aprobado.

Nota: Cualquiera de los tapones de drenaje de aceite mostrados a continuación puede estar instalado en el motor.



2. Después de haber drenado el aceite del motor, instale y apriete el tapón de drenaje de aceite.

Tapón de drenaje de aceite opcional

1. Desconecte la manguera de drenaje de aceite (G, Figura 9) del lado del motor.
2. Gire y retire la tapa de drenaje del aceite (H). Cuidadosamente haga descender el drenaje rápido del aceite (I) a un recipiente aprobado (J).
3. Después de drenar el aceite, coloque y apriete la tapa de drenaje de aceite. Fije a la manguera de drenaje del aceite al lado del motor.

Cambie el Filtro de Aceite (si está equipado)

Algunos modelos están equipados con un filtro de aceite. Para saber cada cuánto requiere ser reemplazado, consulte el cuadro de **Mantenimiento**.

1. Drene el aceite del motor. Consulte la sección **Remoción del Aceite**.
2. Remueva el filtro de aceite (C) y deséchelo de manera adecuada. Vea la Figura 10.
3. Antes de instalar el nuevo filtro de aceite, lubrique un poco el empaque del filtro de aceite con aceite fresco y limpio.
4. Instale manualmente el filtro de aceite de hasta que el empaque haga contacto con el adaptador del filtro de aceite, luego apriete el filtro de aceite dándole 1/2 a 3/4 de giro.
5. Añada aceite. Consulte la sección **Aprovisionamiento de Aceite**.

6. De arranque y opere el motor. A medida que el motor se caliente compruebe si hay fugas de aceite.
7. Detenga el motor y compruebe el nivel de aceite. El nivel de aceite debe alcanzar la parte superior del indicador de lleno (J) en la varilla indicadora de nivel de aceite (Figura 7).

Aprovisionamiento de Aceite

- Coloque el motor a nivel.
 - Limpie el área de llenado de aceite de todo desecho.
 - Consulte la sección de **Especificaciones** para la capacidad de aceite.
1. Remueva la varilla indicadora de nivel de aceite (D) y límpiela con un trapo limpio (Figura 7).
 2. Vierta el aceite lentamente por dentro del tubo de llenado de aceite (E). **No lo llene excesivamente.** Después de aprovisionar con aceite, espere un minuto y vuelva a comprobar el nivel de aceite.
Nota: No agregue aceite al drenaje rápido del aceite (I) (si está equipado).
 3. Coloque y ajuste la varilla indicadora.
 4. Remueva la varilla indicadora de nivel de aceite y compruebe el nivel de aceite. El aceite debe llegar arriba del indicador de (F) en la varilla indicadora de nivel de aceite.
 5. Coloque y ajuste la varilla indicadora.

Cómo mantener el filtro de aire - Figura 11



ADVERTENCIA



La gasolina y sus vapores son extremadamente inflamables y explosivos.



Un incendio o una explosión pueden causar graves quemaduras o la muerte.

- Nunca arranque u opere el motor si removió el conjunto del filtro de aire o el filtro de aire.

NOTIFICACIÓN: No use aire a presión ni solventes para limpiar el filtro. El aire a presión puede dañar el filtro y los solventes pueden disolverlo.

El sistema del filtro de aire utiliza un cartucho plano u ovalado. Algunos modelos también incluyen un pre-filtro que se puede lavar y utilizar de nuevo.

Filtro de Aire Plano

1. Hale la manija de la tapa (A, Figura 11). Gire la manija de la tapa hacia el motor y a luego retire la tapa (B).
2. Remueva el pre-filtro (C), si está equipado, y el filtro (D).
3. Para aflojar los desechos, golpee suavemente el filtro sobre una superficie dura. Si el filtro está excesivamente sucio, reemplácelo con un nuevo filtro.
4. Lave el pre-filtro en detergente líquido y agua. Luego permita que se seque completamente al aire. **No** aceite el pre-filtro.
5. Instale el pre-filtro seco y el filtro sobre la base del motor (E).
6. Alinee las pestañas (F) de la tapa con las muescas (G) en la tapa del ventilador. Gire la manija de la tapa hacia atrás y empuje hacia abajo para que ajuste.

Cómo reemplazar el filtro de combustible - Figura 12



ADVERTENCIA



La gasolina y sus vapores son extremadamente inflamables y explosivos.



Un incendio o una explosión pueden causar graves quemaduras o la muerte.

- Mantenga la gasolina y sus vapores a distancia de chispas, llamas abiertas, testigos piloto, calor, o de cualquier otra fuente de encendido.
- Compruebe con frecuencia si existen grietas o fugas en las mangueras de combustible, el tanque, la tapa y en los accesorios. Cámbielos si es necesario.
- Antes de reemplazar el filtro, drene el tanque de combustible o cierre la válvula de paso de combustible.
- Los repuestos deben ser iguales e instalarse en la misma posición que tenían las partes originales.
- Si se derramó combustible, espere hasta que se haya evaporado antes de darle arranque al motor.

1. Antes de reemplazar el filtro de combustible (A, Figura 12), si está equipado, drene el tanque de combustible o cierre la válvula de paso de combustible. De no hacerlo, se podría presentar una fuga de combustible y generar un incendio o una explosión.
2. Utilice alicates para agarrar las pestañas (B) en las abrazaderas (C), luego aleje las abrazaderas del filtro de combustible. Gire y hale las mangueras de combustible (D) separándolas del filtro de combustible.
3. Revise las mangueras de combustible para comprobar si hay grietas o fugas. Reemplácelas en caso de ser necesario.
4. Reemplace el filtro de combustible con un filtro de repuesto genuino.
5. Asegure las mangueras de combustible con las abrazaderas según lo indicado.

Cómo Limpiar el Sistema de Enfriamiento de Aire - Figura 13



ADVERTENCIA



El funcionamiento de los motores produce calor. Las partes de los motores, especialmente el mofle, se calientan demasiado.



Pueden ocurrir graves quemaduras a causa de su contacto.



Desechos combustibles, tal como hojas, grama, maleza, etc. pueden alcanzar a encenderse.

- Deje que el mofle, el cilindro y las aletas del motor se enfríen antes de tocarlos.
- Remueva los desechos acumulados en el área del mofle y en el área del cilindro.

NOTIFICACIÓN: No use agua para limpiar el motor. El agua podría contaminar el sistema de combustible. Utilice un cepillo o un trapo seco para limpiar el motor. Este es un motor enfriado por aire. Las suciedades o los desechos pueden restringir el flujo de aire y ocasionar recalentamiento en el motor, produciendo un desempeño pobre y una vida del motor reducida.

Utilice un cepillo o un trapo seco para remover los desechos del protector de dedos/malla de la volante (A). Mantenga las varillas, los resortes y los controles (B) limpios. Mantenga el área alrededor y por detrás del mofle (C) libre de todo desecho combustible (Figura 13).

Bodegaje



ADVERTENCIA



La gasolina y sus vapores son extremadamente inflamables y explosivos.



Un incendio o una explosión pueden causar graves quemaduras o la muerte.

Almacenamiento de la Gasolina o del Equipo con Combustible en el Tanque

- Almacene a distancia de hornos, estufas, calentadores de agua u otros aparatos que utilicen testigos piloto u otras fuentes de encendido ya que estos pueden encender los vapores de gasolina.

Sistema de Combustible

La lata de combustible se pasa cuando es almacenada durante más de 30 días. El combustible pasado ocasiona que se formen depósitos de goma y ácido en el sistema

de combustible o en las partes esenciales del carburador. Para mantener fresco el combustible use el estabilizador de combustible FRESH START® de Briggs & Stratton, disponible como aditivo líquido o cartucho concentrado de goteo.

No hay necesidad de drenar gasolina del motor si se agrega un estabilizador de combustible de acuerdo con las instrucciones. Deje que el motor opere durante 2 minutos para permitir que el estabilizador circule por todo el sistema de combustible. De este modo el motor y el combustible pueden ser almacenados hasta por 24 meses.

Si la gasolina en el motor no ha sido tratada con un estabilizador de combustible, debe ser drenada a un recipiente aprobado. Deje que el motor opere hasta que se detenga por la falta de combustible. Se recomienda el uso de un estabilizador de combustible en el recipiente de almacenamiento para mantener la frescura.

Aceite del Motor

Cambie el aceite del motor mientras que el motor se encuentre todavía caliente. Consulte la sección **Cómo cambiar el aceite**.

Detección de Fallas

¿Necesita Asistencia? Vaya a BRIGGSandSTRATTON.COM o marque el teléfono **1-800-233-3723**.

Especificaciones

Especificaciones del Motor	
Modelo	210000
Desplazamiento	21,01 in ³ (344 cm ³)
Diámetro Interno del Cilindro	3,437 in (87,30 mm)
Carrera	2,264 in (57,51 mm)
Capacidad de aceite -sin filtro	42 - 44 oz (1,24 - 1,30 L)
Capacidad de aceite - con filtro	46 - 48 oz (1,36 - 1,40 L)

Especificaciones del Motor	
Modelo	310000
Desplazamiento	30,59 in ³ (501 cm ³)
Diámetro Interno del Cilindro	3,563 in (90,49 mm)
Carrera	3,062 in (77,77 mm)
Capacidad de aceite -sin filtro	42 - 44 oz (1,24 - 1,30 L)
Capacidad de aceite - con filtro	46 - 48 oz (1,36 - 1,40 L)

Especificaciones de Ajuste *	
Modelo	210000, 310000
Entrehierro de la Bujía	0,030 in (0,76 mm)
Par de apriete de la bujía	180 lb-in (20 Nm)
Entrehierro Inducido	0,010 - 0,014 in (0,25 - 0,36 mm)
Tolerancia de la Válvula de Admisión	0,003 - 0,005 in (0,08 - 0,13 mm)
Tolerancia de la Válvula de Escape	0,005 - 0,007 in (0,13 - 0,18 mm)

* La potencia del motor disminuirá 3.5% por cada 1.000 pies (300 metros) sobre el nivel del mar y un 1% por cada 10° F (5,6° C) por encima de 77° F (25° C). Este operará satisfactoriamente a un ángulo de hasta 15°. Refiérase al manual del operador del equipo para obtener información acerca de los límites de operación permitidos en pendientes.

Partes de Servicio Comunes ✓	
Parte de Servicio	Numero de parte
Modelo: 210000	
Filtro de Aire, Plano	698413, 5079
Pre-filtro del Filtro de Aire, Plano	697292, 5079
Aceite - SAE 30 (20 oz, 0.6 L)	100005
Aceite - SAE 30 (48 oz, 1.4 L)	100028
Filtro de Aceite	492932, 5049
Aditivo de Combustible	5041, 5058
Filtro de combustible - motor sin bomba de combustible	394358, 5098
Filtro de combustible - motor sin bomba de combustible	691035, 5065
Bujía con Resistencia	491055
Bujía de Platino de Larga Vida	5066
Llave de Bujía	89838, 5023
Probador de Chispa	19368
Modelo: 310000	
Filtro de Aire, Plano	698083, 5077
Pre-filtro del Filtro de Aire, Plano	697015, 5077
Filtro de Aire, Plano Lavable	697153, 5078
Aceite - SAE 30 (20 oz, 0.6 L)	100005
Aceite - SAE 30 (48 oz, 1.4 L)	100028
Filtro de Aceite	492932, 5049
Aditivo de Combustible	5041, 5058
Filtro de combustible - motor sin bomba de combustible	394358, 5098
Filtro de combustible - motor sin bomba de combustible	691035, 5065
Bujía con Resistencia	491055
Bujía de Platino de Larga Vida	5066
Llave de Bujía	89838, 5023
Probador de Chispa	19368

✓ Recomendamos que contacte a cualquier Distribuidor de Servicio Autorizado Briggs & Stratton para todo lo relacionado con el mantenimiento y el servicio del motor y sus partes. Use únicamente repuestos originales Briggs & Stratton.

GARANTÍA LIMITADA

Briggs & Stratton Corporation reparará o reemplazará, sin costo alguno, cual(es)quier parte(s) del motor considerada(s) como defectuosas en material, mano de obra o ambos. Los gastos de transporte del producto sometido a reparación o cambio bajo esta Garantía deben ser abonados por el comprador. Esta garantía tiene vigencia y está sujeta a los períodos y condiciones establecidos a continuación. Para recibir servicio de garantía, contacte el Distribuidor de Servicio Autorizado más cercano en nuestro mapa de localización de distribuidores en BRIGGSandSTRATTON.COM, o marque el 1-800-233-3723, o según aparezca listado en las 'Páginas Amarillas'.

No existe ninguna otra garantía expresa Las garantías implícitas, incluso aquellas de mercantilidad o adaptabilidad para un fin determinado quedan limitadas a un año a partir de la fecha de compra o a la extensión permitida por la ley, quedando excluidas todas las garantías implícitas. La responsabilidad por daños fortuitos o consecuentes bajo cualesquier y todas las garantías queda excluida en la medida que dicha exclusión sea permitida por la ley. Algunos países o estados no contemplan limitaciones en cuanto a la duración de una garantía implícita, y otros países o estados no permiten la exclusión o limitación de daños consecuentes o incidentales, en cuyo caso la limitación y la exclusión anteriores pueden no ser aplicables para usted. Esta garantía le da derechos legales específicos, pudiendo tener a su vez otros derechos que varían de un país a otro y de un estado a otro.

TÉRMINOS ESTÁNDAR PARA GARANTÍA * ▲

Marca/Tipo de Producto	Uso Privado	Uso Comercial
Vanguard™	2 años	2 años
Extended Life Series™; I/C®; Intek™ I/C®; Intek™ Pro; Professional Series™ con Funda de Hierro Colado Dura-Bore™; 850 Series™ con Funda de Hierro Colado Dura-Bore™; Snow Series MAX™ con Funda de Hierro Colado Dura-Bore™	2 años	1 año
Todos los otros motores Briggs & Stratton	2 años	90 días

* Éstos son nuestros términos de garantía estándares, pero de vez en cuando puede existir una cobertura adicional de la garantía que no fue determinada en el momento de la publicación. Para obtener un listado de los términos de garantía corrientes para su motor, vaya a BRIGGSandSTRATTON.COM o póngase en contacto con su Distribuidor de Servicio autorizado de Briggs & Stratton.

▲ Los motores usados en aplicaciones de Generadores Domésticos están garantizados únicamente para uso privado. Esta garantía no se aplica a motores en equipos usados para energía principal en lugar de un servicio. **Los motores usados en eventos competitivos o en trayectorias comerciales o de renta no están cubiertos por la garantía.**

El período de garantía comienza a partir de la fecha en la cual lo compró el consumidor detallista original o usuario final comercial, y continúa por el período de tiempo establecido en la tabla anterior. "Uso privado" significa uso doméstico personal por el consumidor detallista original. "Uso Comercial" significa todos los otros usos, incluyendo fines comerciales o que produzcan ingresos o renta. Una vez que el motor haya experimentado uso comercial, será considerado en adelante como motor de uso comercial para fines de esta garantía.

No es necesario registrar la garantía para obtener servicio de Briggs & Stratton Products. Guarde su recibo de compra. Si no aporta la prueba de la fecha de compra inicial en el momento de requerir servicio de garantía, se utilizará la fecha de fabricación del producto para determinar el período de garantía.

Acerca de su Garantía

Briggs & Stratton recibe con agrado la reparación bajo garantía y le pedimos disculpas por los inconvenientes presentados. Cualquier Distribuidor de Servicio Autorizado puede hacer reparaciones bajo garantía. La mayor parte de las reparaciones bajo garantía se atienden de manera rutinaria, pero algunas veces las peticiones para el servicio de garantía pueden no ser apropiadas.

Si un cliente no está de acuerdo con la decisión del Distribuidor de Servicio, se realizará una investigación para determinar la aplicabilidad de la garantía. Pida a su Distribuidor de Servicio que envíe toda la información pertinente a su Distribuidor o a la Fábrica para proceder a su revisión. Si el Distribuidor o la Fábrica deciden que su reclamación es justificada, al cliente le será reembolsado totalmente el importe de aquellas partes que son defectuosas. Para evitar cualquier malentendido que pudiera presentarse entre el cliente y el Distribuidor de Servicio, listamos a continuación algunas de las causas de fallas del motor que no cubre la garantía.

Desgaste Normal: Los motores necesitan, como todos los dispositivos mecánicos, el cambio y el servicio periódico de las partes para desempeñarse bien. La garantía no cubrirá la reparación cuando el uso normal haya agotado la vida de una parte o del motor. La garantía no podría aplicarse si el daño del motor ocurrió debido a abuso, falta del mantenimiento habitual, transporte, manejo, bodegaje o instalación inapropiados. De igual manera se invalidará la garantía si el número serial del motor ha sido removido o si el motor ha sido alterado o modificado.

Mantenimiento Incorrecto: La vida útil de un motor depende de las condiciones bajo las cuales opere el motor y del cuidado que éste reciba. Algunas aplicaciones, tales como cultivadoras, bombas y máquinas cortacésped rotantes, se utilizan con mucha frecuencia en condiciones de mucho polvo o en condiciones muy sucias, las cuales pueden hacer que parezca un desgaste prematuro del motor. Tal desgaste, cuando es ocasionado por suciedad, polvo o por el hecho de limpiar la bujía con chorro de arena, o porque otro material abrasivo haya entrado al motor debido a un mantenimiento no apropiado, no será cubierto por la garantía.

Esta garantía cubre únicamente, material defectuoso y/o mano de obra relacionados con el motor, y no el cambio o reembolso del equipo en el cual haya sido montado el motor. Ni extenderá la garantía a reparaciones requeridas debido a:

- 1 Problemas ocasionados por el uso de partes que no sean partes originales Briggs & Stratton.
- 2 Controles del equipo o instalaciones que impidan el arranque, ocasionando un rendimiento poco satisfactorio del motor, o que acorten la vida del motor. (Contacte el fabricante del equipo.)

- 3 Carburadores con fugas, conductos de combustible obstruidos, válvulas atasgadas u otros daños causados por el uso de combustible contaminado o pasado.
- 4 Partes que se hayan rayado o reventado por operar el motor con aceite lubricante insuficiente o contaminado, o por el uso del grado de viscosidad de aceite incorrecto (compruebe el nivel de aceite y termine de aprovisionar cuando sea necesario, y cambie aceite según los intervalos recomendados.) El dispositivo protector del aceite OIL GARD no se puede apagar durante la operación del motor. Se podrían presentar daños en el motor si el nivel de aceite no se mantiene correctamente.
- 5 Reparación o ajuste de partes asociadas o conjuntos tales como embragues, transmisiones, controles remoto, etc., los cuales no son fabricados por Briggs & Stratton.
- 6 Daño o desgaste de partes causado por la entrada de suciedades al motor debido al mantenimiento incorrecto del filtro de aire, montaje incorrecto, o por el uso de un elemento o cartucho para el filtro de aire que no sea original. Limpie y/o cambie el filtro según los intervalos recomendados de acuerdo a lo establecido en el Manual del Operador.
- 7 Partes dañadas por velocidad excesiva o recalentamiento causado por residuos de grama, desechos o suciedades los cuales taponan u obstruyen las aletas de enfriamiento, o el área de la volante, o por daños causados por operar el motor en un área confinada sin la suficiente ventilación. Limpie los desechos del motor según los intervalos recomendados de acuerdo a lo establecido en el Manual del Operador.
- 8 Partes del motor o del equipo quebradas por vibración excesiva causada por un montaje flojo del motor, cuchillas de corte flojas, cuchillas o impulsores flojos o no balanceados, fijación incorrecta del equipo al cigüeñal del motor, velocidad excesiva u otro abuso en la operación.
- 9 Un cigüeñal deformado o quebrado causado por golpear con un objeto sólido la cuchilla de corte de una máquina cortacésped rotante, o por tensión excesiva de las correas en v.
- 10 Afinación o ajuste de rutina del motor.
- 11 Descuido del motor o de los componentes del motor, es decir, cámara de combustión, válvulas, asientos de válvulas, guías de válvulas o bobinados del motor de arranque quemados, causado por el uso de combustibles alternos tales como, gas propano, gas natural, gasolinas alteradas, etc.

Se dispone del servicio de garantía únicamente a través de distribuidores de servicio autorizados por Briggs & Stratton Corporation. Localice su Distribuidor de Servicio Autorizado más cercano en nuestro mapa de localización de distribuidores en BRIGGSandSTRATTON.COM, o marcando el teléfono 1-800-233-3723, o según aparezca listado en las 'Páginas Amarillas'.

Informations générales

Pour obtenir des pièces de rechange ou une assistance technique, reporter ici les numéros de Modèle, Type et Code du moteur ainsi que la date d'achat. Ces numéros sont situés sur le moteur (voir la page **Caractéristiques et commandes**).

Date d'achat: _____
JJ/MM/AAAA

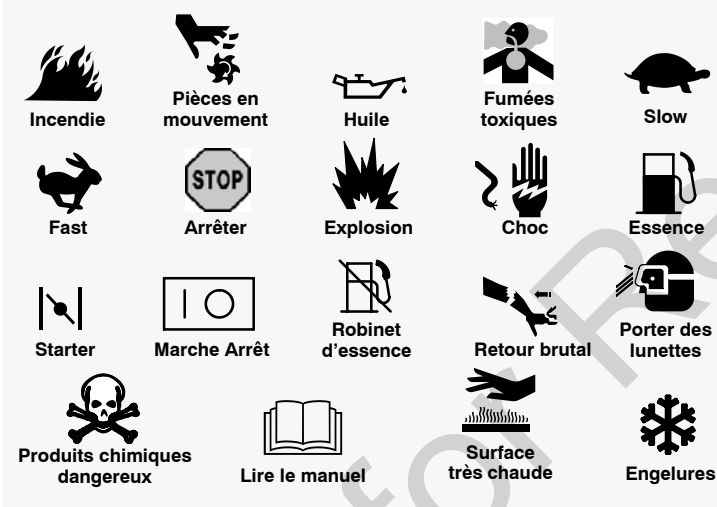
Modèle de moteur: _____
Modèle: _____ Type: _____ Code: _____


Informations concernant la puissance théorique du moteur


La puissance brute pour chaque Modèle de moteur à essence est indiquée conformément au code J1940 (procédure de calcul de la puissance et du couple des petits moteurs) de la SAE (Society of Automotive Engineers) et les performances théoriques ont été obtenues et corrigées selon SAE J1995 (révision 2002-05). Les valeurs de couple sont calculées sur la base de 3060tr/min et celles de puissance sur la base de 3600tr/min. La puissance brute réelle du moteur peut être plus faible notamment à cause des conditions de fonctionnement et des variations d'un moteur à l'autre. Compte tenu de la grande variété de machines sur lesquelles nos moteurs sont utilisés et du nombre de problèmes environnementaux applicables au fonctionnement des équipements, il se peut que le moteur à essence ne développe pas sa puissance théorique une fois qu'il est monté sur une machine particulière (puissance nette ou réelle «sur site»). Cette différence s'explique par un grand nombre de facteurs, tels que (liste non limitative): accessoires (filtre à air, échappement, admission, refroidissement, carburateur, pompe à essence, etc.), limites d'utilisation, conditions ambiantes d'utilisation (température, humidité, altitude) et variations d'un moteur à l'autre. Pour des raisons de fabrication et de capacité limitées, Briggs & Stratton est susceptible de remplacer ce Modèle par un moteur plus puissant.


Sécurité de l'utilisateur


SYMBOLES DE SÉCURITÉ ET DE COMMANDE



Le symbole d'alerte de sécurité  est utilisé pour identifier des informations sur des risques qui peuvent entraîner des blessures. Un mot (DANGER, AVERTISSEMENT, ATTENTION) est utilisé avec le symbole d'alerte pour indiquer le risque de blessure. En outre, un signal de danger peut être utilisé pour représenter le type de risque.

 **DANGER** indique un risque qui, s'il n'est pas éliminé, **entraînera la mort ou des blessures très graves.**

 **AVERTISSEMENT** indique un risque qui, s'il n'est pas éliminé, **pourrait entraîner la mort ou des blessures très graves.**

 **ATTENTION** indique un risque qui, s'il n'est pas éliminé, **pourrait entraîner des blessures mineures ou légères.**

AVIS indique une situation qui **pourrait endommager l'appareil.**

 **AVERTISSEMENT**
Certains composants de ce produit et de ses accessoires contiennent des produits chimiques connus dans l'État de Californie pour provoquer des cancers et des troubles de la procréation. Se laver les mains après chaque manipulation.



AVERTISSEMENT

Les gaz d'échappement de ce moteur contiennent des substances chimiques pouvant causer des cancers, des malformations fœtales ou d'autres problèmes de fécondation.



AVERTISSEMENT

Briggs & Stratton n'approuve pas et n'autorise pas l'utilisation de ces moteurs sur les véhicules tout-terrain à 3 roues, les motocyclettes, les karts de loisir, les avions ou les véhicules destinés à être utilisés en compétition. L'utilisation de ces moteurs pour ces applications peut entraîner des dommages matériels, des lésions graves (y compris la paralysie) ou la mort.

AVIS: Ce moteur a été expédié par Briggs & Stratton sans huile. Avant de le démarrer, s'assurer d'avoir fait le plein d'huile selon les instructions de ce manuel. Si le moteur est démarré sans huile, il sera endommagé irrémédiablement et ne sera pas couvert par la garantie.



AVERTISSEMENT



L'essence et les vapeurs d'essence sont extrêmement inflammables et explosives.



Un incendie ou une explosion peut entraîner des blessures très graves ou même la mort.

Pour faire le plein

- Couper le moteur et le laisser refroidir au moins 2 minutes avant d'ouvrir le bouchon du réservoir.
- Remplir le réservoir de carburant à l'extérieur ou dans un local extrêmement bien ventilé.
- Ne pas trop remplir le réservoir. Pour permettre la dilatation de l'essence, ne pas remplir au-delà du bas du col de remplissage.
- Veiller à tenir l'essence, ainsi que les vapeurs qui en émanent, à l'écart des étincelles, des flammes nues, des veilleuses, de la chaleur et de toute autre source d'ignition.
- Contrôler que les durites, le réservoir, le bouchon et les raccords de carburant ne présentent ni fissures ni fuites. Remplacer si nécessaire.
- Si du carburant a été renversé, attendre son évaporation complète avant de démarrer le moteur.

Pour démarrer le moteur

- S'assurer que la bougie, le bouchon du réservoir de carburant et le filtre à air sont le cas échéant montés et solidement fixés.
- Ne pas faire tourner le moteur avec la bougie enlevée.
- Si le moteur est noyé, placer le starter (le cas échéant) sur OPEN/RUN, amener l'accélérateur sur FAST et lancer le moteur jusqu'à ce qu'il démarre.

Lors de l'utilisation de l'équipement

- Ne pas faire basculer le moteur ou l'équipement au-delà d'un angle qui provoquerait le renversement de l'essence.
- Ne pas actionner le starter pour arrêter le moteur.
- Ne pas démarrer ou faire fonctionner un moteur sans filtre à air ou avec le filtre à air enlevé (le cas échéant).

Vidange d'huile

- Pour vidanger l'huile du tube de remplissage, le réservoir de carburant doit être vide. Le carburant risque sinon de couler et de provoquer un incendie ou une explosion.

Pour transporter l'équipement

- Transporter avec le réservoir de carburant VIDE et le robinet de carburant en position FERMÉE.

Pour stocker de l'essence ou l'équipement avec un réservoir plein

- Les ranger loin des chaudières, cuisinières, chauffe-eau ou tout autre appareil comportant une veilleuse ou une source susceptible de produire une étincelle, car ils pourraient enflammer les vapeurs d'essence.



AVERTISSEMENT



Le démarrage du moteur produit des étincelles.



Les étincelles peuvent enflammer les gaz inflammables à proximité. Ceci pourrait provoquer une explosion ou un incendie.

- S'il y a une fuite de gaz naturel ou de GPL à proximité, ne pas démarrer le moteur.
- Ne pas utiliser de liquides de démarrage sous pression car leurs vapeurs sont inflammables.



AVERTISSEMENT

Les moteurs produisent du monoxyde de carbone, qui est un gaz toxique inodore et invisible.



L'inhalation de monoxyde de carbone peut provoquer des nausées, un évanouissement et entraîner la mort.

- Démarrer et faire fonctionner le moteur à l'extérieur.
- Ne pas démarrer ou faire fonctionner le moteur dans un local fermé, même si les portes et les fenêtres sont ouvertes.



AVERTISSEMENT



La rétraction rapide de la corde de lanceur (retour brutal) tirera votre main et votre bras vers le moteur beaucoup plus vite que vous ne pourrez les laisser partir.

Ceci pourrait entraîner des fêlures, des fractures, des ecchymoses ou des foulures.

- Pour démarrer le moteur, tirer lentement sur la corde jusqu'à sentir une résistance et tirer alors rapidement afin d'éviter l'effet de rétraction.
- Retirer tout équipement extérieur/charge avant de démarrer le moteur.
- Les composants directement couplés à l'équipement, tels que lames, turbines, poulies, engrenages, etc. sans que cette liste soit limitative, devront être fermement arrimés.



AVERTISSEMENT



Les pièces en rotation peuvent toucher ou saisir les mains, les pieds, les cheveux, les vêtements ou les accessoires.

Le résultat peut en être une amputation ou une lacération grave.

- Ne faire fonctionner l'équipement qu'avec les protections en place.
- Ne pas approcher les mains ou les pieds des pièces en mouvement.
- Attacher les cheveux longs et retirer les bijoux.
- Ne pas porter de vêtements amples, de ceintures larges pendantes ou tout vêtement pouvant être saisi.



AVERTISSEMENT



Un moteur en marche produit de la chaleur. Les pièces du moteur, et plus particulièrement le silencieux, deviennent extrêmement chaudes. Les toucher peut provoquer des brûlures sévères.



Les débris combustibles comme les feuilles, l'herbe, les broussailles peuvent s'enflammer.

- Laisser le silencieux, le cylindre du moteur et les ailettes refroidir avant de les toucher.
- Retirer les débris accumulés autour du silencieux et du cylindre.
- La Section 4442 du California Public Resource Code (Code des ressources publiques de Californie) interdit l'utilisation ou le fonctionnement du moteur dans des espaces recouverts de forêts, de broussailles ou d'herbe sauf si le système d'échappement est équipé d'un pare-étincelles, tel que défini dans la Section 4442, en bon état de fonctionnement. D'autres états ou juridictions fédérales peuvent appliquer des lois similaires. Contacter le fabricant, le distributeur ou le fournisseur d'origine de l'équipement pour obtenir un pare-étincelles conçu pour le système d'échappement installé sur ce moteur.



AVERTISSEMENT



Une étincelle accidentelle peut provoquer un incendie ou un choc électrique.



Un démarrage accidentel peut causer un étranglement, l'amputation ou la lacération d'un membre.



Risque d'incendie

Avant d'effectuer des réglages ou des réparations

- Débrancher le fil de bougie et l'attacher à bonne distance de la bougie.
- Débrancher le câble Négatif de la batterie (seulement pour les moteurs à démarrage électrique).
- N'utiliser que les outils corrects.
- Ne pas modifier les ressorts du régulateur, les tringles et autres pièces pour augmenter le régime du moteur.
- Les pièces de rechange doivent être d'origine et installées de la même façon que les pièces précédentes.
- Ne pas taper sur le volant moteur avec un marteau ou un objet dur cela pourrait entraîner une rupture ultérieure du volant pendant que le moteur fonctionne.

Contrôle de l'étincelle

- Utiliser un contrôleur homologué.
- Ne pas contrôler l'étincelle avec la bougie retirée.

Caractéristiques et commandes

Comparer l'illustration ① avec le moteur pour se familiariser avec l'emplacement des différents composants et commandes.

- A. Identification du moteur
Modèle Type Code
- B. Bougie
- C. Filtre à air
- D. Poignée du lanceur (en option)
- E. Jauge à huile
- F. Bouchon de vidange
- G. Échappement
Grille du pot d'échappement (en option)
Pare-étincelles (en option)
- H. Protège-mains
- I. Grille de volant
- J. Filtre à huile (en option)
- K. Démarreur électrique (en option)
- L. Carburateur
- M. Filtre à carburant (en option)
- N. Pompe à carburant (en option)
- O. Vidange d'huile rapide (en option)

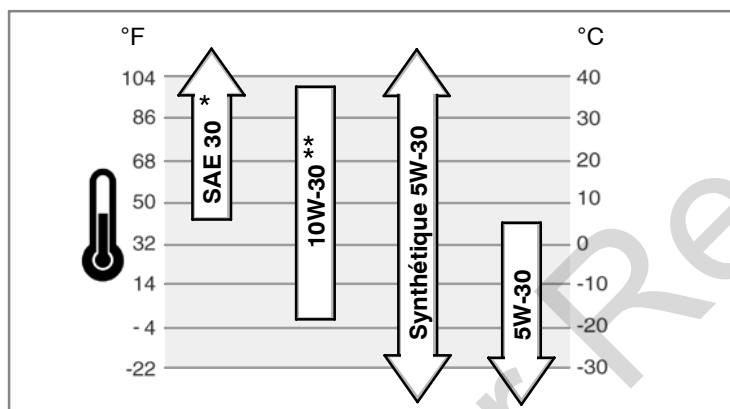
Fonctionnement

Capacité d'huile (voir la section **Spécifications**)

Recommandations concernant l'huile

Nous recommandons l'utilisation des huiles certifiées par la garantie Briggs & Stratton pour obtenir les meilleures performances. D'autres huiles détergentes sont acceptables si elles sont classées SF, SG, SH, SJ ou supérieur. Ne pas utiliser d'additifs pour huile.

La température extérieure détermine la viscosité de l'huile. Utiliser le tableau pour sélectionner la viscosité qui correspond à la gamme de température attendue.



* L'emploi d'huile SAE 30 au-dessous de 4°C rend le démarrage difficile.

** L'utilisation d'une huile 10W-30 à des températures supérieures 27°C entraînera une consommation d'huile supérieure à la normale. Vérifier le niveau d'huile plus souvent.

Vérification/Plein d'huile - Figure ① ②

Avant de vérifier ou de faire le plein d'huile

- Mettre le moteur de niveau.
- Nettoyer le pourtour de l'orifice de remplissage de tout débris.
- 1. Sortir la jauge (A) et nettoyer avec un chiffon propre (Figure 2).
- 2. Mettre la jauge et la serrer.
- 3. Retirer la jauge et vérifier le niveau. L'huile doit être au ras de l'indicateur de niveau maximum (B) de la jauge.
- 4. S'il est plus bas, verser doucement de l'huile dans l'orifice de remplissage du moteur (C). **Ne pas trop remplir.** Après avoir ajouté de l'huile, attendre une minute et revérifier le niveau d'huile.
Remarque: Ne pas ajouter d'huile au niveau de la vidange d'huile rapide (O, Figure 1) (le cas échéant).
- 5. Remettre la jauge et la serrer.

Pression d'huile

Si la pression de l'huile est trop basse, un contacteur de pression (le cas échéant) arrête le moteur ou active un dispositif sonore sur l'équipement. Dans ce cas, arrêter le moteur et vérifier le niveau d'huile avec la jauge.

Si le niveau d'huile est situé au-dessous du repère ADD, verser de l'huile jusqu'au repère FULL. Démarrer le moteur et vérifier que la pression est correcte avant de continuer.

Si le niveau d'huile est situé entre les repères ADD et FULL, **ne pas démarrer** le moteur. Contacter un Réparateur Agréé Briggs & Stratton pour corriger le problème de pression de l'huile.

Recommandations concernant le carburant

Le carburant doit répondre aux critères suivants:

- Essence fraîche, propre, sans plomb.
- Un indice minimum d'Octane de 87/87 AKI (91 RON). En cas d'utilisation en altitude, voir ci-après.
- Une essence contenant 10% d'éthanol au maximum ou 15% de MTBE (éther méthyl-tertiobutylque) au maximum, est acceptable.

ATTENTION: Ne pas utiliser d'essence non approuvée, comme la E85. Ne pas mélanger d'huile à l'essence ni modifier le moteur pour fonctionner avec des carburants alternatifs. Cela endommagerait le moteur et **annulerait la garantie moteur.**

Pour protéger le système d'admission d'essence contre la formation de gomme, mélanger un stabilisateur à l'essence. Voir le **stockage**. Tous les carburants ne sont pas les mêmes. En cas de difficultés à démarrer ou de problèmes de fonctionnement, changer de fournisseur ou de marque d'essence. Ce moteur est certifié pour fonctionner à l'essence. Le système de contrôle des émissions de ce moteur est EM (Modifications Moteur).

Haute altitude

À une altitude supérieure à 1524mètres, une essence avec un indice d'octane d'au moins 85/85 AKI (89 RON) est acceptable. Pour conserver les caractéristiques d'émission, un réglage spécial haute altitude est nécessaire. Faire fonctionner le moteur sans ce réglage fait baisser les performances, augmenter la consommation et les émissions. Voir un Réparateur Agréé Briggs & Stratton pour obtenir des informations sur le réglage haute altitude.

Le fonctionnement du moteur à une altitude inférieure à 762mètres avec le kit haute altitude n'est pas recommandé.

Plein d'essence - Figure ③



AVERTISSEMENT



L'essence et les vapeurs d'essence sont extrêmement inflammables et explosives.



Un incendie ou une explosion peut entraîner des blessures très graves ou même la mort.

Pour faire le plein

- Couper le moteur et le laisser refroidir au moins 2 minutes avant d'ouvrir le bouchon du réservoir.
- Remplir le réservoir de carburant à l'extérieur ou dans un local extrêmement bien ventilé.
- Ne pas trop remplir le réservoir. Pour permettre la dilatation de l'essence, ne pas remplir au-delà du bas du col de remplissage.
- Veiller à tenir l'essence, ainsi que les vapeurs qui en émanent, à l'écart des étincelles, des flammes nues, des veilleuses, de la chaleur et de toute autre source d'ignition.
- Contrôler que les durites, le réservoir, le bouchon et les raccords de carburant ne présentent ni fissures ni fuites. Remplacer si nécessaire.
- Si du carburant a été renversé, attendre son évaporation complète avant de démarrer le moteur.

1. Nettoyer le pourtour du bouchon d'essence de la poussière et des débris. Enlever le bouchon d'essence (A) (Figure 3).
2. Remplir le réservoir (B) d'essence. Pour permettre la dilatation du carburant, ne pas remplir plus haut que le bas du col du réservoir (C).
3. Remettre le bouchon du réservoir en place.

Démarrage du moteur - Figure ④



AVERTISSEMENT



La rétraction rapide de la corde de lanceur (retour brutal) tirera votre main et votre bras vers le moteur beaucoup plus vite que vous ne pourrez les laisser partir.

Ceci pourrait entraîner des fêlures, des fractures, des ecchymoses ou des foulures.

- Pour démarrer le moteur, tirer lentement sur la corde jusqu'à sentir une résistance et tirer alors rapidement afin d'éviter l'effet de rétraction.



AVERTISSEMENT



L'essence et les vapeurs d'essence sont extrêmement inflammables et explosives.



Un incendie ou une explosion peut entraîner des blessures très graves ou même la mort.

Pour démarrer le moteur

- S'assurer que la bougie, le bouchon du réservoir de carburant et le filtre à air sont le cas échéant montés et solidement fixés.
- Ne pas faire tourner le moteur avec la bougie enlevée.
- Si le moteur est noyé, placer le starter (le cas échéant) sur OPEN/RUN, amener l'accélérateur sur FAST et lancer le moteur jusqu'à ce qu'il démarre.



AVERTISSEMENT

Les moteurs produisent du monoxyde de carbone, qui est un gaz toxique inodore et invisible.



L'inhalation de monoxyde de carbone peut provoquer des nausées, un évanouissement et entraîner la mort.

- Démarrer et faire fonctionner le moteur à l'extérieur.
- Ne pas démarrer ou faire fonctionner le moteur dans un local fermé, même si les portes et les fenêtres sont ouvertes.

AVIS: Ce moteur a été expédié de chez Briggs & Stratton sans huile. Avant de le démarrer, s'assurer d'avoir fait le plein d'huile selon les instructions de ce manuel. Si le moteur est démarré sans huile, il sera endommagé irrémédiablement et ne sera pas couvert par la garantie.

Remarque: Certains moteurs et équipements disposent de commandes à distance. Consulter le manuel de l'équipement concernant l'emplacement et le fonctionnement de ces commandes.

1. Vérifier le niveau d'huile. Voir la section **Vérification/Plein d'huile**.
2. Le cas échéant, s'assurer que l'entraînement de l'équipement est débrayé.
3. Placer le robinet d'essence (A), le cas échéant, sur la position ON (Figure 4).
4. Déplacer la commande d'accélération (B) sur la position FAST . Faire fonctionner l'équipement en position FAST .
5. Placer la commande du starter (C), ou la combinaison starter/levier d'accélérateur, sur la position STARTER .

Remarque: Le starter est généralement superflu pour redémarrer un moteur chaud.

6. **Lanceur:** Tourner le contacteur à clé (D) sur la position RUN.
7. **Lanceur:** Prendre en main la poignée du lanceur (E). Tirer lentement sur la corde jusqu'à sentir une résistance, puis tirer rapidement.

Remarque: Si le moteur ne démarre pas après plusieurs tentatives, consulter le site **BRIGGSandSTRATTON.COM** ou appeler le **1-800-233-3723** (aux États-Unis).



AVERTISSEMENT:

La rétraction rapide de la corde de lanceur (retour brutal) tirera la main et le bras de l'opérateur vers le moteur beaucoup plus vite qu'il ne pourra les laisser partir. Ceci pourrait entraîner des fêlures, des fractures, des ecchymoses ou des foulures. Pour démarrer le moteur, tirer lentement sur la corde jusqu'à sentir une résistance et tirer alors rapidement afin d'éviter l'effet de rétraction.

8. **Démarrateur électrique:** Mettre le contact du démarreur électrique (D) sur la position ON/START. Voir le manuel de l'équipement pour connaître la position et le fonctionnement du contacteur.
Remarque: Si le moteur ne démarre pas après plusieurs tentatives, consulter le site **BRIGGSandSTRATTON.COM** ou appeler le **1-800-233-3723** (aux États-Unis).
AVIS: Pour préserver l'usage du démarreur, ne l'utiliser que pendant des cycles courts (cinq secondes maximum). Attendre une minute avant de recommencer.
9. Au fur et à mesure du réchauffement du moteur, ramener le starter (C) sur la position RUN .

Arrêt du moteur - Figure 4



AVERTISSEMENT



L'essence et les vapeurs d'essence sont extrêmement inflammables et explosives.



Un incendie ou une explosion peut entraîner des blessures très graves ou même la mort.

- Ne pas actionner le starter pour arrêter le moteur.

1. Avec la commande d'accélération réglée sur la position FAST , tourner le contacteur à clé (D) sur la position OFF (Figure 4).
2. Quand le moteur est arrêté, placer le robinet d'essence (si équipé) (A) en position fermée.

Entretien

N'utiliser que des pièces de rechange d'origine. Les pièces de rechange autres que celles d'origine peuvent ne pas fonctionner aussi bien, risquent d'endommager l'appareil et peuvent entraîner des blessures. En outre, l'utilisation de pièces de rechange non d'origine peut annuler la garantie.

Nous recommandons de voir un Réparateur Agréé Briggs & Stratton pour tout l'entretien du moteur et l'acquisition de pièces.

AVIS: Tous les composants de ce moteur doivent rester à leur place d'origine pour que le moteur fonctionne correctement.

Contrôle des émissions

L'entretien, le remplacement ou la réparation des dispositifs et des systèmes de contrôle des émissions gazeuses peut être effectué par tout établissement ou individu spécialisé dans la réparation des moteurs autres que les moteurs automobiles. Néanmoins, pour que les réparations soient prises en charge par Briggs & Stratton au titre de la garantie, l'intervention doit être effectuée par un Réparateur Agréé. Voir la garantie des émissions.



AVERTISSEMENT



Une étincelle accidentelle peut provoquer un incendie ou un choc électrique.



Un démarrage accidentel peut causer un étranglement, l'amputation ou la lacération d'un membre.



Risque d'incendie

Avant d'effectuer des réglages ou des réparations

- Débrancher le fil de bougie et l'attacher à bonne distance de la bougie.
- Débrancher le câble Négatif de la batterie (seulement pour les moteurs à démarrage électrique).
- N'utiliser que les outils corrects.
- Ne pas modifier les ressorts du régulateur, les tringles et autres pièces pour augmenter le régime du moteur.
- Les pièces de rechange doivent être d'origine et installées de la même façon que les pièces précédentes.
- Ne pas taper sur le volant moteur avec un marteau ou un objet dur cela pourrait entraîner une rupture ultérieure du volant pendant que le moteur fonctionne.

Contrôle de l'étincelle

- Utiliser un contrôleur homologué.
- Ne pas contrôler l'étincelle avec la bougie retirée.

Tableau d'entretien

Après les 5 premières heures
<ul style="list-style-type: none"> • Vidanger l'huile
Toutes les 8 heures ou chaque jour
<ul style="list-style-type: none"> • Vérifier le niveau d'huile du moteur. • Nettoyer aux alentours du silencieux et des commandes • Nettoyer le protège-mains (le cas échéant)
Toutes les 25 heures ou une fois par an
<ul style="list-style-type: none"> • Nettoyer le filtre à air * • Nettoyer le pré-filtre du filtre à air *
Toutes les 50 heures ou une fois par an
<ul style="list-style-type: none"> • Vidanger l'huile moteur • Remplacer le filtre à huile, Si il est prévu. • Inspecter le silencieux d'échappement et l'écran pare-étincelles
Une fois par an
<ul style="list-style-type: none"> • Remplacer le filtre à air • Remplacer le pré-filtre • Remplacer la bougie • Nettoyer le système de refroidissement par air * • Remplacer le filtre à carburant • Contrôler le jeu des soupapes *

* Nettoyer plus souvent dans des conditions d'utilisation en atmosphère poussiéreuse ou chargée de débris aériens.

** Non obligatoire si les performances du moteur ne sont pas altérées.

Réglage du carburateur

Ne pas procéder à des réglages inutiles du carburateur. Il a été réglé en usine pour fonctionner efficacement dans la plupart des applications. Néanmoins, si des réglages sont nécessaires, les confier à un Réparateur Agréé Briggs & Stratton.

AVIS: Le fabricant de l'équipement sur lequel est monté ce moteur a spécifié le régime maximum à vide d'utilisation du moteur. **Ne pas dépasser** ce régime maximum.

Remplacement de la bougie - Figure 5

Vérifier l'écartement des électrodes (A, Figure 5) avec une jauge à fil (B). Le cas échéant, régler l'écartement. Remettre la bougie et la serrer au couple recommandé. Pour régler l'écartement et trouver le couple de serrage, voir la section **Spécifications**.

Remarque: Dans certains pays, la législation impose l'emploi de bougies à résistance pour supprimer les parasites de l'allumage. Si ce moteur était équipé d'une bougie avec résistance, utiliser le même type de bougie lors de son remplacement.

Inspection du silencieux d'échappement et de l'écran pare-étincelles - Figure 6



AVERTISSEMENT



Un moteur en marche produit de la chaleur. Les pièces du moteur, et plus particulièrement le silencieux, deviennent extrêmement chaudes. Les toucher peut provoquer des brûlures sévères.



Les débris combustibles comme les feuilles, l'herbe, les broussailles peuvent s'enflammer.

- Laisser le silencieux, le cylindre du moteur et les ailettes refroidir avant de les toucher.
- Retirer les débris accumulés autour du silencieux et du cylindre.
- La Section 4442 du California Public Resource Code (Code des ressources publiques de Californie) interdit l'utilisation ou le fonctionnement du moteur dans des espaces recouverts de forêts, de broussailles ou d'herbe sauf si le système d'échappement est équipé d'un pare-étincelles, tel que défini dans la Section 4442, en bon état de fonctionnement. D'autres états ou juridictions fédérales peuvent appliquer des lois similaires. Contacter le fabricant, le distributeur ou le fournisseur d'origine de l'équipement pour obtenir un pare-étincelles conçu pour le système d'échappement installé sur ce moteur.

Inspecter le silencieux (A, Figure 6) à la recherche de fissures, de corrosion ou autre dommage. Enlever le pare-étincelles (B), le cas échéant, et inspecter s'il est endommagé ou obstrué par des dépôts de carbone. S'il est nécessaire de remplacer des pièces, n'utiliser que des pièces de rechange d'origine.



AVERTISSEMENT: Les pièces de rechange doivent être d'origine et installées de la même façon que les pièces précédentes, sous peine de provoquer un incendie.

Changement d'huile - Figure 7 8 9 10

L'huile usagée est un produit dangereux. S'en débarrasser correctement. Ne pas la jeter avec les ordures ménagères. Vérifier le lieu de collecte ou de recyclage avec les autorités locales, le/centre de services ou le vendeur.

Vidange de l'huile

1. Quand le moteur est arrêté mais encore chaud, débrancher le fil de bougie (A) et l'éloigner de la bougie (Figure 7).
2. Retirer la jauge (D).

Bouchon de vidange standard

1. Retirer le bouchon de vidange (B, Figure 8). Vidanger l'huile dans un récipient approuvé.
Remarque: Chacun des bouchons de vidange illustrés ci-après peut être monté sur ce moteur.



2. Quand l'huile a été vidangée, remettre le bouchon de vidange. Le serrer.

Vidange d'huile rapide optionnelle

1. Débrancher le tuyau de vidange d'huile (G, Figure 9) sur le côté du moteur.
2. Dévisser et retirer le bouchon de vidange (H). Abaisser soigneusement la vidange rapide (I) dans un conteneur homologué (J).
3. Quand toute l'huile a été vidangée, remettre le bouchon de vidange en place. Rebrancher le tuyau de vidange sur le côté du moteur.

Changer le filtre à huile (le cas échéant)

Certains modèles sont équipés d'un filtre à huile. Pour connaître les intervalles de maintenance, se reporter au **Tableau d'entretien**.

1. Vidanger l'huile du moteur. Voir la section **Vidange de l'huile**.
2. Enlever le filtre à huile (C) et le jeter correctement. Voir Figure 10.
3. Avant d'installer le nouveau filtre à huile, lubrifier légèrement le joint du filtre avec de l'huile neuve.
4. Installer le filtre à huile à la main jusqu'à ce que le joint soit au contact de l'adaptateur du filtre puis visser le filtre de 1/2 à 3/4 tours.
5. Ajouter de l'huile. Voir la section **Faire le plein d'huile**.
6. Démarrer puis faire tourner le moteur. Lorsque le moteur chauffe, détecter les éventuelles fuites d'huile.
7. Arrêter le moteur et vérifier le niveau d'huile. L'huile doit être au ras de l'indicateur de niveau maximum (F) de la jauge (Figure 7).

Faire le plein d'huile

- Mettre le moteur de niveau.
 - Nettoyer le pourtour de l'orifice de remplissage de tout débris.
 - Voir la capacité d'huile dans la section **Spécifications**.
1. Sortir la jauge (D) et nettoyer avec un chiffon propre (Figure 7).
 2. Verser doucement l'huile dans l'orifice de remplissage (E). **Ne pas trop remplir.** Après avoir fait le plein d'huile, attendre une minute et revérifier le niveau d'huile.
Remarque: Ne pas ajouter d'huile au niveau de la vidange d'huile rapide (I) (le cas échéant).

3. Installer et serrer la jauge.
4. Retirer la jauge et vérifier le niveau. L'huile doit être au ras de l'indicateur de niveau maximum (F) de la jauge.
5. Installer et serrer la jauge.

Entretien du filtre à air - Figure 11



AVERTISSEMENT



L'essence et les vapeurs d'essence sont extrêmement inflammables et explosives.



Un incendie ou une explosion peut entraîner des blessures très graves ou même la mort.

- Ne pas démarrer ou faire fonctionner un moteur sans filtre à air ou avec le filtre à air enlevé.

AVIS: Ne pas utiliser d'air comprimé ni de solvant pour nettoyer le filtre à air. L'air comprimé peut endommager le filtre, les solvants le dissoudre.

Le système de filtre à air est équipé d'une cartouche plate ou ovale. Certains modèles sont également équipés d'un pré-filtre qui peut être lavé et réutilisé.

Filtre à air plat

1. Soulever la poignée du couvercle (A, Figure 11) et la faire tourner vers le moteur puis enlever le couvercle (B).
2. Enlever l'éventuel pré-filtre (C) et le filtre (D).
3. Pour le nettoyer, le tapoter doucement contre une surface dure. Si le filtre est excessivement encrassé, le remplacer par un neuf.
4. Nettoyer le pré-filtre dans de l'eau additionnée de détergent liquide. **Ne pas graisser** le pré-filtre.
5. Assembler le pré-filtre et le filtre sur l'embase du moteur (E).
6. Aligner les taquets (F) du couvercle avec les encoches (G) du carter de lanceur. Faire tourner la poignée du couvercle vers l'arrière et pousser pour bloquer en position.

Remplacement du filtre à essence - Figure 12



AVERTISSEMENT



L'essence et les vapeurs d'essence sont extrêmement inflammables et explosives.



Un incendie ou une explosion peut entraîner des blessures très graves ou même la mort.

- Veiller à tenir l'essence, ainsi que les vapeurs qui en émanent, à l'écart des étincelles, des flammes nues, des veilleuses, de la chaleur et de toute autre source d'ignition.
- Contrôler que les Durits, le réservoir, le bouchon et les raccords de carburant ne présentent ni fissures ni fuites. Remplacer si nécessaire.
- Avant de remplacer le filtre à essence, vidanger le réservoir d'essence ou fermer le robinet d'essence.
- Les pièces de rechange doivent être d'origine et installées de la même façon que les pièces précédentes.
- Si du carburant a été renversé, attendre son évaporation complète avant de démarrer le moteur.

1. Avant de remplacer le filtre à carburant (A, Figure 12), s'il existe, vidanger le réservoir de carburant ou fermer le robinet d'essence. Dans le cas contraire, le carburant risque de couler et provoquer un incendie ou une explosion.
2. Utiliser des pinces pour serrer les languettes (B) sur les colliers (C) puis retirer les colliers du filtre à carburant. Tourner puis ôter les Durits (D) du filtre à carburant.
3. Vérifier que les Durits ne présentent ni fissures ni fuites. Les remplacer si nécessaire.
4. Remplacer le filtre à carburant par un filtre d'origine.
5. Fixer les Durits avec les colliers comme indiqué.

Nettoyage du système de refroidissement par air - Figure 13



AVERTISSEMENT



Un moteur en marche produit de la chaleur. Les pièces du moteur, et plus particulièrement le silencieux, deviennent extrêmement chaudes. Les toucher peut provoquer des brûlures sévères.



Les débris combustibles comme les feuilles, l'herbe, les broussailles peuvent s'enflammer.

- Laisser le silencieux, le cylindre du moteur et les ailettes refroidir avant de les toucher.
- Retirer les débris accumulés autour du silencieux et du cylindre.

AVIS: Ne pas utiliser d'eau pour nettoyer le moteur. L'eau peut contaminer le système d'alimentation en essence. Utiliser une brosse ou un chiffon sec pour nettoyer le moteur. Ce moteur est refroidi par air. De la poussière ou des débris peuvent affecter le débit d'air et faire chauffer le moteur, ce qui réduit ses performances et sa durée de vie.

Utiliser une brosse ou un chiffon sec pour enlever les débris du protège-doigts/grille de volant (A). Nettoyer les biellettes, les ressorts et les commandes (B). Ne pas laisser les débris combustibles s'accumuler autour et derrière le silencieux d'échappement (C) (Figure 13).

Stockage



AVERTISSEMENT



L'essence et les vapeurs d'essence sont extrêmement inflammables et explosives.



Un incendie ou une explosion peut entraîner des blessures très graves ou même la mort.

Pour stocker de l'essence ou l'équipement avec un réservoir plein

- Les ranger loin des chaudières, cuisinières, chauffe-eau ou tout autre appareil comportant une veilleuse ou une source susceptible de produire une étincelle, car ils pourraient enflammer les vapeurs d'essence.

Système d'alimentation

L'essence peut s'éventer quand on la stocke pendant plus de 30 jours. De l'essence éventée provoque des dépôts d'acide et de gomme dans le système d'alimentation et sur les principales pièces du carburateur. Pour maintenir l'essence en état, utiliser le stabilisateur d'essence FRESH START® de Briggs & Stratton, disponible sous forme d'additif liquide ou de cartouche de concentré (USA et Canada seulement) à écoulement progressif.

Il n'est pas nécessaire de vidanger l'essence du moteur si un stabilisateur est ajouté conformément aux instructions. Faire fonctionner le moteur pendant 2 minutes pour faire circuler le stabilisateur dans le système d'alimentation. Le moteur et l'essence peuvent alors être stockés pendant une durée maximale de 24 mois.

Si l'essence n'a pas été traitée avec un stabilisateur, elle doit être vidangée dans un récipient approuvé. Faire fonctionner le moteur jusqu'à ce qu'il s'arrête en panne sèche. L'utilisation d'un stabilisateur d'essence dans le réservoir de stockage est recommandée pour en conserver la fraîcheur.

Huile moteur

Pendant que le moteur est encore chaud, changer l'huile du moteur. Voir la section **Changement d'huile**.

Dépannage

Besoin d'aide? Aller sur BRIGGSandSTRATTON.COM ou appeler au 1-800-233-3723.

Spécifications

Spécifications du moteur	
Modèle	210000
Cylindrée	21,01 ci (344 cc)
Alésage	3,437 in (87,30 mm)
Course	2,264 in (57,51 mm)
Capacité d'huile - sans filtre	42 - 44 oz (1,24 - 1,30 l)
Capacité d'huile - avec filtre	46 - 48 oz (1,36 - 1,40 l)

Spécifications du moteur	
Modèle	310000
Cylindrée	30,59 ci (501 cc)
Alésage	3,563 in (90,49 mm)
Course	3,062 in (77,77 mm)
Capacité d'huile - sans filtre	42 - 44 oz (1,24 - 1,30 l)
Capacité d'huile - avec filtre	46 - 48 oz (1,36 - 1,40 l)

Spécifications de réglage *	
Modèle	210000, 310000
Écartement des électrodes	0,030 in (0,76 mm)
Couple de serrage de la bougie	180 lb-in (20 Nm)
Entrefer bobine	0,010 - 0,014 in (0,25 - 0,36 mm)
Jeu de soupape d'admission	0,003 - 0,005 in (0,08 - 0,13 mm)
Jeu de soupape d'échappement	0,005 - 0,007 in (0,13 - 0,18 mm)

* La puissance du moteur décroît de 3,5% par 300mètres d'altitude au-dessus du niveau de la mer et de 1% par 5,6° C au-delà de 25° C. Le moteur fonctionne normalement jusqu'à 15° d'inclinaison. Voir le manuel d'utilisation de l'équipement pour les limites autorisées de fonctionnement en pente.

Pièces d'entretien courant ✓	
Pièce d'entretien	Référence
Modèle: 210000	
Filtre à air, plat	698413, 5079
Pré-filtre du filtre à air, plat	697292, 5079
Huile - SAE 30 (20 oz, 0,6 l)	100005
Huile - SAE 30 (48 oz, 1,4 l)	100028
Filtre à huile	492932, 5049
Additif pour l'essence	5041, 5058
Filtre à carburant - moteurs sans pompe à carburant	394358, 5098
Filtre à carburant - moteurs avec pompe à carburant	691035, 5065
Bougie à résistance	491055
Bougie en platine longue durée	5066
Clé à bougie	89838, 5023
Éclateur	19368
Modèle: 310000	
Filtre à air, plat	698083, 5077
Pré-filtre du filtre à air, plat	697015, 5077
Filtre à air, plat lavable	697153, 5078
Huile - SAE 30 (20 oz, 0,6 l)	100005
Huile - SAE 30 (48 oz, 1,4 l)	100028
Filtre à huile	492932, 5049
Additif pour l'essence	5041, 5058
Filtre à carburant - moteurs sans pompe à carburant	394358, 5098
Filtre à carburant - moteurs avec pompe à carburant	691035, 5065
Bougie à résistance	491055
Bougie en platine longue durée	5066
Clé à bougie	89838, 5023
Éclateur	19368

✓ Nous recommandons de voir un Réparateur Agréé Briggs & Stratton pour tout l'entretien de votre moteur et de ses pièces. N'utiliser que des pièces de rechange Briggs & Stratton d'origine.

GARANTIE LIMITÉE

Briggs & Stratton remplacera ou réparera gratuitement toute(s) pièce(s) du moteur présentant un défaut de matière ou de fabrication ou les deux. Tous les frais de transport du produit destiné à être remplacé ou réparé au titre de la présente garantie restent à charge de l'acheteur. Cette garantie est applicable pendant la période et aux conditions prévues dans le présent document. Pour toute intervention sous garantie, cherchez le Réparateur Agréé Briggs & Stratton le plus proche dans la liste des Réparateurs sur notre site Internet BRIGGSandSTRATTON.COM ou en consultant les Pages Jaunes.

Il n'existe aucune autre garantie expresse. Les garanties implicites, y compris celles de la valeur marchande et d'adaptation à un objectif particulier, sont limitées à un an à partir de la date d'achat ou à la période légale admise. Toute autre garantie implicite est exclue. Notre responsabilité pour les dégâts provoqués par l'équipement ou les dommages-intérêts accessoires est exclue dans la limite des exclusions autorisées par la loi. Certains pays ou États n'autorisent pas la limitation de la durée de la garantie implicite et certains pays ou États n'autorisent pas l'exclusion ou la limitation des dégâts provoqués ou consécutifs à un accident, ce qui fait que les limitation et exclusion ci-dessus peuvent ne pas s'appliquer à vous. Cette garantie vous donne des droits légaux et vous pouvez bénéficier d'autres droits qui peuvent varier d'un pays à l'autre ou d'un État à l'autre.

CONDITIONS DE GARANTIE STANDARD * ▲

Marque/Type de produit	Usage privé	Usage professionnel
Vanguard™	2 ans	2 ans
Extended Life Series™ ; I/C®; Intek™ I/C®; Intek™ Pro; Professional Series™ avec chemise en fonte Dura-Bore™ ; 850 Series™ avec chemise en fonte Dura-Bore™ ; Snow Series MAX™ avec chemise en fonte Dura-Bore™	2 ans	1 an
Tous les autres moteurs Briggs & Stratton	2 ans	90 jours

* Ces conditions sont nos conditions de garantie standard. Néanmoins, dans certains cas, nos produits peuvent bénéficier d'une couverture supplémentaire qui n'était pas déterminée au moment de la publication. Pour consulter les conditions de garantie actuelles de votre moteur, rendez-vous sur BRIGGSandSTRATTON.COM ou contactez le Réparateur Agréé Briggs & Stratton.

▲ Les moteurs utilisés sur les groupes électrogènes stationnaires ne sont garantis que dans le cadre d'un usage privé. Les équipements utilisés pour une alimentation principale en remplacement du réseau public d'électricité ne sont pas couverts par la présente garantie. **Les moteurs utilisés en compétition ou avec un but d'exploitation commerciale ou de location ne sont pas garantis.**

La période de garantie débute à la date d'achat par l'acheteur particulier initial ou l'utilisateur professionnel final et continue pendant la période indiquée dans le tableau ci-dessus. «Usage privé» signifie utilisation pour l'entretien de sa résidence personnelle par un acheteur particulier. «Usage commercial» couvre toutes les autres utilisations, y compris dans un but commercial, de rentabilité ou de location. Dès qu'un moteur a servi à un usage commercial, il sera considéré comme moteur à usage commercial dans le cadre de la présente garantie.

Pour tous les équipements fabriqués par Briggs & Stratton, l'enregistrement de la garantie n'est pas obligatoire pour qu'elle prenne effet. Conservez le reçu comme preuve d'achat. Si, lors d'une demande d'intervention sous garantie, la date initiale d'achat ne peut être fournie, la date de fabrication du produit sert de référence pour déterminer la période de garantie.

Au sujet de la garantie

Briggs & Stratton se fera un plaisir d'effectuer une réparation en garantie tout en déplorant les inconvénients qu'elle peut vous occasionner. Tout Réparateur Agréé peut effectuer des réparations en garantie. La plupart des réparations en garantie sont effectuées sans discussion mais il peut arriver que la demande de réparation en garantie soit injustifiée.

Si le client n'est pas d'accord avec la décision d'un Réparateur Agréé, une enquête sera effectuée afin de déterminer si la garantie peut être appliquée. Demandez au Réparateur Agréé de soumettre tous les faits au Grossiste ou à l'usine pour examen. Si le Grossiste ou l'usine décide que la demande est justifiée, les articles reconnus défectueux seront intégralement remboursés au client. Afin d'éviter tout malentendu entre les propriétaires de moteurs et les Réparateurs Agréés Briggs & Stratton, nous indiquons ci-après quelques-unes des causes de défaillance des moteurs pour lesquelles le remplacement ou la réparation n'est pas couvert par la garantie.

Usure normale: Les moteurs, comme tous les dispositifs mécanisés, nécessitent un entretien régulier et le remplacement des pièces d'usure pour fonctionner correctement. Cette garantie ne couvre pas la réparation de pièces ou d'équipements usés par un usage normal. La garantie ne s'applique pas quand la défaillance du moteur est due à un abus, un manque d'entretien courant, l'expédition, la manutention, l'entreposage ou une mauvaise installation. Il en va de même si le numéro de série du moteur a été éliminé ou que le moteur a été modifié ou trafiqué.

Entretien inadéquat: La longévité d'un moteur dépend des conditions dans lesquelles il est utilisé et de l'entretien qu'il reçoit. Certaines applications, comme les motoculteurs, les pompes et les tondeuses, sont souvent utilisées dans un environnement poussiéreux ou sale, ce qui peut être la cause d'une usure pouvant paraître prématurée. Une telle usure, lorsqu'elle est consécutive à l'entrée de poussière, sable ou autre produit abrasif à cause d'un mauvais entretien, n'est pas couverte par la garantie.

Cette garantie couvre uniquement les pièces défectueuses et/ou la main-d'œuvre et pas le remplacement ou le remboursement de l'équipement sur lequel est monté le moteur. La garantie ne s'applique pas non plus aux réparations dues à :

- 1 Des problèmes provoqués par l'emploi de pièces non d'origine Briggs & Stratton.
- 2 Les commandes de l'équipement ou les dispositifs qui empêchent le démarrage, perturbent le fonctionnement du moteur ou abrègent sa durée de vie. (Contactez le fabricant de l'équipement.)

- 3 Les fuites de carburateur, l'obstruction des Durits d'alimentation, le gommage des soupapes ou autres dommages provoqués par une essence contaminée ou trop vieille.
- 4 Les pièces qui seraient rayées ou cassées du fait du fonctionnement du moteur avec un manque d'huile ou d'une huile polluée, ou encore d'un indice de viscosité de l'huile inadéquat (vérifier et refaire le niveau quand c'est nécessaire et vidanger aux périodes recommandées). Le dispositif OIL GARD peut ne pas couper un moteur en marche. Le moteur peut être endommagé si le niveau d'huile n'est pas maintenu régulièrement.
- 5 La réparation ou le réglage de pièces ou d'un groupe de pièces associées tels que les embrayages, transmissions, commandes à distance, etc., qui ne sont pas fabriqués par Briggs & Stratton.
- 6 Les dommages ou l'usure de pièces provoqués par la pénétration de poussière due au manque d'entretien ou au mauvais montage du filtre à air ou à l'emploi d'un élément ou d'une cartouche de filtre à air non d'origine. Aux intervalles recommandés, nettoyer et/ou remplacer le filtre comme indiqué dans le manuel d'utilisation.
- 7 Les pièces endommagées suite à un sursrégime ou une surchauffe provoqués par l'obstruction des ailettes de refroidissement et de la zone du volant par des débris d'herbe ou de la poussière ou par l'utilisation du moteur dans un local fermé insuffisamment ventilé. Nettoyer les débris aux intervalles recommandés comme indiqué dans le manuel d'utilisation.
- 8 Le bris de pièces du moteur ou de l'équipement dû à des vibrations excessives résultant d'un serrage insuffisant des boulons de fixation du moteur, d'une lame ou d'une turbine desserrée ou mal équilibrée, d'une mauvaise adaptation de l'équipement sur le vilebrequin du moteur, d'un sursrégime ou d'une mauvaise utilisation.
- 9 Vilebrequin faussé ou cassé suite au choc de la lame d'une tondeuse rotative sur un corps dur, ou d'une courroie trapézoïdale trop tendue.
- 10 Réglage ou mise au point normale du moteur.
- 11 La défaillance du moteur ou des pièces du moteur, telles que chambre de combustion, soupapes, sièges de soupape, guides de soupape ou bobinage du démarreur grillés, suite à l'emploi de carburants de substitution tels que du pétrole liquéfié, du gaz naturel ou des essences modifiées, etc.

Les interventions sous garantie ne sont effectuées que par les Réparateurs Agréés par Briggs & Stratton Corporation. Recherchez-les dans la liste des Réparateurs sur notre site Internet BRIGGSandSTRATTON.COM ou en consultant les Pages Jaunes.

Déclaration de garantie du système de contrôle des émissions de l'État de Californie, de l'U.S. EPA et de Briggs & Stratton Corporation Droits et obligations du propriétaire au titre de la garantie

Le California Air Resources Board (CARB), l'U.S. EPA et Briggs & Stratton (B&S) ont le plaisir de vous expliquer la garantie du système de contrôle des émissions pour votre moteur/équipement fabriqué depuis 2008. En Californie, les petits moteurs neufs à usage non routier doivent être conçus, fabriqués et équipés pour répondre aux normes sévères anti-effet de serre de l'État. B&S doit garantir le système de contrôle des émissions de votre moteur/équipement pendant les durées indiquées ci-après, en supposant que le moteur neuf à usage non routier n'ait pas fait l'objet d'abus, de négligence ou d'un mauvais entretien.

Le système de contrôle des émissions peut comprendre des pièces comme le carburateur ou le système d'injection de carburant, le réservoir de carburant, le système d'allumage et le convertisseur catalytique. Des durites, des courroies, des connecteurs, des capteurs et d'autres assemblages impliqués dans les émissions peuvent aussi en faire partie.

Si la condition de garantie est remplie, B&S réparera gratuitement votre moteur/équipement y compris le diagnostic, les pièces et la main-d'œuvre.

Couverture de la garantie du fabricant:

Les petits moteurs à usage non routier sont garantis pendant une période de deux (2) ans. Si une pièce liée aux émissions de votre moteur/équipement est défectueuse, B&S la réparera ou la remplacera.

Dispositions de la garantie du système de contrôle des émissions de Briggs & Stratton

Suivent les dispositions particulières de la couverture de la garantie du système de contrôle des émissions. Elles viennent en complément de la garantie des moteurs B&S pour les moteurs non réglementés qui se trouve dans le manuel d'utilisation.

1. Pièces relatives au contrôle des émissions garanties

La couverture au titre de cette garantie ne s'étend qu'aux pièces énumérées ci-dessous (celles du système de contrôle des émissions) dans la mesure où ces pièces étaient présentes dans le moteur au moment de l'achat.

a. Système de dosage du carburant

- Système d'enrichissement pour démarrages à froid (starter)
- Carburateur et pièces internes
- Pompe à carburant
- Durit et raccords de carburant, colliers
- Réservoir de carburant, bouchon et câble d'attache
- Réservoir à charbon activé

b. Système d'admission d'air

- Filtre à air
- Collecteur d'admission
- Conduite de vidange et de mise à l'air

c. Système d'allumage

- Bougie(s)
- Système d'allumage par volant magnétique

d. Système catalytique

- Convertisseur catalytique
- Collecteur d'échappement
- Système d'injection d'air ou soupape d'impulsion

e. Pièces diverses utilisées dans les systèmes ci-dessus

- Soupapes et contacteurs de dépression, de température, de position et de durée
- Raccords et assemblages

2. Durée de la couverture

Pendant une période de deux (2) ans à compter de la date de l'achat initial, B&S garantit à l'acheteur initial et à chaque acheteur suivant que le moteur est conçu, fabriqué et équipé de manière à être en conformité avec toutes les réglementations applicables adoptées par l'Air Resources Board, qu'il est exempt de tout défaut de matière ou de construction susceptible d'entraîner la défaillance d'une pièce garantie et qu'il est matériellement identique en tous points au moteur décrit dans la demande de certification du fabricant. La période de garantie démarre à la date de l'achat initial du moteur.

Responsabilités du propriétaire au titre de la garantie:

- En tant que propriétaire d'un moteur/équipement, vous êtes responsable de l'entretien obligatoire mentionné dans le manuel d'utilisation. B&S recommande de conserver toutes les factures de maintenance de votre moteur/équipement mais B&S ne peut renier la garantie uniquement à cause de l'absence de factures ou parce que tous les entretiens n'ont pas été effectués en temps prévu.
- En tant que propriétaire d'un moteur/équipement, vous devez néanmoins savoir que B&S peut refuser d'appliquer la garantie si la défectuosité de votre moteur/équipement ou d'une partie de celui-ci est due à un abus, une négligence, un entretien non correct ou des modifications non approuvées.
- Vous avez la responsabilité de confier votre moteur/équipement à un centre de distribution, un Réparateur Agréé ou toute entité équivalente de B&S, selon la solution applicable, dès que le problème apparaît. Les réparations effectuées sous garantie doivent l'être en un temps raisonnable qui ne doit pas excéder trente (30) jours. Si vous avez des questions concernant vos droits et vos responsabilités au titre de la garantie, contactez B&S au (414) 259-5262.

La garantie sur les pièces liées aux émissions est comme suit:

- Toute pièce garantie dont le remplacement n'est pas prévu dans le cadre de la maintenance obligatoire indiquée dans le manuel d'utilisation fourni est garantie pendant la période susmentionnée. Si cette pièce se révélait être défectueuse au cours de la période de garantie, elle serait réparée ou remplacée par B&S sans aucun frais pour le propriétaire. La pièce ainsi réparée ou remplacée sera garantie pour la période restante.
 - Toute pièce garantie dont seule une inspection régulière est prévue dans le manuel d'utilisation fourni est garantie pendant la période susmentionnée. La pièce réparée ou remplacée dans le cadre de la garantie sera garantie pour la période restante.
 - Toute pièce garantie dont le remplacement est prévu dans le cadre de la maintenance obligatoire indiquée dans le manuel d'utilisation fourni est garantie pendant la période précédant le premier remplacement prévu de cette pièce. Si cette pièce se révélait être défectueuse avant le premier remplacement prévu, elle serait réparée ou remplacée par B&S sans aucun frais pour le propriétaire. La pièce ainsi réparée ou remplacée sera garantie pour la période restante précédant le premier remplacement prévu de ladite pièce.
 - Les pièces ajoutées ou modifiées qui ne sont pas exemptées par l'Air Resources Board ne peuvent être utilisées. L'utilisation par le propriétaire de pièces ajoutées ou modifiées non exemptées sera un motif de rejet de toute réclamation. Le fabricant ne peut en aucun cas être tenu de garantir les défaillances de pièces garanties dues à l'utilisation de pièces non exemptées ajoutées ou modifiées.
3. Couverture des conséquences

La présente couverture s'étend à la défaillance de tout composant du moteur due à la défaillance d'une pièce liée aux émissions garantie.

4. Réclamations et exclusions de garantie

Les réclamations sous garantie seront présentées selon les dispositions de la police de garantie des moteurs de B&S. La garantie ne couvre pas les défaillances de pièces liées aux émissions qui ne sont pas des pièces B&S d'origine ou les défaillances de pièces qui ont fait l'objet d'abus, de négligence ou d'un mauvais entretien ainsi qu'indiqué dans la police de garantie des moteurs de B&S. B&S n'est pas tenu de couvrir la garantie des défaillances des pièces liées aux émissions dues à l'utilisation de pièces rajoutées ou modifiées.

Consultez les informations sur la période de durabilité des émissions et l'indice d'air sur l'étiquette d'émissions du moteur

Les moteurs qui sont certifiés conformes à la norme d'émissions du California Air Resources Board (CARB) doivent afficher l'information concernant la période de durabilité des émissions et l'indice d'air. Cette information est indiquée sur les étiquettes apposées sur les moteurs par Briggs & Stratton. L'étiquette du moteur indique les informations de certification.

La **période de durabilité des émissions** indique le nombre d'heures d'utilisation normale pour lequel le moteur est certifié conforme aux normes d'émissions sous réserve d'un entretien approprié tel qu'indiqué dans le manuel d'utilisation et d'entretien. Les catégories suivantes sont utilisées:

Modéré:

le moteur est certifié conforme pour 125heures d'utilisation normale.

Intermédiaire:

le moteur est certifié conforme pour 250heures d'utilisation normale.

Étendu:

le moteur est certifié conforme pour 500heures d'utilisation normale. Par exemple, une tondeuse à conducteur marchant classique est utilisée 20 à 25heures par an. Par conséquent, la **période de durabilité des émissions** d'un moteur de catégorie **intermédiaire** équivaudrait à une douzaine d'années.

Les moteurs Briggs & Stratton sont certifiés conformes aux normes environnementales d'émissions de la United States Environmental Protection Agency (U.S. EPA) Phase 2. Pour les moteurs certifiés Phase 2, la période de conformité d'émissions mentionnée sur les étiquettes indique le nombre d'heures d'utilisation pour lequel le moteur est en conformité avec les normes fédérales.

Pour les moteurs de cylindrée inférieure à 225cm³.

Catégorie C = 125heures, catégorie B = 250heures et catégorie A = 500heures.

Pour les moteurs de plus de 225cm³.

Catégorie C = 250heures, catégorie B = 500heures et catégorie A = 1000heures.

Not for Reproduction

en Briggs & Stratton Engines Are Made Under One Or More Of The Following Patents: Design D-247,177 (Other Patents Pending)

es Los Motores Briggs & Stratton Son Fabricados Bajo Una O Más De Las Sigüientes Patentes: Diseño D-247.177 (Otras Patentes Pendientes)

fr Les moteurs Briggs & Stratton sont protégés par un ou plusieurs des brevets suivants: Conception D-247.177 (Demandes d'autres brevets introduites)

6,691,683	6,520,141	6,325,036	6,145,487	6,012,420	5,803,035	5,548,955	5,243,878	5,138,996	4,875,448	D 476,629
6,647,942	6,495,267	6,311,663	6,142,257	5,992,367	5,765,713	5,546,901	5,235,943	5,086,890	4,819,593	D 457,891
6,622,683	6,494,175	6,284,123	6,135,426	5,904,124	5,732,555	5,445,014	5,234,038	5,070,829	4,720,638	D 368,187
6,615,787	6,472,790	6,263,852	6,116,212	5,894,715	5,645,025	5,503,125	5,228,487	5,058,544	4,719,682	D 375,963
6,617,725	6,460,502	6,260,529	6,105,548	5,887,678	5,642,701	5,501,203	5,197,426	5,040,644	4,633,556	D 309,457
6,603,227	6,456,515	6,242,828	6,347,614	5,852,951	5,628,352	5,497,679	5,197,425	5,009,208	4,630,498	D 372,871
6,595,897	6,382,166	6,239,709	6,082,323	5,843,345	5,619,845	5,320,795	5,197,422	4,996,956	4,522,080	D 361,771
6,595,176	6,369,532	6,237,555	6,077,063	5,823,153	5,606,948	5,301,643	5,191,864	4,977,879	4,520,288	D 356,951
6,584,964	6,356,003	6,230,678	6,064,027	5,819,513	5,606,851	5,271,363	5,188,069	4,977,877	4,512,499	D 309,457
6,557,833	6,349,688	6,213,083	6,040,767	5,813,384	5,605,130	5,269,713	5,186,142	4,971,219	4,453,507	D 308,872
6,542,074	6,347,614	6,202,616	6,014,808	5,809,958	5,497,679	5,265,700	5,150,674	4,895,119	4,430,984	D 308,871



THE POWER WITHIN™

Not for Reproduction