



# Illustrated Parts List

## Model Series

# 31P900

TYPE NUMBERS  
0036 through 0671.

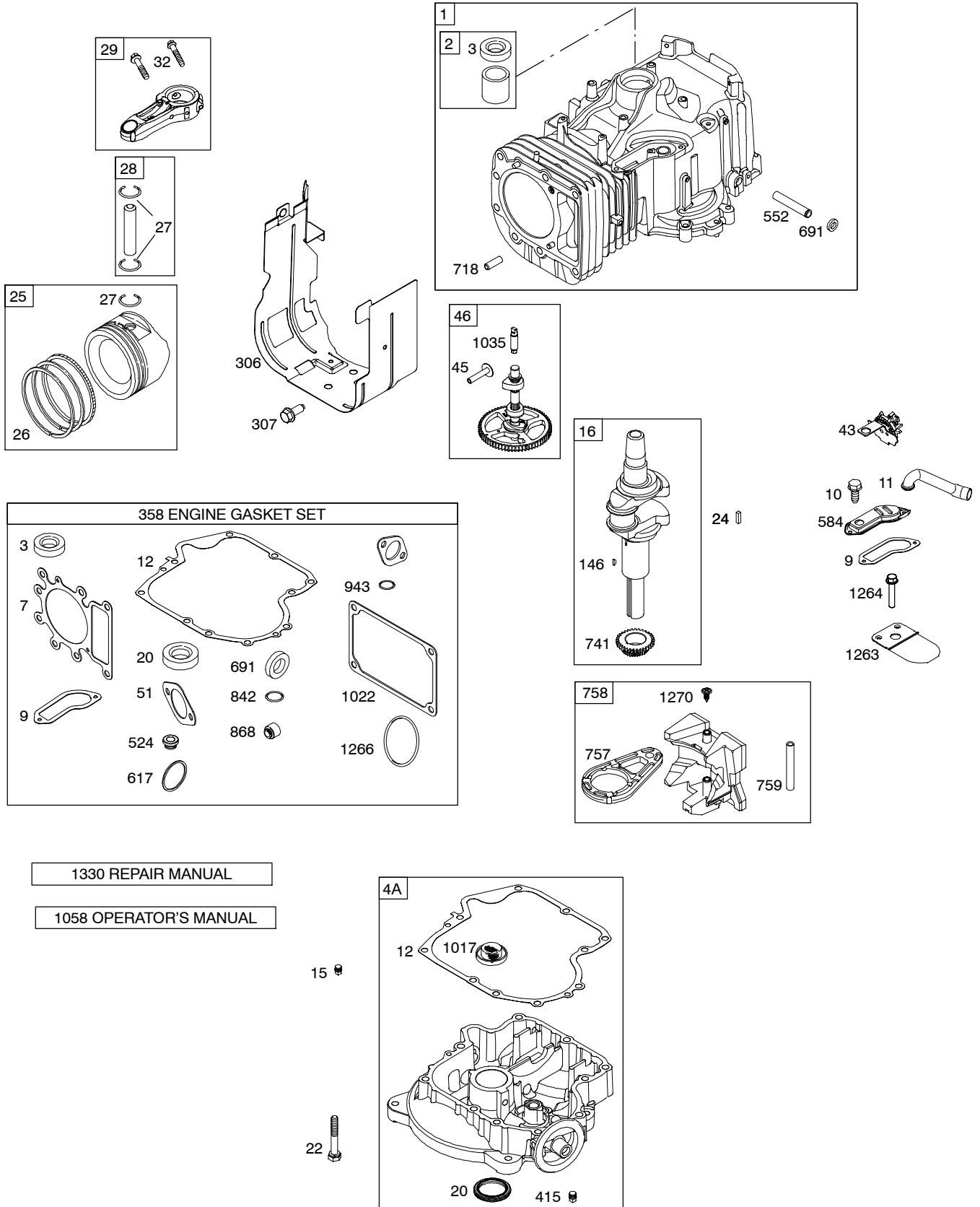
### TABLE OF CONTENTS

|  |   |
|--|---|
| <b>Air Cleaner</b> .....                     | 5 |
| <b>Alternator</b> .....                      | 7 |
| <b>Blower Housing</b> .....                  | 5 |
| <b>Camshaft</b> .....                        | 2 |
| <b>Carburetor</b> .....                      | 4 |
| <b>Controls</b> .....                        | 7 |
| <b>Crankshaft</b> .....                      | 2 |
| <b>Cylinder</b> .....                        | 2 |
| <b>Cylinder Head</b> .....                   | 3 |
| <b>Electric Starter</b> .....                | 7 |
| <b>Engine Sump</b> .....                     | 2 |
| <b>Flywheel</b> .....                        | 6 |
| <b>Fuel Supply</b> .....                     | 4 |
| <b>Gasket Set-Engine</b> .....               | 2 |
| <b>Gasket Set-Valve</b> .....                | 3 |
| <b>Governor Spring</b> .....                 | 7 |
| <b>Ignition</b> .....                        | 7 |
| <b>Intake Manifold</b> .....                 | 3 |
| <b>Kit-Carburetor Overhaul</b> .....         | 4 |
| <b>Lubrication</b> .....                     | 3 |
| <b>Piston, Rings, and Connecting Rod</b> ... | 2 |
| <b>Valves</b> .....                          | 3 |

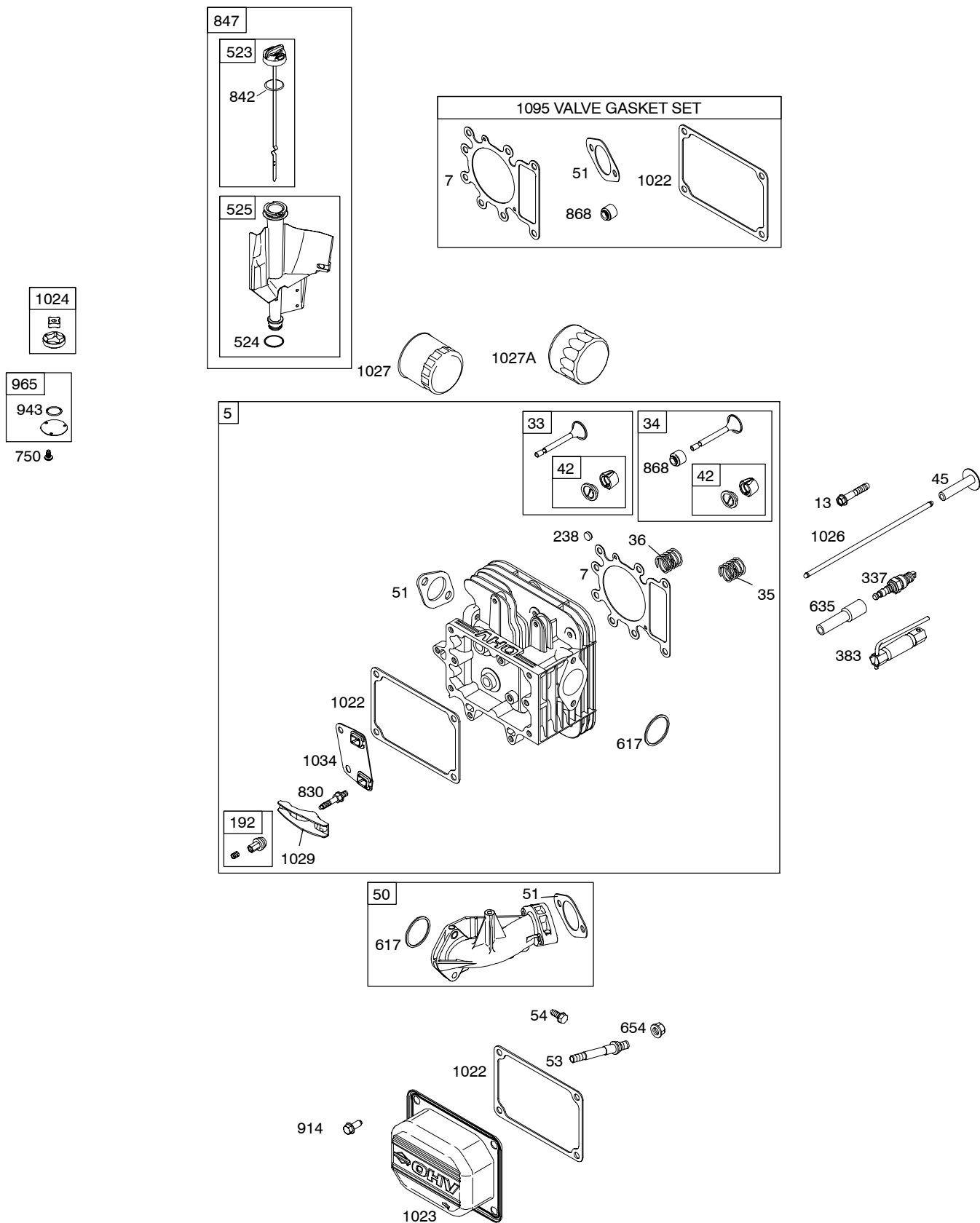
PRINTED IN U.S.A.



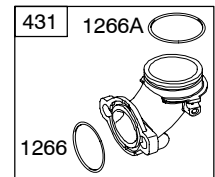
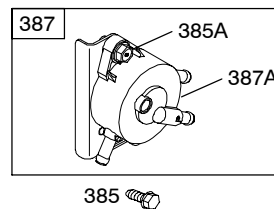
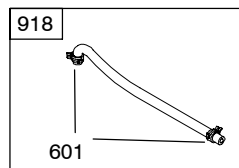
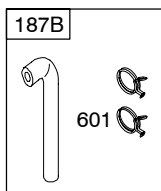
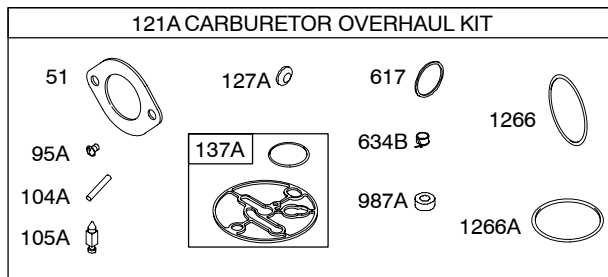
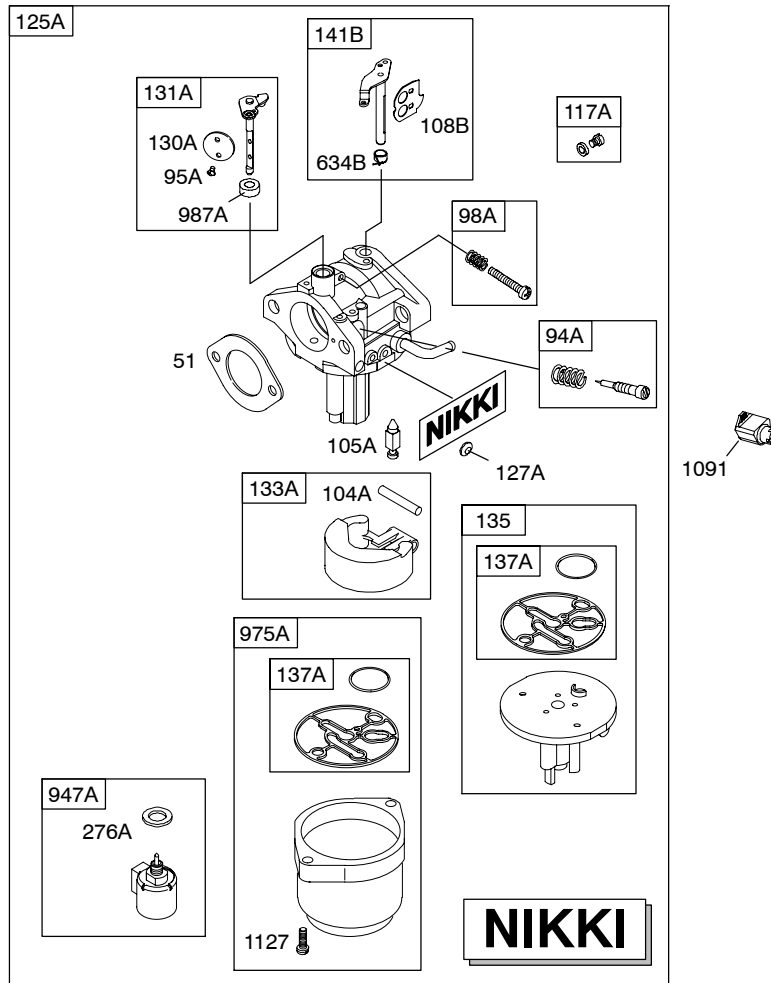
COPYRIGHT by BRIGGS & STRATTON CORPORATION  
All rights reserved. No part of this material may be reproduced or transmitted, in any form or by any means, electronic or mechanical, including photocopying, recording or by any information storage and retrieval system, without permission in writing from Briggs & Stratton Corporation.



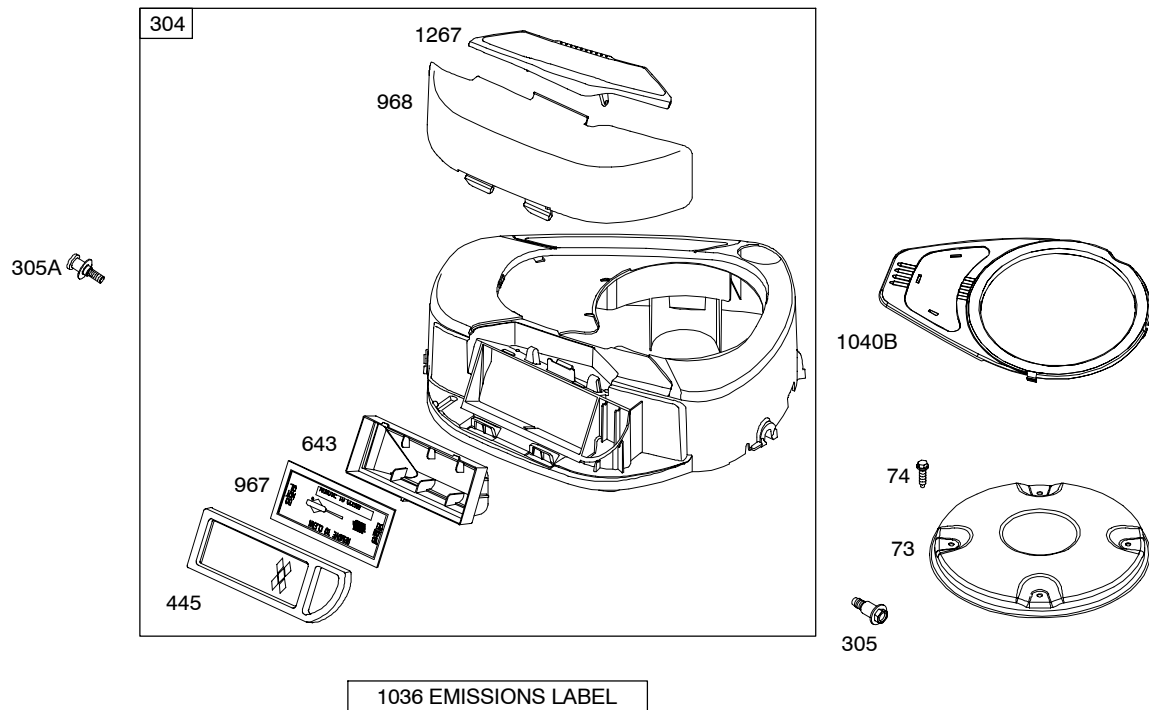
Illustrations cover a range of engines. Parts shown without corresponding text may not be used on your specific engine.



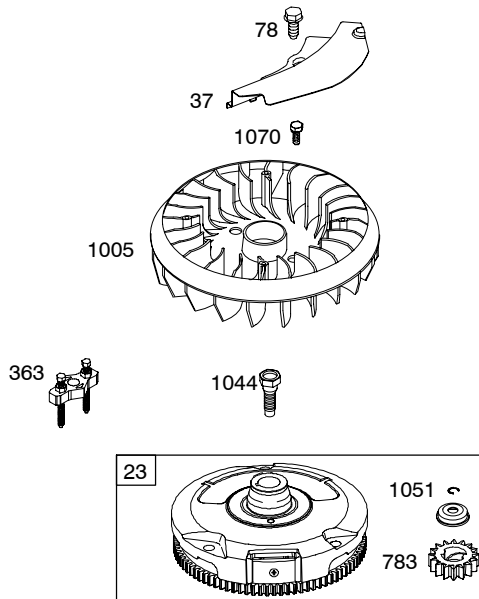
Illustrations cover a range of engines. Parts shown without corresponding text may not be used on your specific engine.



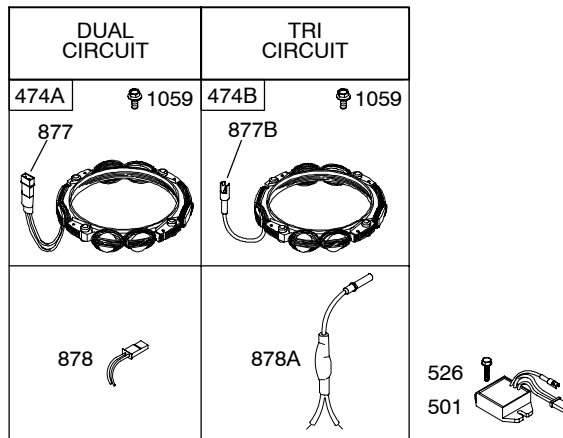
*Illustrations cover a range of engines. Parts shown without corresponding text may not be used on your specific engine.*



1036 EMISSIONS LABEL

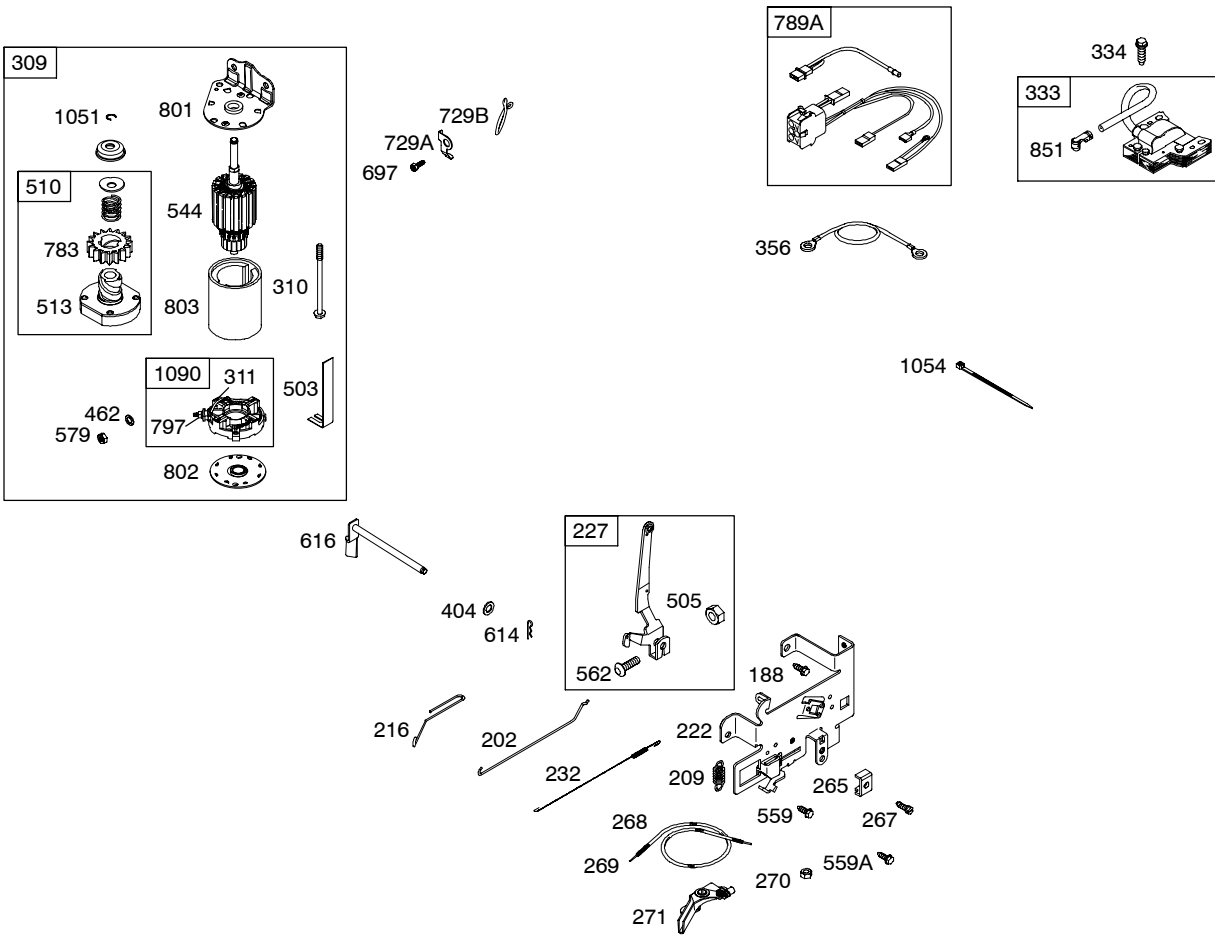


*Illustrations cover a range of engines. Parts shown without corresponding text may not be used on your specific engine.*



**NOTE:** All stators use a No. 1119 mounting screw.

**NOTE:** The proper flywheel part number and/or the alternator magnet size will determine the alternator type or output. See repair instruction manual for additional information.



# 31P900

| REF. NO. | PART NO. | DESCRIPTION   | REF. NO.    | PART NO.      | DESCRIPTION   | REF. NO. | PART NO.   | DESCRIPTION   |
|----------|----------|---|-------------|---------------|---|----------|------------|---|
| 1        | 697174   | Cylinder Assembly   | 29          | 791632        | Rod-Connecting<br>Used on Type No(s).<br>0036, 0670.    | 135      | 792022     | Tube-Fuel Transfer<br>Used on Type No(s).<br>0036, 0671.  |
| 2        | 399265   | Kit-Bushing/Seal<br>(Magneto Side)  |             |               | ----- <b>Note</b> -----                                 |          |            | ----- <b>Note</b> -----   |
| 3        | ★391086s | Seal-Oil<br>(Magneto Side)  |             |               | <b>791631</b> Rod-Connecting                            |          |            | <b>698780</b> Tube-Fuel Transfer  |
| 4A       | 697188   | Sump-Engine   |             |               | Used on Type No(s).<br>0449, 0575, 0635,<br>0652, 0671. |          |            | Used on Type No(s).<br>0449, 0575, 0635,<br>0652, 0670.   |
| 5        | 792770   | Head-Cylinder   | 32          | 791118        | Screw<br>(Connecting Rod)                               | 137A     | ●698781    | Gasket-Float Bowl   |
| 7        | ★△699168 | Gasket-Cylinder Head  | 33          | 791934        | Valve-Exhaust   | 141B     | 698778     | Kit-Choke Shaft   |
| 9        | ★697109  | Gasket-Breather   | 34          | 791935        | Valve-Intake  | 146      | 691639     | Key-Timing<br>Used on Type No(s).<br>0449, 0575, 0635,<br>0652, 0671.                                       |
| 10       | 697157   | Screw<br>(Breather Assembly)  | 35          | 691279        | Spring-Valve<br>(Intake)                                |          |            | ----- <b>Note</b> -----   |
| 11       | 697113   | Tube-Breather   | 36          | 691279        | Spring-Valve<br>(Exhaust)                               |          |            | <b>690979</b> Key-Timing<br>Used on Type No(s).<br>0036, 0670.  |
| 12       | ★697110  | Gasket-Crankcase<br>(.015" Thick)<br>(Standard)                                     | 37          | 697352        | Guard-Flywheel  | 187      | 791766     | Line-Fuel<br>(15 Inches Long)(Cut<br>To Required Length)  |
| 13       | 690360   | Screw<br>(Cylinder Head)  | 42          | 499586        | Keeper-Valve  | 187B     | 791805     | Line-Fuel<br>(Formed)(10-1/4<br>Inches Long)(Cut to<br>Required Length)                                     |
| 15       | 690946   | Plug-Oil Drain<br>(Square Head)   | 43          | 691968        | Slinger-Governor/Oil                                    | 188      | 691693     | Screw<br>(Control Bracket)  |
| 16       | 697516   | Crankshaft<br>Used on Type No(s).<br>0036, 0670.<br>----- <b>Note</b> -----         | 45          | 690564        | Tappet-Valve  | 192      | 691986     | Adjuster-Rocker Arm   |
|          |          | <b>697127</b> Crankshaft<br>Used on Type No(s).<br>0449, 0575, 0635,<br>0652, 0671. | 46          | 791942        | Camshaft  | 202      | 691841     | Link-Mechanical<br>Governor   |
| 20       | ★791892  | Seal-Oil<br>(PTO Side)  | 50          | 690193        | Manifold-Intake   | 209      | 692208     | Spring-Governor   |
| 22       | 692125   | Screw<br>(Crankcase<br>Cover/Sump)  | 51★△●692137 | Gasket-Intake | 216   | 691840   | Link-Choke |   |
| 23       | 693556   | Flywheel<br>Used on Type No(s).<br>0036, 0671.<br>----- <b>Note</b> -----           | 53          | 690227        | Stud<br>(Carburetor)                                    | 222      | 694042     | Bracket-Control   |
|          |          | <b>693557</b> Flywheel<br>Used on Type No(s).<br>0449, 0575, 0635,<br>0652, 0670.   | 54          | 691148        | Screw<br>(Intake Manifold)                              | 227      | 691374     | Lever-Governor<br>Control   |
| 24       | 222698s  | Key-Flywheel  | 73          | 697133        | Screen-Rotating   | 232      | 691842     | Spring-Governor Link  |
| 25       | 792507   | Piston Assembly<br>(Standard)<br>----- <b>Note</b> -----                            | 74          | 697897        | Screw<br>(Rotating Screen)                              | 238      | 691843     | Cap-Valve   |
|          |          | <b>792648</b> Piston<br>Assembly<br>(.020" Oversize)                                | 78          | 691003        | Screw<br>(Flywheel Guard)                               | 240      | 394358s    | Filter-Fuel<br>(White, 75 Microns)<br>Used on Type No(s).<br>0449, 0575, 0652,<br>0635, 0670.               |
| 26       | 791936   | Ring Set<br>(Standard)<br>----- <b>Note</b> -----                                   | 94A         | 695425        | Kit-Idle Mixture  | 240A     | 691035     | Filter-Fuel<br>(Includes Paper<br>Element With A 40<br>Micron Rating)<br>Used on Type No(s).<br>0036, 0671. |
|          |          | <b>791947</b> Ring Set<br>(.020" Oversize)  | 95A         | ●690718       | Screw<br>(Throttle Valve)                               | 265      | 691024     | Clamp-Casing  |
| 27       | 698469   | Lock-Piston Pin   | 98A         | 695408        | Kit-Idle Speed  |          |            |   |
| 28       | 697099   | Pin-Piston<br>(Standard)  | 104A        | ●694918       | Pin-Float Hinge   |          |            |   |
|          |          |   | 105A        | ●696136       | Valve-Float Needle                                      |          |            |   |
|          |          |   | 108B        | 695419        | Valve-Choke   |          |            |   |
|          |          |   | 117A        | 792296        | Jet-Main<br>(Standard)                                  |          |            |   |
|          |          |   | 121A        | 792369        | Kit-Carburetor<br>Overhaul<br>(Nikki Carburetor)        |          |            |   |
|          |          |   | 125A        | 792768        | Carburetor<br>(Nikki Carburetor)                        |          |            |   |
|          |          |   | 127A        | ●690727       | Plug-Welch  |          |            |   |
|          |          |   | 130A        | 792747        | Valve-Throttle  |          |            |   |
|          |          |   | 131A        | 792765        | Kit-Throttle Shaft                                      |          |            |   |
|          |          |   | 133A        | 694914        | Float-Carburetor  |          |            |   |

★ Included in Engine Gasket Set-Ref. No.358.

● Included in Carburetor Overhaul Kit-Ref. No. 121A.

△ Included in Valve Gasket Set-Ref. No 1095.

**Illustrations cover a range of engines. Parts shown without corresponding text may not be used on your specific engine.**



# 31P900

| REF. NO. | PART NO. | DESCRIPTION  | REF. NO. | PART NO. | DESCRIPTION  | REF. NO. | PART NO. | DESCRIPTION  |
|----------|----------|--|----------|----------|--|----------|----------|--|
| 267      | 792629   | Screw<br>(Casing Clamp)<br>Used on Type No(s).<br>0036, 0652.  | 415      | 690283   | Plug<br>(Sump)   | 562      | 691119   | Bolt<br>(Governor Control<br>Lever)  |
| 268      | 691025   | Casing-Control Wire<br>(Cut To Required<br>Length)   | 431      | 697122   | Elbow-Intake<br>Used on Type No(s).<br>0652.   | 579      | 691029   | Nut<br>(Starter Cable)   |
| 269      | 691026   | Wire-Control<br>(Cut To Required<br>Length)  | 445      | 698083   | Filter-Air Cleaner<br>Cartridge<br>(Non Washable)<br>----- <b>Note</b> -----<br><b>697153</b> Filter-Air<br>Cleaner Cartridge<br>(Washable)                              | 584      | 697112   | Cover-Breather<br>Passage  |
| 270      | 691027   | Nut<br>(Control Wire Casing)   | 462      | 691261   | Washer<br>(Starter Cable)  | 601      | 791850   | Clamp-Hose   |
| 271      | 691028   | Lever-Control  | 474A     | 696459   | Alternator<br>(Dual Circuit)<br>Used on Type No(s).<br>0449, 0575, 0635,<br>0652, 0670.  | 614      | 691620   | Pin-Cotter   |
| 276A     | 695410   | Washer-Sealing   | 474B     | 696457   | Alternator<br>(Tri Circuit)<br>Used on Type No(s).<br>0036, 0671.  | 616      | 692012   | Crank-Governor   |
| 304      | 698599   | Housing-Blower<br>(Black)<br>Used on Type No(s).<br>0449, 0575, 0671.<br>----- <b>Note</b> -----<br><b>699704</b> Housing-<br>Blower<br>(Black)<br>Used on Type No(s).<br>0036, 0635, 0652,<br>0670. | 501      | 691188   | Regulator<br>Used on Type No(s).<br>0036, 0671.  | 617      | ★692138  | Seal-O Ring<br>(Intake Manifold)   |
| 305      | 697102   | Screw<br>(Blower Housing)  | 503      | 691532   | Strap-Starter  | 634B     | ●698779  | Spring/Seal Assembly   |
| 305A     | 697103   | Screw<br>(Blower Housing)  | 505      | 691251   | Nut<br>(Governor Control<br>Lever)   | 635      | 691909   | Boot-Spark Plug  |
| 306      | 697107   | Shield-Cylinder  | 510      | 693699   | Drive-Starter  | 643      | 698401   | Retainer-Air Filter  |
| 307      | 691003   | Screw<br>(Cylinder Shield)   | 513      | 692024   | Clutch-Drive   | 654      | 690958   | Nut<br>(Carburetor)  |
| 309      | 693551   | Motor-Starter  | 523      | 699908   | Dipstick   | 691      | ★692407  | Seal-Governor Shaft  |
| 310      | 690323   | Screw<br>(Starter Motor)   | 524      | ★691032  | Seal-Dipstick Tube   | 697      | 690372   | Screw<br>(Drive Cap)   |
| 311      | 497608   | Brush Set  | 525      | 697085   | Tube-Dipstick<br>Used on Type No(s).<br>0036, 0671.<br>----- <b>Note</b> -----<br><b>697184</b> Tube-Dipstick<br>Used on Type No(s).<br>0449, 0575, 0635,<br>0652, 0670. | 718      | 690959   | Pin-Locating   |
| 333      | 492341   | Armature-Magneto   | 526      | 697088   | Screw<br>(Regulator)   | 729A     | 691224   | Clip-Wire  |
| 334      | 691061   | Screw<br>(Magneto Armature)  | 544      | 692034   | Armature-Starter   | 729B     | 694123   | Clip-Wire  |
| 337      | 491055s  | Plug-Spark<br>----- <b>Note</b> -----<br><b>691043</b> Plug-Spark<br>Used on Type No(s).<br>0652.  | 552      | 697144   | Bushing-Governor<br>Crank  | 741      | 697128   | Gear-Timing  |
| 356      | 697089   | Wire-Stop  | 559      | 697561   | Screw<br>(Remote Choke Stop)<br>Used on Type No(s).<br>0652.   | 750      | 790832   | Screw<br>(Oil Pump Cover)  |
| 358      | 697191   | Gasket Set-Engine  | 559A     | 693675   | Screw<br>(Remote Choke Stop)<br>Used on Type No(s).<br>0652.   | 757      | 697607   | Link-Counterweight   |
| 363      | 19203    | Puller-Flywheel  |          |          |  | 758      | 697134   | Counterweight  |
| 383      | 89838s   | Wrench-Spark Plug  |          |          |  | 759      | 697392   | Pin-Counterweight  |
| 385      | 694476   | Screw<br>(Fuel Pump)   |          |          |  | 783      | 693713   | Gear-Pinion  |
| 385A     | 690297   | Screw<br>(Fuel Pump)   |          |          |  | 789A     | 698329   | Harness-Wiring<br>Used on Type No(s).<br>0036, 0652, 0671.   |
| 387      | 697090   | Pump-Fuel  |          |          |  | 797      | 693167   | Nut<br>(Brush Retainer)  |
| 387A     | 808656   | Pump-Fuel  |          |          |  | 801      | 691283   | Cap-Drive  |
| 404      | 691691   | Washer<br>(Governor Crank)   |          |          |  | 802      | 691286   | Cap-End  |
|          |          |  |          |          |  | 803      |          | Housing-Starter<br>(Not Serviced<br>Separately, Order<br>Starter Motor 693551)   |
|          |          |  |          |          |  | 830      | 691095   | Stud-Rocker Arm  |
|          |          |  |          |          |  | 842      | ★691031  | Seal-O Ring<br>(Dipstick Tube)   |
|          |          |  |          |          |  | 847      | 790443   | Dipstick/Tube<br>Assembly<br>Used on Type No(s).<br>0036, 0671.<br>----- <b>Note</b> -----<br><b>790442</b> Dipstick/Tube<br>Assembly<br>Used on Type No(s).<br>0449, 0575, 0635,<br>0652, 0670. |

★ Included in Engine Gasket Set-Ref. No.358.

● Included in Carburetor Overhaul Kit-Ref. No. 121A.

△ Included in Valve Gasket Set-Ref. No 1095.

**Illustrations cover a range of engines. Parts shown without corresponding text may not be used on your specific engine.**

3673-9

Assemblies include all parts shown in frames.

10/23/2006

# 31P900

| REF. NO. | PART NO.  | DESCRIPTION                                 | REF. NO. | PART NO. | DESCRIPTION   | REF. NO. | PART NO. | DESCRIPTION   |
|----------|-----------|---|----------|----------|---|----------|----------|---|
| 851      | 692424    | Terminal-Spark Plug                         | 1023     | 791079   | Cover-Rocker  | 1070     | 690372   | Screw   |
| 868      | ★△690968  | Seal-Valve                                  | 1024     | 499054   | Pump-Oil  |          |          | (Flywheel Fan)  |
| 877      | 393456    | Wire/Connector-Alternator<br>(Dual Circuit) | 1026     | 692003   | Rod-Push<br>(Intake)  | 1090     | 691293   | Retainer-Brush  |
| 877B     | 393537    | Wire/Connector-Alternator<br>(Tri Circuit)  |          |          | ----- Note -----<br>692011 Rod-Push<br>(Exhaust)  | 1091     | 691333   | Cap-Limiter   |
| 878      | 398661    | Harness-Alternator<br>(Dual Circuit)        | 1027     | 492932s  | Filter-Oil<br>Used on Type No(s).<br>0449, 0575, 0652,<br>0671.                             | 1095     | 690190   | Gasket Set-Valve  |
| 878A     | 691955    | Harness-Alternator<br>(Tri Circuit)         | 1027A    | 696854   | Filter-Oil<br>Used on Type No(s).<br>0036, 0635, 0670.                                      | 1119     | 691183   | Screw<br>(Alternator)   |
| 914      | 691108    | Screw<br>(Rocker Cover)                     | 1029     | 691751   | Arm-Rocker  | 1127     | 695407   | Screw<br>(Float Bowl)   |
| 918      | 791851    | Hose-Vacuum                                 | 1034     | 690822   | Guide-Push Rod  | 1263     | 697124   | Reed-Breather   |
| 943      | ★690589   | Seal-O Ring<br>(Oil Pump Cover)             | 1035     | 693784   | Shaft-Pump  | 1264     | 697104   | Screw<br>(Breather Reed)                                      |
| 947A     | 699915    | Solenoid-Fuel                               | 1036     |          | Label-Emissions<br>(Available from an<br>Authorized Briggs &<br>Stratton Service<br>Dealer) | 1266     | ★●691917 | Seal-O Ring<br>(Intake Elbow)<br>Used on Type No(s).<br>0652. |
| 965      | 499613    | Cover-Oil Pump                              | 1040B    | 699852   | Plate-Trim  | 1266A    | ●697123  | Seal-O Ring<br>(Intake Elbow)<br>Used on Type No(s).<br>0652. |
| 967      | 697015    | Filter-Pre Cleaner                          | 1044     | 698139   | Screw<br>(Flywheel)   | 1267     | 697419   | Latch-Blower Housing<br>(Black)                               |
| 968      | 698403    | Cover-Air Cleaner<br>(Black)                | 1051     | 691265   | Ring-Retaining  | 1270     | 697156   | Plug-AVS<br>Counterweight                                     |
| 975A     | 699502    | Bowl-Float                                  | 1054     | 280275   | Tie-Cable   | 1330     | 272147   | Repair Manual   |
| 987A     | ●698777   | Seal-Throttle Shaft                         | 1058     | 276344   | Operator's Manual   |          |          |   |
| 1005     | 699043    | Fan-Flywheel                                | 1059     | 698516   | Kit-Screw/Washer  |          |          |   |
| 1017     | 690770    | Screen-Oil Pump                             |          |          |   |          |          |   |
| 1022     | ★△272475s | Gasket-Rocker Cover                         |          |          |   |          |          |   |

★ Included in Engine Gasket Set-Ref. No.358.

● Included in Carburetor Overhaul Kit-Ref. No. 121A.

△ Included in Valve Gasket Set-Ref. No 1095.

**Illustrations cover a range of engines. Parts shown without corresponding text may not be used on your specific engine.**