



# Illustrated Parts List

## Model Series

# 31G700

TYPE NUMBERS  
0026 through 4302.

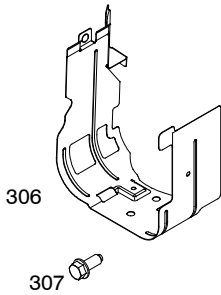
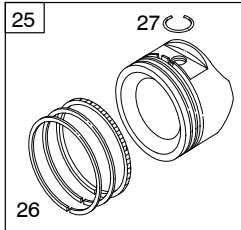
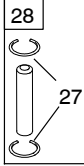
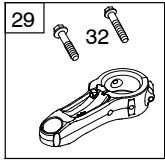
### TABLE OF CONTENTS

<b>Air Cleaner</b> .....	6
<b>Alternator</b> .....	8
<b>Blower Housing</b> .....	6
<b>Camshaft</b> .....	2
<b>Carburetor</b> .....	5
<b>Controls</b> .....	8
<b>Crankshaft</b> .....	2
<b>Cylinder</b> .....	2
<b>Cylinder Head</b> .....	4
<b>Electric Starter</b> .....	8
<b>Engine Sump</b> .....	3
<b>Exhaust System</b> .....	6
<b>Flywheel</b> .....	7
<b>Fuel Supply</b> .....	3
<b>Gasket Set-Engine</b> .....	3
<b>Gasket Set-Valve</b> .....	4
<b>Governor Spring</b> .....	8
<b>Ignition</b> .....	8
<b>Intake Manifold</b> .....	4
<b>Kit-Carburetor Overhaul</b> .....	5
<b>Lubrication</b> .....	4
<b>Operator's Manual</b> .....	2
<b>Piston, Rings, Connecting Rod</b> .....	2
<b>Valves</b> .....	4
<b>Warning Label</b> .....	2



PRINTED IN U.S.A.

COPYRIGHT by BRIGGS & STRATTON CORPORATION  
All rights reserved. No part of this material may be reproduced or transmitted,  
in any form or by any means, electronic or mechanical, including photocopying,  
recording or by any information storage and retrieval system, without permission  
in writing from Briggs & Stratton Corporation.



1319 WARNING LABEL

**WARNING**

Wear eye protection.  
 Disconnect before starting engine.  
 Allow the engine to cool before working on it.  
 Do not touch the engine or its parts until they are cool.  
 Do not touch the engine or its parts until they are cool.  
 Do not touch the engine or its parts until they are cool.

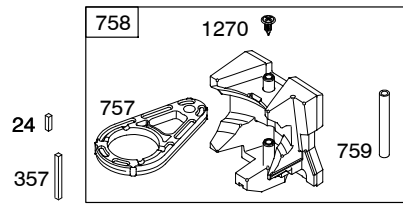
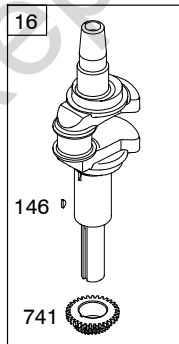
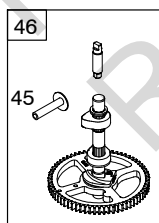
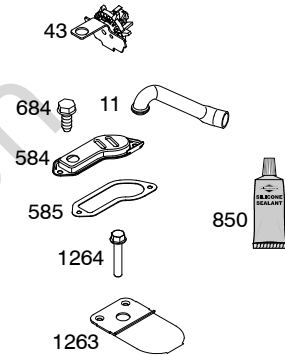
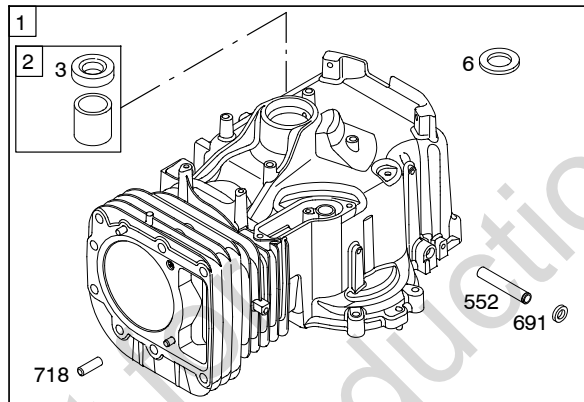
**REQUIRED** when replacing parts with warning labels affixed.

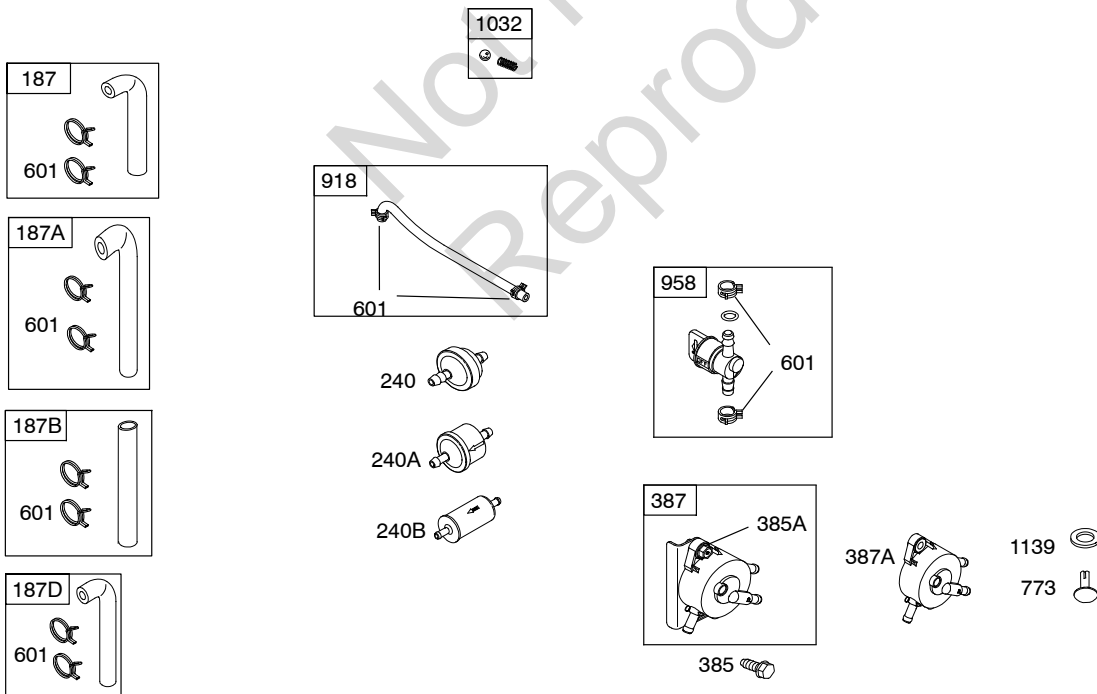
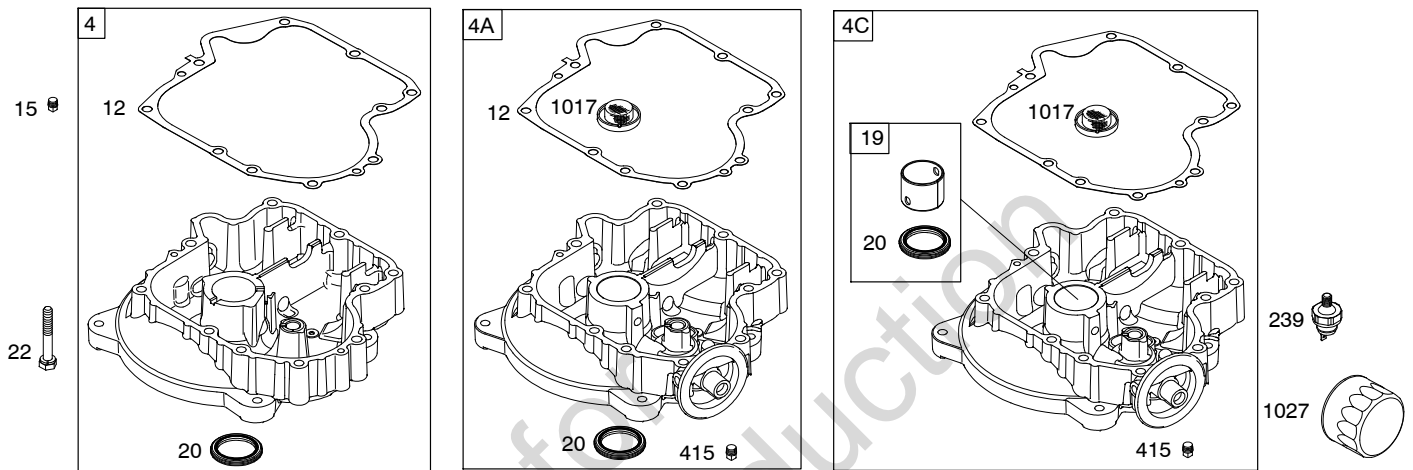
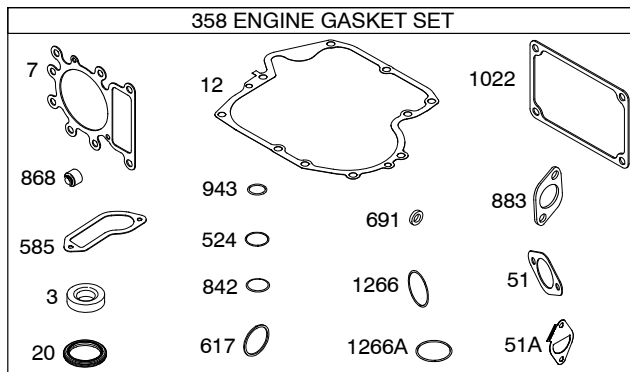
1058 OPERATOR'S MANUAL

1036 EMISSIONS LABEL

1036A

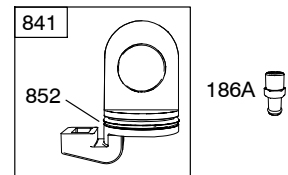
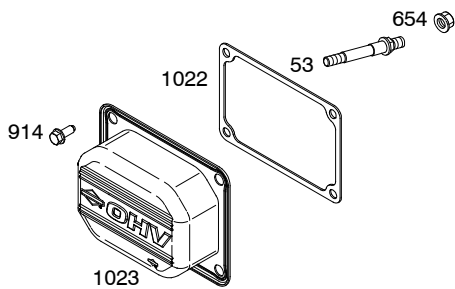
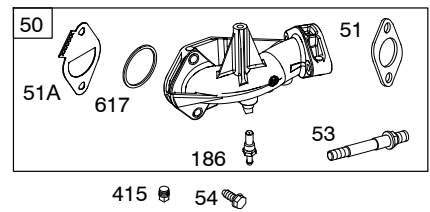
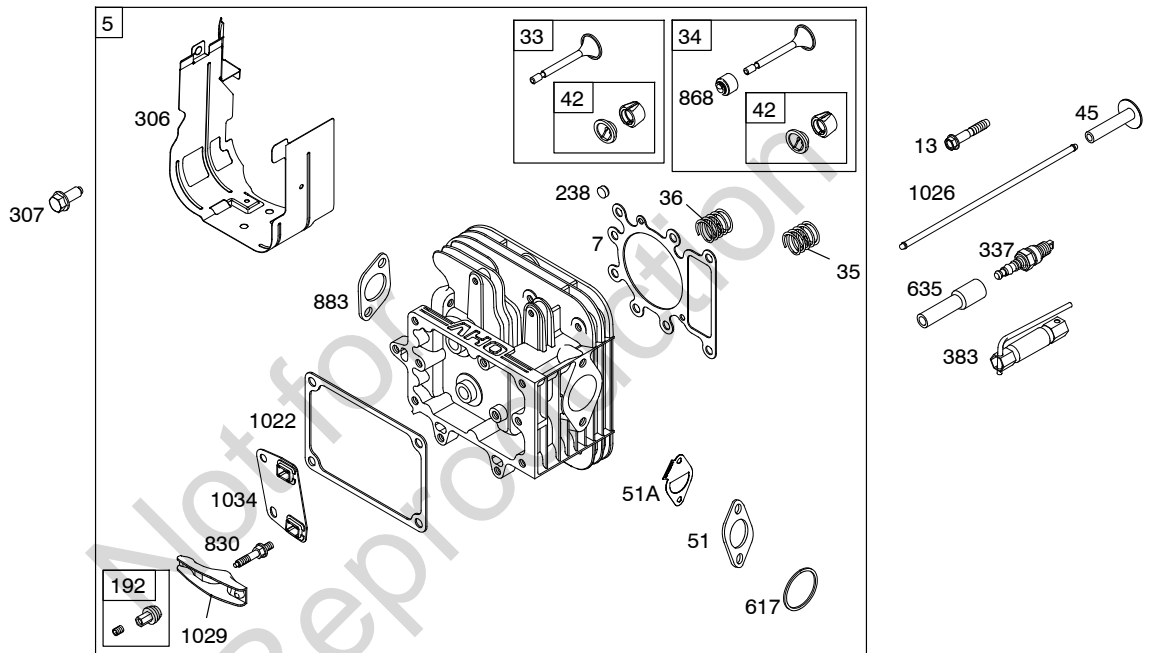
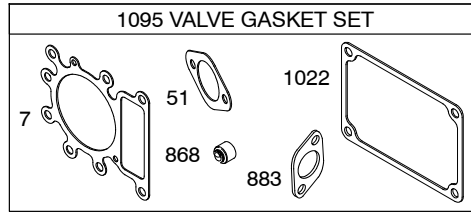
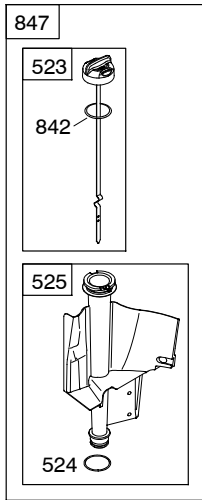
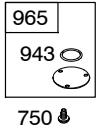
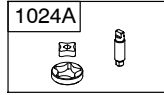
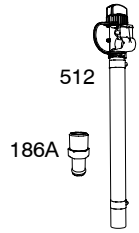
APPLIES TO ENGINE ONLY  
 ACN 006 576 656



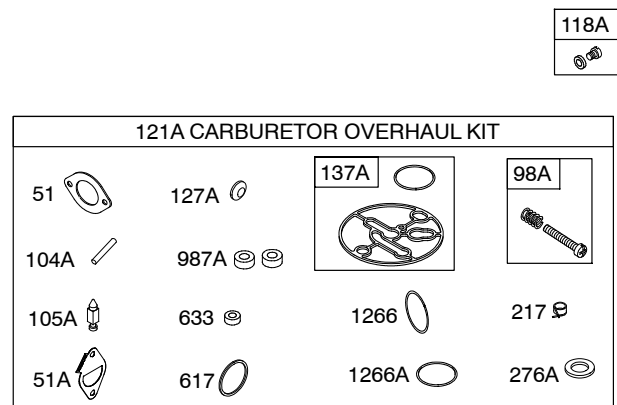
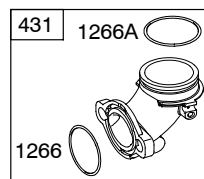
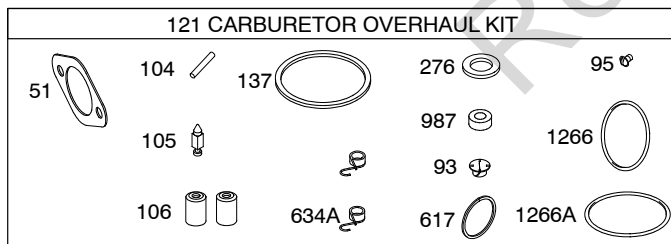
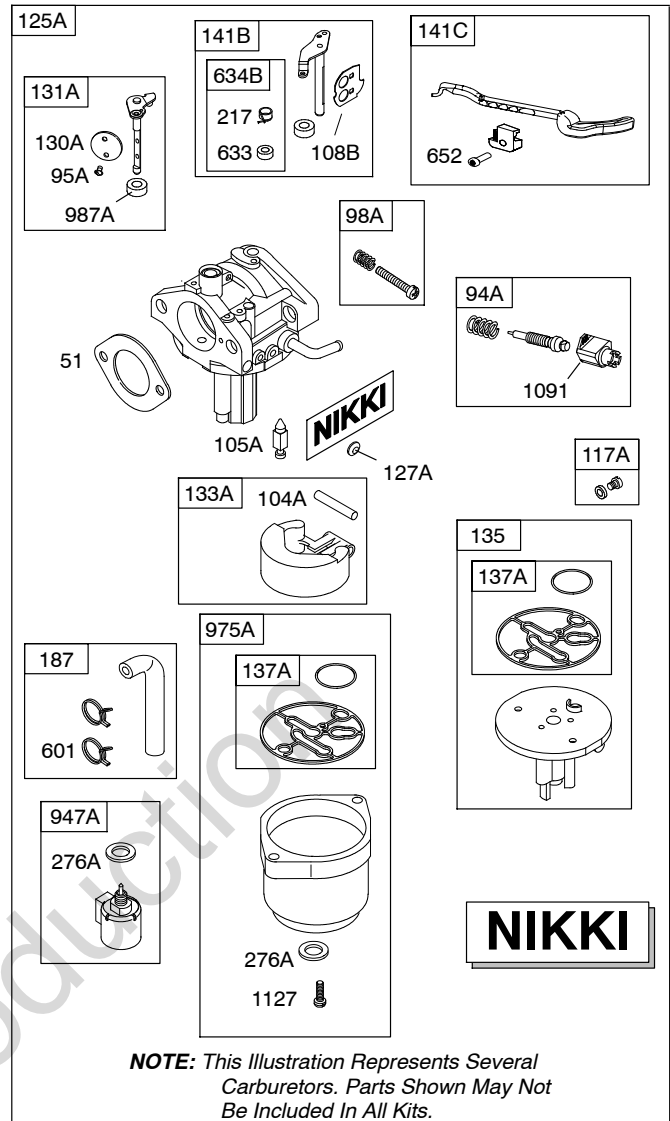
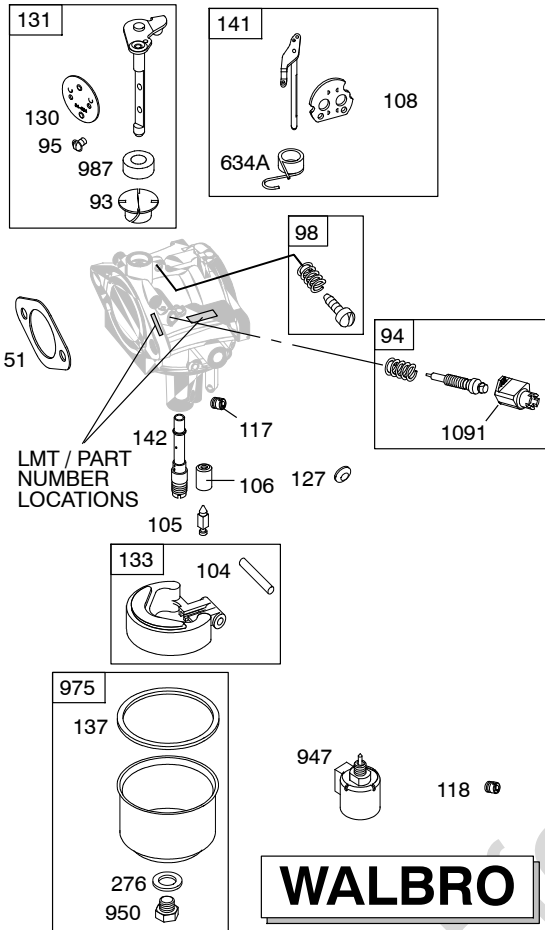


**5164-3** *Illustrations cover a range of engines. Parts shown without corresponding text may not be used on your specific engine.* Assemblies include all parts shown in frames. **05/11/2012**

# 31G700

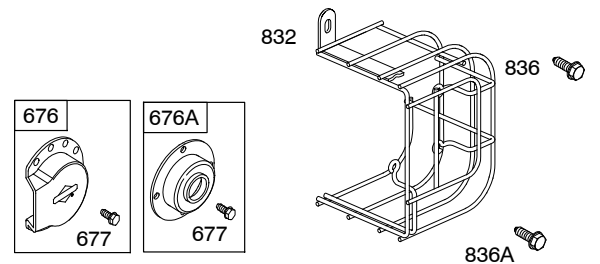
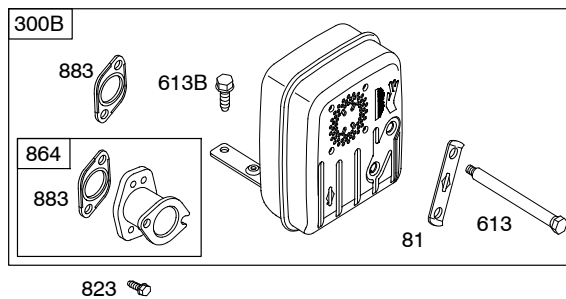
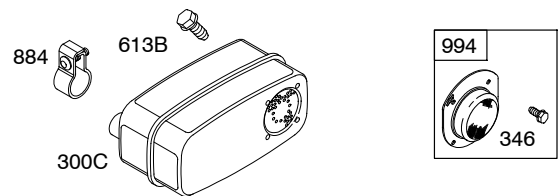
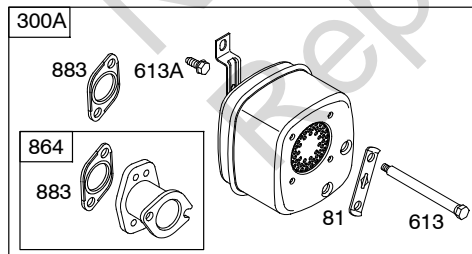
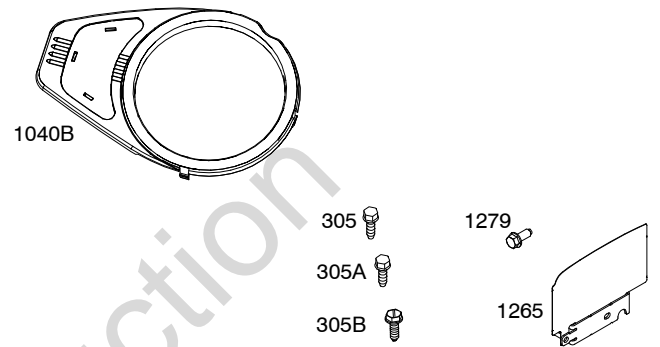
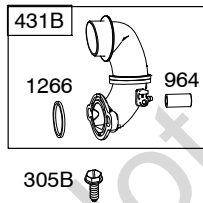
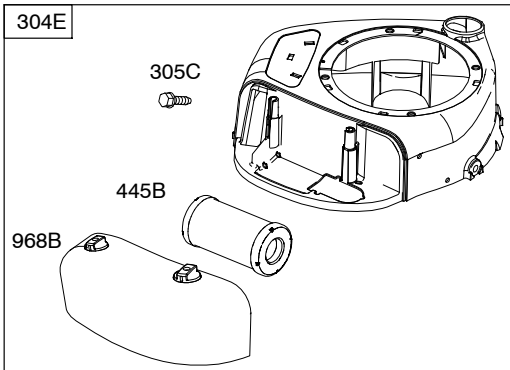
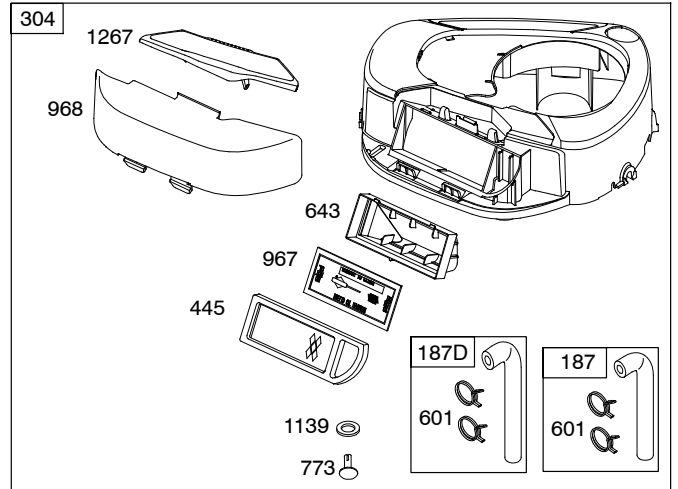
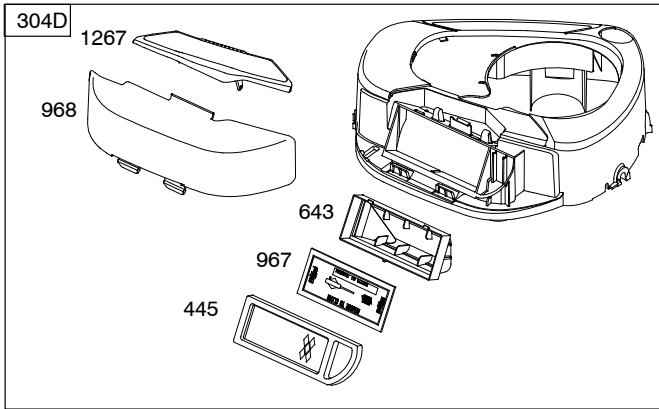


Illustrations cover a range of engines. Parts shown without corresponding text may not be used on your specific engine.  
5164-4 Assemblies include all parts shown in frames. 05/11/2012

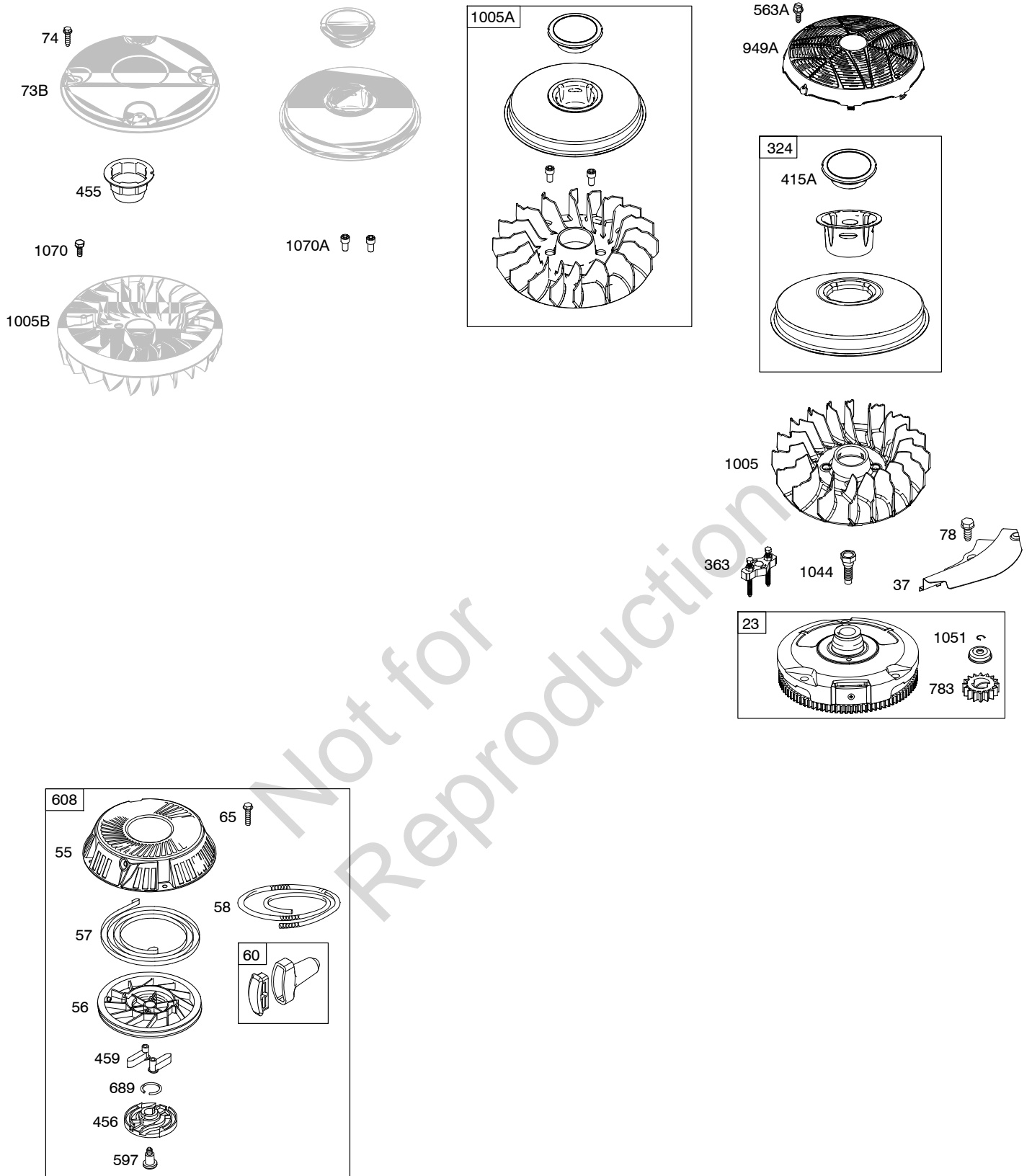


Illustrations cover a range of engines. Parts shown without corresponding text may not be used on your specific engine.  
 5164-5 Assemblies include all parts shown in frames. 05/11/2012

# 31G700

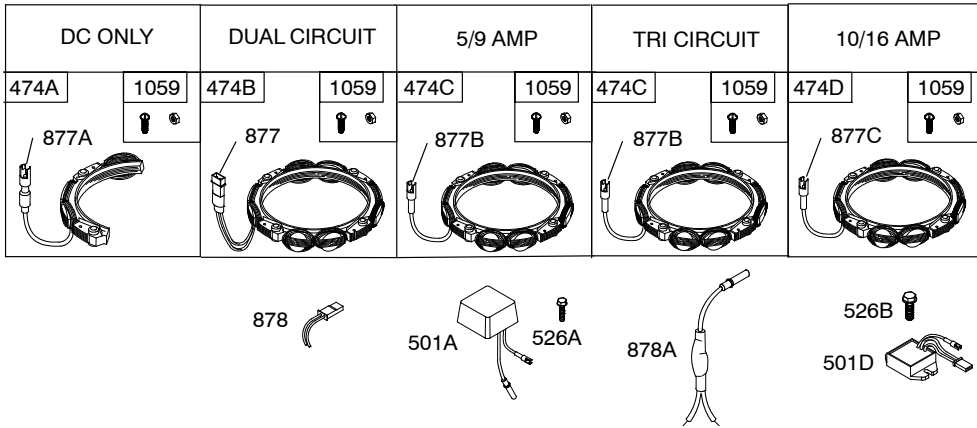


**Illustrations cover a range of engines. Parts shown without corresponding text may not be used on your specific engine.**  
**5164-6** Assemblies include all parts shown in frames. **05/11/2012**



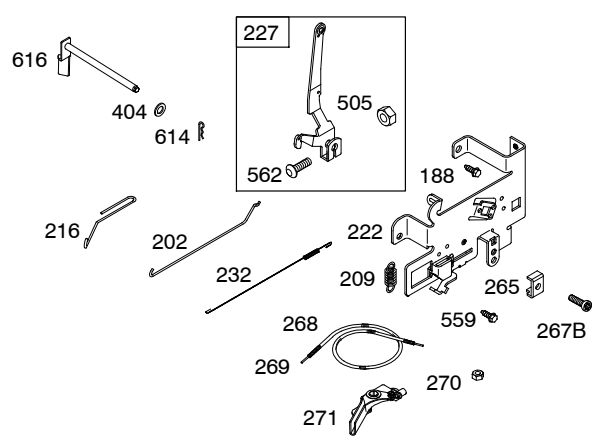
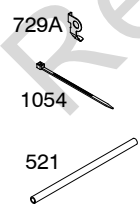
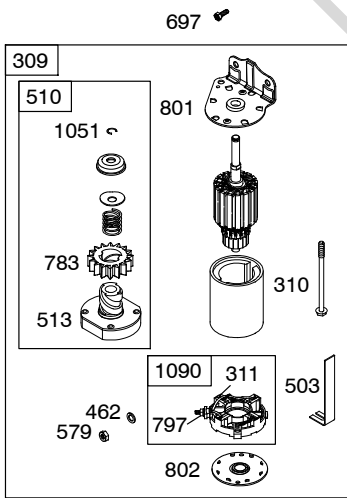
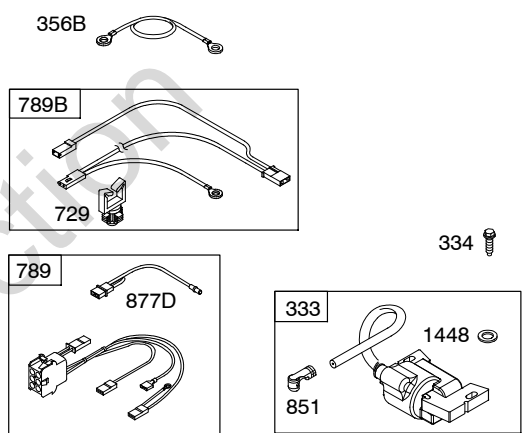
5164-7 *Illustrations cover a range of engines. Parts shown without corresponding text may not be used on your specific engine.* Assemblies include all parts shown in frames. 05/11/2012

# 31G700



**NOTE:** All stators use a No. 1119 mounting screw.

**NOTE:** The proper flywheel part number and/or the alternator magnet size will determine the alternator type or output. See repair instruction manual for additional information.





# 31G700

REF. NO.	PART NO.	DESCRIPTION	REF. NO.	PART NO.	DESCRIPTION	REF. NO.	PART NO.	DESCRIPTION
1	796010	Cylinder Assembly	13	793988	Screw (Cylinder Head) (Used After Code Date 07010900).	20	795387	Seal-Oil (PTO Side)
2	797673	Kit-Bushing/Seal (Magneto Side)				22	692125	Screw (Crankcase Cover/Sump)
3	391086s	Seal-Oil (Magneto Side)				23	591760	Flywheel (Used After Code Date 12071700).
4	697106	Sump-Engine (Used After Code Date 05100200). Used on Type No(s). 0026, 0140. ----- Note ----- 795903 Sump-Engine (Used Before Code Date 05100300). (Must Use Kit 795903, Includes Sump And Counterweight). Used on Type No(s). 0026, 0140.	15	690946	Plug-Oil Drain (Square Head) ----- Note ----- 690360 Screw (Cylinder Head) (Used Before Code Date 07011000)			----- Note ----- 693556 Flywheel (Used Before Code Date 12071800). 591761 Flywheel (Used After Code Date 12071700).
4A	697188	Sump-Engine (Used After Code Date 05100200). ----- Note ----- 795938 Sump-Engine (Used Before Code Date 05100300). (Must Use Kit 795938, Includes Sump And Counterweight).	16	591762	Crankshaft (Used After Code Date 12071700). ----- Note ----- 797579 Crankshaft (Used Before Code Date 12071800). 591763 Crankshaft (Used After Code Date 12071700). Used on Type No(s). 0138, 0143, 0144, 0147, 0153, 0154, 0156, 0157, 0160, 0161, 0171, 0200, 0205, 0235, 0238, 0297, 0302, 0305, 0306, 0720, 0814, 1440, 2143, 2144, 2440, 4302. 797585 Crankshaft (Used Before Code Date 12071700). Used on Type No(s). 0138, 0143, 0144, 0147, 0153, 0154, 0156, 0157, 0160, 0161, 0171, 0200, 0235, 0238, 0297, 0302, 0305, 0720, 0814, 1440, 2143, 2144, 2440, 4302.			Used on Type No(s). 0119, 0127, 0128, 0136, 0139, 0147, 0150, 0151, 0154, 0156, 0165, 0172, 0181, 0193, 0199, 0200 0253, 0258, 0263, 0290, 0292, 0293, 0294, 0297, 0299, 0300, 0302, 0424, 0559, 0806, 1191, 2424. 693557 Flywheel (Used Before Code Date 12071800). Used on Type No(s). 0119, 0127, 0128, 0136, 0139, 0147, 0150, 0151, 0154, 0156, 0165, 0172, 0181, 0193, 0199, 0200 0253, 0258, 0263, 0290, 0292, 0293, 0294, 0297, 0299, 0300, 0302, 0424, 0559, 0806, 1191, 2424.
4C	591009	Sump-Engine Used on Type No(s). 0174.						
5	796026	Head-Cylinder						
6	690310	Washer (Used After Code Date 07070900).						
7	796584	Gasket-Cylinder Head						
9	697109	Gasket-Breather (Used Before Code Date 07071900). (After Date Code Use Liquid Sealant Reference 850)						
10	697157	Screw (Breather Assembly)						
11	794683	Tube-Breather						
12	697110	Gasket-Crankcase (.015" Thick) (Standard)	19	591010	Kit-Bushing/Seal (PTO Side)			

Illustrations cover a range of engines. Parts shown without corresponding text may not be used on your specific engine.  
5164-9 Assemblies include all parts shown in frames. 05/11/2012

# 31G700

REF. NO.	PART NO.	DESCRIPTION	REF. NO.	PART NO.	DESCRIPTION	REF. NO.	PART NO.	DESCRIPTION
	<b>591759</b>	Flywheel (Used After Code Date 12071700). Used on Type No(s). 0148, 0149, 0153, 1413, 1583, 1597, 4302.	<b>26</b>	<b>791936</b>	Ring Set (Standard) (Used After Code Date 06010100). ----- <b>Note</b> ----- <b>699026</b> Ring Set (Standard) (Used Before Code Date 06010200).	<b>37</b>	<b>697108</b>	Guard-Flywheel
	<b>698281</b>	Flywheel (Used Before Code Date 12071800). Used on Type No(s). 0148, 0149, 0153, 1413, 1583, 1597, 4302.			<b>792649</b> Ring Set (.020" Oversize)	<b>42</b>	<b>499586</b>	Keeper-Valve
	<b>591758</b>	Flywheel (Used After Code Date 12071700). Used on Type No(s). 0143, 0144, 0146, 0155, 0157, 0158, 0159, 0160, 0161, 0162, 0169, 0171, 0174, 0175, 0194, 0203, 0204, 0235, 0238, 0304, 0305, 1440, 2143, 2144, 2146, 2440, 3304, 4127, 4130, 4133.	<b>27</b>	<b>698469</b>	Lock-Piston Pin	<b>43</b>	<b>691968</b>	Slinger-Governor/Oil
	<b>698282</b>	Flywheel (Used Before Code Date 12071800). Used on Type No(s). 0143, 0144, 0146, 0155, 0157, 0158, 0159, 0160, 0161, 0162, 0169, 0171, 0174, 0175, 0194, 0203, 0204, 0235, 0238, 0304, 0305, 1440, 2143, 2144, 2146, 2440, 3304, 4127, 4130, 4133.	<b>28</b>	<b>796007</b>	Pin-Piston (Standard) (Used After Code Date 08042700). ----- <b>Note</b> ----- <b>697099</b> Pin-Piston (Standard) (Used Before Code Date 08042800).	<b>45</b>	<b>690564</b>	Tappet-Valve
	<b>591757</b>	Key-Flywheel (Used After Code Date 12071700). ----- <b>Note</b> ----- <b>796335</b> Key-Flywheel (Used Before Code Date 12071800).	<b>29</b>	<b>794122</b>	Rod-Connecting (Standard) ----- <b>Note</b> ----- <b>794571</b> Rod-Connecting Used on Type No(s). 0138, 0143, 0144, 0147, 0153, 0154, 0156, 0157, 0160, 0161, 0171, 0200, 0235, 0238, 0297, 0302, 0305, 0720, 0814, 1440, 2143, 2144, 2440, 4302.	<b>46</b>	<b>793880</b>	Camshaft
<b>24</b>	<b>591757</b>	Key-Flywheel (Used After Code Date 12071700). ----- <b>Note</b> ----- <b>796335</b> Key-Flywheel (Used Before Code Date 12071800).	<b>32</b>	<b>791118</b>	Screw (Connecting Rod)	<b>50</b>	<b>591248</b>	Manifold-Intake
<b>24</b>	<b>796335</b>	Key-Flywheel	<b>33</b>	<b>792868</b>	Valve-Exhaust (Used After Code Date 06011900). ----- <b>Note</b> ----- <b>695760</b> Valve-Exhaust (Used Before Code Date 06012000).	<b>51</b>	<b>692137</b>	Gasket-Intake
<b>25</b>	<b>796172</b>	Piston Assembly (Standard) ----- <b>Note</b> ----- <b>796173</b> Piston Assembly (.020" Oversize)	<b>34</b>	<b>791935</b>	Valve-Intake (Used After Code Date 06011900). ----- <b>Note</b> ----- <b>695761</b> Valve-Exhaust (Used Before Code Date 06012000).	<b>51A</b>	<b>796081</b>	Gasket-Intake
			<b>35</b>	<b>691279</b>	Spring-Valve (Intake)	<b>53</b>	<b>591260</b>	Stud (Carburetor) (Used After Code Date 11121800). ----- <b>Note</b> ----- <b>690227</b> Stud (Carburetor) (Used Before Code Date 11121900).
			<b>36</b>	<b>691279</b>	Spring-Valve (Exhaust)	<b>54</b>	<b>691148</b>	Screw (Intake Manifold)
						<b>55</b>	<b>695130</b>	Housing-Rewind Starter
						<b>56</b>	<b>695129</b>	Pulley-Starter
						<b>57</b>	<b>695131</b>	Spring-Rewind Starter
						<b>58</b>	<b>695132</b>	Rope-Starter
						<b>60</b>	<b>493926</b>	Grip-Starter Rope
						<b>65</b>	<b>690759</b>	Screw (Rewind Starter)
						<b>73B</b>		Screen-Rotating (Used Before Code Date 07040900). See Reference 1005A For Service Flywheel Fan).
						<b>74</b>	<b>697897</b>	Screw (Rotating Screen) (Used Before Code Date 07040900).
						<b>78</b>	<b>691693</b>	Screw (Flywheel Guard)
						<b>81</b>	<b>691178</b>	Lock-Muffler Screw
						<b>93</b>	<b>690602</b>	Bushing-Throttle Shaft
						<b>94</b>	<b>794176</b>	Kit-Idle Mixture (Walbro)
						<b>94A</b>	<b>793610</b>	Kit-Idle Mixture (Nikki)
						<b>95</b>	<b>691636</b>	Screw (Throttle Valve) (Walbro)
						<b>95A</b>	<b>690718</b>	Screw (Throttle Valve) (Nikki)
						<b>98</b>	<b>495800</b>	Kit-Idle Speed (Walbro)
						<b>98A</b>	<b>695408</b>	Kit-Idle Speed (Nikki)

Illustrations cover a range of engines. Parts shown without corresponding text may not be used on your specific engine.

REF. NO.	PART NO.	DESCRIPTION	REF. NO.	PART NO.	DESCRIPTION	REF. NO.	PART NO.	DESCRIPTION
104	690525	Pin-Float Hinge (Walbro)		699732	Jet-Main (Used Before Code Date 09012500). Used on Type No(s). 0026B1, 0026E1, 0036B1, 0036E1, 0112, 0113, 0115, 0116, 0123, 0130, 0132, 0133, 0134, 0135, 0138, 0140, 0142, 0151, 0165, 0166, 0167, 0191, 0196, 0200, 0201, 0253, 0258, 0263, 0290.	118	697228	Jet-Main (High Altitude)
104A	694918	Pin-Float Hinge (Nikki)				118A	790890	Jet-Main (High Altitude) Used on Type No(s). 0143, 0144, 0146, 0147, 0148, 0149, 0150, 0153, 0154, 0155, 0156, 0157, 0158, 0159, 0160, 0161, 0162, 0169, 0171, 0174, 0175, 0194, 0203, 0204, 0235, 0238, 0302, 0303, 0304, 0305, 1191, 1413, 1440, 1583, 1597, 2143, 2144, 2146, 2424, 2440, 3026, 3036, 3304, 4127, 4130, 4133, 4302.
105	231855s	Valve-Float Needle (Walbro)						
105A	696136	Valve-Float Needle (Nikki)						
106	690577	Seat-Inlet (Gravity Feed) ----- Note ----- 691780 Seat-Inlet (Pump Feed)						
108	692344	Valve-Choke (Walbro)		843099	Jet-Main (Standard) (Used After Code Date 08051300). Used on Type No(s). 0114, 0119, 0120, 0121, 0125, 0126, 0127, 0128, 0131, 0136, 0139, 0168, 0172, 0181, 0192, 0193, 0199, 0292, 0293, 0294, 0297, 0299, 0300, 0424, 0559, 0720, 0806, 0814.			
108B	695419	Valve-Choke (Nikki)						
117	694352	Jet-Main (Standard)						
117A	843099	Jet-Main (Standard) Used on Type No(s). 0143, 0144, 0146, 0147, 0148, 0149, 0150, 0153, 0154, 0155, 0156, 0157, 0158, 0159, 0160, 0161, 0162, 0169, 0171, 0174, 0175, 0194, 0203, 0204, 0235, 0238, 0302, 0303, 0304, 0305, 1191, 1413, 1440, 1583, 1597, 2143, 2144, 2146, 2424, 2440, 3026, 3036, 3304, 4127, 4130, 4133, 4302. ----- Note ----- 843099 Jet-Main (Standard) (Used After Code Date 09012400). Used on Type No(s). 0026B1, 0026E1, 0036B1, 0036E1, 0112, 0113, 0115, 0116, 0123, 0130, 0132, 0133, 0134, 0135, 0138, 0140, 0142, 0151, 0165, 0166, 0167, 0191, 0196, 0200, 0201, 0253, 0258, 0263, 0290.						
								----- Note ----- 790890 Jet-Main (High Altitude) (Used After Code Date 09012400). Used on Type No(s). 0026B1, 0026E1, 0036B1, 0036E1, 0112, 0113, 0115, 0116, 0123, 0130, 0132, 0133, 0134, 0135, 0138, 0140, 0142, 0151, 0165, 0166, 0167, 0191, 0196, 0200, 0201, 0253, 0258, 0263, 0290. 699458 Jet-Main (High Altitude) (Used Before Code Date 09012500). Used on Type No(s). 0026B1, 0026E1, 0036B1, 0036E1, 0112, 0113, 0115, 0116, 0123, 0130, 0132, 0133, 0134, 0135, 0138, 0140, 0142, 0151, 0165, 0166, 0167, 0191, 0196, 0200, 0201, 0253, 0258, 0263, 0290.

**Illustrations cover a range of engines. Parts shown without corresponding text may not be used on your specific engine.**  
**5164-11** Assemblies include all parts shown in frames. **05/11/2012**

# 31G700

REF. NO.	PART NO.	DESCRIPTION	REF. NO.	PART NO.	DESCRIPTION	REF. NO.	PART NO.	DESCRIPTION
		<b>790890</b> Jet-Main (High Altitude) (Used After Code Date 08051300). Used on Type No(s). 0114, 0119, 0120, 0121, 0125, 0126, 0127, 0128, 0131, 0136, 0139, 0168, 0172, 0181, 0192, 0193, 0199, 0292, 0293, 0294, 0297, 0299, 0300, 0424, 0559, 0720, 0806, 0814.	<b>125A</b>	<b>796109</b>	Carburetor (Nikki Carburetor) Used on Type No(s). 0143, 0144, 0146, 0147, 0148, 0149, 0150, 0153, 0154, 0155, 0156, 0157, 0158, 0159, 0160, 0161, 0162, 0169, 0171, 0174, 0175, 0194, 0203, 0204, 0235, 0238, 0302, 0303, 0304, 0305, 1191, 1413, 1440, 1583, 1597, 2143, 2144, 2146, 2424, 2440, 3026, 3036, 3304, 4127, 4130, 4133, 4302.			<b>796109</b> Carburetor (Nikki Carburetor) (Used After Code Date 08051300). Used on Type No(s). 0114, 0119, 0120, 0121, 0125, 0126, 0127, 0128, 0131, 0136, 0139, 0168, 0172, 0181, 0192, 0193, 0199, 0292, 0293, 0294, 0297, 0299, 0300, 0424, 0559, 0720, 0806, 0814.
		<b>699458</b> Jet-Main (High Altitude) (Used Before Code Date 08051400). Used on Type No(s). 0114, 0119, 0120, 0121, 0125, 0126, 0127, 0128, 0131, 0136, 0139, 0168, 0172, 0181, 0192, 0193, 0199, 0292, 0293, 0294, 0297, 0299, 0300, 0424, 0559, 0720, 0806, 0814.			<b>----- Note -----</b> <b>796109</b> Carburetor (Nikki Carburetor) (Used After Code Date 09012400). Used on Type No(s). 0026B1, 0026E1, 0036B1, 0036E1, 0112, 0113, 0115, 0116, 0123, 0130, 0132, 0133, 0134, 0135, 0138, 0140, 0142, 0151, 0165, 0166, 0167, 0191, 0196, 0200, 0201, 0253, 0258, 0263, 0290.			<b>794572</b> Carburetor (Nikki Carburetor) (Used Before Code Date 08051400). Used on Type No(s). 0114, 0119, 0120, 0121, 0125, 0126, 0127, 0128, 0131, 0136, 0139, 0168, 0172, 0181, 0192, 0193, 0199, 0292, 0293, 0294, 0297, 0299, 0300, 0424, 0559, 0720, 0806, 0814.
		<b>790890</b> Jet-Main (High Altitude) (Used After Code Date 08042700). Used on Type No(s). 0026G1, 0036G1.			0135, 0138, 0140, 0142, 0151, 0165, 0166, 0167, 0191, 0196, 0200, 0201, 0253, 0258, 0263, 0290.			<b>796109</b> Carburetor (Nikki Carburetor) (Used After Code Date 08042700). Used on Type No(s). 0026G1, 0036G1.
		<b>699458</b> Jet-Main (High Altitude) (Used Before Code Date 08042800). Used on Type No(s). 0026G1, 0036G1.			<b>794572</b> Carburetor (Nikki Carburetor) (Used Before Code Date 09012500). Used on Type No(s). 0026B1, 0026E1, 0036B1, 0036E1, 0112, 0113, 0115, 0116, 0123, 0130, 0132, 0133, 0134, 0135, 0138, 0140, 0142, 0151, 0165, 0166, 0167, 0191, 0196, 0200, 0201, 0253, 0258, 0263, 0290.			<b>794572</b> Carburetor (Nikki Carburetor) (Used Before Code Date 08042800). Used on Type No(s). 0026G1, 0036G1.
<b>121</b>	<b>697241</b>	Kit-Carburetor Overhaul (Walbro Carburetor)			0026B1, 0026E1, 0036B1, 0036E1, 0112, 0113, 0115, 0116, 0123, 0130, 0132, 0133, 0134, 0135, 0138, 0140, 0142, 0151, 0165, 0166, 0167, 0191, 0196, 0200, 0201, 0253, 0258, 0263, 0290.	<b>127</b>	<b>695005</b>	Plug-Welch (5/16" Diameter) (Walbro)
<b>121A</b>	<b>796184</b>	Kit-Carburetor Overhaul (Nikki Carburetor)				<b>127A</b>	<b>690727</b>	Plug-Welch (Nikki)
						<b>130</b>	<b>691750</b>	Valve-Throttle (Walbro)
						<b>130A</b>	<b>699500</b>	Valve-Throttle (Nikki)
						<b>131</b>	<b>790901</b>	Kit-Throttle Shaft (Walbro)
						<b>131A</b>	<b>699501</b>	Kit-Throttle Shaft (Nikki)

Illustrations cover a range of engines. Parts shown without corresponding text may not be used on your specific engine.  
5164-12 Assemblies include all parts shown in frames. 05/11/2012



# 31G700

REF. NO.	PART NO.	DESCRIPTION	REF. NO.	PART NO.	DESCRIPTION	REF. NO.	PART NO.	DESCRIPTION
<b>304</b>	<b>796416</b>	Housing-Blower (Compatible With Panel Style Filter) (Used After Code Date 04091900). ----- <b>Note</b> ----- <b>796416</b> Housing- Blower (Compatible With Panel Style Filter) (Used After Code Date 08082400). Used on Type No(s). 0720, 0806, 0814.	<b>305B</b>	<b>795891</b>	Screw (Blower Housing To Intake Elbow)	<b>337</b>	<b>491055S</b>	Plug-Spark Used on Type No(s). 0026, 0036, 0112, 0115, 0116, 0125, 0126, 0140, 0146, 0158, 0162, 0165, 0171, 0172, 0174, 0181, 0192, 0199, 0201, 0203, 0235, 0258, 0263, 0290, 0303, 0304, 0559, 0806, 1191, 2146, 3026, 3036, 3304. ----- <b>Note</b> -----
<b>304D</b>	<b>698804</b>	Housing-Blower (Compatible With Panel Style Filter) (Used Before Code Date 04092000). ----- <b>Note</b> ----- <b>699704</b> Housing- Blower (Compatible With Panel Style Filter) (Used Before Code Date 08082500). Used on Type No(s). 0720, 0806, 0814.	<b>305C</b>	<b>799370</b>	Screw (Used On Grommet Style Blower Housing)			<b>691043</b> Plug-Spark Used on Type No(s). 0113, 0114, 0119, 0120, 0121, 0123, 0127, 0128, 0130, 0131, 0132, 0133, 0134, 0135, 0136, 0138, 0143, 0144, 0147, 0150, 0151, 0154, 0155, 0156, 0157, 0160, 0166, 0167, 0168, 0169, 0175, 0191, 0193, 0196, 0253, 0292, 0293, 0294, 0297, 0299, 1583, 1597, 2143, 2144, 4127, 4130, 4133.
<b>304E</b>	<b>797900</b>	Housing-Blower (Compatible With Canister Style Filter) Used on Type No(s). 0148, 0150, 0153, 0155, 0157, 0158, 0159, 0160, 0161, 0162, 0171, 0174, 0175, 0194, 0203, 0204, 0235, 0238, 0305, 1583, 1597, 2143, 2144, 2146, 2424, 2440, 3026, 3036, 3304, 4127, 4130, 4133, 4302. ----- <b>Note</b> ----- <b>799777</b> Housing- Blower (Compatible With Rewind Starter) Used on Type No(s). 0154, 0156.	<b>307</b>	<b>691693</b>	Screw (Cylinder Shield)			<b>792015</b> Plug-Spark Used on Type No(s). 0139, 0142, 0148, 0149, 0159, 0161, 0194, 0204, 0238, 0300, 0305, 0424, 2424. <b>793541</b> Plug-Spark Used on Type No(s). 0153, 0200, 0302, 0720, 1440, 2440, 4302.
			<b>309</b>	<b>693551</b>	Motor-Starter ----- <b>Note</b> ----- <b>693552</b> Motor-Starter Used on Type No(s). 0153, 0155, 0169, 0200, 0302, 4302.	<b>344</b>	<b>693675</b>	Screw (Cable Clamp)
			<b>310</b>	<b>690323</b>	Screw (Starter Motor) ----- <b>Note</b> ----- <b>691263</b> Screw (Starter Motor) Used on Type No(s). 0153, 0155, 0169, 0200, 0302, 4302.	<b>346</b>	<b>690661</b>	Screw (Spark Arrestor)
			<b>311</b>	<b>497608</b>	Brush Set			
			<b>324</b>	<b>796308</b>	Screen-Rotating (Used After Code Date 07040800).			
			<b>333</b>	<b>799650</b>	Armature-Magneto			
			<b>334</b>	<b>691061</b>	Screw (Magneto Armature)			
<b>305</b>	<b>697102</b>	Screw (Blower Housing)						
<b>305A</b>	<b>793376</b>	Screw (Used On Non-Grommet Style Blower Housing)						

**Illustrations cover a range of engines. Parts shown without corresponding text may not be used on your specific engine.**  
**5164-14** Assemblies include all parts shown in frames. **05/11/2012**

REF. NO.	PART NO.	DESCRIPTION	REF. NO.	PART NO.	DESCRIPTION	REF. NO.	PART NO.	DESCRIPTION
356B	697089	Wire-Stop	445B	796031	Filter-Air Cleaner Cartridge (Canister Style)	474C	696457	Alternator (5/9 Amp. Regulated Or Tri Circuit)
357	691483	Key-Pulley			Used on Type No(s). 0148, 0150, 0153, 0154, 0155, 0156, 0157, 0158, 0159, 0160, 0161, 0162, 0171, 0175, 0235, 0238, 1583, 1597, 2143, 2144, 2146, 2424, 2440, 3026, 3036, 3304, 4127, 4130, 4133, 4302.			Used on Type No(s). 0026, 0036, 0112, 0113, 0114, 0115, 0116, 0121, 0123, 0125, 0126, 0127, 0130, 0131, 0132, 0133, 0134, 0135, 0138, 0140, 0142, 0143, 0144, 0146, 0148, 0155, 0157, 0158, 0159, 0160, 0161, 0162, 0166, 0167, 0168, 0169, 0171, 0174, 0175, 0191, 0194, 0196, 0203, 0204, 0235, 0238, 0293, 0300, 0303, 0304, 0305, 0720, 0814, 1440, 2143, 2144, 2146, 2440, 3026, 3036, 3304, 4127, 4130, 4133.
358	796187	Gasket Set-Engine						
363	19203	Puller-Flywheel						
383	89838s	Wrench-Spark Plug	455	695113	Cup-Flywheel			
385	694476	Screw (Fuel Pump)	456	695128	Plate-Pawl Friction			
385A	690297	Screw (Fuel Pump)	459	281505s	Pawl-Ratchet			
387	697090	Pump-Fuel (Includes Mounting Bracket) (Used Before Code Date 08082500).	462	691261	Washer (Starter Cable)			
387A	808656	Pump-Fuel (Used After Code Date 08082400).	474A	696578	Alternator (DC Only)			
404	691691	Washer (Governor Crank)			Used on Type No(s). 0153, 0200, 0302, 4302.			
415	794903	Plug (Square Head)	474B	696459	Alternator (Dual Circuit)			
415A	794129	Plug (Cover/Retainer) (Used After Code Date 07040800).			Used on Type No(s). 0119, 0128, 0136, 0139, 0147, 0149, 0150, 0151, 0154, 0156, 0165, 0172, 0181, 0193, 0199, 0253, 0258, 0263, 0290, 0292, 0294, 0297, 0299, 0424, 0559, 0806, 1191, 1413, 1583, 1597, 2424.	474D	696458	Alternator (10-16 Amp. Regulated) (Used on Type No(s). 0120, 0192, 0201.
431	697122	Elbow-Intake				501A	794360	Regulator (5/9 Amp.)
431B	797901	Elbow-Intake (Used on Type No(s). 0148, 0150, 0153, 0154, 0155, 0156, 0157, 0158, 0159, 0160, 0161, 0162, 0171, 0174, 0175, 0194, 0203, 0204, 0235, 0238, 0305, 1583, 1597, 2143, 2144, 2146, 2424, 2440, 3026, 3036, 3304, 4127, 4130, 4133, 4302.				501D	797375	Regulator (10-16 Amp.)
445	797008	Filter-Air Cleaner Cartridge (Standard-Panel Style)						
		----- Note ----- 795115 Filter-Air Cleaner Cartridge (Premium-Panel Style)						

*Illustrations cover a range of engines. Parts shown without corresponding text may not be used on your specific engine.*  
**5164-15** Assemblies include all parts shown in frames. **05/11/2012**

# 31G700

REF. NO.	PART NO.	DESCRIPTION	REF. NO.	PART NO.	DESCRIPTION	REF. NO.	PART NO.	DESCRIPTION
503	691532	Strap-Starter	527	698467	Clamp-Tube	676	795036	Deflector-Muffler
505	691251	Nut (Governor Control Lever)	552	697144	Bushing-Governor Crank			Used on Type No(s). 0026, 0036, 0112, 0115, 0125, 0126, 0132, 0134, 0140, 0146, 0150, 0158, 0162, 0201, 0203, 0303, 0304, 2146, 3026, 3036, 3304.
510	693699	Drive-Starter	559	697561	Screw (Remote Choke Stop)	676A	396903	Deflector-Muffler Used on Type No(s). 0135.
512	796530	Hose-Oil Drain	562	691119	Bolt (Governor Control Lever)	677	690661	Screw (Muffler Deflector)
513	692024	Clutch-Drive	563A	799359	Screw (Debris Guard)	689	691855	Spring-Friction
521	690581	Shield-Cable	578	692306	Wire Assembly	691	692407	Seal-Governor Shaft
523	699908	Dipstick	579	691029	Nut (Starter Cable)	697	791680	Screw (Drive Cap)
524	691032	Seal-Dipstick Tube	584	794682	Cover-Breather Passage (Use With Liquid Sealant Reference 850)	718	690959	Pin-Locating
525	697184	Tube-Dipstick Used on Type No(s). 0114, 0119, 0120, 0121, 0123, 0125, 0126, 0127, 0128, 0131, 0136, 0139, 0147, 0148, 0149, 0151, 0154, 0155, 0156, 0165, 0166, 0168, 0169, 0172, 0175, 0181, 0191, 0192, 0193, 0194, 0199, 0204, 0253, 0258, 0263, 0290, 0292, 0293, 0294, 0297, 0299, 0300, 0424, 0559, 0720, 0806, 0814, 1191, 1413, 1440, 1583, 2424, 2440, 4127, 4130.	597	691696	Screw (Pawl Friction Plate)	729	691335	Clip-Wire (Wire Saddle)
			601	791850	Clamp-Hose (Green)	729A	691224	Clip-Wire (Aluminum Coated Steel)
					----- Note ----- 691038 Clamp-Hose (Black)	741	697128	Gear-Timing
			608	695058	Starter-Rewind	750	790832	Screw (Oil Pump Cover)
			613	691416	Screw (Muffler)	757	793242	Link-Counterweight
			613A	691678	Screw (Muffler)	758	793763	Counterweight (Used After Code Date 05100200).
			613B	690297	Screw (Muffler)			----- Note ----- 795903 Counterweight (Used Before Code Date 05100300). Used on Type No(s). 0026, 0140. (Must Use Kit 795903, Includes Sump And Counterweight). 795938 Counterweight (Used Before Code Date 05100300). (Must Use Kit 795938, Includes Sump And Counterweight).
			614	691620	Pin-Cotter			
			616	692012	Crank-Governor			
			617	692138	Seal-O Ring (Intake Manifold)			
			633	699813	Seal-Choke/Throttle Shaft			
			634A	690802	Spring/Seal Assembly (Walbro)			
			634B	698779	Spring/Seal Assembly (Nikki)			
			635	691909	Boot-Spark Plug			
			643	698401	Retainer-Air Filter			
			652	793380	Screw (Support Bracket)			
			654	690958	Nut (Carburetor)			
526A	697088	Screw (Regulator)						
526B	697348	Screw (Regulator)						

Illustrations cover a range of engines. Parts shown without corresponding text may not be used on your specific engine.



REF. NO.	PART NO.	DESCRIPTION	REF. NO.	PART NO.	DESCRIPTION	REF. NO.	PART NO.	DESCRIPTION
759	697392	Pin-Counterweight	847	790442	Dipstick/Tube Assembly	877A	393814	Wire/Connector-Alternator (DC Only)
773	796448	Retainer			Used on Type No(s). 0114, 0119, 0120, 0121, 0123, 0125,	877B	393537	Wire/Connector-Alternator (5/9 Amp. Regulated Or Tri Circuit)
783	693713	Gear-Pinion			0126, 0127, 0128, 0131, 0136, 0139, 0147, 0148, 0149, 0151, 0154, 0155, 0156, 0165, 0166, 0168, 0169, 0172, 0175, 0181, 0191, 0192, 0193, 0194, 0199, 0204, 0253, 0258, 0263, 0290, 0292, 0293, 0294, 0297, 0299, 0300, 0424, 0559, 0720, 0806, 0814, 1191, 1413, 1440, 1583, 1597, 2424, 2440, 4127, 4130.	877C	399916	Wire/Connector-Alternator (10-16 Amp. Regulated)
789	698329	Harness-Wiring			----- Note -----	877D	790544	Wire/Connector-Alternator
789B	692037	Harness-Wiring			790443 Dipstick/Tube Assembly	878	398661	Harness-Alternator (Dual Circuit)
797	693167	Nut (Brush Retainer)			Used on Type No(s). 0026, 0036, 0112, 0113, 0115, 0116, 0130, 0132, 0133, 0134, 0135, 0138, 0140, 0142, 0143, 0144, 0146, 0150, 0153, 0157, 0158, 0159, 0160, 0161, 0162, 0167, 0171, 0174, 0196, 0200, 0201, 0203, 0235, 0238, 0302, 0303, 0304, 0305, 2143, 2144, 2146, 3026, 3036, 3304, 4133, 4302.	878A	691955	Harness-Alternator (Tri Circuit)
801	691283	Cap-Drive				883	692236	Gasket-Exhaust
802	691286	Cap-End				884	691956	Clamp-Muffler
823	698941	Screw (Muffler Adapter)				914	691108	Screw (Rocker Cover)
830	691095	Stud-Rocker Arm				918	791851	Hose-Vacuum
832	790244	Guard-Muffler				943	690589	Seal-O Ring (Oil Pump Cover)
836	691676	Screw (Muffler Guard)				947	694393	Solenoid-Fuel (Walbro)
836A	690367	Screw (Muffler Guard)				947A	695423	Solenoid-Fuel (Nikki)
841	796191	Regulator-Intake Manifold Used on Type No(s). 1191.				949A	799358	Guard-Debris Screen
842	691031	Seal-O Ring (Dipstick Tube)				950	691657	Screw-Float Bowl
						958	698183	Valve-Fuel Shut Off (Plastic)
						964	799159	Cap-Connector
						965	499613	Cover-Oil Pump
						967	697015	Filter-Pre Cleaner
						967B	797704	Filter-Pre Cleaner Used on Type No(s). 4302.
			850	100100	Sealant-Liquid (Rocker Cover Gasket and Breather Gasket) (Used After Code Date 07071800).			
			851	692424	Terminal-Spark Plug			
			852	796192	Seal-O-Ring			
			864	796002	Adapter-Muffler (Length 2.25 Inches)			
			868	690968	Seal-Valve			
			877	393456	Wire/Connector-Alternator (Dual Circuit)			

Illustrations cover a range of engines. Parts shown without corresponding text may not be used on your specific engine.  
5164-17 Assemblies include all parts shown in frames. 05/11/2012

# 31G700

REF. NO.	PART NO.	DESCRIPTION	REF. NO.	PART NO.	DESCRIPTION	REF. NO.	PART NO.	DESCRIPTION
968	698403	Cover-Air Cleaner (Black-Compatible With Panel Style Filter) ----- Note ----- 697446 Cover-Air Cleaner (Red) (Compatible With Panel Style Filter)	1005	796083	Fan-Flywheel ----- Note ----- 796083 Fan-Flywheel (Used After Code Date 07040800). Used on Type No(s). 0026, 0036, 0112, 0113, 0114, 0116, 0119, 0120, 0123, 0151, 0165, 0172, 0181, 0191, 0192, 0193, 0196, 0199. 697111 Fan-Flywheel (Used Before Code Date 04092000). Used on Type No(s). 0026, 0036, 0112, 0113, 0114, 0116, 0119, 0120, 0123, 0151, 0165, 0172, 0181, 0191, 0192, 0193, 0196, 0199.	1023	797421	Cover-Rocker
968B	797902	Cover-Air Cleaner (Black-Compatible With Canister Style Filter) Used on Type No(s). 0148, 0150, 0153, 0154, 0155, 0156, 0157, 0158, 0159, 0160, 0161, 0162, 0171, 0174, 0175, 0194, 0203, 0204, 0235, 0238, 0305, 1583, 1597, 2143, 2144, 2146, 2424, 2440, 3026, 3036, 3304, 4127, 4130, 4133, 4302.	1005A	796201	Fan-Flywheel (Used Before Code Date 07040900 and After Code Date 04091900). Used on Type No(s). 0026, 0036, 0112, 0113, 0114, 0116, 0119, 0120, 0123, 0151, 0165, 0172, 0181, 0191, 0192, 0193, 0196, 0199.	1024A	794644	Pump-Oil
975	495933	Bowl-Float (Walbro)	1005B		Fan-Flywheel (No Longer Available) (See Reference1005A For Service Flywheel Fan).	1026	692003	Rod-Push (Intake) ----- Note ----- 692011 Rod-Push (Exhaust)
975A	699502	Bowl-Float (Nikki)	1017	690770	Screen-Oil Pump (Push In)	1027	492932s	Filter-Oil (Standard) ----- Note ----- 795890 Filter-Oil (Premium)
987	691326	Seal-Throttle Shaft (Walbro)	1019	699459	Kit-Label	1029	691751	Arm-Rocker
987A	698777	Seal-Throttle Shaft (Nikki)	1022	272475S	Gasket-Rocker Cover (Used Before Code Date 07091000). (After Date Code Use Liquid Sealant Reference 850)	1032	491710	Ball-Oil Pump
994	794945	Arrestor-Spark Used on Type No(s). 0140.				1034	690822	Guide-Push Rod
						1036		Label-Emissions (Available From A Briggs & Stratton Authorized Dealer)
						1036A		Label-Emissions (Available From A Briggs & Stratton Authorized Dealer)
						1040B	699852	Plate-Trim
						1044	698139	Screw (Flywheel)
						1051	691265	Ring-Retaining
						1054	280275	Tie-Cable
						1058	276344	Operator's Manual
						1059	698516	Kit-Screw/Washer
						1070	791680	Screw (Flywheel Fan) (Used Before Code Date 07040900).
						1070A	690363	Screw (Flywheel Fan) (Used Before Code Date 08061000 and After Code Date 07040800).
						1090	691293	Retainer-Brush
						1091	691333	Cap-Limiter
						1095	794152	Gasket Set-Valve
						1119	691183	Screw (Alternator)
						1127	695407	Screw (Float Bowl)

Illustrations cover a range of engines. Parts shown without corresponding text may not be used on your specific engine.  
5164-18 Assemblies include all parts shown in frames. 05/11/2012

# 31G700

REF. NO.	PART NO.	DESCRIPTION	REF. NO.	PART NO.	DESCRIPTION	REF. NO.	PART NO.	DESCRIPTION
1139	796449	Washer	1267	697419	Latch-Blower Housing (Used After Code Date 04071900).	1270	793243	Plug-AVS Counterweight
1263	697124	Reed-Breather				1279	691108	Screw (Blower Housing Support)
1264	697104	Screw (Breather Reed)			----- <b>Note</b> -----	1319	794467	Label-Warning
1265	697125	Support-Blower Housing			697662 Latch-Blower Housing (Used Before Code Date 04092000).	1448	690260	Washer (Magneto Armature)
1266	691917	Seal-O Ring (Intake Elbow)						
1266A	697123	Seal-O Ring (Intake Elbow)						

Not for  
Reproduction

Not for  
Reproduction

