



CAMCLOSURE™

Integrated Camera Systems from Pelco

Congratulations on receiving Pelco's Camclosure™ Point of Sale (POS) Display. This display is provided to demonstrate the high quality, compact size, and aesthetic value of Pelco's Camclosure Integrated Camera Systems.

Your Point of Sales Display contains:

- 1 Pre-assembled POS Countertop/Wall Mount Display
 - 1 ICS100 Series Surface Mount Dome
 - 1 ICS150 Series In-ceiling Dome - Includes black and white camera with 6mm lens
 - 1 ICS200 Series Wedge Enclosure
 - 1 ICS300 Series Positionable Enclosure
- 1 Placard - To place on top of demonstration monitor (not included)
- 2 Support brackets

The POS display includes a pre-wired standard resolution black & white camera with 6mm lens, installed in the ICS150 in-ceiling dome. To demonstrate the picture quality of the Camclosure Series, connect the power wires to power and the video OUT connector to the video IN connector of a monitor.

NOTE: Monitor is not included with Point of Sale Display.



C2427M (1/01)

3500 Pelco Way, Clovis | CA 93612-5699 USA | www.pelco.com

North America & Canada (800) 289-9100 or FAX (800) 289-9150

International +1 (559) 292-1981 or FAX +1 (559) 348-1120

POS SETUP

The Camclosure Point of Sale (POS) Display can be used as a freestanding exhibit or directly mounted to a wall.

Freestanding Display

1. Install the two support brackets to the back of the display (refer to Figure 1).
2. Reposition the ICS300 enclosure located on the front of the display (refer to Figure 2). Loosen the locking collar at the base of the ICS300 and reposition the enclosure downward.
3. Pull wiring for power and video.
 - a. Connect the video cable. (Monitor is not supplied.)
 - b. Depending on the input voltage, connect either the 12 VDC or 24 VAC input power wires (refer to Figure 1).

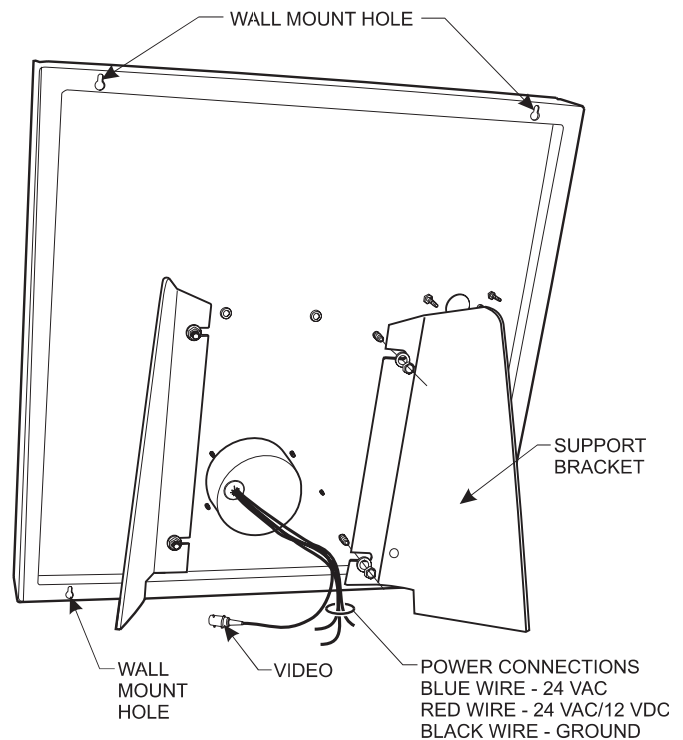


Figure 1. Back View

Wall Mount Display

The mounting surface should be capable of supporting 52 pounds.

1. Prepare mounting surface. Use a minimum of two fasteners (not supplied) of appropriate size to attach the display to the wall (refer to Figure 1).
2. Pull wiring for power and video.
 - a. Connect the video cable. (Monitor is not supplied.)
 - b. Depending on the input voltage, connect either the 12 VDC or 24 VAC input power wires (refer to Figure 1).
3. Reposition the ICS300 enclosure located on the front of the display (refer to Figure 2). Loosen the locking collar at the base of the ICS300 and reposition the enclosure downward.

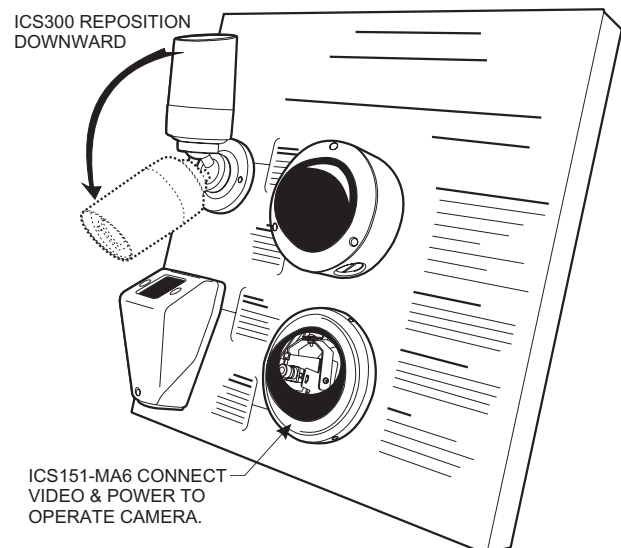


Figure 2. Front View