

**HS8080/HS8134
High Security
Enclosure**

**Installation/
Operation Manual**

C1466M-A (5/98)

CONTENTS

Section	Page
1.0 GENERAL	3
1.1 IMPORTANT SAFEGUARDS AND WARNINGS	3
1.2 UNPACKING INSTRUCTIONS	4
1.3 RECOMMENDED TOOLS	4
2.0 DESCRIPTION	5
2.1 MODELS	5
3.0 INSTALLATION	6
3.1 ENCLOSURE INSTALLATION	6
3.2 CAMERA AND LENS INSTALLATION	6
3.3 TAMPER SWITCH CONNECTION (HS8080 ONLY)	6
4.0 MAINTENANCE	8
5.0 SPECIFICATIONS	9
6.0 WARRANTY AND RETURN INFORMATION	12

LIST OF ILLUSTRATIONS

Figure	Page
1 HS8080/HS8134 Dimension Drawing	9

LIST OF TABLES

Table	Page
A Video Coaxial Cable Wiring Distances	7
B 24 VAC Wiring Distances	7

REVISION HISTORY

Manual #	Date	Comments
C1466M	6/97	Original version.
C1466M-A	5/98	Rev A. Added tamper switch for HS8080 model only. Changed manual pagination.

1.0 GENERAL

1.1 IMPORTANT SAFEGUARDS AND WARNINGS

Prior to installation and use of this product, the following WARNINGS should be observed.

1. Installation and servicing should only be done by qualified service personnel and conform to all local codes.
2. Unless the unit is specifically marked as a NEMA Type 3, 3R, 3S, 4, 4X, 6, or 6P enclosure, it is designed for indoor use only and it must not be installed where exposed to rain and moisture.
3. Only use replacement parts recommended by Pelco.
4. After replacement/repair of this unit's electrical components, conduct a resistance measurement between line and exposed parts to verify the exposed parts have not been connected to line circuitry.
5. The installation method and materials should be capable of supporting four times the weight of the enclosure, pan/tilt, camera and lens combination.

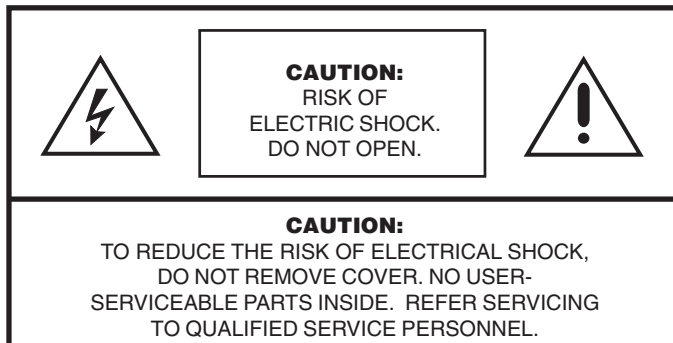
The product and/or manual may bear the following marks:



This symbol indicates that dangerous voltage constituting a risk of electric shock is present within this unit.



This symbol indicates that there are important operating and maintenance instructions in the literature accompanying this unit.



Please thoroughly familiarize yourself with the information in this manual prior to installation and operation.

1.2 UNPACKING INSTRUCTIONS

Unpack and inspect all parts carefully.

The following items are supplied:

- 1 Enclosure
- 1 Installation/Operation Manual (C1466M-A)
- 1 Parts bag (Parts may be used to attach the camera to the mount.)
 - 1 Hex bolt, 1/4-20 x 1/2"
 - 1 Split washer
 - 1 Flat washer

Be sure to save the shipping carton, boxes and inserts. They are the safest material in which to make future shipments.

If an item appears to have been damaged in shipment, replace it properly in its box and contact the factory at 1-800-289-9100 or 1-559-292-1981 for a replacement. (International customers fax 1-559-348-1120 for authorization and instructions.)

If an item needs to be returned to the factory for repair, consult the WARRANTY AND RETURN section of this manual for instructions.

1.3 RECOMMENDED TOOLS

Pelco does not supply the basic tools needed for the installation process. The following tools are recommended.

To install the enclosure and camera:

- Pin-in-hex wrench (Included to remove tamper-resistant screw.)
- Small adjustable wrench
- Phillips screwdriver
- BNC crimp tool
- Wire stripper
- Wire cutter
- Coaxial cable stripper

2.0 DESCRIPTION

The information within this manual covers the installation of the HS8080/HS8134 low-profile high security enclosures.

The HS8080/HS8134 are high security ceiling mount enclosures designed for installations such as prisons, detention cells, etc., requiring maximum protection from vandalism. The HS8080 is constructed from heavy gauge aluminum for moderate damage resistance. The HS8134 is constructed from heavy gauge steel for high damage resistance.

There is no exposed mounting hardware securing the HS8080/HS8134 to its mounting surface. Opening the enclosure can only be accomplished with a specially designed tool (included), eliminating the possibility of the enclosure being opened by unauthorized persons. The HS8080/HS8134 features a removable, adjustable camera cradle for easy positioning. An impact-resistant Lexan[®] window is supplied with the enclosure.

2.1 MODELS

HS8080	High security ceiling mount enclosure constructed from heavy gauge aluminum, designed for installations such as prisons, detention cells, etc., requiring maximum protection from vandalism. Moderate damage resistance.
HS8134	High security ceiling mount enclosure constructed from heavy gauge steel, designed for installations such as prisons, detention cells, etc., requiring maximum protection from vandalism. High damage resistance.

3.0 INSTALLATION

3.1 ENCLOSURE INSTALLATION

To mount the HS8080/HS8134 enclosure, perform the following steps:

1. Determine the location and direction of the enclosure to be mounted.
2. Unlock the cover by unscrewing the tamper-resistant screw. (Pin-in-hex wrench included to remove tamper-resistant screw.) Open the cover of the enclosure.
3. Remove the camera cradle by loosening the two 7/16-inch adjustment nuts that hold the camera cradle to the enclosure.
4. Remove any appropriate knockout. Attach the enclosure to the ceiling using the four mounting holes in the back of the enclosure.

Proceed to Section 3.2, CAMERA AND LENS INSTALLATION.

3.2 CAMERA AND LENS INSTALLATION

To mount the camera/lens directly into the enclosure, perform the following steps:

1. If you haven't removed the camera cradle when you installed the enclosure, remove it now. Loosen the two 7/16-inch adjustment nuts that hold the camera cradle to the enclosure and remove the camera cradle.
2. Mount the camera/lens onto the camera cradle.
3. Route the appropriate cables into the enclosure. Make all necessary electrical connections to the camera. Refer to Table A for the type of video coaxial cable to use. If the camera will use 24 VAC power, refer to Table B to determine the size of wire needed.
4. Reinstall the camera cradle, with camera/lens installed, into the enclosure. Adjust the forward and backward position of the camera/lens to clear the enclosure cover when closed and tighten the two 7/16-inch adjustment nuts. Test close the enclosure to see that the enclosure closes properly.
5. Loosen the two 10-32 phillips head tilt adjustment screws. Adjust the tilt adjustment screw nearest the enclosure hinge to tilt the camera down and the screw closest the front of the enclosure to tilt the camera up. Test close the enclosure to see that the enclosure closes properly.

Proceed to Section 3.3, TAMPER SWITCH CONNECTION (HS8080 ONLY), or close and lock the cover with the tamper-resistant screw.

3.3 TAMPER SWITCH CONNECTION (HS8080 ONLY)

1. Wire the tamper switch. For a normally open circuit, use the "NO" and "common" terminals; for a normally closed circuit, use the "NC" and "common" terminals. Remember that the switch will be pushed down when you close the cover.
2. Close and lock the cover with the tamper-resistant screw.

Table A. Video Coaxial Cable Wiring Distances

Cable Type*	Maximum Distance
RG59	750 ft (229 m)
RG6	1,000 ft (305 m)
RG11	1,500 ft (457m)

* Minimum cable requirements:
 75 ohms
 All-copper center conductor
 All-copper braided shield with 95-percent braid coverage

Table B. 24 VAC Wiring Distances

The following are the recommended maximum distances for 24 VAC applications and are calculated with a 10-percent voltage drop. (Ten percent is generally the maximum allowable voltage drop for AC-powered devices.)

EXAMPLE: *An enclosure that requires 80 vA and is installed 35 feet (10 m) from the transformer would require a minimum wire gauge of 20 Awg.*

NOTE: *Distances are calculated in feet; values in parentheses are meters.*

		Wire Gauge					
		20	18	16	14	12	10
Total vA consumed	10	283 (86)	451 (137)	716 (218)	1142 (348)	1811 (551)	2880 (877)
	20	141 (42)	225 (68)	358 (109)	571 (174)	905 (275)	1440 (438)
	30	94 (28)	150 (45)	238 (72)	380 (115)	603 (183)	960 (292)
	40	70 (21)	112 (34)	179 (54)	285 (86)	452 (137)	720 (219)
	50	56 (17)	90 (27)	143 (43)	228 (69)	362 (110)	576 (175)
	60	47 (14)	75 (22)	119 (36)	190 (57)	301 (91)	480 (146)
	70	40 (12)	64 (19)	102 (31)	163 (49)	258 (78)	411 (125)
	80	35 (10)	56 (17)	89 (27)	142 (43)	226 (68)	360 (109)
	90	31 (9)	50 (15)	79 (24)	126 (38)	201 (61)	320 (97)
	100	28 (8)	45 (13)	71 (21)	114 (34)	181 (55)	288 (87)
	110	25 (7)	41 (12)	65 (19)	103 (31)	164 (49)	261 (79)
	120	23 (7)	37 (11)	59 (17)	95 (28)	150 (45)	240 (73)
	130	21 (6)	34 (10)	55 (16)	87 (26)	139 (42)	221 (67)
	140	20 (6)	32 (9)	51 (15)	81 (24)	129 (39)	205 (62)
	150	18 (5)	30 (9)	47 (14)	76 (23)	120 (36)	192 (58)
	160	17 (5)	28 (8)	44 (13)	71 (21)	113 (34)	180 (54)
	170	16 (4)	26 (7)	42 (12)	67 (20)	106 (32)	169 (51)
	180	15 (4)	25 (7)	39 (11)	63 (19)	100 (30)	160 (48)
	190	14 (4)	23 (7)	37 (11)	60 (18)	95 (28)	151 (46)
	200	14 (4)	22 (6)	35 (10)	57 (17)	90 (27)	144 (43)

Maximum distance from transformer to load

4.0 MAINTENANCE

Regularly scheduled maintenance will prolong the operational life and appearance of the enclosure. Clean the outer surface of the enclosure and the inner surface of the viewing window with a nonabrasive cleaning cloth and antistatic cleaner that is safe for use on acrylic plastic. Do not use kerosene or similar substances that may damage the surface.

5.0 SPECIFICATIONS

GENERAL

Environment: Indoor (Usable outdoors under cover; that is, such as parking garages)

Operating Range: 32° to 120°F (0° to 49°C)

Weight	Unit	Shipping
HS8080:	2.65 lb (1.20 kg)	3 lb (1.35 kg)
HS8134:	4.15 lb (1.88 kg)	5 lb (2.27 kg)

Dimensions: See Figure 1

Rating: NEMA 1

MECHANICAL

Construction
HS8080: 0.078-inch (0.20 cm) aluminum
0.25-inch (0.63 cm) Lexan® viewing window
HS8134: 0.134-inch (0.34 cm) steel
0.50-inch (1.27 cm) Lexan® viewing window

Finish: Gray polyester powder coat

Enclosure
Mounting: Four 0.25-inch (0.63 cm) holes on rear surface

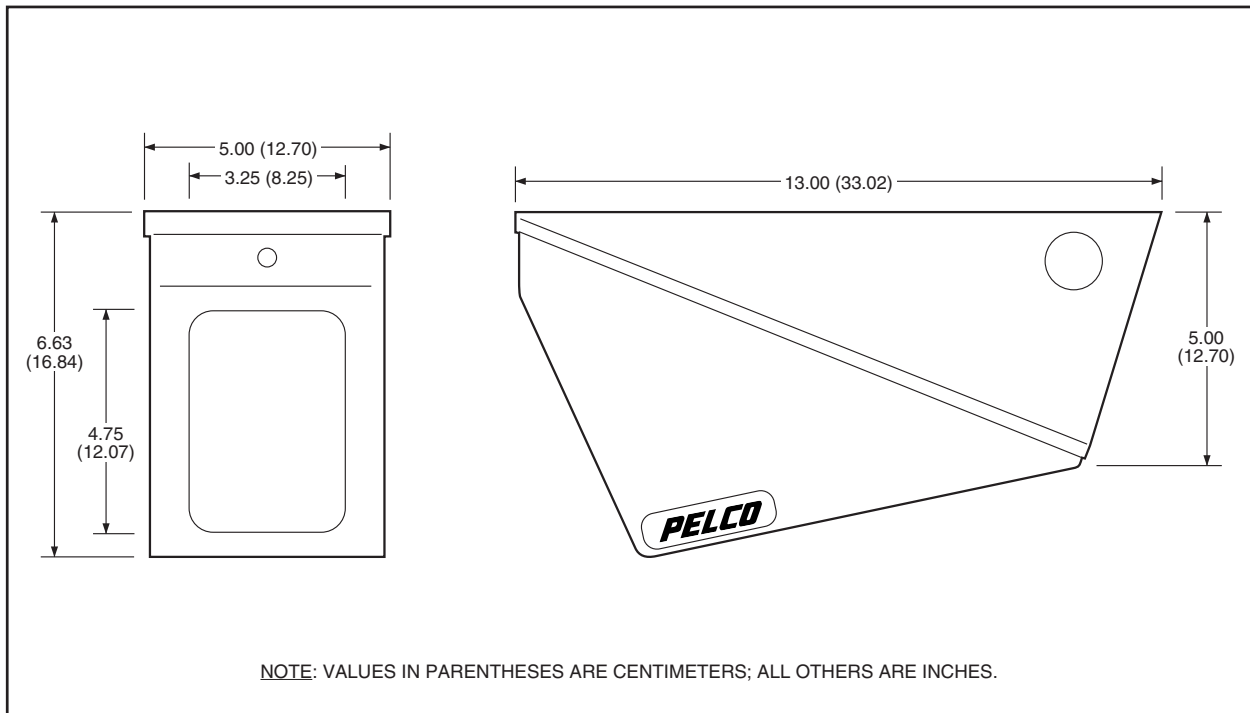


Figure 1. HS8080/HS8134 Dimension Drawing

Max. Camera/
Lens Size: 3.5" H x 9.75" L x 3.0" W (8.89 x 24.77 x 7.62 cm)*
* Dimensions include BNC connector
Length may vary if width and height of camera and lens are different.

Camera Mounting: Removable, adjustable camera cradle

Lock: Tamper-resistant 8-32 screw
(Pin-in-hex wrench included to remove tamper-resistant screw.)

Tamper Switch: Plunger-type door switch with "pull-to-cheat" feature. N.O./N.C. contacts clearly marked on body of switch.

ELECTRICAL

Cable Entry: One cable knockout hole on flat mounting surface.
Two cable knockout holes on side of enclosure.

Tamper Switch: 1/4" (.63 cm) quick disconnect. N.O./N.C. clearly marked on switch body. 10 A maximum switching current. 125 V maximum switching voltage.

(Design and specifications are subject to change without notice.)

NOTES

6.0 WARRANTY AND RETURN INFORMATION

WARRANTY

Pelco will repair or replace, without charge, any merchandise proved defective in material or workmanship for a period of one year after the date of shipment.

Exceptions to this warranty are as noted below:

- Five years on FT/FR8000 Series fiber optic products.
- Three years on Genex® Series products (multiplexers, server, and keyboard).
- Three years on Camclosure® and fixed camera models, except the CC3701H-2, CC3701H-2X, CC3751H-2, CC3651H-2X, MC3651H-2, and MC3651H-2X camera models, which have a five-year warranty.
- Two years on standard motorized or fixed focal length lenses.
- Two years on Legacy®, CM6700/CM6800/CM9700 Series matrix, and DF5/DF8 Series fixed dome products.
- Two years on Spectra®, Esprit®, ExSite™, and PS20 scanners, including when used in continuous motion applications.
- Two years on Esprit® and WW5700 Series window wiper (excluding wiper blades).
- Eighteen months on DX Series digital video recorders, NVR300 Series network video recorders, and Endura™ Series distributed network-based video products.
- One year (except video heads) on video cassette recorders (VCRs). Video heads will be covered for a period of six months.
- Six months on all pan and tilts, scanners or preset lenses used in continuous motion applications (that is, preset scan, tour and auto scan modes).

Pelco will warrant all replacement parts and repairs for 90 days from the date of Pelco shipment. All goods requiring warranty repair shall be sent freight prepaid to Pelco, Clovis, California. Repairs made necessary by reason of misuse, alteration, normal wear, or accident are not covered under this warranty.

Pelco assumes no risk and shall be subject to no liability for damages or loss resulting from the specific use or application made of the Products. Pelco's liability for any claim, whether based on breach of contract, negligence, infringement of any rights of any party or product liability, relating to the Products shall not exceed the price paid by the Dealer to Pelco for such Products. In no event will Pelco be liable for any special, incidental or consequential damages (including loss of use, loss of profit and claims of third parties) however caused, whether by the negligence of Pelco or otherwise.

The above warranty provides the Dealer with specific legal rights. The Dealer may also have additional rights, which are subject to variation from state to state.

If a warranty repair is required, the Dealer must contact Pelco at (800) 289-9100 or (559) 292-1981 to obtain a Repair Authorization number (RA), and provide the following information:

1. Model and serial number
2. Date of shipment, P.O. number, Sales Order number, or Pelco invoice number
3. Details of the defect or problem

If there is a dispute regarding the warranty of a product which does not fall under the warranty conditions stated above, please include a written explanation with the product when returned. Method of return shipment shall be the same or equal to the method by which the item was received by Pelco.

RETURNS

In order to expedite parts returned to the factory for repair or credit, please call the factory at (800) 289-9100 or (559) 292-1981 to obtain an authorization number (CA number if returned for credit, and RA number if returned for repair).

All merchandise returned for credit may be subject to a 20% restocking and refurbishing charge. Goods returned for repair or credit should be clearly identified with the assigned CA or RA number and freight should be prepaid. Ship to the appropriate address below.

If you are located within the continental U.S., Alaska, Hawaii or Puerto Rico, send goods to:

Service Department
Pelco
3500 Pelco Way
Clovis, CA 93612-5699

If you are located outside the continental U.S., Alaska, Hawaii or Puerto Rico and are instructed to return goods to the USA, you may do one of the following:

If the goods are to be sent by a COURIER SERVICE, send the goods to:

Pelco
3500 Pelco Way
Clovis, CA 93612-5699 USA

If the goods are to be sent by a FREIGHT FORWARDER, send the goods to:

Pelco c/o Expeditors
473 Eccles Avenue
South San Francisco, CA 94080 USA
Phone: 650-737-1700
Fax: 650-737-0933

Pelco, the Pelco logo, Camclosure, Esprit, Genex, Legacy, and Spectra are registered trademarks of Pelco.
Endura and ExSite are trademarks of Pelco.

© Copyright 1998, Pelco. All rights reserved.