



## C225M-C (11/04) Esprit® Mounts EWM, EPM, ECM100, and EPP

### Important Safety Instructions

1. Installation and servicing should only be done by qualified service personnel and conform to all local codes.
2. Use only installation methods and materials capable of supporting four times the maximum specified load.
3. Use stainless steel hardware to fasten the mount to outdoor surfaces.
4. To prevent damage from water leakage when installing a mount outdoors on a roof or wall, apply sealant around the bolt holes between the mount and mounting surface.

### Description

This manual contains the installation instructions for the following Esprit® mounts:

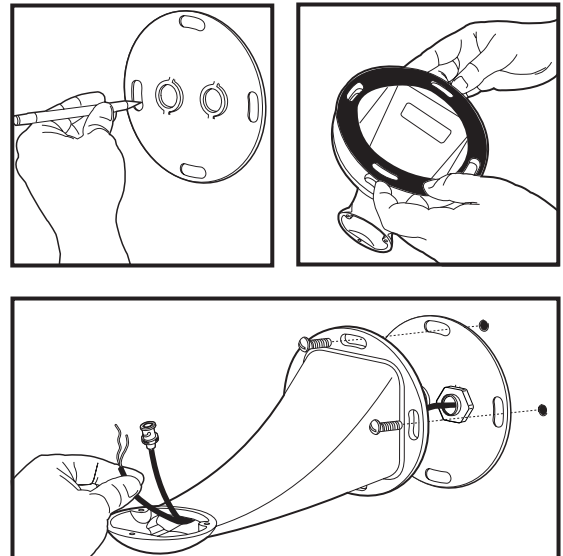
EWM Wall Mount	Use to mount an Esprit system directly to a load bearing vertical surface.
EPM Pole Mount	Use in conjunction with the EWM to mount an Esprit system to a pole.
ECM100 Corner Mount	Use in conjunction with the EWM to mount an Esprit system to a building corner.
EPP Pedestal Adapter	Use to mount an Esprit system directly to a pedestal mount.

### Installation

#### EWM ESPRIT WALL MOUNT

1. Remove the knockouts from the conduit plate. Use the plate as a template. Mark the conduit and fastener positions onto the mounting surface. Prepare the surface.
2. Attach the gasket to the end of the EWM.
3. Install the conduit fittings (not supplied). *If conduit is not used, install sealing glands* (supplied) on the conduit plate. Thread the wiring/cabling through the conduit plate/sealing glands and EWM wall mount. Attach the EWM to the mounting surface with the appropriate hardware (not supplied). Refer to the manual supplied with the Esprit system to complete the installation.

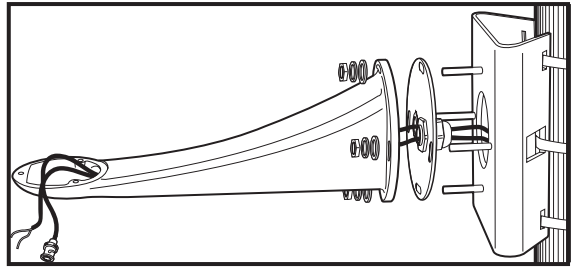
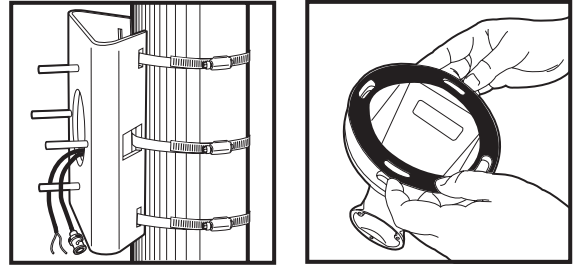
 **NOTE:** Refer to Tables A and B for wiring distances.



## EPM ESPRIT POLE MOUNT

1. Thread wiring/cabling through the hole in the pole mount and attach the mount to the pole with three stainless steel straps (supplied).
2. Attach the gasket to the end of the EWM.
3. Remove the knockouts from the conduit plate. Install the conduit fittings (not supplied). *If conduit is not used, install sealing glands* (supplied) on the conduit plate. Route the wiring/cabling through the conduit plate/sealing glands and EWM wall mount. Secure the EWM and conduit plate to the pole mount with the supplied hardware. Refer to the manual supplied with the Esprit system to complete the installation.

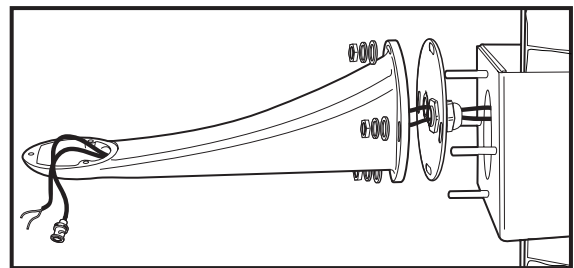
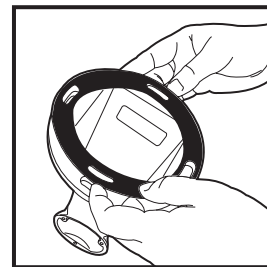
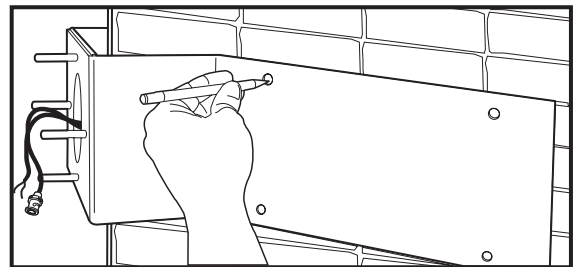
 **NOTE:** Refer to Tables A and B for wiring distances.



## ECM100 ESPRIT CORNER MOUNT

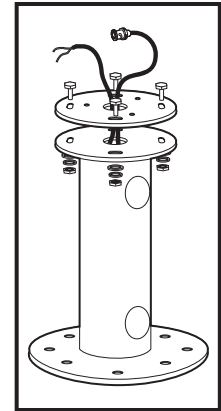
1. Use the ECM100 mount as a template and mark the fastener positions onto the mounting surface. Prepare the surface. Route the wiring/cabling through the ECM100. Attach the ECM100 to the mounting surface with the appropriate hardware (not supplied).
2. Attach the gasket to the end of the EWM.
3. Remove the knockouts from the conduit plate. Install the conduit fittings (not supplied). *If conduit is not used, install sealing glands* (supplied) on the conduit plate. Route the wiring/cabling through the conduit plate/sealing glands and EWM wall mount. Secure the mount to the ECM100 with the supplied hardware. Refer to the manual supplied with the Esprit system to completed the installation.

 **NOTE:** Refer to Tables A and B for wiring distances.



## EPP ESPRIT PEDESTAL ADAPTER

1. Route the wiring/cabling through the pedestal mount and the EPP pedestal adapter.
2. Attach the pedestal adapter to the mount with appropriate hardware (not supplied).
3. Complete the Esprit system installation following the instructions supplied with the equipment.



**Table A.** Video Coaxial Cable Requirements

Cable Type*	Maximum Distance
RG59/U	750 ft (229 m)
RG6/U	1,000 ft (305 m)
RG11/U	1,500 ft (457 m)

\*Cable requirements:  
 75-ohm impedance  
 All-copper center conductor  
 All-copper braided shield with 95% braid coverage

The following are the recommended maximum distances for 24 VAC applications and are calculated with a 10 percent voltage drop. (Ten percent is generally the maximum allowable voltage drop for AC-powered devices.)

**Table B.** 24 VAC Wiring Distances

Total VA	Wire Gauge					
	20 (0.5 mm <sup>2</sup> )	18 (1.0 mm <sup>2</sup> )	16 (1.5 mm <sup>2</sup> )	14 (2.5 mm <sup>2</sup> )	12 (4.0 mm <sup>2</sup> )	10 (6.0 mm <sup>2</sup> )
10	283 (86)	451 (137)	716 (218)	1142 (348)	1811 (551)	2880 (877)
20	141 (42)	225 (68)	358 (109)	571 (174)	905 (275)	1440 (438)
30	94 (28)	150 (45)	238 (72)	380 (115)	603 (183)	960 (292)
40	70 (21)	112 (34)	179 (54)	285 (86)	452 (137)	720 (219)
50	56 (17)	90 (27)	143 (43)	228 (69)	362 (110)	576 (175)

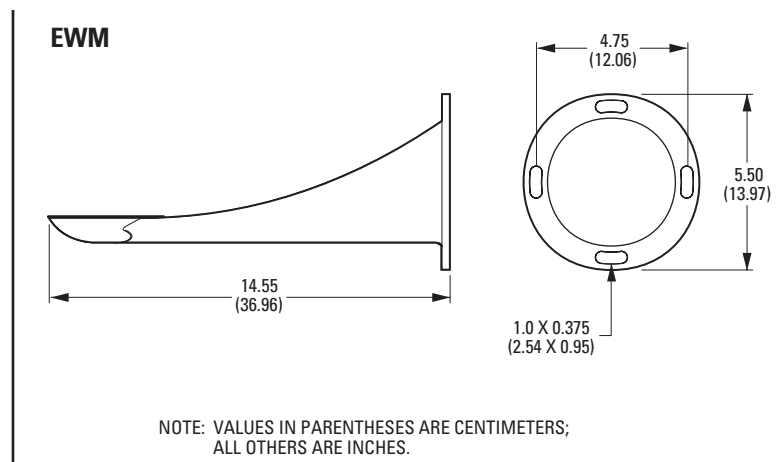
Maximum distance from transformer to load

**i EXAMPLE:** An enclosure that requires 80 VA and is installed 35 feet (10 m) from the transformer would require a minimum wire gauge of 20 AWG.

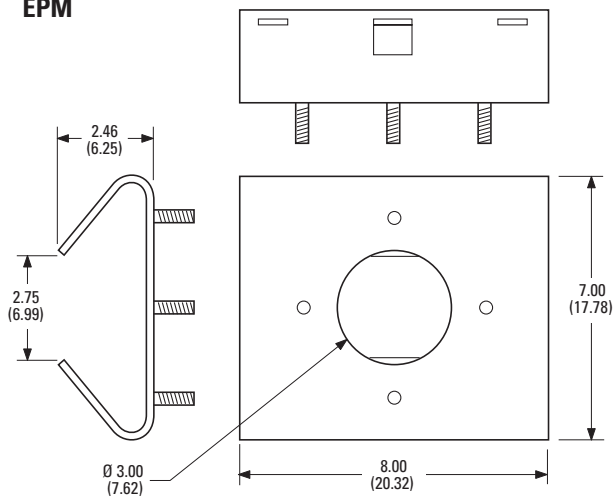
**NOTE:** Wire gauges are standard AWG or metric sizes. Distances are calculated in feet; values in parentheses are meters.

## Specifications

Construction	Aluminum
Finish	Gray polyester powder coat
Dimensions	See dimension drawings
Maximum Load	
EWM	30 lb (13.6 kg)
EPM	100 lb (45.4 kg)
ECM100	75 lb (34 kg)
EPP	Not applicable
Weight	
EWM	1.5 lb (0.7 kg)
EPM	2.2 lb (1.0 kg)
ECM100	3.0 lb (1.4 kg)
EPP	0.6 lb (0.3 kg)

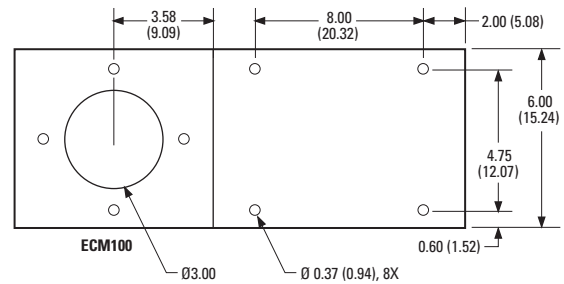


## EPM

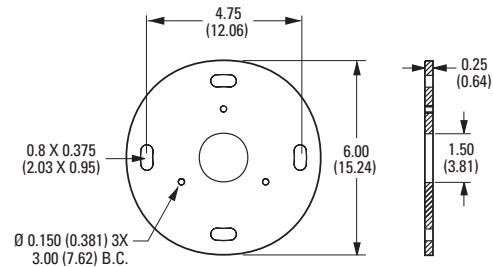


NOTE: VALUES IN PARENTHESES ARE CENTIMETERS;  
ALL OTHERS ARE INCHES.

## ECM100



## EPP



## PRODUCT WARRANTY AND RETURN INFORMATION

### WARRANTY

Pelco will repair or replace, without charge, any merchandise proved defective in material or workmanship **for a period of one year** after the date of shipment.

Exceptions to this warranty are as noted below:

- Five years on FT/FR8000 Series fiber optic products and the following fixed camera models: CC3701H-2, CC3701H-2X, CC3751H-2, CC3651H-2X, MC3651H-2, and CC3651H-2X.
- Three years on all other fixed camera models (including Camclosure® Integrated Camera Systems) and Genex® Series (multiplexers, server, and keyboard).
- Two years on all standard motorized or fixed focal length lenses.
- Two years on Legacy®, CM6700/CM6800/CM8500/CM9500/CM9700 Series Matrix, DF5 and DF8 Series Fixed Dome products.
- Two years on Spectra®, Esprit®, and PS20 Scanners, including when used in continuous motion applications.
- Two years on Esprit® and WW5700 Series window wiper (excluding wiper blades).
- Eighteen months on DX Series digital video recorders and NVR300 Series network video recorders.
- One year (except video heads) on video cassette recorders (VCRs). Video heads will be covered for a period of six months.
- Six months on all pan and tilts, scanners or preset lenses used in continuous motion applications (that is, preset scan, tour and auto scan modes).

Pelco will warrant all replacement parts and repairs for 90 days from the date of Pelco shipment. All goods requiring warranty repair shall be sent freight prepaid to Pelco, Clovis, California. Repairs made necessary by reason of misuse, alteration, normal wear, or accident are not covered under this warranty.

Pelco assumes no risk and shall be subject to no liability for damages or loss resulting from the specific use or application made of the Products. Pelco's liability for any claim, whether based on breach of contract, negligence, infringement of any rights of any party or product liability, relating to the Products shall not exceed the price paid by the Dealer to Pelco for such Products. In no event will Pelco be liable for any special, incidental or consequential damages (including loss of use, loss of profit and claims of third parties) however caused, whether by the negligence of Pelco or otherwise.

The above warranty provides the Dealer with specific legal rights. The Dealer may also have additional rights, which are subject to variation from state to state.

If a warranty repair is required, the Dealer must contact Pelco at (800) 289-9100 or (559) 292-1981 to obtain a Repair Authorization number (RA), and provide the following information:

1. Model and serial number
2. Date of shipment, P.O. number, Sales Order number, or Pelco invoice number
3. Details of the defect or problem

If there is a dispute regarding the warranty of a product which does not fall under the warranty conditions stated above, please include a written explanation with the product when returned.

Method of return shipment shall be the same or equal to the method by which the item was received by Pelco.

### RETURNS

In order to expedite parts returned to the factory for repair or credit, please call the factory at (800) 289-9100 or (559) 292-1981 to obtain an authorization number (CA number if returned for credit, and RA number if returned for repair).

All merchandise returned for credit may be subject to a 20% restocking and refurbishing charge.

Goods returned for repair or credit should be clearly identified with the assigned CA or RA number and freight should be prepaid. Ship to the appropriate address below.

*If you are located within the continental U.S., Alaska, Hawaii or Puerto Rico, send goods to:*

Service Department  
Pelco  
3500 Pelco Way  
Clovis, CA 93612-5699

*If you are located outside the continental U.S., Alaska, Hawaii or Puerto Rico and are instructed to return goods to the USA, you may do one of the following:*

If the goods are to be sent by a COURIER SERVICE, send the goods to:

Pelco  
3500 Pelco Way  
Clovis, CA 93612-5699 USA

If the goods are to be sent by a FREIGHT FORWARDER, send the goods to:

Pelco c/o Expeditors  
473 Eccles Avenue  
South San Francisco, CA 94080 USA

Phone: 650-737-1700  
Fax: 650-737-0933

## REVISION HISTORY

Manual #	Date	Comments
C225M	1/99	Original version.
C225M-A	5/00	Added installation instructions for the EWM wall mount, ECM100 corner mount, and the EPA pedestal adapter.
C225M-B	12/00	Added installation instructions for EPP pedestal adapter. Removed references to EPA.
C225M-C	11/04	EWM weight revised due to die-cast manufacturing per ECO #04-9958. Layout updated.