



C413SM (7/99) EH4007/EH4010/EH4014/EH4018 Camera Enclosure

300 W. Pontiac Way,
Clovis, CA 93612-5699
USA

In North America & Canada:
Tel (800) 289-9100
FAX (800) 289-9150
DataFAX (800) 289-9108

International Customers:
Tel (1-559) 292-1981
FAX (1-559) 348-1120
DataFAX (1-559) 292-0435

Pelco Online
<http://www.pelco.com>



MAINTENANCE

This maintenance/service manual provides exploded assembly diagrams and parts lists to order replacement parts for the EH4007, EH4010, EH4014, and EH4018 camera enclosures.

Regularly scheduled maintenance helps prolong the operational life and appearance of the equipment. Clean the window regularly with a mild, nonabrasive detergent in water and a soft cloth to maintain picture clarity.

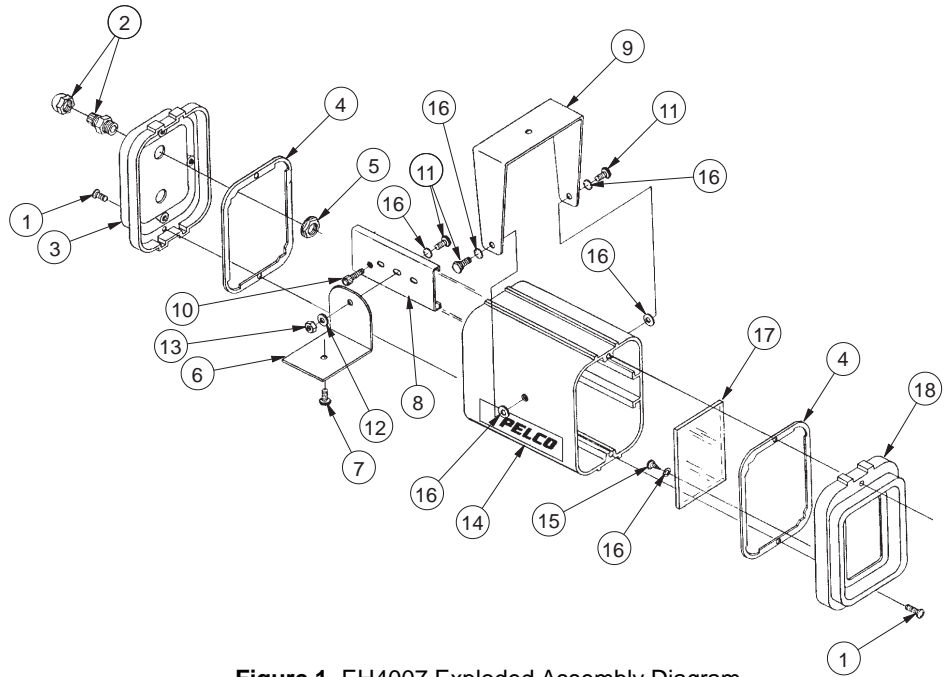


Figure 1. EH4007 Exploded Assembly Diagram

Table A. EH4007 Exploded Assembly Parts List

Item	Qty	Description	Part Number
1	4	Screw, pan head, Phillips, 8-32 x 3/4-inch	ZH8-32X.750SPP
2	2	Gland	EH400010003
3	1	Rear cap	EH400010005
4	2	Front/Rear gasket	EH400010000
5	2	Counter nut	EH400010004
6	1	Camera mount bracket	EH40074003COMP
7	1	Screw, type F, Phillips, 6-32 x 3/8-inch	ZH6-SFX.375SPP
8	1	Sled	EH40074001COMP
9	1	Pan/Tilt bracket	EH40074002COMP
10	1	Screw, hex, 1/4-20 x 5/8-inch	ZH1/4-20X.625CH
11	3	Screw, hex, 1/4-20 x 1/2-inch	ZH1/4-20X.500CH
12	1	Split lock washer	ZA1/4LWSSL
13	1	Nut, hex	ZH1/4-20NUTCH
14	1	7-inch body enclosure	EH40074000COMP
15	4	Screw, type A, Phillips, 8 x 1/2-inch	ZH8-SBTX.500SPP
16	8	Flat washer, 3/16-inch	ZH260X562X65C
17	1	1/4-inch Lexan® window	EH400010009
18	1	Front cap	EH400010006

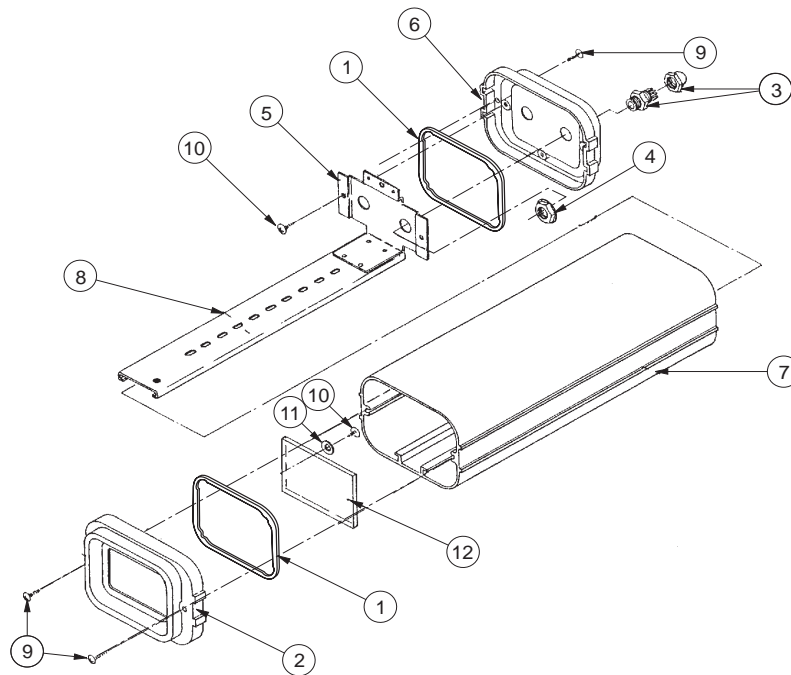


Figure 2. EH4010/EH4014/EH4018 Exploded Assembly Diagram

Table B. EH4010/EH4014/EH4018 Exploded Assembly Parts List

Item	Qty	Description	Part Number
1	2	Front/Rear gasket	EH400010000
2	1	Front cap	EH400010006
3	2	Gland	EH400010003
4	2	Counter nut	EH400010004
5	1	Sled bracket	EH40004007COMP
6	1	Rear cap	EH400010005
7	1	Enclosure body	
		EH4010	EH40104000COMP
		EH4014	EH40144000COMP
		EH4018	EH40184000COMP
8	1	Sled	
		EH4010	EH40104001COMP
		EH4014	EH40144001COMP
		EH4018	EH40184001COMP
9	4	Screw, pan head, Phillips, 8-32 x 3/4-inch	ZH8-32X.750SPP
10	7	Screw, type A, Phillips, 8 x 1/2-inch	ZH8-SBTX.500SPP
11	6	Flat washer, 3/8-inch	ZH260X562X65C
12	1	Window, Lexan®, .125-inch	EH400010009
To mount camera (not shown):			
13	1	Screw, type F, Phillips, 6-32 x 3/8-inch	ZH6-SFX.375PP
To mount enclosure (not shown):			
14	2	Screw, hex, 1/4-20 x 1/2-inch	ZH1/4-20X.500CH
15	2	Flat washer, 1/4-inch	ZH260X526X65C
16	2	Split lock washer, 1/4-inch	ZH1/4LWSSL5

REVISION HISTORY

Manual #	Date	Comments
C413SM	5/99	Original version.
	7/99	Added models EH4014 and EH4018. Incorporated ECR 3776.