



3500 Pelco Way  
Clovis, CA 93612-5699  
USA

In North America & Canada:  
Tel (800) 289-9100  
FAX (800) 289-9150

International Customers:  
Tel +1 (559) 292-1981  
FAX +1 (559) 348-1120

[www.pelco.com](http://www.pelco.com)

## **C2413M (11/99)**

### **E700 Series**

### **Sun Visor/Shroud**

#### **DESCRIPTION**

The E700 Series Sun Shroud provides air space between the shroud and enclosure to protect from the direct rays of the sun. The sun shroud reduces internal air temperature approximately 10° to 15°F (6° to 10°C).

The E700 Series Sun Visor shields the viewing window from direct sunlight.

#### **Models**

E706S	Sun shroud for E706-24 Enclosure
E706SS	Sun shroud for E706-24S Enclosure, stainless steel
E706V	Sun visor for E706-16/E706-24 Enclosure
E706VS	Sun visor for E706-16/E706-24S Enclosure, stainless steel
E708S	Sun shroud for E708-24 Enclosure
E708SS	Sun shroud for E708-24S Enclosure, stainless steel
E708V	Sun visor for E708-24 Enclosure
E708VS	Sun visor for E708-24S/24PS Enclosure, stainless steel
E716S	Sun shroud for E706-16 Enclosure
E716SS	Sun shroud for E706-16S Enclosure, stainless steel

#### **INSTALLATION**

##### **Sun Visor**

To install the sun visor, perform the following steps:

1. Remove the end cap from the front of the enclosure and detach the safety wire from the end cap (see Figure 1).
2. Attach the sun visor to the end cap with the three 4-40 x .250 machine screws and lock washers provided, making certain that the safety wire is reattached to the end cap.
3. Replace the end cap.
4. Insert the spring clip fasteners in the holes provided on each side of the sun visor and lock securely.

##### **Sun Shroud**

To install the sun shroud, perform the following steps:

1. Insert the mounting straps through the holes inside the roof of the sun shroud (see Figure 1).
2. Align the sun shroud so that the cutouts allow access to the enclosure's latches.
3. Fasten the mounting straps securely around enclosure.

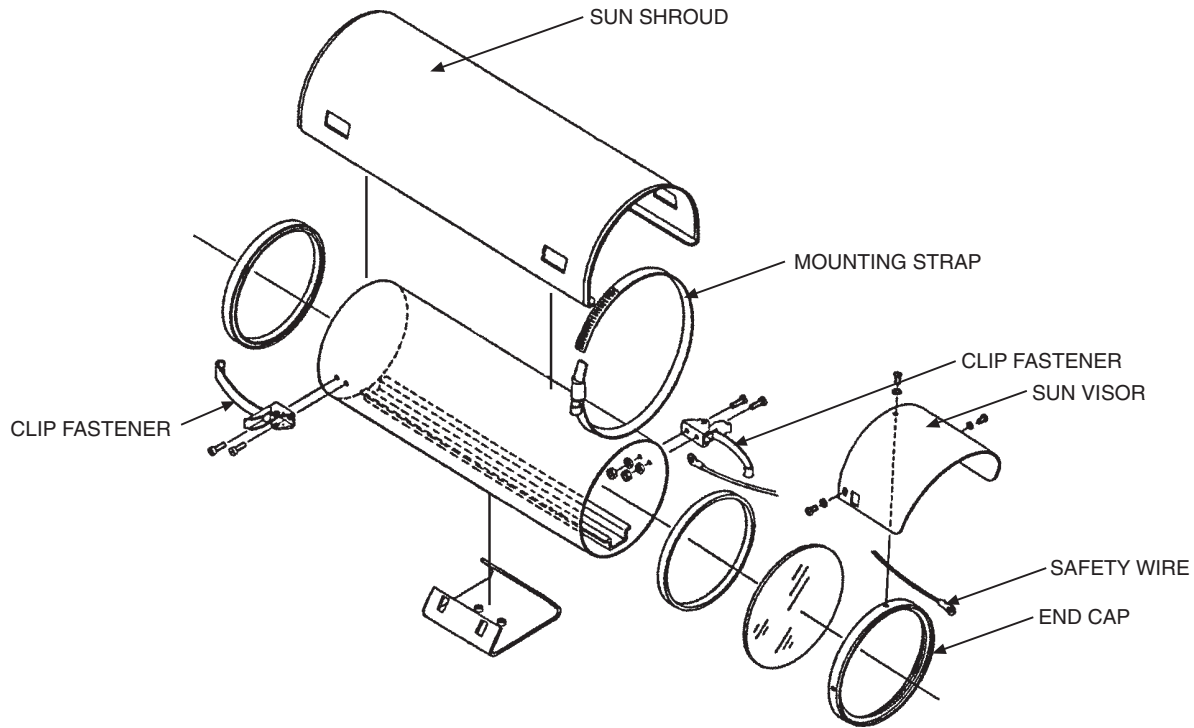


Figure 1. Sun Visor/Shroud Installation

### PRODUCT WARRANTY AND RETURN INFORMATION

#### WARRANTY

Pelco will repair or replace, without charge, any merchandise proved defective in material or workmanship **for a period of one year** after the date of shipment.

Exceptions to this warranty are as noted below:

- Five years on FT/FR8000 Series fiber optic products.
- Three years on Genex® Series products (multiplexers, server, and keyboard).
- Three years on Camclosure® and fixed camera models, except the CC3701H-2, CC3701H-2X, CC3751H-2, CC3651H-2X, MC3651H-2, and MC3651H-2X camera models, which have a five-year warranty.
- Two years on standard motorized or fixed focal length lenses.
- Two years on Legacy®, CM6700/CM6800/CM9700 Series matrix, and DF5/DF8 Series fixed dome products.
- Two years on Spectra®, Esprit®, ExSite™, and PS20 scanners, including when used in continuous motion applications.
- Two years on Esprit® and WW5700 Series window wiper (excluding wiper blades).
- Eighteen months on DX Series digital video recorders, NVR300 Series network video recorders, and Endura™ Series distributed network-based video products.
- One year (except video heads) on video cassette recorders (VCRs). Video heads will be covered for a period of six months.
- Six months on all pan and tilts, scanners or preset lenses used in continuous motion applications (that is, preset scan, tour and auto scan modes).

Pelco will warrant all replacement parts and repairs for 90 days from the date of Pelco shipment. All goods requiring warranty repair shall be sent freight prepaid to Pelco, Clovis, California. Repairs made necessary by reason of misuse, alteration, normal wear, or accident are not covered under this warranty.

Pelco assumes no risk and shall be subject to no liability for damages or loss resulting from the specific use or application made of the Products. Pelco's liability for any claim, whether based on breach of contract, negligence, infringement of any rights of any party or product liability, relating to the Products shall not exceed the price paid by the Dealer to Pelco for such Products. In no event will Pelco be liable for any special, incidental or consequential damages (including loss of use, loss of profit and claims of third parties) however caused, whether by the negligence of Pelco or otherwise.

The above warranty provides the Dealer with specific legal rights. The Dealer may also have additional rights, which are subject to variation from state to state.

If a warranty repair is required, the Dealer must contact Pelco at (800) 289-9100 or (559) 292-1981 to obtain a Repair Authorization number (RA), and provide the following information:

1. Model and serial number
2. Date of shipment, P.O. number, Sales Order number, or Pelco invoice number
3. Details of the defect or problem

If there is a dispute regarding the warranty of a product which does not fall under the warranty conditions stated above, please include a written explanation with the product when returned.

Method of return shipment shall be the same or equal to the method by which the item was received by Pelco.

#### RETURNS

In order to expedite parts returned to the factory for repair or credit, please call the factory at (800) 289-9100 or (559) 292-1981 to obtain an authorization number (CA number if returned for credit, and RA number if returned for repair).

All merchandise returned for credit may be subject to a 20% restocking and refurbishing charge.

Goods returned for repair or credit should be clearly identified with the assigned CA or RA number and freight should be prepaid. Ship to the appropriate address below.

*If you are located within the continental U.S., Alaska, Hawaii or Puerto Rico, send goods to:*

Service Department  
Pelco  
3500 Pelco Way  
Clovis, CA 93612-5699

*If you are located outside the continental U.S., Alaska, Hawaii or Puerto Rico and are instructed to return goods to the USA, you may do one of the following:*

If the goods are to be sent by a COURIER SERVICE, send the goods to:

Pelco  
3500 Pelco Way  
Clovis, CA 93612-5699 USA

If the goods are to be sent by a FREIGHT FORWARDER, send the goods to:

Pelco c/o Expeditors  
473 Eccles Avenue  
South San Francisco, CA 94080 USA  
Phone: 650-737-1700  
Fax: 650-737-0933

### REVISION HISTORY

Manual #	Date	Comments
C2413M	11/99	Original version.