



## C748M-C (11/06) Varifocal Length Lenses

### Important Safety Instructions

Prior to installation and use of this product, the following WARNINGS should be observed.

1. Servicing should be done only by qualified service personnel.
2. Only use replacement parts recommended by Pelco.

Please thoroughly familiarize yourself with the information in this manual prior to installation and operation.

### Description

Lenses in the varifocal category offer a selection of imager format optics in various focal length ranges. These ranges include ultra-wide to wide angle, wide to medium angle, and medium-wide to full telephoto.

The 1/2-inch imager format lenses are available in both C- and CS-type mounts, depending on the model used. A 5-mm spacer (commonly referred to as a C/CS-mount adapter and available from Pelco as the PCMA40 lens adapter) may be used to make a C-type lens compatible with a CS-type camera. However, CS-type lenses are not compatible with C-mount cameras. The CS lenses require fewer glass elements to focus at a shorter distance, while not affecting picture quality. The 1/3-inch imager format lenses come with a CS-type mount only.

All varifocal lenses feature high resolution power in a compact body.

The VA Series lens has a manual iris, manual focus, and manual zoom. The VD Series lens has a direct-drive auto iris, manual focus, and manual zoom. The VV Series lens has a video-drive auto iris. Both the VD and VV Series have an industry-standard, square, four-pin connector that plugs directly into the camera receptacle. In addition, all auto iris lenses include a spot filter.

### MODELS

Varifocal length lenses with manual iris, manual focus, and manual zoom

|           |            |           |              |
|-----------|------------|-----------|--------------|
| 12VA4-10  | 13VA1-3    | 13VA3.5-8 | 13VA5-40     |
| 12VA6-13* | 13VA2.5-6  | 13VA3-8   | 13VA5-50     |
|           | 13VA2.8-12 |           | 13VA5.5-82.5 |

Varifocal length lenses with direct-drive auto iris, manual focus, and manual zoom

|           |            |           |              |
|-----------|------------|-----------|--------------|
| 12VD4-10  | 13VD1-3    | 13VD3.5-8 | 13VD5-40     |
| 12VD6-13* | 13VD2.5-6  | 13VD3-8   | 13VD5-50     |
|           | 13VD2.8-12 |           | 13VD5.5-82.5 |

Varifocal length lenses with video-drive auto iris, manual focus, and manual zoom

|           |           |          |
|-----------|-----------|----------|
| 12VV4-10  | 13VV1-3   | 13VV5-50 |
| 12VV6-13* | 13VV2.5-6 | 13VV3-8  |

\*Lenses having a C-type mount

### Installation

Remove the dust cover from the lens. Remove any dust with a soft brush or clean compressed air.

Install the lens by carefully threading it clockwise on the mount of the CCTV camera until fully seated. If the lens has a coupling ring, tighten it against the camera. Use a C/CS-mount adapter if attaching a C-type lens to a CS-type camera. The PMCA40 adapter is available from Pelco.

If your lens has a direct- or video-drive auto iris, plug the electrical connector directly into the camera's DC-drive or video-drive socket, whichever applies.

Follow the camera operating instructions for iris and focus adjustments.

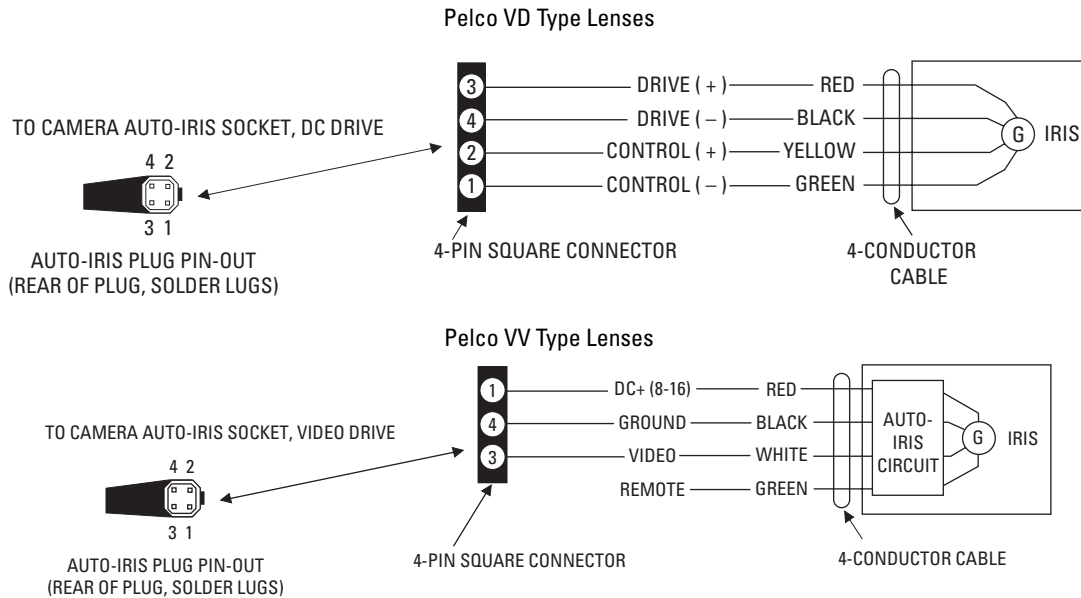
## Routine Servicing

Never touch the surface of the lens.

Remove dust from the lens using a soft brush or clean compressed air. Avoid touching the lens surface during handling.

To remove fingerprints or oil stains from the lens surface, use lens cleaning paper or a clean cotton cloth with a little cleaning liquid. Then, wipe off the stains using a light circular motion, starting from the center of the lens surface. Wipe the lens body with a silicon cloth. Do not use any organic solvents such as thinner or benzene.

## Lens and Connector Wiring Diagrams



## Specifications

Technical specifications are available from Pelco by any of the following methods:

- Product Specification Book
- Pelco's B.O.S.S.® Software
- Web Site, Pelco Online at [www.pelco.com](http://www.pelco.com)

*(Design and product specifications subject to change without notice.)*

The materials used in the manufacture of this document and its components are compliant to the requirements of Directive 2002/95/EC.



This equipment contains electrical or electronic components that must be recycled properly to comply with Directive 2002/96/EC of the European Union regarding the disposal of waste electrical and electronic equipment (WEEE). Contact your local dealer for procedures for recycling this equipment.

## REVISION HISTORY

| Manual # | Date  | Comments  |
|----------|-------|---|
| C748M-B  | 11/05 | Added information on VDIR lenses. Reformatted manual. |
| C748M-C  | 11/06 | Removed information on VDIR lenses.                   |

Pelco, the Pelco logo, and B.O.S.S. are registered trademarks of Pelco.

©Copyright 2006, Pelco. All rights reserved.