

OPERATING INSTRUCTIONS

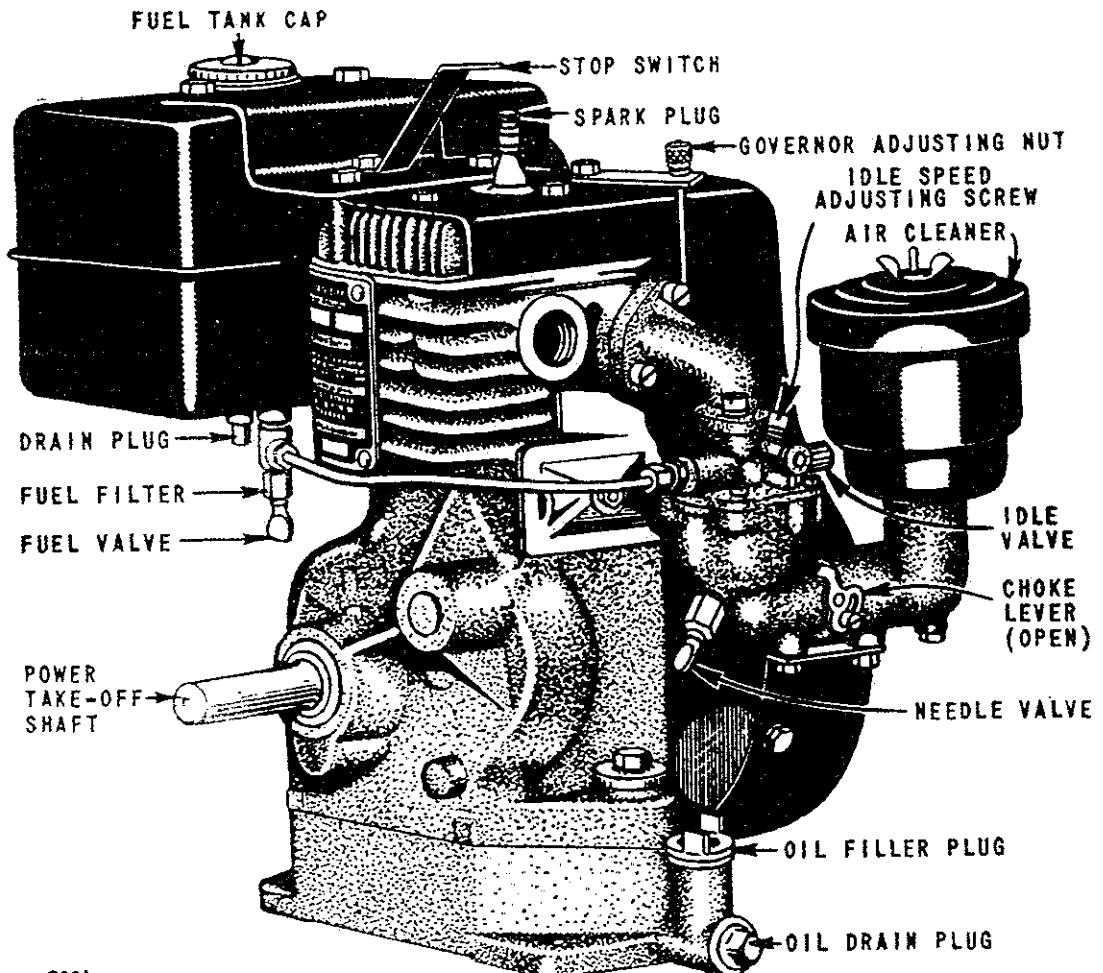
Adjustment and Repair
Instructions • Parts List



MODELS

"8" — "8F" — "8FB" — "8FBC" — "8FBP"
"8FBPC" — "8P" — "8R-6"

TYPE NUMBERS FROM 107010 TO 108999



IMPORTANT SAFETY INFORMATION AND INSTRUCTIONS FOR ENGINE SELECTION ENGINE INSTALLATION ENGINE OPERATION

In the USA and Canada,
our 24 hour hotline is:

18002333723

Briggs & Stratton Corporation
Milwaukee, Wisconsin 53201

www.briggsandstratton.com

Keep these instructions for future reference.



Before installing and operating this engine read and observe all warnings, cautions and instructions on both sides of this sheet, on the engine, and in the operating & maintenance instructions.

NOTE: This sheet of instructions and safety information is not meant to cover all possible conditions and situations that may occur. Read entire Operating & Maintenance Instructions for this engine AND the instructions for the equipment this engine powers. Failure to follow instructions and safety information could result in serious injury or death.

The safety alert symbol () is used to identify safety information about hazards that can result in personal injury.

A signal word (DANGER, WARNING, or CAUTION) is used with the alert symbol to indicate the likelihood and the potential severity of injury. In addition, a hazard symbol may be used to represent the type of hazard.

 **DANGER** indicates a hazard which, if not avoided, will result in death or serious injury.

 **WARNING** indicates a hazard which, if not avoided, could result in death or serious injury.

 **CAUTION** indicates a hazard which, if not avoided, might result in minor or moderate injury.

CAUTION, when used **without** the alert symbol, indicates a situation that **could result in damage to the engine.**

HAZARD SYMBOLS AND MEANINGS



Fire



Explosion



Moving Parts



Toxic Fumes



Hot Surface



Shock



Kickback

(OVER)

FORM MS-6445-01/03

ENGINE SELECTION

 WARNING

Failure to select the correct engine could result in fire or explosion.

- Some engines are unique and designed for specific applications or types of equipment. If this engine will be used to build new equipment, contact Briggs & Stratton to ensure that the engine is appropriate for the intended use.
Note: For all Go-karts use only a model 136200 series engine, which offers improved safety and performance.
- Replacement engines should be the same model as the original engine, or be the Briggs & Stratton designated replacement engine. Refer to the Operation & Maintenance Instructions for engine identification information.
Note: For all Go-karts use only a model 136200 series engine, which offers improved safety and performance.
- Do not use Briggs & Stratton engines on 3-wheel All-Terrain Vehicles (ATVs), motor bikes, air craft products, or vehicles intended for use in competitive events. Briggs & Stratton does not approve of or authorize such uses.

ENGINE INSTALLATION

- [1] Do not attempt to install this engine if you do not have the appropriate tools and knowledge of small engine installation procedures. Use only Briggs & Stratton parts. Contact your Authorized Service Dealer for assistance.
- [2] Do not modify the engine in any way without Briggs & Stratton factory approval. Any such modification is at the owner's sole risk.
- [3] If the exhaust system on the old engine was supplied by the equipment manufacturer, you must transfer the exhaust system and related components (original muffler and related pipes, brackets, clamps, and shields) to the new engine. All components must be in good condition.
- [4]

 WARNING	Install muffler (and muffler deflector if used) so outlet points away from operator, fuel tank, and equipment, and so muffler heat will not damage or deform engine and components.
	
- [5]

 WARNING	Ensure all fuel lines and fittings are properly assembled and do not leak. Replacement parts must be the same model as the original.
	
- [6]

 WARNING	Ensure all wiring, including safety switches and engine shut-off components are completely installed and functioning properly.
	
- [7] Set engine speed to equipment manufacturer's specification. Refer to equipment manufacturer's manual. Do not tamper with governor springs, or other parts that will increase engine speed above specification.

- [8]







 WARNING	All engine parts, including fuel cap, spark plug, muffler, air cleaner, and covers and guards for drive components (gears, belts, shafts, couplings, etc.) must be in place before attempting to start engine.
	
- [9]

 WARNING	If engine is installed on walk behind lawn mower, all mower components, including cutting blade, must be correctly installed before attempting to start engine.
	
- [10]

 WARNING	When working on the engine or equipment, remove spark plug wire from spark plug. For electric start, remove negative wire from battery.
	
- [11]

 WARNING	Do not check for spark with spark plug removed. Use Briggs & Stratton spark tester #19368.
	

ENGINE OPERATION

	 WARNING
When adding fuel:	
Turn engine off and let engine cool at least 2 minutes before removing gas cap. Fill fuel tank outdoors or in well-ventilated area. Fill tank to about 1 inch below lowest portion of neck to allow for fuel expansion. Keep gasoline away from sparks, open flames, pilot lights, heat, and other ignition sources.	
	 WARNING
When starting engine:	
Remove all external equipment/engine loads. Wait until spilled fuel is evaporated. Start engine outdoors. Pull cord slowly until resistance is felt, then pull rapidly. If engine floods, set choke to OPEN/RUN, place throttle in FAST and crank until engine starts.	
	 WARNING
When operating equipment:	
Do not tip engine or equipment at angle which causes gasoline to spill. Run engine outdoors. Do not run in enclosed area, even if doors or windows are open. Do not choke carburetor to stop engine.	

IMPORTANT!

Read these instructions carefully before operating this Engine for the first time.

Guessing how to run it may cause you unnecessary inconvenience, aggravation, or failure to receive the fine service that is built into it.

There is a right way to operate this Engine. This book tells you how.

Each Engine is carefully tested and adjusted at the factory before packing for shipment, and with reasonable care should give many years of satisfactory service.

DO NOT START THIS ENGINE UNTIL YOU HAVE READ CAREFULLY THE INSTRUCTIONS ON PREPARING THE ENGINE, PAGE 3.

For Maintenance Adjustments, see pages 6 to 9.

If you have difficulty in operating your engine and you need outside help, contact your dealer or nearest member of our Authorized Service Organization. See back cover.

Briggs & Stratton manufactured only the engine on your powered equipment. For other service or parts, write to the manufacturer of the complete equipment or see the dealer from whom purchased.

CAUTION!

1. **PROVIDE EFFICIENT VENTILATION.** Exhaust gases contain carbon monoxide which is odorless and a deadly poison. Proper care must be taken to provide efficient ventilation.
2. **DO NOT FILL GASOLINE TANK WHILE ENGINE IS RUNNING.** Avoid spilling gasoline on a hot engine — this may cause an explosion and serious injury.
3. **KEEP ENGINE CLEAN.** This engine is air-cooled. If cooling system becomes clogged, serious damage may result. Therefore, keep the blower screen, fins on flywheel, cylinder head and block free from grass or dirt.
4. **Be sure nobody is behind you when starting engine with rope starter.**

GENERAL INFORMATION

This engine is a single cylinder, L-Head air-cooled type; bore $2\frac{1}{4}$ " and stroke 2". It is rated at:

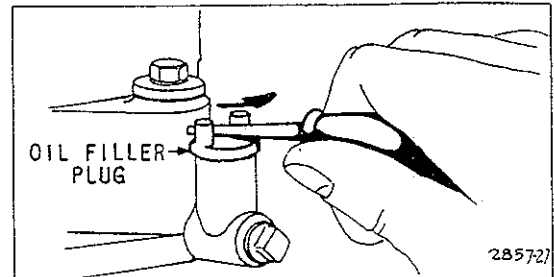
1.87 h.p. at 2600 r.p.m. 2.27 h.p. at 3100 r.p.m. 2.50 h.p. at 3600 r.p.m.

The horsepower ratings listed above are established by standard I.C.E.I. procedures. For practical operation, the horsepower loading should not exceed 85 per cent of these ratings. Engine power will decrease $3\frac{1}{2}$ per cent for each 1,000 feet above sea level, and 1 per cent for each 10 degrees above 60 degrees F.

PREPARATION OF ENGINE BEFORE STARTING

Fill Crankcase With Oil

Remove the oil filler plug. Use a screwdriver or bar. Place the engine level. Fill the crankcase to the top of the filler pipe. Replace the plug. Screw it down tight.



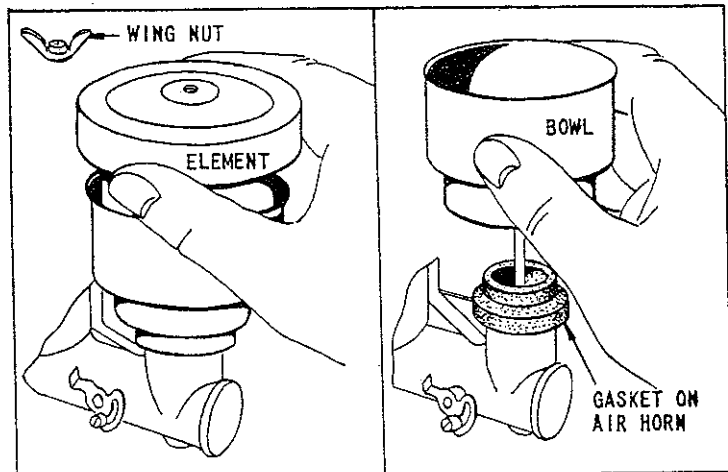
For temperatures 32° and above use Mobiloil Arctic (S.A.E. No. 20) oil or equal

For temperatures below 32° use Mobiloil 10W (S.A.E. No. 10W) oil or equal.

For temperatures below 0° add 1% of kerosene to the S.A.E. No. 10W oil for each degree below 0° but do not add more than 30%.

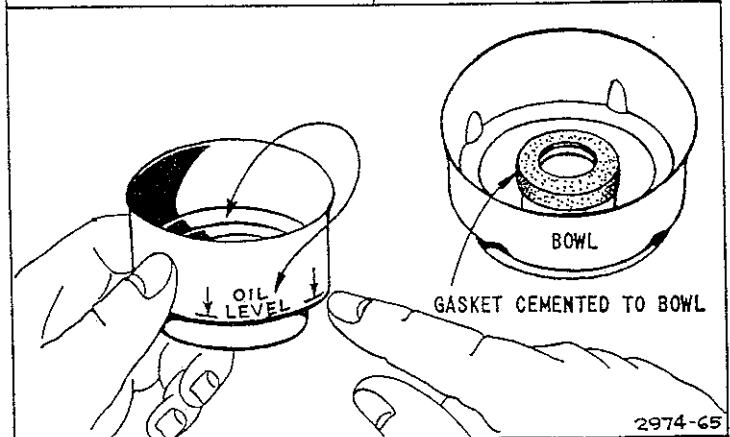
Put Oil In Air Cleaner

Air cleaner protects engine from grit and dirt. Use the same oil as in the crankcase. Remove wing nut. Lift out filter element. Lift off bowl. Pour oil in small bottom part of bowl to "oil level" mark at end of arrows. Replace bowl, element, and wing nut. Be sure gaskets are in place.



Fill Fuel Tank

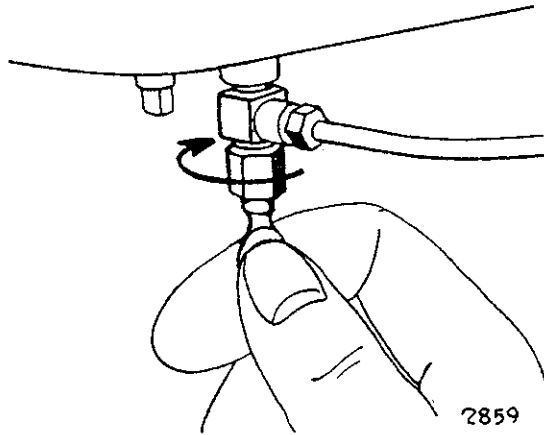
Use a good grade of regular, clean, fresh gasoline such as Mobilgas. *Never use gasoline that has been standing in a can for several months* as gum may form under such conditions and may clog the carburetor, fuel tank, etc. See that vent hole in cap is open. **DO NOT MIX OIL WITH GASOLINE.**



USING THE ENGINE

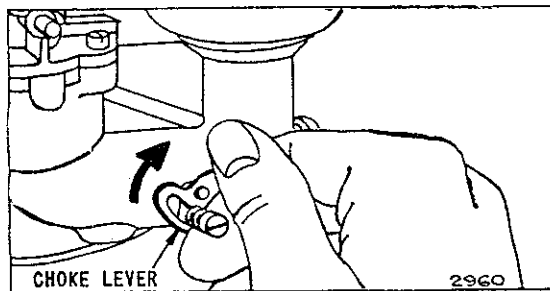
To Start Engine

1. Open Fuel Valve



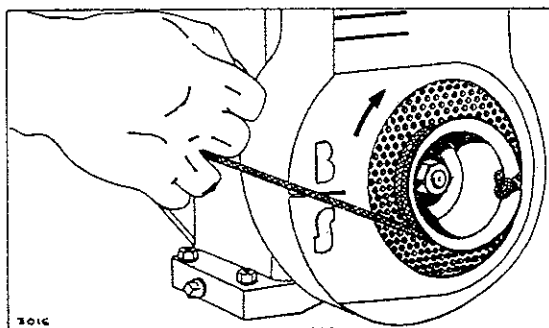
2. Close the Choke

Move lever in direction of arrow.



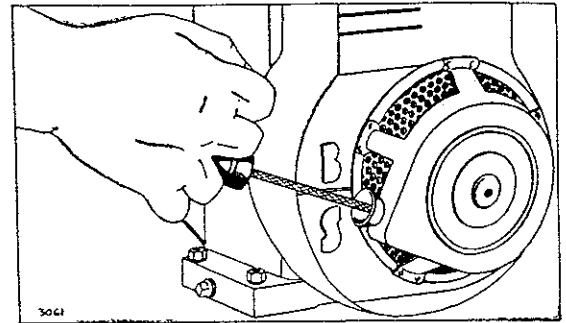
Rope Starter

Wind the starter rope around the pulley in direction shown by arrow. Then turn the pulley in the opposite direction (counterclockwise) until compression is felt. Pull the rope with a quick full arm stroke. Repeat if necessary with choke opened slightly. When engine starts open choke gradually.



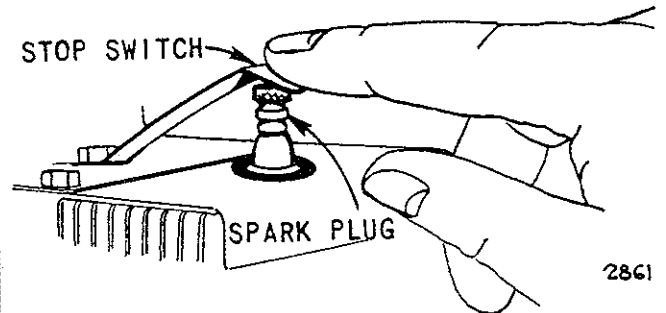
Rewind Starter

Pull rope out slowly until starter clutch engages, then pull until resistance of compression is felt. Continue to pull slowly about 2 or 3 inches until compression ceases. Allow starter rope to recoil and again pull out slowly until starter clutch engages. Then pull with a quick full arm stroke to start engine. Hold starter grip and allow rope to recoil. When engine starts open choke gradually.



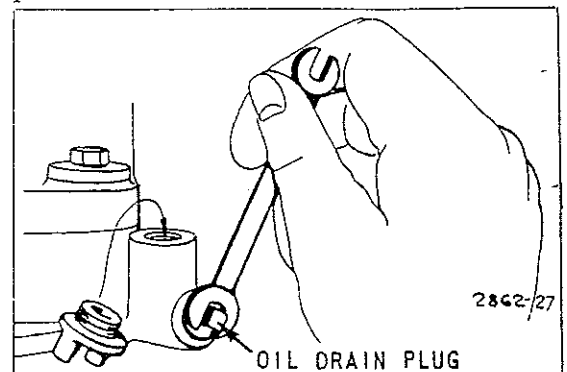
To Stop Engine

Push the stop switch against the end of spark plug.



Change Oil (Crankcase)

Change oil after first 5 hours of operation and every 25 hours thereafter. Remove the oil drain plug. Drain oil while engine is warm. Replace drain plug. Remove oil filler plug and refill crankcase with new oil. Replace oil filler plug. Check oil level regularly after each 5 hours of operation.



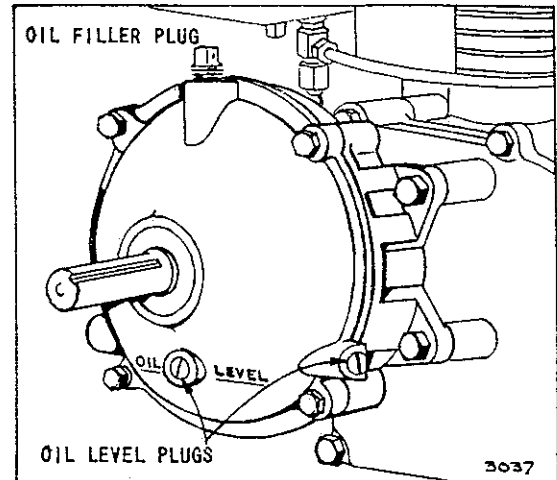
USING THE ENGINE

Check Oil (Gear Reduction)

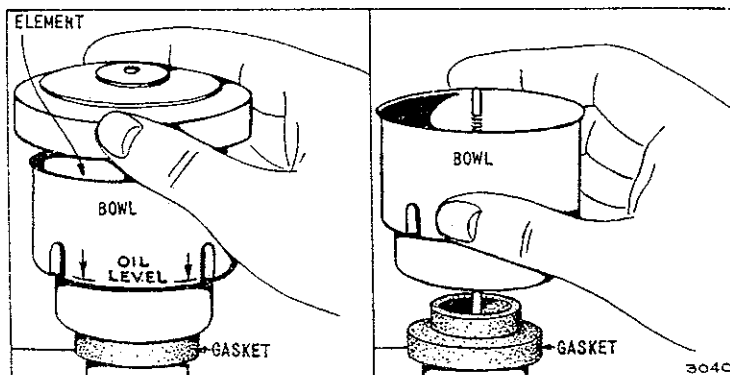
6-TO-1 GEAR REDUCTION MODELS. Remove one of the oil plugs in lower half of gear cover every 100 hours of operation to check the oil level. To refill, pour oil (same grade as used in crankcase) into oil filler hole until oil runs out of lower hole. Replace both oil plugs.

Change Oil (Air Cleaner)

Clean the air cleaner frequently (every few hours under extremely dusty conditions) Clean and refill at least every 25 hours under normal conditions.

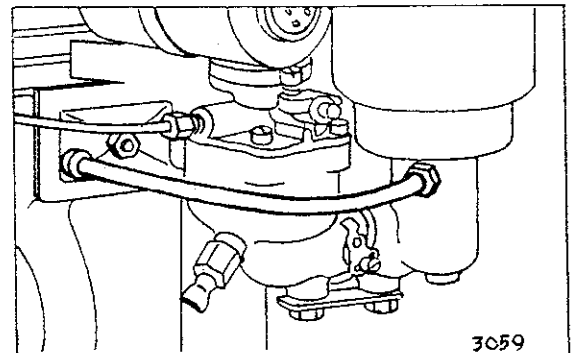


1. Remove Wing Nut
2. Lift Out Element
3. Lift Off Bowl



4. Pour out old oil. Wash the filter element by swishing in gasoline and shake dry. Clean bowl, wipe dry. Pour oil in small bottom part of bowl to "oil level" mark shown. Replace bowl. Replace filter element and wing nut. Be sure gaskets are in place.

BREATHER VENT KIT (Part No. 293714). To increase the service life of engines operating under very dirty conditions, a Breather Vent Kit, Part No. 293714, should be installed if not already applied to your engine as original equipment. This will prevent dust and dirt from entering the engine through the valve cover. Complete instructions are included with each kit.



STORAGE INSTRUCTIONS

Engines stored any length of time should be completely drained of fuel to prevent gum deposits forming on essential parts such as the carburetor, fuel filter, fuel lines, and tank.

Such deposits may affect the operation of the engine when again used. Therefore, it is important that the following instructions be adhered to before storing the engine:

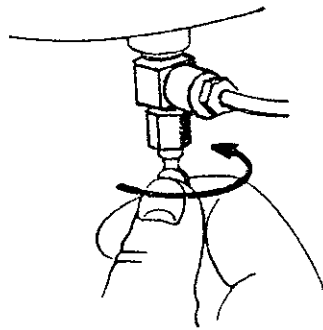
- a. Remove fuel tank drain plug. Open fuel valve. Drain tank completely.
- b. Operate engine until it stops from

exhaustion of fuel to clean gasoline out of carburetor.

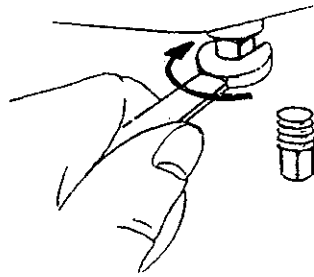
- c. While engine is still warm, drain oil from crankcase. Refill with fresh oil.
- d. Replace fuel tank drain plug.
- e. Leave fuel valve open.
- f. Remove spark plug, pour one ounce of S. A. E. No. 20 oil into cylinder and crank slowly to spread oil. Replace spark plug.
- g. Clean dirt and chaff from cylinder and cylinder head fins, blower housing, etc.

MAINTENANCE ADJUSTMENTS

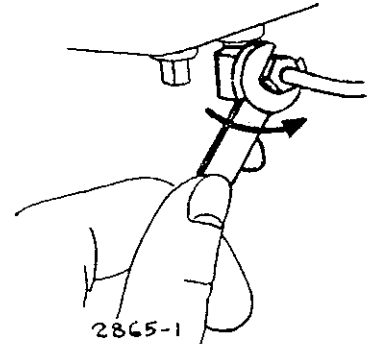
Draining Fuel Tank and Cleaning Fuel Filter



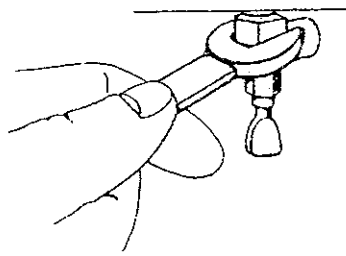
1. Close Fuel Valve



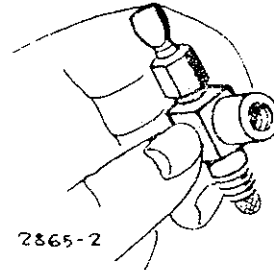
2. Remove Fuel Tank Drain Plug



3. Detach Fuel Pipe



4. Remove Fuel Filter From Fuel Tank

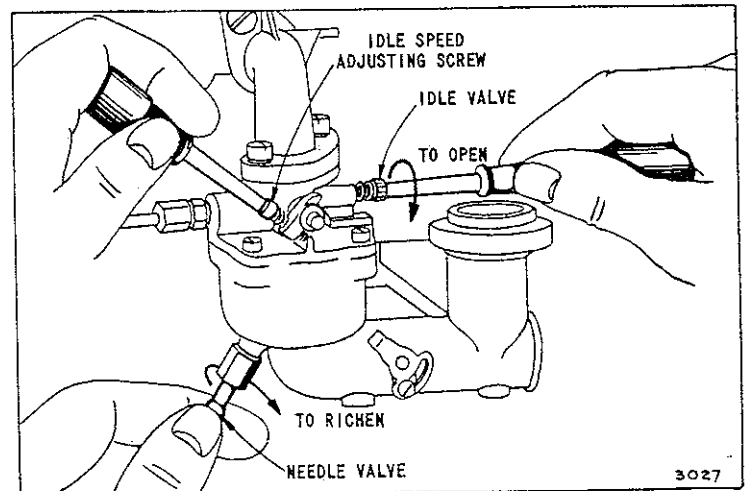


5. Clean With Gasoline. Screen Not Removable. Replace Filter, Pipe Plug, and Fuel Line.

Carburetor Adjustments

Close the needle valve carefully to avoid damaging it. Then open it $1\frac{1}{2}$ turns. Close the idle valve. Open it $\frac{1}{2}$ to $\frac{3}{4}$ turn. Start engine and allow it to warm up.

Turn needle valve in until engine misses, then turn it out past smooth operating point until engine runs unevenly. Now turn needle valve in just far enough so engine runs smoothly.



Set idle speed adjusting screw until engine idles at 1750 R.P.M. Hold throttle in idle position. Turn idle valve in or out until engine picks up speed and runs smoothly. Then again reset idle speed adjusting screw to bring engine to 1750 R.P.M. idling speed. Release throttle. Engine should accelerate without hesitation or sputtering. If it does not accelerate properly, the needle valve should be reset, usually to a richer mixture.

MAINTENANCE ADJUSTMENTS

Governor and Adjustments

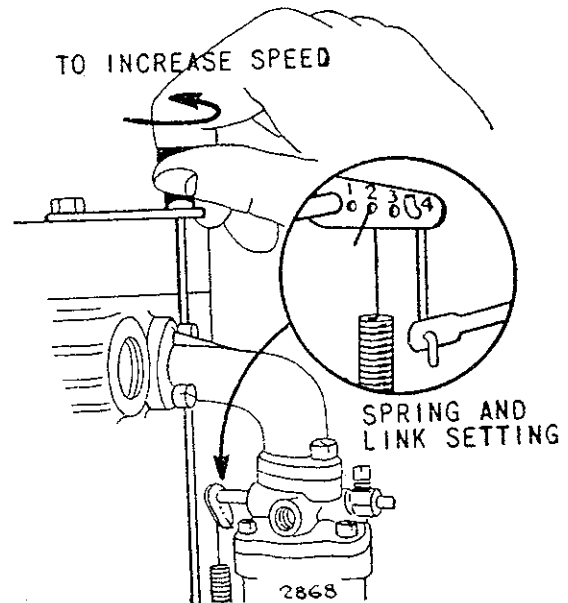
There are two different types of governors used on these engines. They are air vane and mechanical governors. The correct operating speed range is 2600 to 3600 R.P.M. The standard speed setting (no load) is 3300 R.P.M. Idle speed is 1750 R.P.M.

Air Vane Governor Adjustments

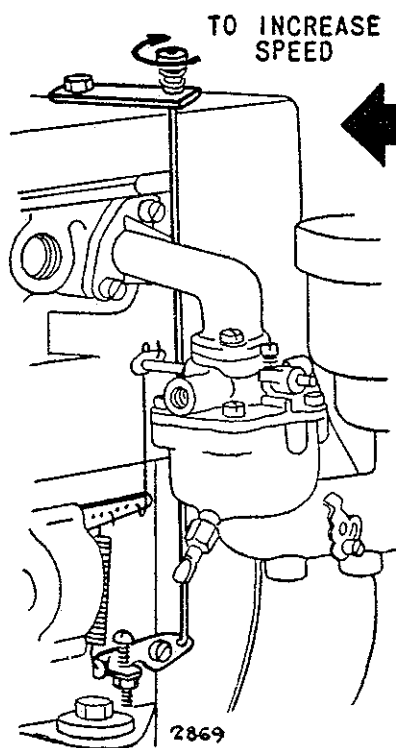
SPEED CONTROL

Speed adjusting thumb nut is located on top of engine. To increase speed turn thumb nut counterclockwise.

NOTE: Top loop of spring should be hooked in No. 2 hole of throttle lever. Should closer governing be required, move spring hook to No. 1 hole. If throttle oscillates move spring to No. 3 hole.

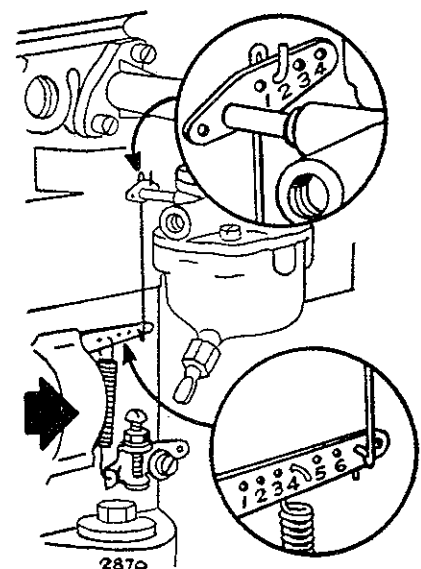


Mechanical Governor Adjustments



Speed adjusting thumb nut is located on top of engine. To increase speed turn adjusting thumb nut clockwise.

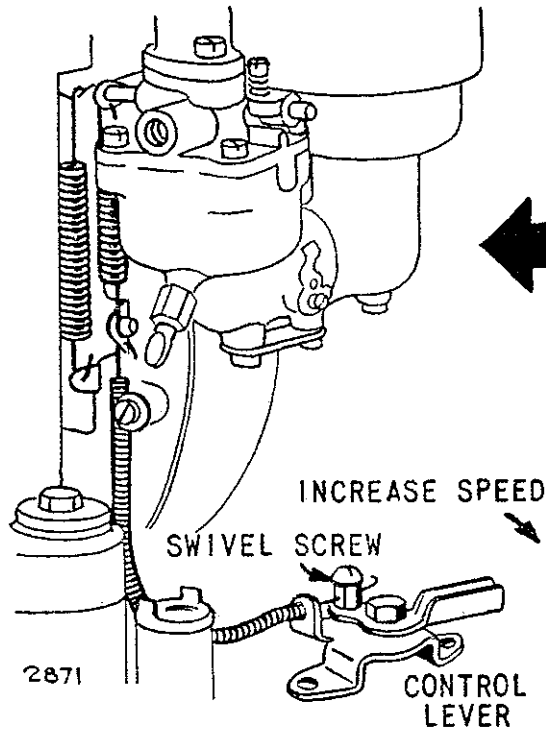
NOTE: Link should be hooked in No. 2 hole of carburetor throttle lever and spring loop should be in No. 4 hole of governor lever. For closer governing, move spring to No. 3, 2, or 1 holes in governor lever. (See drawing below.)



Speed adjusting screw is sometimes located below carburetor. To increase speed loosen nut and turn adjusting screw down. To reduce speed turn screw up.

MAINTENANCE ADJUSTMENTS (Cont'd)

Remote Governor Control

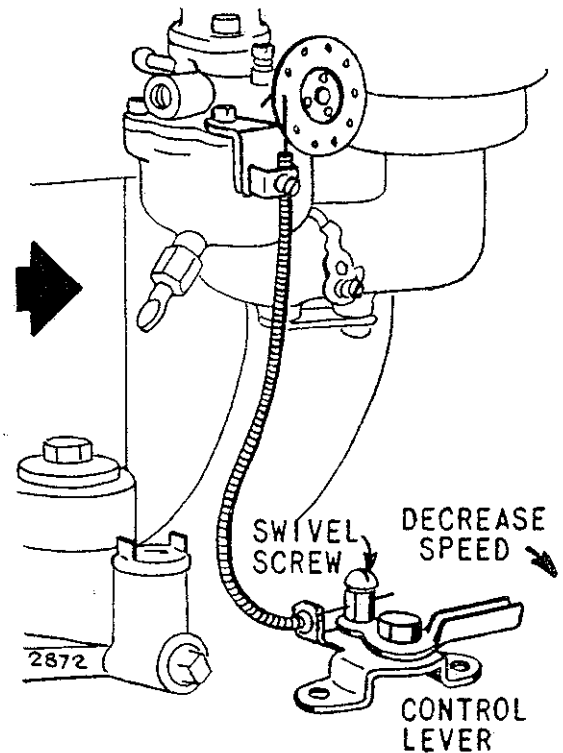


Engine speed is controlled by movement of the control lever as shown. Move control lever to HIGH speed position. Loosen screw on swivel. Move wire through swivel until desired operating speed is obtained. Retighten swivel screw, bend loose end of wire around swivel. Cut off excess wire.

Remote Throttle Control

Top speed of the engine is controlled by the governor. All other speeds from idle to top speed are controlled by a remote control lever at some distance from engine.

Move control lever to LOW speed position. Loosen screw on swivel. Move wire through swivel until carburetor throttle closes. Tighten swivel screw, bend loose end of wire around swivel. Cut off excess wire.



IMPORTANT NOTICE

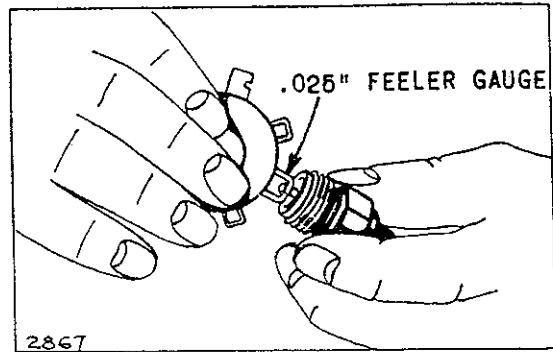
This book includes only necessary information for running your engine. Unless you have a thorough knowledge of internal combustion engines and proper tools, we do not recommend that you attempt to make major engine repairs. This does not mean that you shouldn't make necessary adjustments and simple repairs. For parts and service we advise you to get in touch with the nearest member of our Nation-wide Service Organization.

See yellow pages of your classified telephone directory for nearby engine service under heading "Engines — Gasoline" or "Gasoline Engines."

MAINTENANCE ADJUSTMENTS (Cont'd)

To Check Spark Plug Gap

Spark plug is 14mm (USE CHAMPION NO. J-8 OR EQUIVALENT). Keep a fresh plug on hand. Clean and reset the gap at .025" every 100 hours of operation. Use some graphite grease on threads when replacing spark plug.



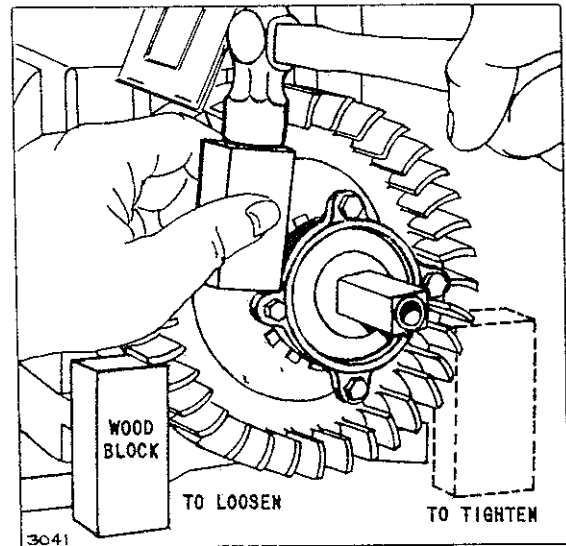
To Adjust and Clean Contact Points

Blower housing, flywheel, and magneto point dust cover must be removed.

To Remove Flywheel

Rewind Starter

Take off blower housing with starter attached. Remove 4 screws and screen from clutch housing. Replace screws in housing. Place a block of wood under fin on left side of flywheel. Hold a block of wood in close against one of the screw lugs. Use a hammer and drive clutch housing to the LEFT to loosen it.

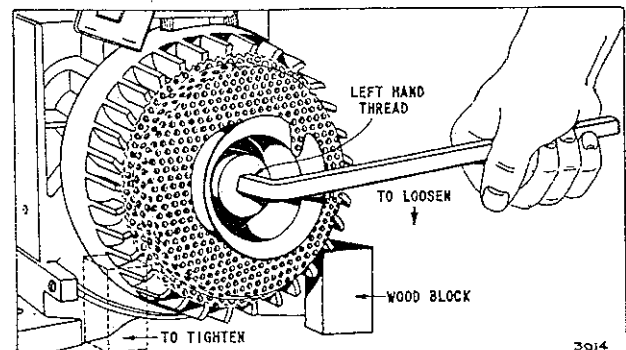


Rope Starter

Remove blower housing. Place a block of wood under flywheel fin on the right side, close to the flywheel to hold it solid. Use a large wrench, turn to right to loosen. Crankshaft has LEFT hand thread.

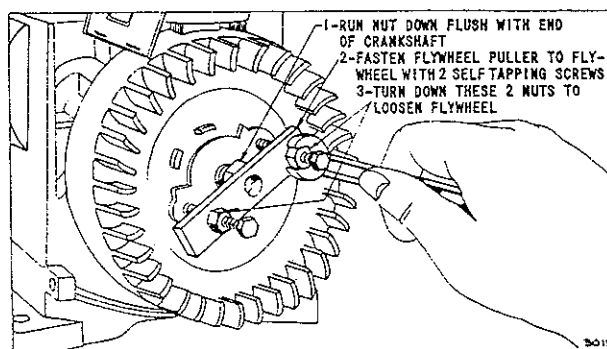
Never Try to Pry Off Flywheel

After removing nut, washer and pulley, loosen flywheel by using Flywheel Puller No. 19069.



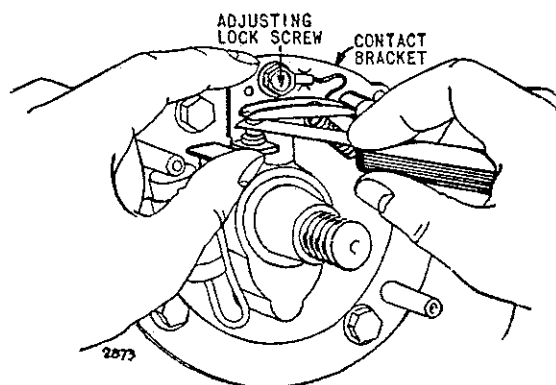
MAINTENANCE ADJUSTMENTS (Cont'd)

To Remove Flywheel With Flywheel Puller



Screw the nut back on shaft until it is flush with threads. Fasten flywheel puller to flywheel by screwing two self-tapping screws into holes provided in flywheel. Turn down the two nuts gradually until flywheel is loosened. Pull off flywheel. Save key.

To Adjust and Clean Contact Points



Remove dust cover. Points must be clean and line up squarely to make good contact. Do not file points — use fine sandpaper or hone to dress the points. Turn the crankshaft until points open to widest gap. Adjust gap to .020" by loosening the adjusting lock screw and moving contact point bracket up or down. When proper gap is obtained tighten lock screw securely. If either or both points become badly pitted or burned, replace with complete new Contact Point Assembly. Replace dust cover.

To Reassemble Flywheel

Clean flywheel hole and tapered end of crankshaft thoroughly. Place keyway of crankshaft up. Put flywheel on shaft and align keyways. Insert the key into keyways and push it securely into place. (If key is partially sheared or damaged, replace with a new key, Part No. 61760. This is a soft metal key. DO NOT USE STEEL KEY.)

Rewind Starter

Put the spring washer on the crankshaft with hollow side against flywheel; then screw on the clutch housing. (Right hand thread.) Place a wood block under fin on right side of flywheel, hold a block in close against one of the screw lugs on clutch housing. Use heavy blows with a hammer or use Starter Clutch Wrench Nos. 19114 or 19161 to tighten clutch housing securely. Replace screen and then blower housing with starter.

Rope Starter

Assemble pulley and washer with hollow side next to pulley. Put on nut. Place the wood block under fin on left side of flywheel. Apply heavy pressure on wrench — seventy pounds at end of 10" wrench handle — to tighten nut. Replace blower housing.

Note: Flywheel key may shear if nut or clutch housing are not properly tightened. All Briggs & Stratton Service Organizations are equipped with special tools to tighten nut and clutch housing.

PARTS SECTION INDEX

How to Find the Correct Number of Part You Need (See below)	Page
Numerical Parts List	17-34
Illustrations of Parts Groups:	
Cylinder and Base Parts	12
Piston, Connecting Rod, Flywheel, Mechanical Governor, and Gear Reduction Parts	13
Fuel System and Blower Housing Parts	14
Magneto and Starter Parts	15
Fuel System Accessory Parts	16



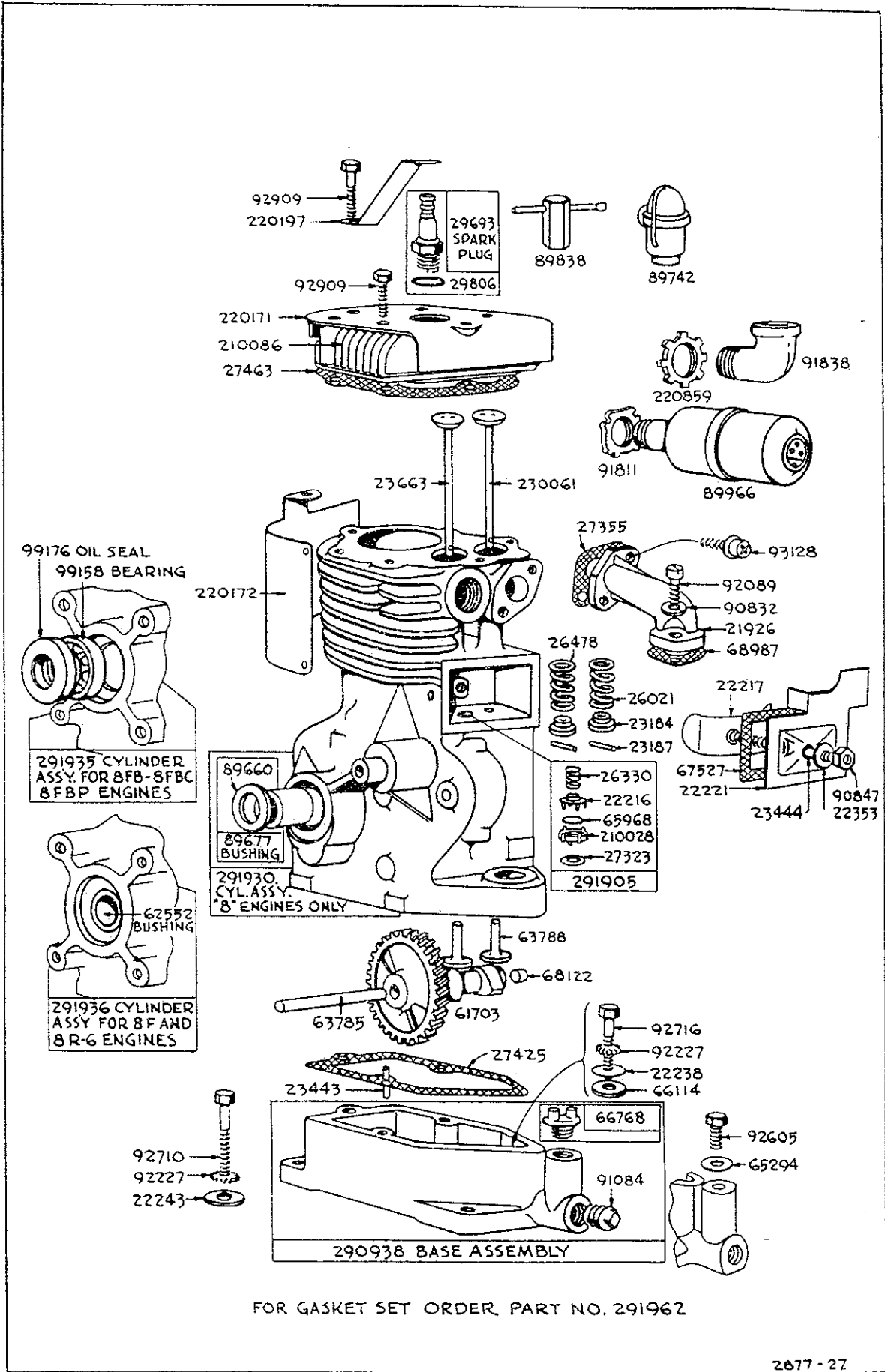
HOW TO FIND THE CORRECT NUMBER OF THE PART YOU NEED

- a. Make a note of your engine **MODEL AND TYPE NUMBER** (not the Serial number) that appears on the metal nameplate attached to cylinder shield.
- b. Refer to pages illustrating parts and locate the Master Part Number by comparing your old part with illustrations. Assemblies include all part numbers shown in frames in illustration. All parts shown in assembly frames on which part numbers are given can be purchased separately.
- c. After the Master Part Number has been identified, refer to the following Parts List where these Master Part Numbers are listed in numerical order.

THE MASTER PART IS USED ON ALL TYPES OF ENGINES EXCEPT THOSE TYPES LISTED UNDER "NOTE."

- d. If a "Note" appears below the Master Part Number, this means that this part is made differently from the Master Part for certain types, and if your type is listed under "Note" order the part referred to.
- e. If your Engine Type Number does not appear after any part number listed under "Note," order the Master Part Number.
- f. When ordering parts — or writing for service information — always specify the **MODEL NUMBER — TYPE NUMBER — and SERIAL NUMBER** of your engine.
- g. All parts should be ordered from the nearest member of our Nation-wide Service Organization. (See back cover.) In ordering parts by mail, selling prices will be furnished on request or parts will be shipped at prevailing prices.

PARTS SECTION



2677-27

CYLINDER AND BASE PARTS

Assemblies include all parts shown in frames.

PARTS SECTION

- 21203 - RING, PISTON COMP. TOP, STD.
- 21219 - .010" - OVERSIZE
- 21220 - .020" - "
- 21221 - .030" - "
- 21202 - RING, PISTON COMP. CENTER, STD.
- 21222 - .010" - OVERSIZE
- 21223 - .020" - "
- 21224 - .030" - "
- 61505 - RING, PISTON. OIL, STD.
- 61747 - .010 - OVERSIZE
- 61748 - .020 - "
- 61749 - .030 - "

26026

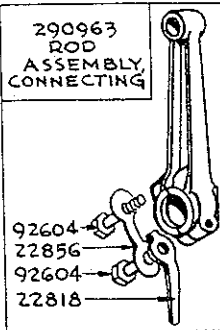


- 290820 - RING SET - STANDARD PISTON
- 290821 - RING SET - .010 - O.S. PISTON
- 290822 - RING SET - .020 - O.S. PISTON
- 290823 - RING SET - .030 - O.S. PISTON

- 291921 - PISTON ASSEMBLY STD.
- 291922 - .010" OVERSIZE
- 291923 - .020" "
- 291924 - .030" "

INCLUDES PISTON RINGS AND PISTON PIN LOCKS

290963
ROD
ASSEMBLY
CONNECTING

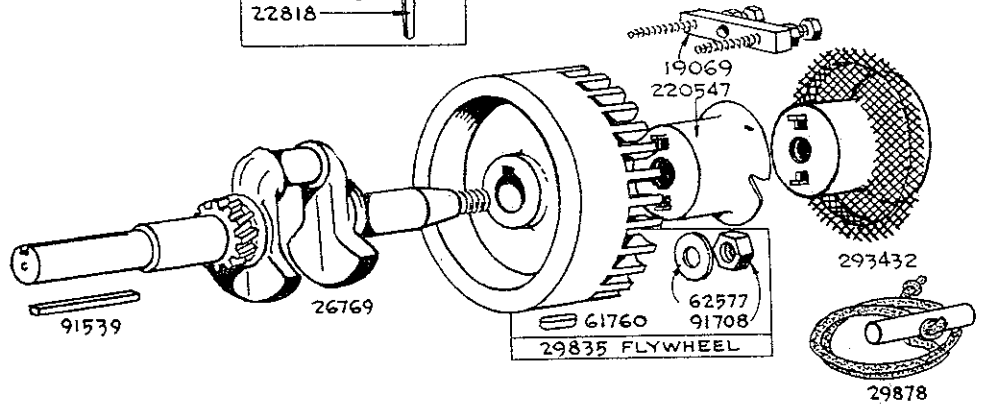


- 92604
- 22856
- 92604
- 22818

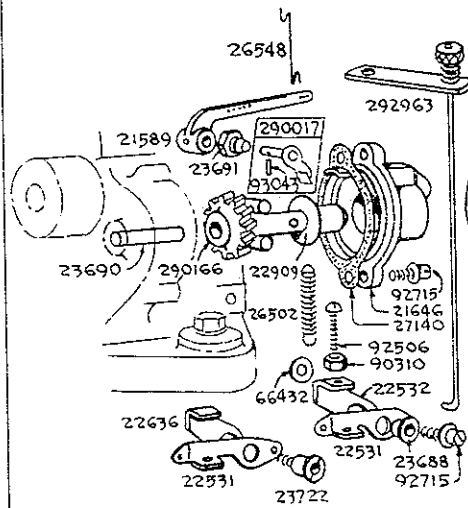
G 26026

291925 PIN.
ASSY. PISTON, STD.

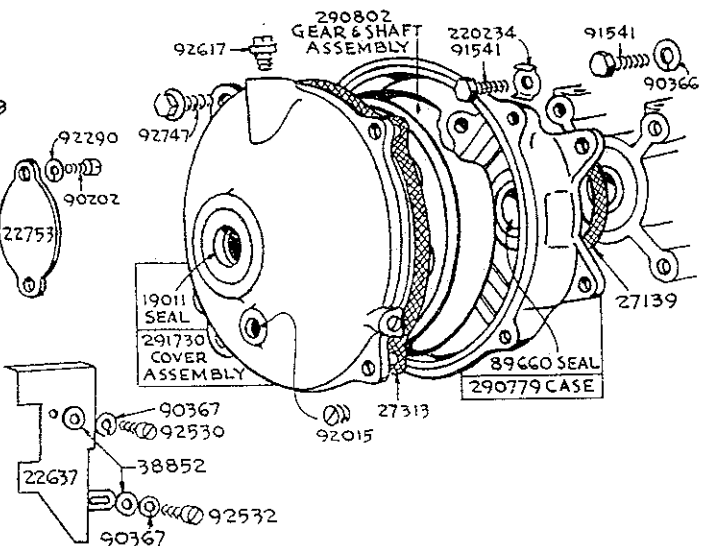
291926 PIN ASSY. PISTON, .005" OVERSIZE



MECHANICAL GOVERNOR PARTS



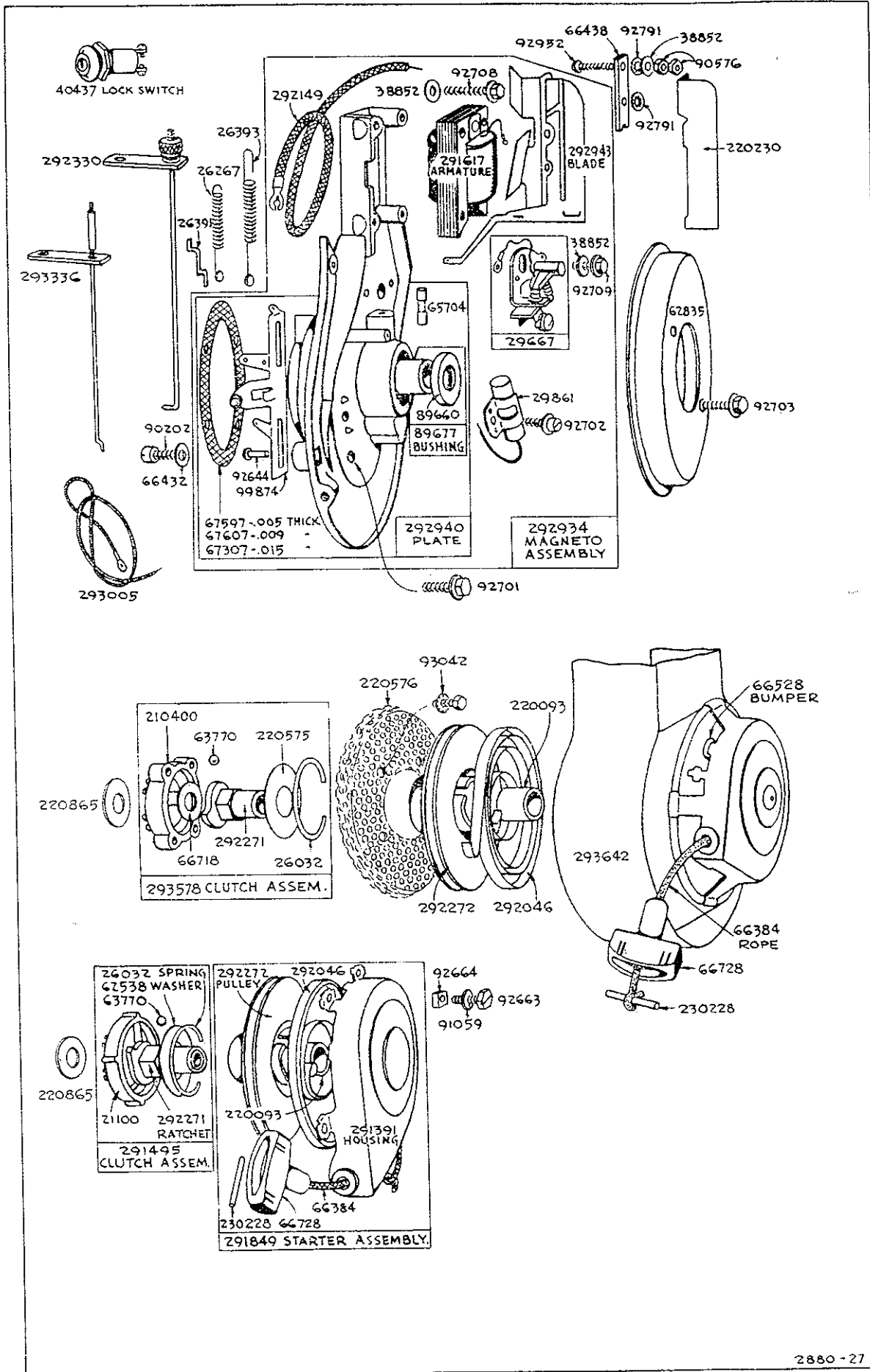
6:1 GEAR REDUCTION PARTS



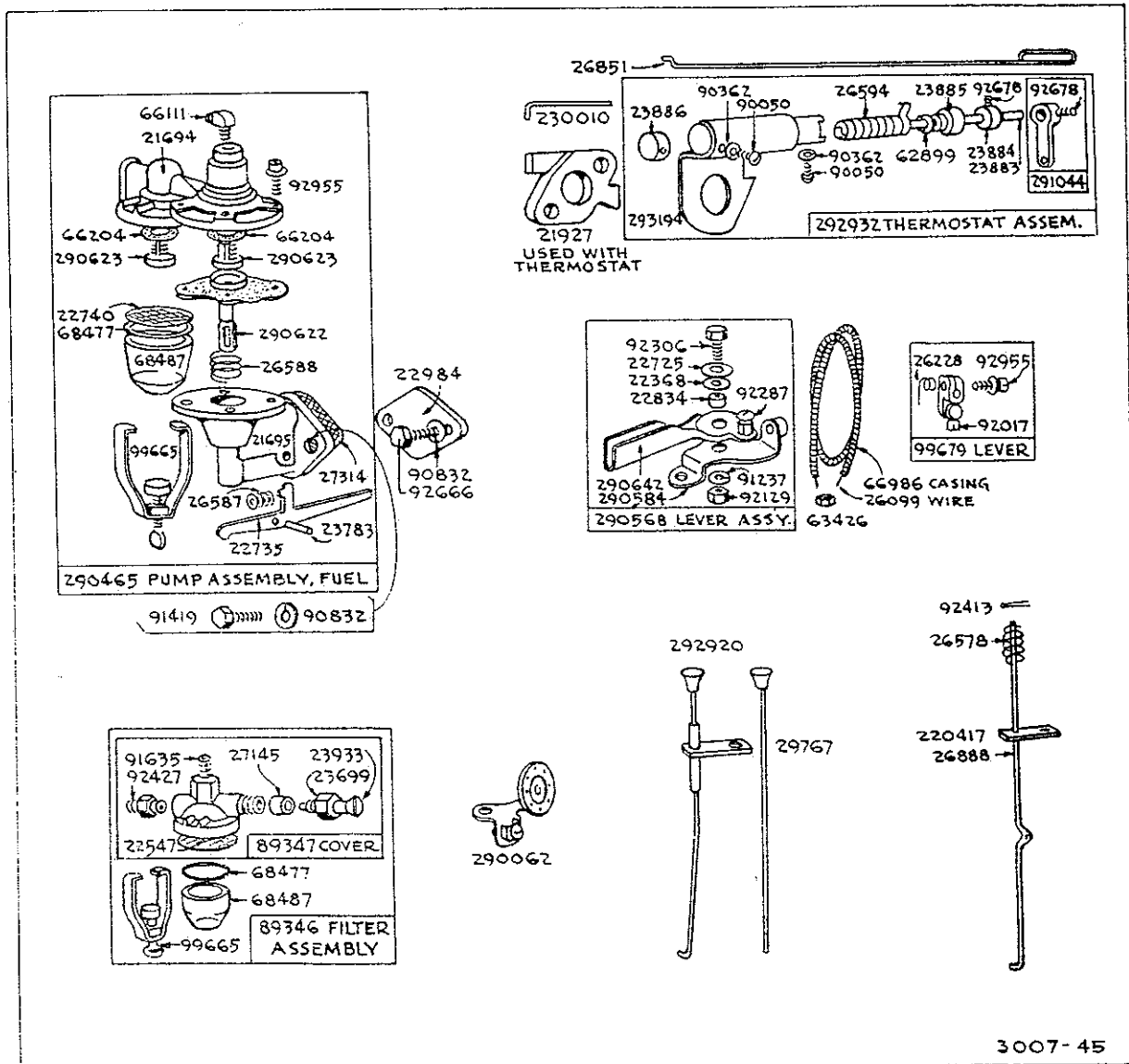
2878-107

FUEL SYSTEM AND BLOWER HOUSING PARTS
Assemblies include all parts shown in frames.

PARTS SECTION



MAGNETO AND STARTER PARTS
Assemblies include all parts shown in frames.



3007-45

FUEL SYSTEM ACCESSORY PARTS

Assemblies include all parts shown in frames.

NUMERICAL PARTS LIST

MASTER PART NO.	NAME	SHIPPING WEIGHT	
		Lbs.	Oz.
19011	Seal—Oil		2
19069	Puller—Flywheel (Optional Accessory)		8
21100	Housing—Starter Clutch		10
21202	Ring—Piston, Compression, Center—Standard		1
21203	Ring—Piston, Compression, Top—Standard		1
21216	Venturi—Carburetor		1
21219	Ring—Piston, Compression, Top—.010" O.S.		1
21220	Ring—Piston, Compression, Top—.020" O.S.		1
21221	Ring—Piston, Compression, Top—.030" O.S.		1
21222	Ring—Piston, Compression, Center—.010" O.S.		1
21223	Ring—Piston, Compression, Center—.020" O.S.		1
21224	Ring—Piston, Compression, Center—.030" O.S.		1
21470	Body—Lower Carburetor		6
	<i>Note:</i> No. 99720 Body Assembly—Lower Carburetor		6
	Used on type Nos. 107111, 108022, 108036, 108041, 108543.		
	Includes: { No. 90051 Screw—Machine, Rd. Hd.—6-32x $\frac{5}{16}$ "		1
	{ No. 90362 Washer—Lock—No. 6x $\frac{3}{16}$ x $\frac{1}{16}$ "		1
	No. 291063 Body Assembly—Lower Carburetor		6
	Used on type Nos. 108050, 108525, 108526, 108530, 108531, 108533, 108534, 108535, 108539, 108540, 108547, 108550, 108553, 108556, 108561.		
	Includes: { No. 90051 Screw—Machine, Rd. Hd.—6-32x $\frac{3}{16}$ "		1
	{ No. 91122 Washer—Lock—Shakeproof No. 1206		1
21589	Lever—Governor		2
21611	Elbow—Air Cleaner		12
	<i>Note:</i> No. 210349 Elbow—Air Cleaner		12
	Used on type Nos. 107085, 107148, 108039.		
	Uses: { No. 66518 Tubing—Vent		1
	{ No. 230252 Fitting—Air Cleaner Pipe		2
	No. 210349 Elbow—Air Cleaner		12
	Used on type Nos. 107120, 107130, 108044.		
	Uses: { No. 23699 Nut—Tubing Fitting		1
	{ No. 66518 Tubing—Vent		1
	{ No. 230254 Fitting—Tubing		2
	{ No. 230256 Fitting—Air Cleaner Pipe		2
21646	Housing—Governor		6
21694	Head—Fuel Pump		6
21695	Body—Fuel Pump		6
21737	Elbow—Air Cleaner		6
	<i>Note:</i> No. 210351 Elbow—Air Cleaner		6
	Used on type Nos. 107071, 107100, 107109, 107114, 107134, 107153, 107157, 107161, 107174, 107866, 107888, 107901, 107904, 107907.		
	Uses: { No. 66518 Tubing—Vent		1
	{ No. 230252 Fitting—Air Cleaner Pipe		2
	No. 210351 Elbow—Air Cleaner		6
	Used on type Nos. 107151, 107152.		
	Uses: { No. 23699 Nut—Tubing Fitting		1
	{ No. 66518 Tubing—Vent		1
	{ No. 230254 Fitting—Tubing		2
	{ No. 230256 Fitting—Air Cleaner Pipe		2
21926	Elbow—Carburetor Intake		6
	<i>Note:</i> No. 210295 Elbow—Intake		6
	Used on type Nos. 108025, 108039, 108044.		
21927	Spacer—Carburetor Elbow		1
	<i>Note:</i> Used only on engines equipped with Automatic Choke.		

PARTS SECTION

MASTER PART NO.	NAME	SHIPPING WEIGHT	
		Lbs.	Oz.
†22032	Washer—Needle Valve Packing		1
22036	Valve—Throttle		1
22050	Valve—Choke		1
	<i>Note: No. 22876 Valve—Choke</i>		1
	Used on type Nos. 108050, 108525, 108526, 108530, 108531, 108533, 108534, 108535, 108539, 108540, 108547, 108550, 108553, 108556, 108561.		
22062	Washer—Choke Lever		1
22216	Cover—Breather		1
22217	Shield—Oil Spray		1
22221	Cover—Valve		6
	<i>Note: No. 220706 Cover—Valve</i>		6
	Used on type Nos. 107163, 107165, 107166, 107171.		
	Uses: No. 66638 Tube—Breather		1
	No. 220879 Cover—Valve		6
	Used on type Nos. 107170, 107172, 107175, 107176, 107177, 107583, 107917.		
	Uses: No. 66578 Grommet		1
	No. 220754 Support—Breather Tube		1
	No. 230372 Tube—Breather		1
	No. 293328 Cover—Valve		8
	Used on type Nos. 107071, 107085, 107100, 107109, 107114, 107120, 107130, 107134, 107148, 107151, 107152, 107153, 107157, 107161, 107174, 107866, 107888, 107901, 107904, 107907, 108039, 108044.		
22238	Washer—Cylinder Mounting		1
22243	Washer—Cylinder Mounting		1
22279	Brace—Air Cleaner Elbow		1
*22353	Washer—Valve Cover		1
22368	Washer—Control Lever		1
22531	Lever—Governor Control		3
22532	Stop—Governor Lever		2
22547	Screen—Fuel Filter		1
22636	Stop—Governor Lever		2
22637	Shield—Mechanical Governor		4
22725	Washer—Control Lever		1
22735	Lever—Fuel Pump		1
22740	Screen—Fuel Pump Filter		1
22753	Cover—Governor Hole		2
22818	Dipper—Connecting Rod		3
22834	Washer—Spacer		1
22856	Lock—Connecting Rod Screw		1
22909	Cup—Governor		2
22963	Washer—Spacer		1
	<i>Note: Used on type No. 108025.</i>		
22984	Cover—Fuel Pump Hole		2
†23114	Pin—Float Hinge		1
23125	Pin—Throttle Stop (Use No. 93043)		1
23184	Retainer—Valve Spring		1
	<i>Note: No. 292259 Rotocap—Exhaust Valve</i>		3
	Used on type Nos. 107115, 107137, 107164, 107564, 107588, 107590, 107881, 108528, 108532, 108533, 108536, 108541, 108827.		
23187	Pin—Valve Spring Retainer		1
	<i>Note: No. 230126 Pin—Exhaust Valve Rotocap Retainer</i>		1
	No. 230127 Retainer—Exhaust Valve Rotocap		1
	Used on type Nos. 107115, 107137, 107164, 107564, 107588, 107590, 107881, 108528, 108532, 108533, 108536, 108541, 108827.		
†23222	Nozzle—Carburetor		1

† Included in Carburetor Overhaul Kit — Part No. 291691.

* Included in Gasket Set — Part No. 291962.

PARTS SECTION

MASTER PART NO.	NAME	SHIPPING WEIGHT	
		Lbs.	Oz.
†23227	Nut—Needle Valve Packing		1
23230	Bushing—Throttle Shaft		1
23270	Screw—Choke Lever		1
23292	Bolt—Air Cleaner—6 $\frac{5}{16}$ " long		2
23334	Stud—Air Cleaner		1
23443	Pin—Engine Base		1
23444	Stud—Valve Cover		1
23663	Valve—Exhaust		2
	<i>Note: No. 26515 Valve—Exhaust</i>		2
	Used on type Nos. 107115, 107137, 107164, 107564, 107588, 107881, 108528, 108536, 108541, 108827.		
23688	Bushing—Governor Control		1
23690	Shaft—Governor		1
23691	Bushing—Governor Crank		2
23699	Nut—Fuel Shut-off Lever		1
23722	Screw—Governor Control Lever		3
23783	Pin—Fuel Pump Lever		1
23883	Shaft—Thermostat		2
23884	Stop—Thermostat Shaft		1
23885	Support—Thermostat Shaft (Inner)		1
23886	Support—Thermostat Shaft (Outer)		1
23933	Lever—Fuel Shut-off		2
26021	Spring—Intake Valve		1
26026	Lock—Piston Pin		1
26032	Spring—Clutch Retainer		1
26099	Wire—Control, 54" long		2
	<i>Note: If longer wire is needed, specify length by inches; if shorter wire is needed, order No. 26099 and cut to required length.</i>		
	No. 26718 Wire—Control—84" Long—Stainless Steel		4
	Used on type Nos. 108022, 108023, 108041, 108042.		
†26157	Spring—Throttle Adjustment		1
26228	Spring—Choke Lever Return		1
26229	Spring—Choke Lever		1
26267	Spring—Control Wire Return		1
26330	Spring—Breather Retainer		1
26391	Link—Throttle		1
26393	Spring—Governor		1
26478	Spring—Exhaust Valve		1
	<i>Note: No. 26826 Spring—Exhaust Valve</i>		1
	Used on type Nos. 107115, 107137, 107164, 107564, 107588, 107590, 107881, 108528, 108532, 108533, 108536, 108541, 108827.		
26502	Spring—Governor		2
26548	Link—Governor		2
26578	Spring—Control Rod Return		1
26587	Spring—Fuel Pump Lever		1
26588	Spring—Fuel Pump Diaphragm		1
26594	Thermostat		1
26769	Crankshaft	3	
	<i>Note: No. 26770 Crankshaft</i>	3	
	Used on type Nos. 107510, 107524, 107529, 107530, 107537, 107538, 107545, 107547, 107548, 107550, 107553, 107554, 107555, 107557, 107567, 107568, 107574, 107581, 107583, 108510, 108527, 108544, 108561.		
	No. 26771 Crankshaft	3	
	Used on type Nos. 107102, 107810, 107821, 107822, 107823, 107824, 107825, 107826, 107827, 107828, 107829, 107830, 107831, 107832,		

(See following page)

† Included in Carburetor Overhaul Kit — Part No. 291691.

PARTS SECTION

MASTER PART NO.	NAME	SHIPPING WEIGHT Lbs. Oz.
107833, 107834, 107835, 107836, 107837, 107838, 107842, 107844, 107845, 107847, 107848, 107849, 107850, 107851, 107852, 107853, 107854, 107855, 107856, 107857, 107858, 107859, 107860, 107861, 107862, 107863, 107864, 107865, 107866, 107867, 107870, 107872, 107873, 107875, 107876, 107879, 107880, 107881, 107882, 107884, 107888, 107889, 107891, 107893, 107895, 107896, 107897, 107901, 107903, 107904, 107905, 107907, 107908, 107911, 107912, 107916, 107918, 108810, 108821, 108825, 108826, 108827.		
No. 26773 Crankshaft		3
Used on type Nos. 107011, 107017, 107046, 107052, 107055, 107058, 107064, 107072, 107080, 107081, 107083, 107086, 107090, 107091, 107092, 107093, 107094, 107095, 107097, 107099, 107103, 107104, 107107, 107110, 107111, 107115, 107119, 107120, 107124, 107126, 107127, 107131, 107132, 107133, 107137, 107139, 107140, 107141, 107145, 107147, 107148, 107151, 107153, 107158, 107160, 107162, 107163, 107164, 107166, 107167, 107168, 107173, 107174, 107176, 107177, 107178, 108011, 108017, 108031, 108036, 108038, 108046, 108047, 108048, 108049, 108051, 108052, 108055.		
No. 26775 Crankshaft		3
Used on type Nos. 107061, 107101, 107811, 107812, 107840, 107841, 107843, 107846, 107868, 107869, 107871, 107874, 107877, 107878, 107883, 107885, 107886, 107887, 107890, 107892, 107894, 107898, 107899, 107902, 107906, 107909, 107910, 107913, 107914, 107915, 107917, 108311, 108312, 108324.		
No. 26778 Crankshaft		3
Used on type Nos. 107511, 107517, 107543, 107546, 107561, 107563, 107566, 107570, 107578, 107585, 107587, 107591, 108511, 108517, 108535, 108537, 108540, 108543, 108560.		
No. 26782 Crankshaft		3
Used on type Nos. 107521, 107539, 107551, 107556, 107558, 107562, 107565, 107569, 107572, 107576, 107577, 107579, 107588, 107589.		
No. 26783 Crankshaft		3
Used on type Nos. 107522, 107526, 107552, 107573, 107580, 108522, 108524, 108526, 108529, 108530, 108532, 108533, 108541, 108545, 108546, 108547, 108548, 108549, 108550, 108552, 108553, 108554, 108555, 108556, 108557.		
No. 26784 Crankshaft		3
Used on type Nos. 107523, 107528, 107534, 107540, 107544, 107559, 107575, 107584, 107586, 107590.		
No. 26790 Crankshaft		3
Used on type No. 107571.		
No. 26796 Crankshaft		3
Used on type Nos. 108521, 108523, 108528, 108531, 108534, 108536, 108559.		
No. 26799 Crankshaft		3
Used on type Nos. 107525, 107527, 108563.		
No. 26810 Crankshaft		3
Used on type Nos. 108525, 108538, 108539, 108558, 108562.		
No. 26819 Crankshaft		3
Used on type Nos. 108023, 108025, 108039, 108042.		
No. 26832 Crankshaft		3
Used on type No. 107542.		
Uses: { No. 23158 Sleeve		1
{ No. 230292 Locknut		1
{ No. 62980 Washer		1
No. 26898 Crankshaft		3
Used on type Nos. 107051, 107149, 107172.		
No. 26983 Crankshaft		3
Used on type No. 108044.		

PARTS SECTION

MASTER PART NO.	NAME	SHIPPING WEIGHT	
		Lbs.	Oz.
	No. 26093 Crankshaft	3	
	Used on type No. 108045.		
	No. 260001 Crankshaft	3	
	Used on type No. 108822.		
	No. 260027 Crankshaft	3	
	Used on type No. 108542.		
	No. 260046 Crankshaft	3	
	Used on type No. 107560.		
	No. 260067 Crankshaft	3	
	Used on type No. 107564.		
	No. 260128 Crankshaft	3	
	Used on type No. 107582.		
	No. 260226 Crankshaft	3	
	Used on type No. 108551.		
26851	Link—Choke		2
26888	Rod—Control		2
27139	Gasket—Gear Case Mounting		1
27140	Gasket—Governor Housing		1
27145	Packing—Fuel Shut-off Lever		1
27313	Gasket—Gear Case Cover		1
27314	Gasket—Fuel Pump Mounting		1
27323	Gasket—Breather Body		1
*27355	Gasket—Intake Elbow Mounting		1
	Note: No. 27384 Gasket—Intake Elbow Mounting		1
	Used on type Nos. 108050, 108525, 108526, 108530, 108531, 108533, 108534, 108535, 108539, 108540, 108547, 108553, 108556, 108561.		
27402	Gasket—Air Cleaner		1
*27423	Gasket—Air Cleaner Mounting		1
	Note: No. 202252 Gasket Set		1
	Used on engines with plastic bowl air cleaner		
*27425	Gasket—Engine Base		1
*27463	Gasket—Cylinder Head		1
	Note: Two No. 27463 Cylinder Head Gaskets are used on type Nos. 107033, 107065, 107169, 107534, 107540, 107550, 107551, 107552, 107575, 107579, 107585, 107588, 107589, 107832, 107858, 108562.		
27590	Filter—Carburetor Drain		1
27660	Gasket—Air Cleaner		1
	Note: No. 27666 Gasket—Air Cleaner		1
	Used on type Nos. 107170, 107172, 107175, 107176, 107177, 107583, 107917.		
29667	Breaker Assembly—Ignition		2
	Note: No. 292648 Breaker Assembly		2
	Used on type Nos. 107561, 107576, 107861, 107881, 108528, 108536, 108827.		
29693	Plug—Spark—With Gasket		3
	Note: No. 292519 Plug—Spark—with Gasket		4
	Used on type Nos. 107561, 107576, 107861, 107881, 108528, 108536, 108827		
	No. 293923 Plug—Spark		4
	Used on type Nos. 107112, 108054, 108546, 108547		
29767	Rod—Control		1
29806	Gasket—Spark Plug		1
29835	Flywheel—Magneto	6	
29861	Condenser		2
	Note: No. 290593 Condenser		2
	Used on type Nos. 107561, 107576, 107861, 107881, 108528, 108536, 108827.		
29878	Rope—Starter		6
38852	Washer—Armature, Breaker, and Governor Shield Mounting		1

* Included in Gasket Set — Part No. 291962.

PARTS SECTION

MASTER PART NO.	NAME	SHIPPING WEIGHT	
		Lbs.	Oz.
40437	Lockswitch—Ignition		3
61505	Ring—Piston, Oil—Standard		1
61703	Gear—Cam	1	8
61747	Ring—Piston, Oil—.010" O.S.		1
61748	Ring—Piston, Oil—.020" O.S.		1
61749	Ring—Piston, Oil—.030" O.S.		1
61760	Key—Flywheel		1
61967	Stop—Throttle Lever		1
62199	Washer—Tank Bracket		1
62538	Washer—Clutch Retainer		1
62552	Bushing—Cylinder		2
62577	Washer—Flywheel		1
	<i>Note: No. 62903 Washer—Flywheel ..</i>		1
	Used on type No. 108822.		
62835	Cover—Dust		4
62899	Washer—Thermostat		1
63217	Nut—Needle Valve Packing (Used before serial No. 568877)		1
63426	Locknut—Control Wire Casing		1
63770	Ball—Clutch		1
63785	Shaft—Cam		3
63788	Tappet—Valve		1
65294	Gasket—Oil Filler Screw		1
65704	Plunger—Breaker Point		1
65968	Disk—Breather		1
66111	Connector—Fuel Pipe		1
*66114	Washer—Cylinder Mounting		1
66204	Gasket—Fuel Pump Valve		1
66384	Rope—Starter (47 1/8" long)		1
	<i>Note: No. 66444 Rope—Starter (55 1/8" long) ..</i>		1
	Used on type Nos. 107052, 108535, 108540.		
66432	Washer—Speed Adjuster and Governor Control		1
66438	Insulator—Stopswitch		1
	<i>Note: No. 66498 Insulator—Stop Switch</i>		1
	Used on type Nos. 107561, 107576, 107861, 107881, 108528, 108536, 108827.		
66528	Bumper—Starter Pulley		1
66718	Washer—Starter Clutch Thrust		1
66728	Grip—Starter Rope		1
66768	Plug—Oil Filler		1
	<i>Note: No. 293412 Plug Assembly—Oil Filler and Drain</i>		6
	Used on type No. 108827.		
66986	Casing—Control Wire—48" long		8
	<i>Note: If a longer casing is needed, specify length in inches; if a shorter casing is needed, order No. 66986 and cut to required length.</i>		
*67307	Gasket—Magneto Plate—.015" thick		1
*67527	Gasket—Valve Cover		1
*67597	Gasket—Magneto Plate—.005" thick		1
*67607	Gasket—Magneto Plate—.009" thick		1
68122	Plug—Cam Shaft		1
68477	Gasket—Fuel Filter Bowl		1
68487	Bowl—Fuel Filter		1
†68857	Gasket—Carburetor Body		1
68877	Gasket—Fuel Inlet Valve Seat		1

* Included in Gasket Set — Part No. 291962.

† Included in Carburetor Overhaul Kit — Part No. 291691.

PARTS SECTION

MASTER PART NO.	NAME	SHIPPING WEIGHT	
		Lbs.	Oz.
*68887	Packing—Needle Valve (Used on tank valve before serial No. 568877)		1
†68897	Gasket—Carburetor Venturi		1
†*68987	Gasket—Carburetor Mounting		1
	<i>Note:</i> No. 27310 Gasket—Carburetor Mounting		1
	Used on type Nos. 108050, 108525, 108526, 108530, 108531, 108535, 108539, 108540, 108547, 108550, 108553, 108556, 108561.		
69221	Cap—Fuel Tank		2
	<i>Note:</i> No. 69961 Cap—Fuel Tank		2
	Used on type Nos. 107146, 107153, 107527, 107528, 108022, 108563.		
	No. 293026 Cap—Fuel Tank		6
	Used on type No. 108827.		
89346	Filter Assembly—Fuel		10
	<i>Note:</i> No. 99910 Filter Assembly—Fuel		10
	Used on type No. 107153.		
	No. 294663 Filter Assembly—Fuel		10
	Used on type No. 108827.		
89347	Cover Assembly—Fuel Filter		3
	<i>Note:</i> No. 99909 Cover Assembly—Fuel Filter		3
	Used on type No. 107153.		
	No. 294665 Cover Assembly—Fuel Filter		3
	Used on type No. 108827.		
89495	Body Assembly—Upper Carburetor		4
	<i>Note:</i> No. 293732 Body Assembly—Upper Carburetor		4
	Used on type Nos. 107085, 107120, 107130, 107148, 107151, 107152.		
89660	Seal—Oil		1
89677	Bushing—Cylinder or Magneto		3
89742	Shield—Spark Plug		6
	<i>Note:</i> No. 66538 Elbow—Spark Plug		1
	Used on type Nos. 107137, 108045.		
	No. 291630 Shield—Spark Plug (with stop switch)		6
	Used on type Nos. 107050, 107081, 107093, 107148, 107853, 108027.		
89838	Wrench—Spark Plug		6
89966	Muffler		8
	<i>Note:</i> No. 89945 Muffler	1	
	Used on type Nos. 107111, 107115, 107137, 107164, 107563, 107868, 107873, 107883, 108541.		
	No. 290910 Muffler		8
	Used on type Nos. 108022, 108041.		
	No. 292054 Muffler		8
	Used on type Nos. 107031, 107040, 107044, 107045, 107056, 107071, 107088, 107089, 107100, 107105, 107110, 107118, 107123, 107124, 107134, 107141, 107142, 107147, 107165, 107166, 107170, 107171, 107175, 107827, 107834, 107842, 107861, 107881, 107884, 108036, 108039, 108044, 108047, 108049.		
	No. 293449 Muffler	1	
	Used on type No. 108827.		
	No. 294441 Muffler		6
	Used on type Nos. 107162, 107167, 107176, 107578, 107587, 107895, 107901, 107905, 108556, 108560, 108825.		
90050	Screw—Machine, Rd. Hd.—6-32x $\frac{1}{4}$ "		1
90200	Screw—Machine, Fill. Hd.—8-32x $\frac{1}{2}$ "		1
90202	Screw—Machine, Fill. Hd.—10-32x $\frac{1}{2}$ "		1
90310	Nut—Hex.—6-32		1
90355	Nut—Hex.—10-32		1
90362	Washer—Lock—No. 6x $\frac{3}{16}$ x $\frac{3}{16}$ "		1
90366	Washer—Lock— $\frac{5}{16}$ x $\frac{1}{8}$ x $\frac{1}{16}$ "		1

* Included in Gasket Set — Part No. 291962.

† Included in Carburetor Overhaul Kit — Part No. 291691.

PARTS SECTION

MASTER PART NO.	NAME	SHIPPING WEIGHT	
		Lbs.	Oz.
90367	Washer—Lock—No. 3x $\frac{3}{8}$ x $\frac{3}{16}$ "		1
90576	Nut—Hex.—8-32		1
90832	Washer—Lock— $\frac{1}{4}$ x $\frac{3}{8}$ x $\frac{3}{16}$ "		1
	<i>Note: No. 92778 Washer—Lock—Shakeproof</i>		1
	Used on type Nos. 107561, 107576, 107861, 107881, 108528, 108536, 108827.		
90847	Nut—Hex.— $\frac{1}{4}$ -28		1
91059	Washer—Lock—No. 12x $\frac{1}{8}$ x $\frac{1}{16}$ "		1
91084	Plug—Pipe— $\frac{3}{8}$ "		1
	<i>Note: No. 92814 Plug—Drain</i>		1
	Used on type Nos. 107085, 107148, 108024.		
	<i>No. 93003 Plug—Drain</i>		1
	Used on type No. 108827.		
91237	Washer—Lock— $\frac{1}{4}$ x $\frac{3}{8}$ x $\frac{3}{16}$ "		1
91419	Screw—Cap, Hex. Hd.— $\frac{1}{4}$ -20x $\frac{3}{8}$ "		1
	<i>Note: No. 91439 Screw—Cap, Hex. Hd.—$\frac{1}{4}$-20x$\frac{3}{8}$"</i>		1
	Used in upper blower housing mounting hole on type Nos. 107042, 107051, 107053, 107060, 107061, 107063, 107066, 107068, 107069, 107076, 107080, 107085, 107089, 107101, 107102, 107113, 107120, 107130, 107146, 107151, 107152, 107153, 107161, 107162, 107172, 107176, 107525, 107527, 107578, 107827, 107828, 107829, 107857, 107861, 107872, 107873, 107876, 107881, 107890, 107891, 107894, 107904, 107906, 108022, 108024, 108030, 108041, 108045, 108535, 108536, 108540, 108563.		
91439	Screw—Cap, Hex. Hd.— $\frac{1}{4}$ -20x $\frac{3}{8}$ "		1
91488	Plug—Pipe, $\frac{1}{8}$ " Std., Sq. Hd.		1
	<i>Note: No. 91249 Plug—Pipe, $\frac{1}{8}$" Std., Sq. Hd.</i>		1
	Used on type Nos. 107091, 107106, 107115, 107137, 107154, 107164, 107557, 107582, 107586, 107882, 107883, 108827.		
91539	Key— $\frac{3}{16}$ " square		1
91541	Screw—Cap, Hex. Hd.— $\frac{3}{16}$ -24x $\frac{7}{8}$ "		1
91635	Connector—Fuel Filter		1
	Used only on type Nos. 107091, 107106, 107115, 107137, 107154, 107164, 107557, 107582, 107586, 107882, 107883.		
	<i>Note: No. 230272 Connector—Fuel Filter</i>		1
	Used on type Nos. 107120, 107130, 107151, 107152.		
91648	Screw—Cap, Hex. Hd.— $\frac{3}{16}$ -24x $\frac{1}{2}$ "		1
91708	Nut—Flywheel		1
	<i>Note: No. 92284 Nut—Flywheel</i>		1
	Used on type No. 108822.		
91811	Locknut—Exhaust Elbow		2
91838	Elbow—Exhaust—45° Street		3
	<i>Note: No. 91943 Elbow—Exhaust—90° Street</i>		3
	Used on type Nos. 107042, 107051, 107069, 107076, 107080, 107089, 107115, 107137, 107143, 107164, 107172, 107178, 107567, 107583, 107825, 107828, 107829, 107857, 107873, 107880, 107891, 107897, 107906, 107909, 108824.		
91920	Screw—Machine, Fill. Hd.—8-32x $\frac{3}{8}$ "		1
92015	Plug—Oil Drain (Gear Cover)		1
	<i>Note: No. 92961 Elbow—Street—$\frac{1}{8}$", 90°</i>		1
	Used on type Nos. 107827, 107881, 107890, 107894, 107904.		
92017	Screw—Machine, Fill. Hd.—8-32x $\frac{1}{2}$ "		1
92067	Nut—Wing		1
92125	Screw—Cap, Hex. Hd. (Use Part No. 92734)		1
92129	Nut—Hex.— $\frac{1}{4}$ -28		1
92227	Washer—Lock—Shakeproof No. 1320		1
92287	Screw—Machine, Rd. Hd.—10-32x $\frac{1}{4}$ "		1
92290	Washer—Lock—No. 10x $\frac{1}{8}$ x $\frac{3}{16}$ "		1

PARTS SECTION

MASTER PART NO.	NAME	SHIPPING WEIGHT	
		Lbs.	Oz.
92306	Screw—Cap, Hex. Hd.— $\frac{1}{4}$ -28x $\frac{7}{8}$ "		1
92413	Pin—Cotter— $\frac{1}{16}$ x $\frac{3}{8}$ " long		1
92427	Connector—Fuel Pipe		1
	<i>Note:</i> Connector for filter on type No. 108022 is supplied by equipment manufacturer.		
	No. 53029 Connector—Fuel Pipe		1
	Used on type No. 107153.		
	No. 67549 Valve—Fuel Shut-off		3
	Used on type Nos. 107115, 107137, 107894.		
	No. 93013 Connector—Fuel Pipe		1
	Used on type No. 108827.		
	No. 230318 Connector—Fuel Pipe		1
	Used on type No. 107134.		
92506	Screw—Machine, Rd. Hd.—6-32x1"		1
92530	Screw—Governor Shield Mounting		1
92532	Screw—Governor Shield Mounting		1
92604	Screw—Connecting Rod		1
92605	Screw—Oil Filler		1
92617	Plug—Breather		2
92644	Rivet—Tubular— $\frac{1}{8}$ x $\frac{13}{16}$ "		1
92663	Screw—Starter Mounting		1
92664	Nut—Starter Mounting		1
92666	Screw—Cap, Hex. Hd.— $\frac{1}{4}$ -20x $\frac{1}{2}$ "		1
92678	Screw—Set, Socket Hd.—6-32x $\frac{5}{8}$ "		1
92701	Screw—Magneto Mounting Sem		1
92702	Screw—Condenser Mounting Sem		1
92703	Screw—Dust Cover Sem		1
92706	Washer—Lock—Shakeproof		1
92708	Screw—Armature Mounting Sem		1
92709	Screw—Breaker Mounting Sem		1
92710	Screw—Cylinder Mounting—1 $\frac{1}{2}$ " long (Washer Hd.)		1
92715	Screw—Governor Housing Mounting and Control Lever Sem		1
92716	Screw—Cylinder Mounting		1
92734	Screw—Cap, Hex. Hd.— $\frac{1}{4}$ -20x $\frac{1}{2}$ "		1
92747	Screw—Gear Case Cover Mounting Sem		1
92791	Washer—Lock—Shakeproof		1
92909	Screw—Cylinder Head (1 $\frac{7}{8}$ " long)		1
	<i>Note:</i> No. 91386 Screw—Cylinder Head (2" long)		1
	Used on type Nos. 107069, 107080, 107089, 107828, 107873, 107906 to mount top speed limit device.		
	No. 92985 Screw—Cylinder Head (3" long)		1
	No. 68873 Spacer		1
	Used on type Nos. 107075, 107842.		
	No. 92985 Screw—Cylinder Head (3" long)		1
	No. 63336 Spacer		1
	Used on type Nos. 107091, 107106.		
92952	Screw—Machine, Rd. Hd.—8-32x1 $\frac{1}{4}$ "		1
92955	Screw—Throttle Housing Mounting Sem		1
93038	Screw—Choke and Throttle Valve Mounting Sem		1
93042	Screw—Rotating Screen Mounting Sem		1
93043	Pin—Throttle Stop and Governor Lever		1
93128	Screw—Carburetor and Intake Elbow Mounting Sem		1
	<i>Note:</i> No. 91222 Screw—Machine, Fill. Hd.— $\frac{1}{4}$ -20x1"		1
	Used on type Nos. 108525, 108526, 108530, 108531, 108533, 108534, 108535, 108539, 108540, 108547, 108550, 108556, 108561.		
	For mounting the carburetor to the intake elbow.		
	No. 92684 Screw—Machine, Fill. Hd.— $\frac{1}{4}$ -20x1 $\frac{1}{8}$ "		1
	Used on type Nos. 108050, 108525, 108526, 108530, 108531, 108533,		

(See following page)

PARTS SECTION

MASTER PART NO.	NAME	SHIPPING WEIGHT	
		Lbs.	Oz.
	108534, 108535, 108539, 108540, 108547, 108550, 108553, 108556, 108561. For mounting the intake elbow to the cylinder.		
99158	Bearing—Ball—Used on 8FB engines only		8
	<i>Note:</i> No. 293984 Bearing—Ball		8
	Used on type Nos. 107562, 107579.		
99176	Seal—Oil—Used on 8FB engines only		6
	<i>Note:</i> No. 99440 Seal—Oil		6
	Used on type No. 107542.		
99634	Body—Upper Carburetor		4
99665	Yoke—Fuel Filter		2
99679	Lever Assembly—Choke		2
	<i>Note:</i> No. 291040 Lever and Weight Assembly—Automatic Choke.....		3
	Used on type Nos. 108050, 108525, 108526, 108530, 108531, 108533, 108534, 108535, 108539, 108540, 108547, 108550, 108553, 108556, 108561.		
99700	Shaft and Lever—Choke		2
	<i>Note:</i> No. 23252 Shaft—Choke		1
	Used on type Nos. 107111, 108022, 108036, 108041, 108543.		
	No. 292928 Shaft, Lever and Vane Assembly—Automatic Choke..		4
	Used on type Nos. 108050, 108525, 108526, 108530, 108531, 108533, 108534, 108535, 108539, 108540, 108547, 108550, 108553, 108556, 108561.		
99868	Shaft and Lever Assembly—Throttle		1
	<i>Note:</i> No. 293549 Shaft and Lever Assembly—Throttle		1
	Used on type Nos. 107085, 107120, 107130, 107148, 107151, 107152.		
99874	Adjuster—Speed		1
	<i>Note:</i> No. 89617 Adjuster—Speed		1
	Used on type Nos. 107561, 107576, 107861, 107881.		
99876	Carburetor Assembly	1	
	<i>Note:</i> No. 89507 Carburetor Assembly	1	
	Used on type Nos. 107111, 108036, 108543.		
	No. 291059 Carburetor Assembly	1	
	Used on type Nos. 108022, 108041.		
	No. 292116 Carburetor Assembly	1	
	Used on type Nos. 107033, 107065, 107534, 107540, 107550, 107551, 107552, 107588, 107832, 107858, 108562.		
	No. 292930 Carburetor Assembly	1	
	Used on type Nos. 108050, 108525, 108526, 108530, 108531, 108533, 108534, 108535, 108539, 108540, 108547, 108550, 108553, 108556, 108561.		
	No. 293550 Carburetor Assembly	1	
	Used on type Nos. 107085, 107120, 107130, 107148, 107151, 107152.		
	No. 293780 Carburetor Assembly	1	
	Used on type Nos. 107051, 108521, 108523, 108528, 108536, 108542, 108550, 108559.		
210028	Body—Breather		1
210086	Head—Cylinder	1	4
	<i>Note:</i> No. 210346 Head—Cylinder	1	4
	Used on type Nos. 107033, 107065, 107169, 107534, 107540, 107550, 107551, 107552, 107575, 107579, 107585, 107588, 107589, 107832, 107853, 108562		
	No. 294693 Head—Cylinder ..	1	4
	Used on type No. 108827.		
210400	Housing—Starter Clutch	1	
220093	Retainer—Spring		1
220137	Screen—Blower Housing (Used on engines with Bolt-On Recoil Starter)		2

PARTS SECTION

MASTER PART NO.	NAME	SHIPPING WEIGHT	
		Lbs.	Oz.
No. 220445	Baffle		4
No. 90366	Washer—Lock— $\frac{5}{16} \times \frac{1}{8} \times \frac{1}{16}$ "		1
No. 90832	Washer—Lock— $\frac{1}{4} \times \frac{3}{32} \times \frac{5}{64}$ "		1
No. 90950	Screw—Cap, Hex. Hd.— $\frac{5}{16}$ -24x $\frac{3}{4}$ "		1
No. 92666	Screw—Cap, Hex. Hd.— $\frac{1}{4}$ -20x $\frac{1}{2}$ "		1
<i>The following parts are used in conjunction with No. 220195 Bracket on type Nos. 107053, 107068, 107085, 107113, 107120, 107130, 107151, 107152, 107161, 108024, 108030, 108045:</i>			
No. 220443	Bracket—Fuel Tank		4
No. 220444	Baffle		4
No. 90366	Washer—Lock— $\frac{5}{16} \times \frac{1}{8} \times \frac{1}{16}$ "		1
No. 90832	Washer—Lock— $\frac{1}{4} \times \frac{3}{32} \times \frac{5}{64}$ "		1
No. 90950	Screw—Cap, Hex. Hd.— $\frac{5}{16}$ -24x $\frac{3}{4}$ "		1
No. 92666	Screw—Cap, Hex. Hd.— $\frac{1}{4}$ -20x $\frac{1}{2}$ "		1
<i>The following parts are used in place of No. 220195 Bracket on type Nos. 107828, 107873, 107906:</i>			
No. 220457	Bracket—Fuel Tank		2
No. 91419	Screw—Cap, Hex. Hd.— $\frac{1}{4}$ -20x $\frac{5}{8}$ "		1
No. 90832	Washer—Lock— $\frac{1}{4} \times \frac{3}{32} \times \frac{5}{64}$ "		1
No. 92666	Screw—Cap, Hex. Hd.— $\frac{1}{4}$ -20x $\frac{1}{2}$ "		1
<i>The following parts are used in conjunction with No. 220195 Bracket on type Nos. 107827, 107861, 107881, 107904:</i>			
No. 220440	Bracket—Fuel Tank		2
No. 220445	Baffle		1
No. 90832	Washer—Lock— $\frac{1}{4} \times \frac{3}{32} \times \frac{5}{64}$ "		1
No. 92666	Screw—Cap, Hex. Hd.— $\frac{1}{4}$ -20x $\frac{1}{2}$ "		1
<i>The following parts are used in place of No. 220195 Bracket on type Nos. 107069, 107080, 107089:</i>			
No. 220522	Bracket—Fuel Tank		4
No. 90366	Washer—Lock— $\frac{5}{16} \times \frac{1}{8} \times \frac{1}{16}$ "		1
No. 90832	Washer—Lock— $\frac{1}{4} \times \frac{3}{32} \times \frac{5}{64}$ "		1
No. 90950	Screw—Cap, Hex. Hd.— $\frac{5}{16}$ -24x $\frac{3}{4}$ "		1
No. 92666	Screw—Cap, Hex. Hd.— $\frac{1}{4}$ -20x $\frac{1}{2}$ "		1
220197	Switch—Stop		1
<i>Note: No. 293739 Switch—Stop</i>			1
<i>Used on type No. 108045.</i>			
220230	Guide—Magneto Air (Used only on engines with a Mechanical Governor)		3
220234	Lock—Gear Case Mounting Screw		1
220292	Brace—Air Cleaner Elbow		1
<i>Note: No. 22963 Washer</i>			1
<i>Used between cylinder head cover and brace on type Nos. 108025, 108044.</i>			
220352	Plug—Welch		1
220397	Brace—Carburetor		1
220417	Strap—Governor Control Rod		1
<i>Note: No. 220530 Strap—Control Wire Casing</i>			1
<i>Used on type Nos. 107085, 107148.</i>			
220521	Retainer—Carburetor Filter		1
220547	Pulley—Rope Starter		6
<i>Note: No. 22323 Pulley—Rope Starter</i>			6
<i>Used on type No. 108822</i>			
<i>No. 292233 Pulley—Rope Starter</i>			10
<i>Used on type No. 108042.</i>			
220575	Washer—Clutch Retainer		1
220576	Screen—Recoil Starter		2
220859	Locknut—Muffler and Exhaust Elbow		1
220865	Washer—Spring (Used to lock starter clutch)		1

PARTS SECTION

MASTER PART NO.	NAME	SHIPPING WEIGHT	
		Lbs.	Oz.
†230005	Valve—Needle		1
	Note: No. 292088 Valve—Needle		1
	Used on type Nos. 107033, 107065, 107069, 107534, 107540, 107550, 107551, 107552, 107575, 107579, 107585, 107588, 107589, 107832, 107858, 108562.		
230010	Wrench—Socket Screw		1
230061	Valve—Intake		3
	Note: No. 230101 Valve—Intake		3
	Used on type Nos. 107115, 107137, 107164, 107564, 107588, 107881, 108528, 108536, 108541, 108827.		
230074	Pin—Starter Grip		1
230187	Valve—Fuel Shut-Off (Use Part No. 293934)		1
230238	Stud—Air Cleaner		1
	Note: No. 230361 Stud—Air Cleaner		1
	Used on type Nos. 107170, 107172, 107175, 107176, 107177, 107583, 107917.		
290017	Crank—Governor		2
290062	Control—Throttle		4
	Note: No. 290463 Control—Throttle		4
	Used on type No. 107545.		
290166	Gear—Governor		6
290465	Pump Assembly—Fuel	1	4
290568	Lever Assembly—Control		4
290584	Base—Control Lever		2
290622	Diaphragm—Fuel Pump		2
290623	Valve—Fuel Pump		1
290642	Lever—Control		2
290779	Case Assembly—Gear	1	8
290802	Shaft Assembly—Drive	3	8
	Note: No. 293272 Shaft Assembly—Drive	3	8
	Used on type No. 107857.		
	Order — Shaft Assembly—Drive, used on type No. 107864, from equipment manufacturer.		
290820	Ring Set—Std. Piston		3
290821	Ring Set—.010" O.S. Piston		3
290822	Ring Set—.020" O.S. Piston		3
290823	Ring Set—.030" O.S. Piston		3
290938	Base Assembly—Engine	1	10
	Note: No. 290946 Base Assembly—Engine	1	10
	Used on type Nos. 107021, 107026, 107027, 107031, 107035, 107037, 107042, 107044, 107045, 107046, 107047, 107048, 107049, 107051, 107052, 107063, 107064, 107067, 107069, 107070, 107071, 107072, 107073, 107074, 107076, 107080, 107083, 107084, 107086, 107088, 107089, 107090, 107092, 107097, 107098, 107099, 107100, 107105, 107107, 107110, 107118, 107125, 107126, 107127, 107134, 107143, 107157, 107158, 107163, 107167, 107170, 107171, 107172, 107175, 107178, 107533, 107553, 107583, 107825, 107827, 107828, 107829, 107842, 107843, 107846, 107851, 107852, 107853, 107854, 107855, 107857, 107861, 107863, 107873, 107876, 107879, 107881, 107887, 107891, 107892, 107893, 107895, 107901, 107910, 107915, 107917, 107918, 108023, 108024, 108036, 108037, 108038, 108042, 108047, 108049, 108535, 108540, 108825.		
290963	Rod—Assembly—Connecting		12
291044	Lever Assembly—Thermostat		6
291391	Housing—Starter (Used only with bolt-on type recoil starter).....		12
291495	Clutch Assembly—Starter (Used only with bolt-on type recoil starter)		3

† Included in Carburetor Overhaul Kit — Part No. 291691.

PARTS SECTION

MASTER PART NO.	NAME	SHIPPING WEIGHT	
		Lbs.	Oz.
291617	Armature—Magneto	1	2
	<i>Note:</i> No. 292184 Armature—Magneto	1	2
	Used on type Nos. 107561, 107576, 107861, 107881, 108528, 108536, 108827.		
291691	Carburetor Overhaul Kit		6
291730	Cover Assembly—Gear Case	1	4
291838	Cleaner Assembly—Air	1	
291849	Starter Assembly—Recoil (Bolt-On Type)	2	
	<i>Note:</i> No. 293079 Starter Assembly—Recoil (Bolt-On Type).....	2	
	Used on type No. 107052.		
291905	Breather Assembly		2
291921	Piston Assembly—Std.		4
291922	Piston Assembly—.010" O.S.		4
291923	Piston Assembly—.020" O.S.		4
291924	Piston Assembly—.030" O.S.		4
291925	Pin Assembly—Piston—Std.		3
291926	Pin Assembly—Piston—.005" O.S.		3
291930	Cylinder Assembly	14	
	<i>Note:</i> This group of cylinders including part No. 291930 used on model 8 and 8P engines. (For 8FB, 8FBC, and 8FBP engines see Part No. 291935; for 8F and 8R-6 engines see Part No. 291936.)		
	No. 291958 Cylinder Assembly	14	
	Used on type Nos. 107053, 107060, 107063, 107066, 107067, 107068, 107069, 107080, 107084, 107085, 107088, 107089, 107092, 107113, 107120, 107130, 107151, 107152, 107161, 107162, 107173, 107176, 108024, 108030, 108045.		
	No. 292420 Cylinder Assembly	14	
	Used on type Nos. 107115, 107137, 107164.		
	No. 292993 Cylinder Assembly	14	
	Used on type Nos. 107051, 107149, 107172.		
291935	Cylinder Assembly	14	
	<i>Note:</i> This group of cylinders including Part No. 291935 used only on Model 8FB, 8FBC, and 8FBP engines.		
	No. 291996 Cylinder Assembly	14	
	Used on type Nos. 108521, 108523, 108531, 108534, 108542, 108551, 108559.		
	No. 292201 Cylinder Assembly	14	
	Used on type Nos. 108528, 108536.		
	No. 292461 Cylinder Assembly	14	
	Used on type Nos. 107542, 107562, 107579.		
	Includes: No. 91648 Screw—Cap, Hex. Hd.— $\frac{1}{8}$ -24x $\frac{1}{2}$ ".....		1
	No. 91865 Washer—Lock		1
	No. 292514 Cylinder Assembly	14	
	Used on type Nos. 107564, 107588.		
	No. 293838 Cylinder Assembly	14	
	Used on type No. 108541.		
291936	Cylinder Assembly—(Used on Models 8F and 8R-6).....	14	
	<i>Note:</i> No. 293167 Cylinder Assembly	14	
	Used on type Nos. 108810, 108811, 108812, 108821, 108822, 108823, 108825, 108826.		
	No. 292835 Cylinder Assembly	14	
	Used on type No. 107881.		
	No. 294660 Cylinder Assembly	14	
	Used on type No. 108827.		
291962	Gasket Set		4
292037	Cover and Filter—Air Cleaner		8
292038	Bowl—Air Cleaner		6

PARTS SECTION

MASTER PART NO.	NAME	SHIPPING WEIGHT	
		Lbs.	Oz.
292046	Spring—Starter		5
292149	Cable—Ignition		2
	<i>Note:</i> No. 292915 Cable—Ignition		4
	Used on type Nos. 107121, 107568, 107570, 107573, 107574, 107580, 107581, 108035, 108048, 108521, 108522, 108523, 108524, 108525, 108526, 108527, 108529, 108530, 108531, 108532, 108533, 108534, 108538, 108539, 108541, 108542, 108544, 108545, 108548, 108549, 108550, 108551, 108552, 108553, 108554, 108555, 108556, 108558, 108559, 108560, 108561, 108562.		
	No. 292946 Cable—Ignition		3
	Used on type Nos. 107050, 107081, 107093, 107148, 107853, 107906, 108027.		
	No. 293141 Cable—Ignition		3
	Used on type Nos. 107561, 107576, 107861, 107881, 108536, 108827.		
	No. 293154 Cable—Ignition		4
	Used on type No. 108523.		
292271	Ratchet—Recoil Starter		3
292272	Pulley—Recoil Starter	1	
292330	Control—Governor		3
292661	Pipe—Fuel—11" long		3
	<i>Note:</i> No. 69500 Pipe—Fuel—14" long		3
	Used on type Nos. 107076, 107829, 107857.		
	No. 89226 Pipe—Fuel—11½" long		3
	Used on type Nos. 107091, 107106, 107115, 107137, 107154, 107164, 107557, 107582, 107586, 107882, 107883.		
	No. 89663 Pipe—Fuel—11½" long		3
	Used on type No. 107876.		
	No. 290848 Pipe—Fuel—12¾" long		3
	Used on type Nos. 107527, 108563.		
	No. 291045 Pipe—Fuel—10¼" long		3
	Used between carburetor and fuel pump on type Nos. 107051, 107149, 107172, 108528, 108531, 108536, 108559.		
	The following Fuel Pipes and Fittings are used on type Nos. 107033, 107065, 107169, 107534, 107540, 107550, 107551, 107552, 107575, 107579, 107585, 107588, 107589, 107832, 107858.		
	No. 92713 Coupling		1
	No. 99511 Tee		1
	No. 292486 Wing Plug, Chain and Clip Assembly		1
	No. 292908 Pipe—Fuel (short)		1
	No. 292909 Pipe—Fuel (long)		3
	The following Fuel Pipes and Fittings used on type No. 108562:		
	No. 92713 Coupling		1
	No. 99511 Tee		1
	No. 292486 Wing Plug, Chain and Clip Assembly		1
	No. 294731 Pipe—Fuel (long)		3
	No. 294747 Pipe—Fuel (short)		1
	No. 293055 Pipe—Fuel—7½" long		2
	Used on type Nos. 107053, 107060, 107063, 107066, 107068, 107085, 107113, 107162, 107176, 107827, 107881, 107890, 107894, 107904, 108024, 108030, 108045.		
	No. 293064 Pipe—Fuel—7½" long		2
	Used on type Nos. 107069, 107080, 107089, 107828, 107873, 107906.		
	No. 293203 Pipe—Fuel—14½" long		3
	Used on type Nos. 107061, 107101, 107102, 107891.		
	No. 293250 Pipe—Fuel—12¼" long		3
	Used on type Nos. 107059, 107133, 107542, 107555, 108023, 108032, 108042, 108050, 108525, 108526, 108530, 108533, 108534, 108539, 108547, 108550, 108553, 108556, 108558, 108561.		

(See following page)

PARTS SECTION

MASTER PART NO.	NAME	SHIPPING WEIGHT	
		Lbs.	Oz.
	No. 293562 Pipe—Fuel—7½" long		2
	Used on type Nos. 107120, 107130, 107151, 107152.		
	No. 293776 Pipe—Fuel—11" long		3
	Used on type Nos. 107071, 107084, 107088.		
	No. 293995 Pipe—Fuel		3
	Used on type No. 108827.		
	No. 294184 Pipe—Fuel—14½" long		3
	Used on type No. 107148.		
	No. 295050 Pipe—Fuel		1
	Used on type Nos. 107134, 107143, 107153, 107157, 107161, 107175, 107178, 107567, 107569, 107571, 107901, 107918.		
	Uses: { No. 230317 Connector (at tank valve)		1
	{ No. 230318 Connector (at carburetor)		1
292681	Valve Assembly—Carburetor Idle		1
292797	Outlet—Fuel Tank (includes strainer)		2
292920	Control—Throttle		6
292932	Thermostat Assembly		7
292934	Magneto Assembly	4	
	Note: No. 292935 Magneto Assembly	4	
	Used on type Nos. 107031, 107034, 107037, 107143, 107155, 107156, 107163, 107164, 107178, 107563, 107578, 107838, 107890, 107894, 107911.		
	Includes: No. 66155 Wire—Ground		1
	No. 292936 Magneto Assembly	4	
	Used on type Nos. 107121, 107568, 107570, 107573, 107574, 107580, 107581.		
	Includes: No. 292042 Wire—Ground		1
	No. 292937 Magneto Assembly	4	
	Used on type Nos. 107542, 107562, 107579.		
	No. 292938 Magneto Assembly	4	
	Used on type Nos. 108010, 108011, 108017, 108021, 108022, 108024, 108025, 108026, 108028, 108029, 108030, 108031, 108032, 108033, 108034, 108037, 108038, 108039, 108040, 108041, 108043, 108044, 108045, 108046, 108047, 108049, 108051, 108052, 108054, 108055, 108510, 108511, 108517, 108537, 108543, 108546, 108557, 108563, 108810, 108811, 108812, 108821, 108822, 108823, 108824, 108825, 108826.		
	No. 292939 Magneto Assembly	4	
	Used on type Nos. 108035, 108048, 108521, 108522, 108523, 108524, 108525, 108526, 108527, 108529, 108530, 108531, 108532, 108533, 108534, 108538, 108539, 108541, 108542, 108544, 108545, 108548, 108549, 108550, 108551, 108552, 108553, 108554, 108555, 108556, 108558, 108559, 108560, 108561, 108562.		
	Includes: No. 292042 Wire—Ground		1
	No. 292975 Magneto Assembly	4	
	Used on type Nos. 107050, 107081, 107093, 107148, 107353.		
	No. 292976 Magneto Assembly	4	
	Used on type No. 108027.		
	No. 292980 Magneto Assembly	4	
	Used on type Nos. 107042, 107076, 107135, 107329, 107857.		
	Includes: No. 292042 Wire—Ground		1
	No. 292981 Magneto Assembly	4	
	Used on type Nos. 108023, 108042, 108547.		
	Includes: No. 292042 Wire—Ground		1
	No. 293184 Magneto Assembly	4	
	Used on type No. 108528.		
	Includes: No. 292042 Wire—Ground		1

(See following page)

PARTS SECTION

MASTER PART NO.	NAME	SHIPPING WEIGHT	
		Lbs.	Oz.
	No. 293238 Magneto Assembly	4	
	Used on type Nos. 107561, 107576, 107861, 107881.		
	Includes: No. 292042 Wire—Ground		1
	No. 293245 Magneto Assembly	4	
	Used on type Nos. 108036, 108050, 108053, 108535, 108540.		
	Includes: No. 66155 Wire—Ground		1
	No. 293751 Magneto Assembly	4	
	Used on type Nos. 108536, 108827.		
	Includes: No. 292042 Wire—Ground		1
	No. 294446 Magneto Assembly	4	
	Used on type No. 108032.		
	No. 294468 Magneto Assembly	4	
	Used on type Nos. 107051, 107172.		
	No. 294517 Magneto Assembly	2	
	Used on type No. 107906.		
	Includes: No. 292042 Wire—Ground		1
292940	Plate—Magneto	2	
	<i>Note:</i> No. 292941 Plate—Magneto	2	
	Used on type Nos. 107031, 107034, 107137, 107143, 107155, 107156, 107163, 107164, 107178, 107563, 107578, 107838, 107890, 107894, 107911, 108036, 108050, 108053, 108535, 108540.		
	No. 292942 Plate—Magneto	2	
	Used on type Nos. 107542, 107562, 107579.		
292943	Blade—Governor		3
	<i>Note:</i> No. 294467 Blade—Governor		3
	Used on type Nos. 107051, 107172.		
292945	Tank Assembly—Fuel	3	
	<i>Note:</i> No. 290816 Tank Assembly—Fuel	2	8
	Used on type No. 107146.		
	Mounting parts for No. 290816 tank are supplied by the equip- ment manufacturer)		
	No. 291420 Tank Assembly—Fuel	3	
	Used on type Nos. 107527, 108022, 108563.		
	(Mounting parts for No. 291420 tank used on type No. 108022 are supplied by equipment manufacturer)		
	<i>The following parts used to mount tank No. 291420 on type Nos. 107527, 108563:</i>		
	No. 62965 Strap—Fuel Tank (2)		3
	No. 67072 Washer—Tank Mounting (2)		1
	No. 90083 Screw—Machine, Rd. Hd.—10-32x $\frac{5}{8}$ " (2)		1
	No. 90321 Nut—Square—10-32 (4)		1
	No. 91366 Screw—Machine, Rd. Hd.—10-32x $\frac{7}{8}$ " (2)		1
	No. 92290 Washer—Lock—No. 10x $\frac{15}{16}$ x $\frac{3}{4}$ " (4)		1
	No. 291488 Tank Assembly—Fuel	2	
	Used on type No. 107153.		
	Uses: No. 22813 Bracket—Fuel Tank	1	
	No. 22907 Support—Upper Fuel Tank		3
	No. 291490 Strap Assembly—Fuel Tank		8
	Uses: No. 91257 Screw—Cap (2)		1
	No. 90970 Nut—Square (2)		1
	No. 292944 Tank Assembly—Fuel	2	
	Used on type Nos. 107022, 107026, 107027, 107028, 107037, 107039, 107047, 107049, 107053, 107068, 107069, 107075, 107080, 107081, 107083, 107085, 107089, 107093, 107095, 107096, 107106, 107110, 107113, 107120, 107127, 107130, 107145, 107148, 107151, 107152, 107161, 107528, 107548, 107554, 107590, 107826, 107833, 107844, 107847, 107854, 107888, 107890, 107894, 107909, 107912, 108024,		

(See following page)

PARTS SECTION

MASTER PART NO.	NAME	SHIPPING WEIGHT	
		Lbs.	Oz.
	108025, 108026, 108028, 108030, 108031, 108033, 108034, 108037, 108039, 108044, 108045, 108049, 108525, 108539, 108558, 108823, 108824, 108826.		
	No. 294692 Tank Assembly	3	
	Used on type No. 108827.		
	Uses: No. 293007 Strainer—Fuel		3
292963	Control—Governor		3
293005	Wire—Ground—79" long		2
	Note: No. 293027 Wire—Ground		2
	Used on type No. 107042.		
	No. 293204 Wire—Ground		1
	Used on type Nos. 108523, 108526, 108529, 108553, 108556.		
	No. 293212 Wire—Ground		1
	Used on type Nos. 107135, 108523, 108530, 108531, 108533, 108534, 108547, 108551, 108561.		
293194	Bracket and Tube—Thermostat		6
293336	Control—Top Speed Limit		3
	Note: No. 294020 Device—Fixed Speed		3
	Used on type Nos. 107117, 107123, 107124.		
293432	Starter Pulley with Screen		8
293477	Float—Carburetor		3
	Note: No. 99622 Float—Carburetor		3
	Used on engines before Serial No. 390023.		
293478	Valve and Seat—Fuel Inlet		1
	Note: No. 99636 Valve and Seat—Fuel Inlet		1
	Used on engines before Serial No. 390023		
293515	Body—Lower Carburetor		6
293517	Cleaner Assembly—Air (Used only with No. 294075 type carburetor)...	1	
293578	Clutch Assembly—Recoil Starter	1	8
293642	Housing—Blower and Starter (For Recoil Starter)	2	
	Note: No. 293800 Housing—Blower and Starter (For Recoil Starter)...	2	
	Used on type Nos. 107561, 107570, 107906, 108048, 108538, 108539, 108551, 108558, 108560, 108562.		
	No. 294172 Housing—Blower and Starter (For Recoil Starter)...	2	
	Used on type Nos. 107168, 107174, 107578, 107898, 107910.		
293934	Valve Assembly—Fuel Shut-Off		1
293991	Bowl—Air Cleaner		6
294075	Carburetor Assembly (with integral air cleaner elbow).....	1	
	Used on engines after Serial No. 569568.		
	Note: No. 294089 Carburetor Assembly	1	
	Used after Serial No. 569568 on type Nos. 107033, 107065, 107169, 107534, 107540, 107550, 107551, 107552, 107575, 107579, 107585, 107589, 107832, 107858.		