



# Illustrated Parts List

## Model Series

# 31M700

TYPE NUMBERS  
0101 THROUGH 0237

### TABLE OF CONTENTS

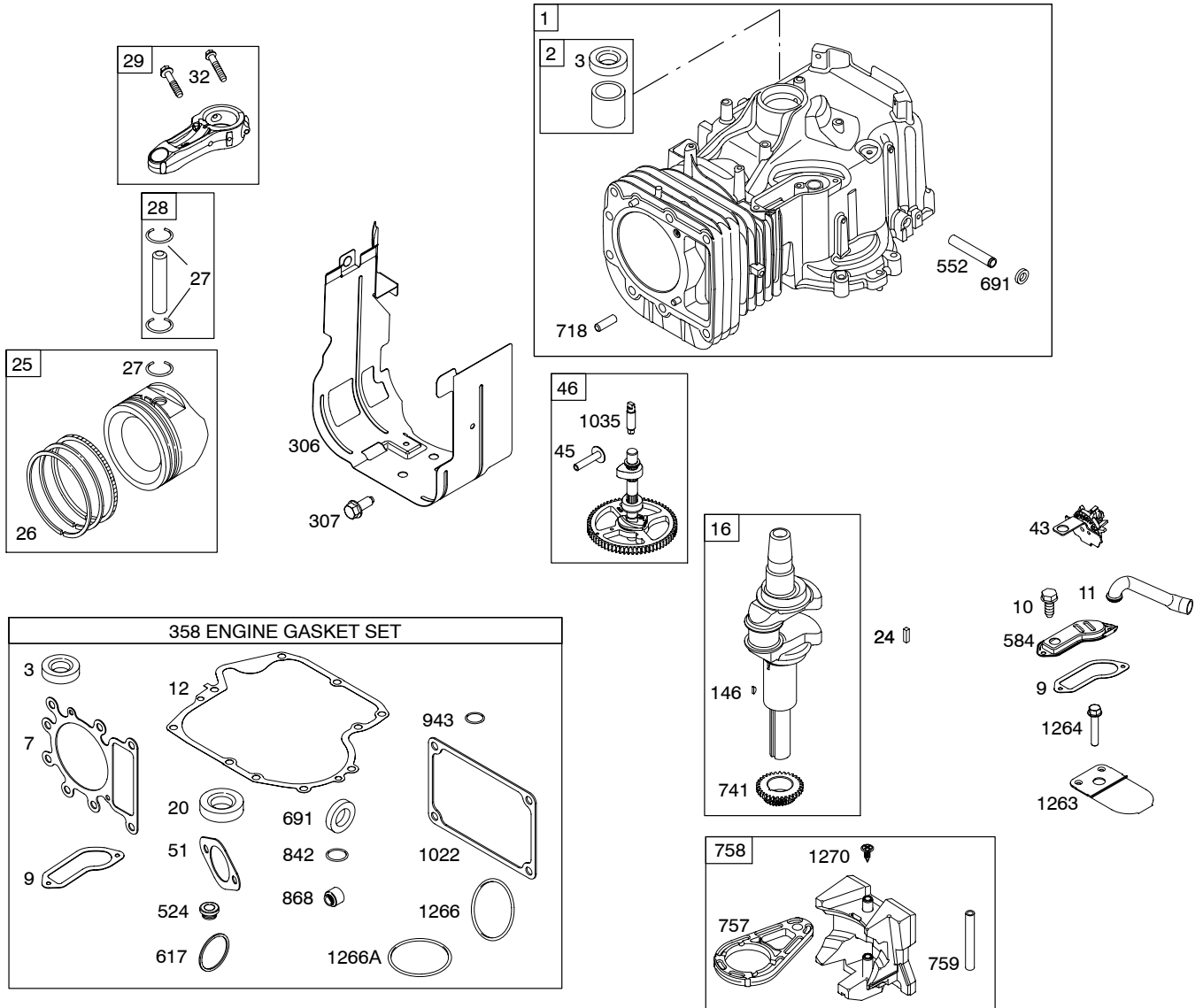
Air Cleaner .....	5
Alternator .....	7
Blower Housing .....	5
Camshaft .....	2
Carburetor .....	4
Controls .....	7
Crankshaft .....	2
Cylinder .....	2
Cylinder Head .....	3
Electric Starter .....	7
Engine Sump .....	2
Flywheel .....	6
Fuel Supply .....	4
Gasket Set - Engine .....	2
Gasket Set - Valve .....	3
Governor Spring .....	7
Ignition .....	7
Kit - Carburetor Overhaul .....	4
Lubrication .....	3
Piston, Rings, Connecting Rod .....	2
Valves .....	3



PRINTED IN U.S.A.

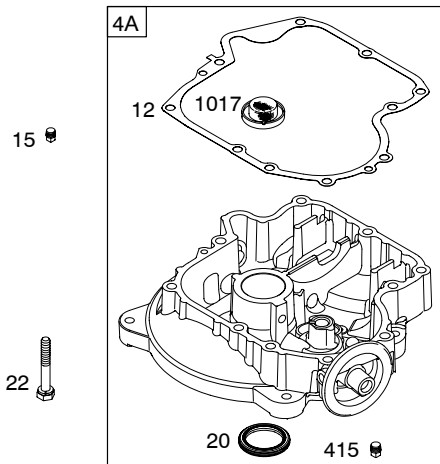
COPYRIGHT by BRIGGS & STRATTON CORPORATION  
All rights reserved. No part of this material may be reproduced or transmitted, in any form or by any means, electronic or mechanical, including photocopying, recording or by any information storage and retrieval system, without permission in writing from Briggs & Stratton Corporation.

# 31M700

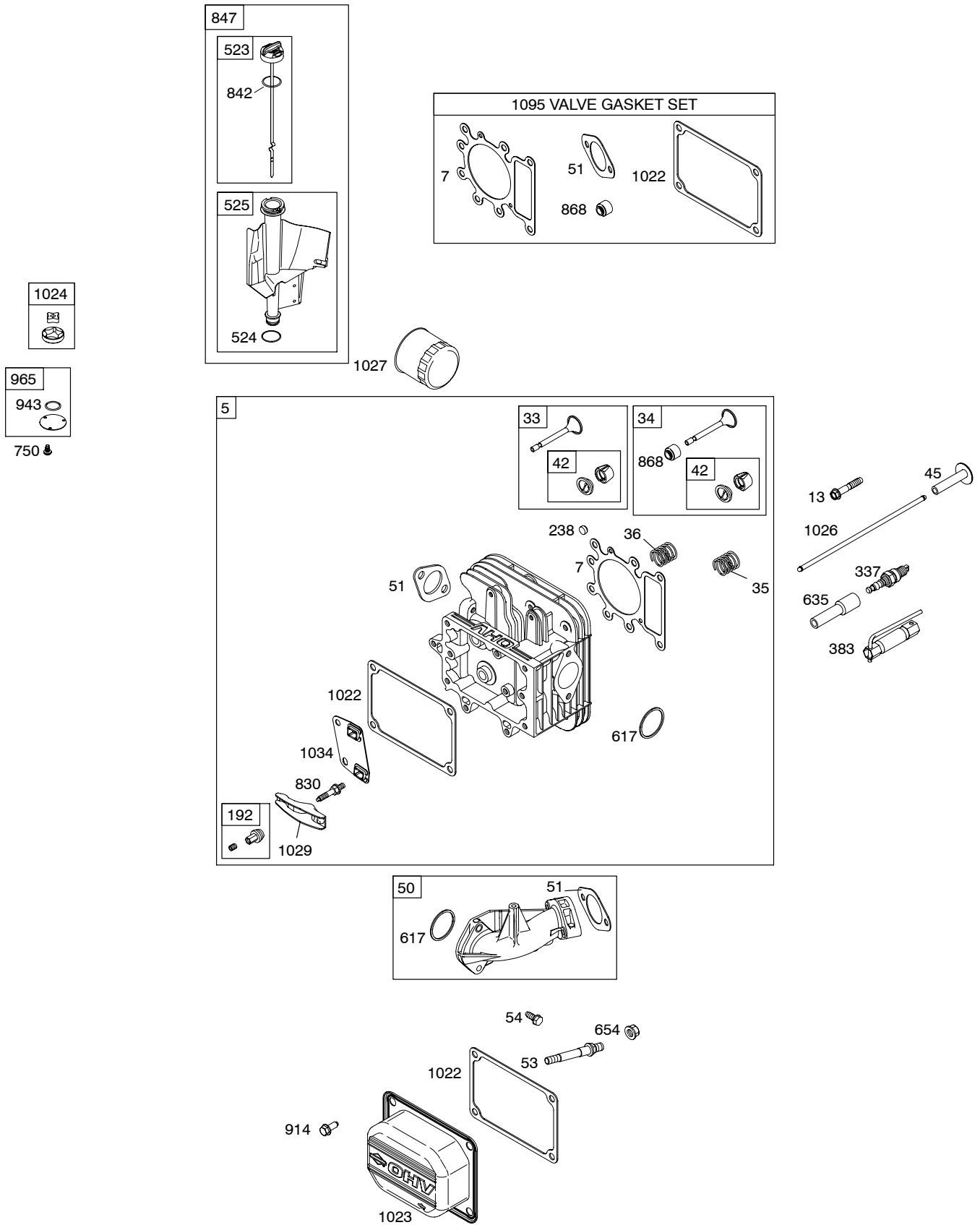


1058 OPERATOR'S MANUAL

1330 REPAIR MANUAL

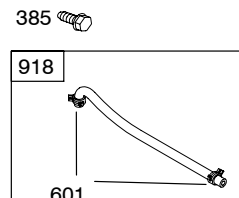
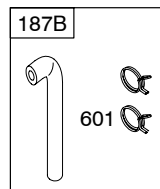
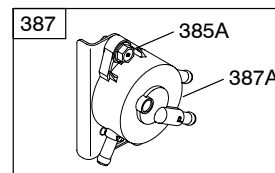
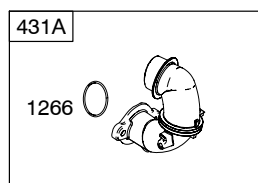
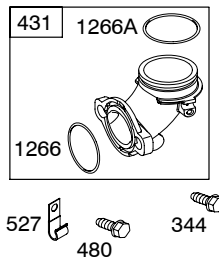
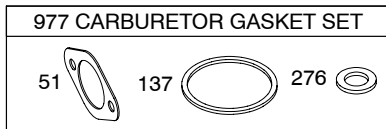
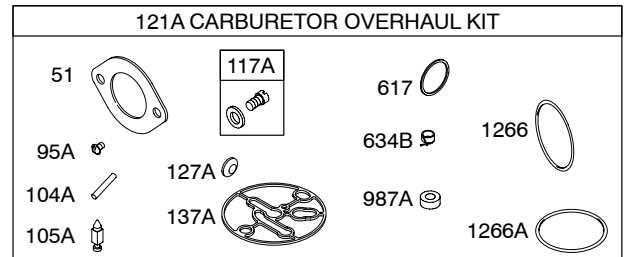
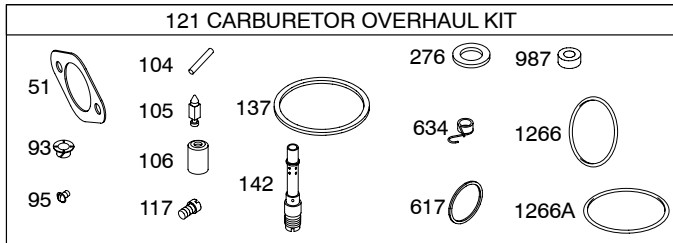
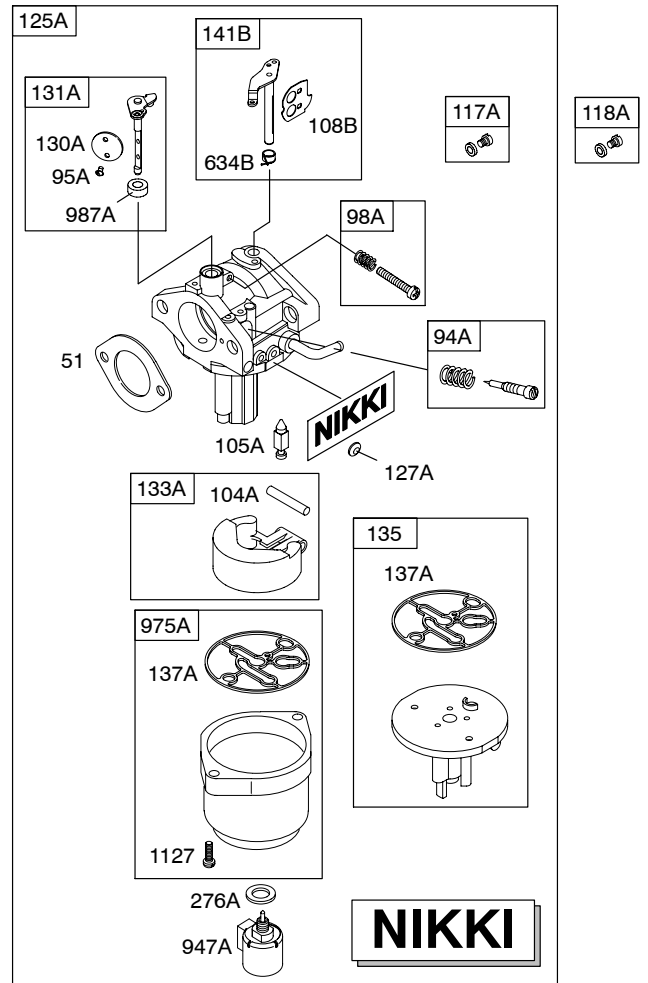
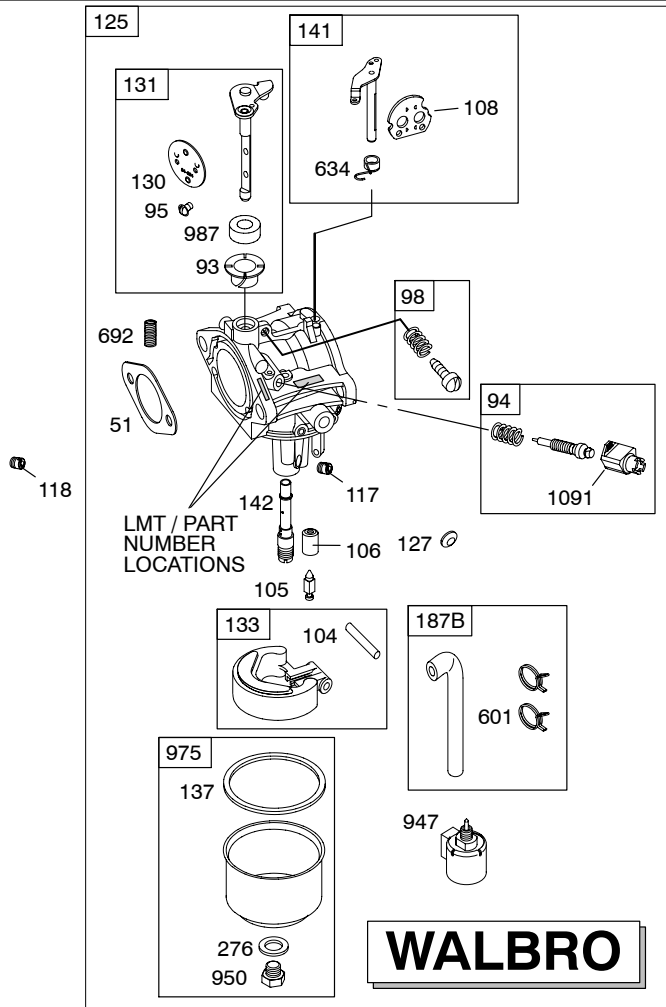


Illustrations cover a range of engines. Parts shown without corresponding text may not be used on your specific engine.  
 5643-2 Assemblies include all parts shown in frames. 03/13/2007

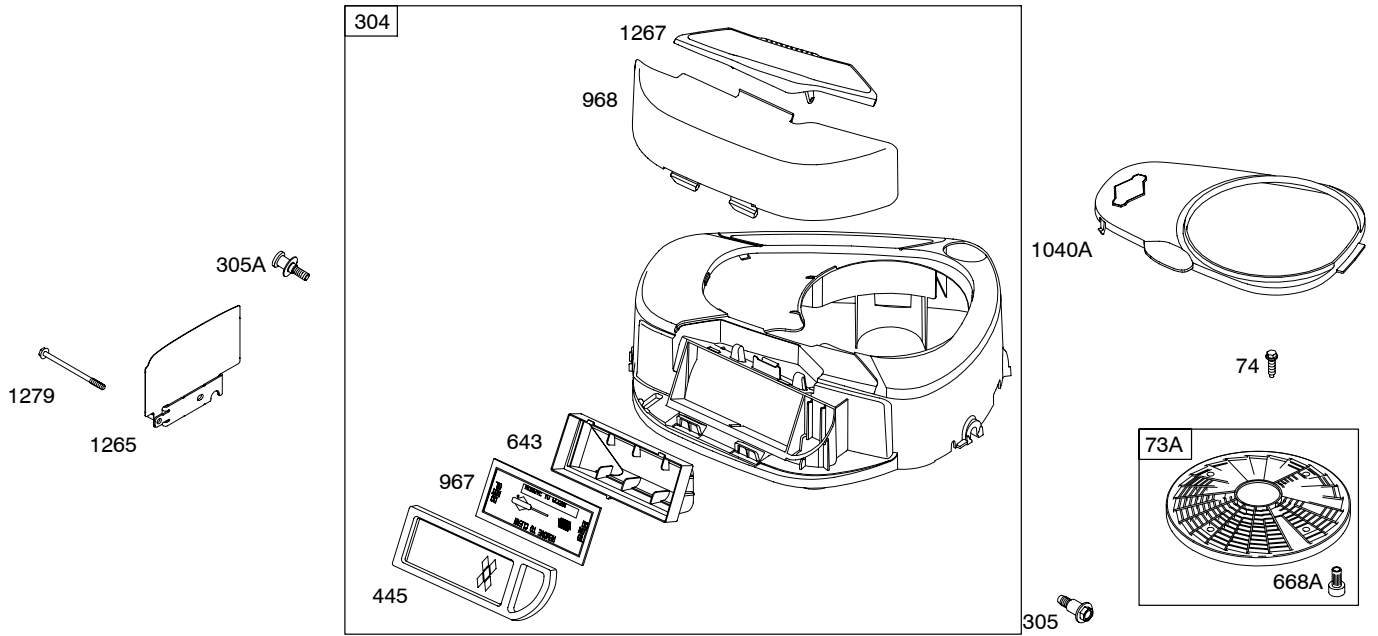


Illustrations cover a range of engines. Parts shown without corresponding text may not be used on your specific engine.  
 5643-3 Assemblies include all parts shown in frames. 03/13/2007

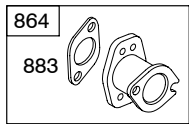
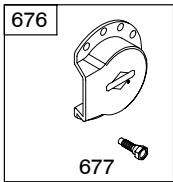
# 31M700



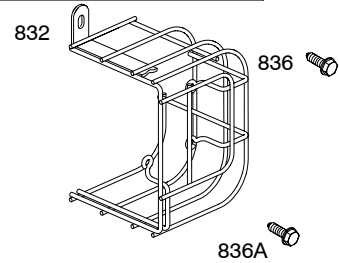
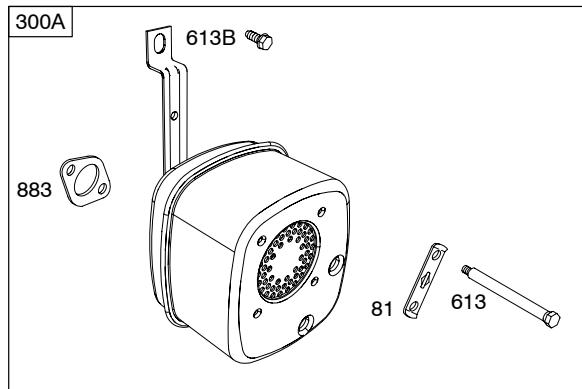
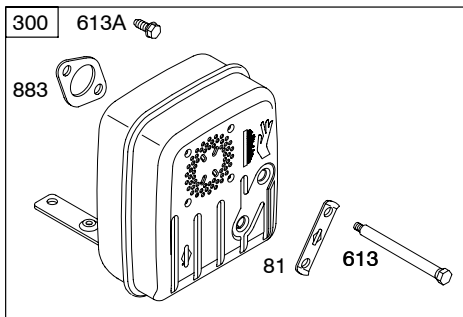
Illustrations cover a range of engines. Parts shown without corresponding text may not be used on your specific engine.  
 5643-4 Assemblies include all parts shown in frames. 03/13/2007

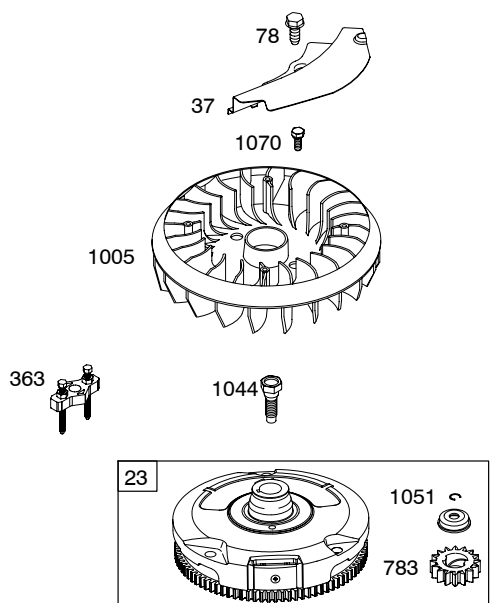


1036 EMISSIONS LABEL



823



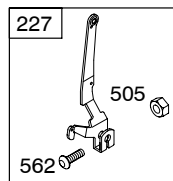
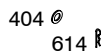
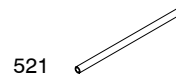
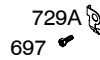
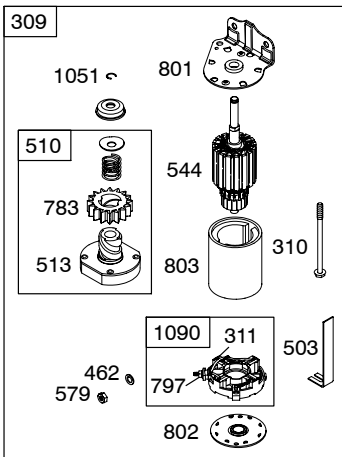
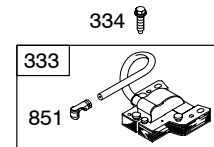
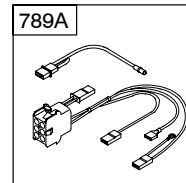
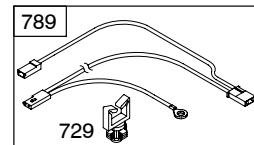


DUAL CIRCUIT		TRI CIRCUIT		10 AMP	
474A	1059	474B	1059	474C	1059
877		877B		877C	
878		878A		578	



**NOTE:** All stators use a No. 1119 mounting screw.

**NOTE:** The proper flywheel part number and/or the alternator magnet size will determine the alternator type or output. See repair instruction manual for additional information.



# 31M700

REF. NO.	PART NO.	DESCRIPTION	REF. NO.	PART NO.	DESCRIPTION	REF. NO.	PART NO.	DESCRIPTION
1	793987	Cylinder Assembly	26	791936	Ring Set (Standard) (Used After Code Date 06010100). ----- <b>Note</b> -----	81	691178	Lock-Muffler Screw
2	399265	Kit-Bushing/Seal (Magneto Side)				93	●690602	Bushing-Throttle Shaft
3	★391086s	Seal-Oil (Magneto Side)				94	498030	Kit-Idle Mixture
4A	697188	Sump-Engine				94A	695425	Kit-Idle Mixture
5	793990	Head-Cylinder				95	●691636	Screw (Throttle Valve)
7	★Δ794114	Gasket-Cylinder Head				95A	●690718	Screw (Throttle Valve)
9	★697109	Gasket-Breather				98	495800	Kit-Idle Speed
10	697157	Screw (Breather Assembly)				98A	695408	Kit-Idle Speed
11	697113	Tube-Breather				104	●690525	Pin-Float Hinge
12	★697110	Gasket-Crankcase (.015" Thick) (Standard)				104A	●694918	Pin-Float Hinge
13	793988	Screw (Cylinder Head) (Used After Code Date 07011400). ----- <b>Note</b> -----				105	●231855s	Valve-Float Needle
		690360 Scw (Cylinder Head) (Used Before Code Date 07011500).	27	698469	Lock-Piston Pin	105A	●696136	Valve-Float Needle
			28	697099	Pin-Piston	106	●690577	Seat-Inlet (Gravity Feed) ----- <b>Note</b> -----
			29	791632	Rod-Connecting (Standard) ----- <b>Note</b> -----			●691780 Seat-Inlet (Pump Feed)
						108	692344	Valve-Choke
15	690946	Plug-Oil Drain (Square Head) ----- <b>Note</b> -----				108B	695419	Valve-Choke
		691680 Plug-Oil Drain (Square Socket) Used on Type No(s). 0215.				117	●694352	Jet-Main (Standard)
						117A	●699457	Jet-Main (Standard)
16	697516	Crankshaft	32	791118	Screw (Connecting Rod)	118	697228	Jet-Main (High Altitude)
20	★791892	Seal-Oil (PTO Side)	33	792868	Valve-Exhaust	118A	699458	Jet-Main (High Altitude)
22	692125	Screw (Crankcase Cover/Sump)	34	791935	Valve-Intake	121	697241	Kit-Carburetor Overhaul (Walbro)
23	693557	Flywheel Used on Type No(s). 0215, 0234. ----- <b>Note</b> -----	35	691279	Spring-Valve (Intake)	121A	699521	Kit-Carburetor Overhaul (Nikki Carburetor)
		693556 Flywheel Used on Type No(s). 0101, 0111, 0112, 0167, 0237.	36	691279	Spring-Valve (Exhaust)	125	791888	Carburetor (Walbro)(Gravity Feed)
24	222698s	Key-Flywheel	37	697108	Guard-Flywheel	125A	792358	Carburetor (Nikki)(Gravity Feed)
25	792507	Piston Assembly (Standard) ----- <b>Note</b> -----	42	499586	Keeper-Valve			
		792648 Piston Assembly (.020" Oversize)	43	691968	Slinger-Governor/Oil			
			45	690564	Tappet-Valve			
			46	793583	Camshaft			
			50	690193	Manifold-Intake			
			51★Δ●	692137	Gasket-Intake			
			53	690227	Stud (Carburetor)			
			54	691148	Screw (Intake Manifold)			
			73A	494439	Screen-Rotating			
			74	691674	Screw (Rotating Screen)			
			78	691003	Screw (Flywheel Guard)			

★ Included in Engine Gasket Set-Ref. No.358.

● Included in Carburetor Overhaul Kit-Ref. No. 121 or 121A.

◆ Included in Carburetor Gasket Set-Ref. No. 977.

Δ Included in Valve Gasket Set-Ref. No 1095.

**Illustrations cover a range of engines. Parts shown without corresponding text may not be used on your specific engine.**



# 31M700

REF. NO.	PART NO.	DESCRIPTION	REF. NO.	PART NO.	DESCRIPTION	REF. NO.	PART NO.	DESCRIPTION
127	695005	Plug-Welch	265	691024	Clamp-Casing	356	697089	Wire-Stop
127A	●690727	Plug-Welch	267	695134	Screw			Used on Type No(s).
130	691750	Valve-Throttle			(Casing Clamp)			0101, 0111, 0167,
130A	699500	Valve-Throttle			----- <b>Note</b> -----			0237.
131	790901	Kit-Throttle Shaft			690804 Screw	358	794150	Gasket Set-Engine
131A	699501	Kit-Throttle Shaft			(Casing Clamp)	363	19203	Puller-Flywheel
133	494381	Float-Carburetor			Used on Type No(s).	383	89838s	Wrench-Spark Plug
133A	694914	Float-Carburetor			0101, 0111, 0112.	385	694476	Screw
135	698780	Tube-Fuel Transfer	268	691025	Casing-Control Wire			(Fuel Pump)
		(Nikki)(Gravity Feed)			(Cut To Required			Used on Type No(s).
		----- <b>Note</b> -----			Length)			0111, 0112, 0167.
		792022 Tube-Fuel	269	691026	Wire-Control	385A	690297	Screw
		Transfer			(Cut To Required			(Fuel Pump)
		(Nikki)(Pump Feed)			Length)			Used on Type No(s).
137●◆281165s		Gasket-Float Bowl	270	691027	Nut			0111, 0112, 0167.
137A	●698781	Gasket-Float Bowl			(Control Wire Casing)	387	697090	Pump-Fuel
141	790902	Kit-Choke Shaft	271	691028	Lever-Control			Used on Type No(s).
141B	695420	Kit-Choke Shaft	276	◆692255	Washer-Sealing			0111, 0112, 0167.
142	●697140	Nozzle-Carburetor	276A	695410	Washer-Sealing	387A	808656	Pump-Fuel
		(Standard)	300	697349	Muffler			Used on Type No(s).
146	691639	Key-Timing			Used on Type No(s).			0111, 0112, 0167.
187B	791805	Line-Fuel			0111.	404	691691	Washer
		(Formed)(10-1/4	300A	698356	Muffler			(Governor Crank)
		Inches Long)(Cut to			Used on Type No(s).	415	690283	Plug
		Required Length)			0112.			(Engine Sump)
188	691693	Screw	304	790009	Housing-Blower	431	697122	Elbow-Intake
		(Control Bracket)			(Black)	445	697153	Filter-Air Cleaner
192	691986	Adjuster-Rocker Arm	305	697102	Screw			Cartridge
202	691841	Link-Mechanical			(Blower Housing)			(Washable)
		Governor	305A	697103	Screw	462	691261	Washer
209	692208	Spring-Governor			(Blower Housing)			(Starter Cable)
		----- <b>Note</b> -----	306	697107	Shield-Cylinder	474A	696459	Alternator
		790602 Spring-	307	691003	Screw			(Dual Circuit)
		Governor			(Cylinder Shield)			Used on Type No(s).
		Used on Type No(s).	309	693551	Motor-Starter			0215, 0234.
		0112.	310	690323	Screw	474B	696457	Alternator
216	691840	Link-Choke			(Starter Motor)			(Tri Circuit)
222	694042	Bracket-Control	311	497608	Brush Set			Used on Type No(s).
227	691374	Lever-Governor	333	492341	Armature-Magneto			0101, 0112, 0237.
		Control	334	691061	Screw	474C	696458	Alternator
232	691842	Spring-Governor Link			(Magneto Armature)			(10 Amp Circuit)
238	691843	Cap-Valve	337	491055s	Plug-Spark			Used on Type No(s).
240	394358s	Filter-Fuel			Used on Type No(s).			0111, 0167.
		(White, 75 Microns)			0101, 0112, 0215,	480	693675	Screw
		Used on Type No(s).			0234.			(Tube Clamp)
		0101, 0215, 0234,			----- <b>Note</b> -----			
		0237.			691043 Plug-Spark			
240B	695666	Filter-Fuel			Used on Type No(s).			
		(Includes 30 Micron	344	693675	Screw			
		Paper Element)			(Cable Clamp)			
		Used on Type No(s).						
		0111, 0112, 0167.						

★ Included in Engine Gasket Set-Ref. No.358.

● Included in Carburetor Overhaul Kit-Ref. No. 121 or 121A.

◆ Included in Carburetor Gasket Set-Ref. No. 977.

△ Included in Valve Gasket Set-Ref. No 1095.

**Illustrations cover a range of engines. Parts shown without corresponding text may not be used on your specific engine.**

5643-9

Assemblies include all parts shown in frames.

03/13/2007

# 31M700

REF. NO.	PART NO.	DESCRIPTION	REF. NO.	PART NO.	DESCRIPTION	REF. NO.	PART NO.	DESCRIPTION
501	691188	Regulator Used on Type No(s). 0101, 0112, 0237. ----- <b>Note</b> ----- 691185 Regulator Used on Type No(s). 0111, 0167.	584	697112	Cover-Breather Passage	789A	698329	Harness-Wiring Used on Type No(s). 0215, 0234, 0237.
503	691532	Strap-Starter	601	791850	Clamp-Hose	797	693167	Nut (Brush Retainer)
505	691251	Nut (Governor Control Lever)	613	691416	Screw (Muffler)	801	691283	Cap-Drive
510	693699	Drive-Starter	613A	690297	Screw (Muffler)	802	691286	Cap-End
513	692024	Clutch-Drive	613B	691678	Screw (Muffler)	803		Housing-Starter (Not Serviced Separately, Order Starter Motor 693551)
521	690581	Shield-Cable	614	691620	Pin-Cotter	823	698941	Screw (Muffler Adapter) Used on Type No(s). 0111, 0112.
523	699908	Dipstick	616	692012	Crank-Governor	830	691095	Stud-Rocker Arm
524	★691032	Seal-Dipstick Tube	617	★692138	Seal-O Ring (Intake Manifold)	832	790244	Guard-Muffler Used on Type No(s). 0112.
525	697184	Tube-Dipstick Used on Type No(s). 0101, 0112, 0215, 0234, 0237. ----- <b>Note</b> ----- 697085 Tube-Dipstick Used on Type No(s). 0111, 0167.	634	●690802	Spring/Seal Assembly	836	691676	Screw (Muffler Guard)
526	697088	Screw (Regulator) Used on Type No(s). 0101, 0112, 0237. ----- <b>Note</b> ----- 697348 Screw (Regulator) Used on Type No(s). 0111, 0167.	634B	●698779	Spring/Seal Assembly	836A	690367	Screw (Muffler Guard)
527	698467	Clamp-Tube	635	691909	Boot-Spark Plug	842	★691031	Seal-O Ring (Dipstick Tube)
544	692034	Armature-Starter	643	698401	Retainer-Air Filter	847	790442	Dipstick/Tube Assembly Used on Type No(s). 0101, 0215, 0234, 0237. ----- <b>Note</b> ----- 790443 Dipstick/Tube Assembly Used on Type No(s). 0111, 0112, 0167.
552	697144	Bushing-Governor Crank	654	690958	Nut (Carburetor)	851	692424	Terminal-Spark Plug
559	697561	Screw (Remote Choke Stop) Used on Type No(s). 0111, 0237. ----- <b>Note</b> ----- 693675 Screw (Remote Choke Stop) Used on Type No(s). 0112.	668A	691500	Spacer (Rotating Screen)	864	697346	Adapter-Muffler Used on Type No(s). 0111, 0112.
562	691119	Bolt (Governor Control Lever)	676	397630	Deflector-Muffler Used on Type No(s). 0112.	868	★△690968	Seal-Valve
578	692306	Wire Assembly	677	690661	Screw (Muffler Deflector) Used on Type No(s). 0112.	877	393456	Wire/Connector-Alternator (Dual Circuit)
579	691029	Nut (Starter Cable)	691	★692407	Seal-Governor Shaft	877B	393537	Wire/Connector-Alternator (Tri Circuit)
			692	690572	Spring-Detent	877C	399916	Wire/Connector-Alternator (10 Amp Circuit)
			697	690372	Screw (Drive Cap)			
			718	690959	Pin-Locating			
			729	691335	Clip-Wire (Wire Saddle)			
			729A	691224	Clip-Wire (Aluminum Coated Steel)			
			741	697128	Gear-Timing			
			750	790832	Screw (Oil Pump Cover)			
			757	697607	Link-Counterweight			
			758	697134	Counterweight			
			759	697392	Pin-Counterweight			
			783	693713	Gear-Pinion			
			789	692037	Harness-Wiring Used on Type No(s). 0101, 0111, 0112, 0167.			

★ Included in Engine Gasket Set-Ref. No.358.

● Included in Carburetor Overhaul Kit-Ref. No. 121 or 121A.

◆ Included in Carburetor Gasket Set-Ref. No. 977.

△ Included in Valve Gasket Set-Ref. No 1095.

**Illustrations cover a range of engines. Parts shown without corresponding text may not be used on your specific engine.**

# 31M700

REF. NO.	PART NO.	DESCRIPTION	REF. NO.	PART NO.	DESCRIPTION	REF. NO.	PART NO.	DESCRIPTION
878	398661	Harness-Alternator (Dual Circuit)	1022★△272475s		Gasket-Rocker Cover	1090	691293	Retainer-Brush
878A	691955	Harness-Alternator (Tri Circuit)	1023	791079	Cover-Rocker	1091	691333	Cap-Limiter
883	692236	Gasket-Exhaust	1024	499054	Pump-Oil	1095	690190	Gasket Set-Valve
914	691108	Screw (Rocker Cover)	1026	692003	Rod-Push (Intake)	1119	691183	Screw (Alternator)
918	791851	Hose-Vacuum Used on Type No(s). 0111, 0112, 0167.			----- <b>Note</b> -----	1127	695407	Screw (Float Bowl)
943	★690589	Seal-O Ring (Oil Pump Cover)			692011 Rod-Push (Exhaust)	1263	697124	Reed-Breather (Breather Reed)
947	694393	Solenoid-Fuel	1027	696854	Filter-Oil	1264	697104	Screw (Breather Reed)
947A	699915	Solenoid-Fuel	1029	691751	Arm-Rocker	1265	697125	Support-Blower Housing
950	691657	Screw-Float Bowl	1034	690822	Guide-Push Rod	1266	★●691917	Seal-O Ring (Intake Elbow)
965	499613	Cover-Oil Pump	1035	693784	Shaft-Pump	1266A	★●697123	Seal-O Ring (Intake Elbow)
967	697015	Filter-Pre Cleaner	1036		Label-Emissions (Available From A Briggs & Stratton Authorized Dealer)	1267	697575	Latch-Blower Housing
968	697574	Cover-Air Cleaner	1040A	698470	Plate-Trim	1270	697156	Plug-AVS Counterweight
975	495933	Bowl-Float	1044	698139	Screw (Flywheel)	1279	691108	Screw (Blower Housing Support)
975A	699502	Bowl-Float	1051	691265	Ring-Retaining	1330	272147	Repair Manual
977	690192	Gasket Set-Carburetor	1054	280275	Tie-Cable			
987	●691326	Seal-Throttle Shaft	1058	276344	Operator's Manual			
987A	●698777	Seal-Throttle Shaft	1059	698516	Kit-Screw/Washer			
1005	697111	Fan-Flywheel	1070	690372	Screw (Flywheel Fan)			
1017	690770	Screen-Oil Pump (Push In)						

★ Included in Engine Gasket Set-Ref. No.358.

● Included in Carburetor Overhaul Kit-Ref. No. 121 or 121A.

◆ Included in Carburetor Gasket Set-Ref. No. 977.

△ Included in Valve Gasket Set-Ref. No 1095.

**Illustrations cover a range of engines. Parts shown without corresponding text may not be used on your specific engine.**  
**5643-11** Assemblies include all parts shown in frames. **03/13/2007**