

FMR-7036



EN | Installation Instructions
Fire Annunciator Keypad



BOSCH

Contents

Contents	2
1.0 Notice	3
2.0 Device Description	3
3.0 Installing the Reference Card	3
4.0 Mounting the FMR-7036	3
4.1 Surface Mounting.....	3
4.2 Electrical Box Mounting.....	3
5.0 Setting the FMR-7036 Address	4
6.0 Wiring the FMR-7036	4
7.0 FMR-7036 Programming	5
7.1 FPD-7024 Local Programming	5
7.2 FPD-7024 Remote Programming	5
8.0 FMR-7036 Operation	5
8.1 Silence	5
8.2 Reset.....	6
8.3 Scrolling Buttons	6
8.4 Keylock Switch.....	6
8.5 Display.....	6
8.6 Reset Switch.....	6
9.0 Troubleshooting	7
10.0 Specifications	7

Figures

Figure 1: FMR-7036 Fire Annunciator Keypad.....	3
Figure 2: Reference Card Installation	3
Figure 3: Mounting Hole Locations	4
Figure 4: Inside View of FMR-7036 Keypad	4
Figure 5: FMR-7036 Address Jumper Settings.....	4
Figure 6: FMR-7036 Wire Connections.....	5

Tables

Table 1: FMR-7036 LED Functions.....	6
Table 2: FMR-7036 Troubleshooting Tips.....	7
Table 3: FMR-7036 Specifications.....	7

1.0 Notice

These instructions cover the installation of the Bosch Security Systems, Inc. FMR-7036 Fire Annunciator Keypad in a fire system supervised by a Bosch FPD-7024 Fire Alarm Control/Communicator.

Install, test and maintain the FMR-7036 according to these instructions, NFPA 72, local codes, and the authority having jurisdiction. Failure to follow these instructions may result in failure of the device to operate properly. Bosch Security Systems, Inc. is not responsible for improperly installed, tested or maintained devices.



NFPA 72 requires a complete system-wide functional test be performed following any modifications, repair, upgrades, or adjustments made to the system's components, hardware, wiring, programming, and software/firmware.

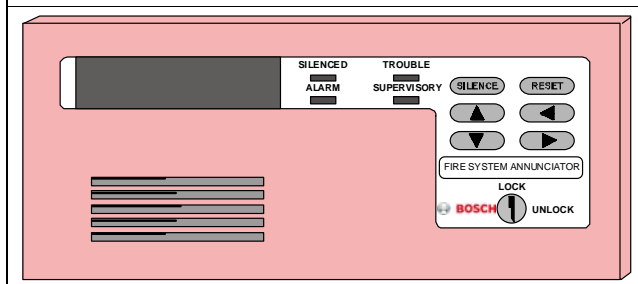


These instructions contain procedures to follow in order to avoid personal injury and damage to equipment.

2.0 Device Description

The FMR-7036 is a four-wire LCD annunciator keypad for the FPD-7024 Fire Alarm Control/Communicator. It may be surface mounted to a standard three-gang box or with the provided mounting backplate.

Figure 1: FMR-7036 Fire Annunciator Keypad



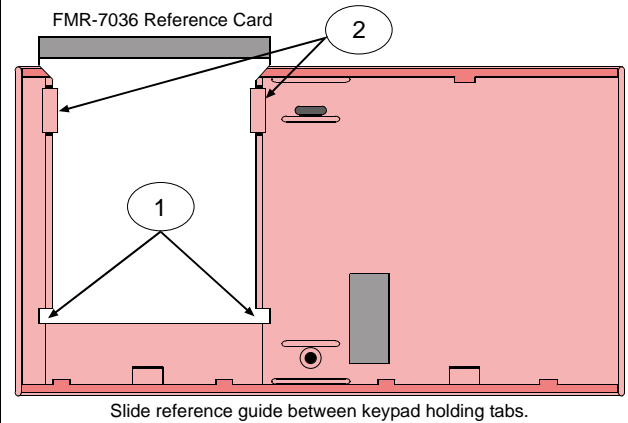
3.0 Installing the Reference Card

A quick-reference card is provided and needs to be installed in the receiving slot indicated in *Figure 2*. The slot is located behind the mounting base holding the circuit board.



Install the reference card before securing the keypad.

Figure 2: Reference Card Installation



- 1 - Reference Card Stopper Tabs
- 2 - Holding Tabs

4.0 Mounting the FMR-7036

The keypad should be mounted no higher than shoulder height of the shortest person using the system.

Remove the keypad's cover.

Insert a small flathead screwdriver in each slot at the bottom of the base. Press up, and pull the cover off.

4.1 Surface Mounting

Use the base as a template to mark the location of the mounting holes (refer to *Figure 3* on page 4 for mounting hole location).

Provide an opening in the mounting surface for the wiring.

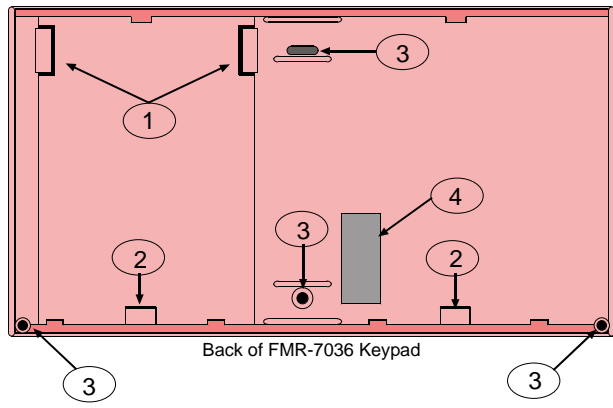
Pre-start the mounting screws.

Do not secure the base at this point.

4.2 Electrical Box Mounting

Refer to *Figure 3* on page 4 for the location of the mounting holes.

Figure 3: Mounting Hole Locations

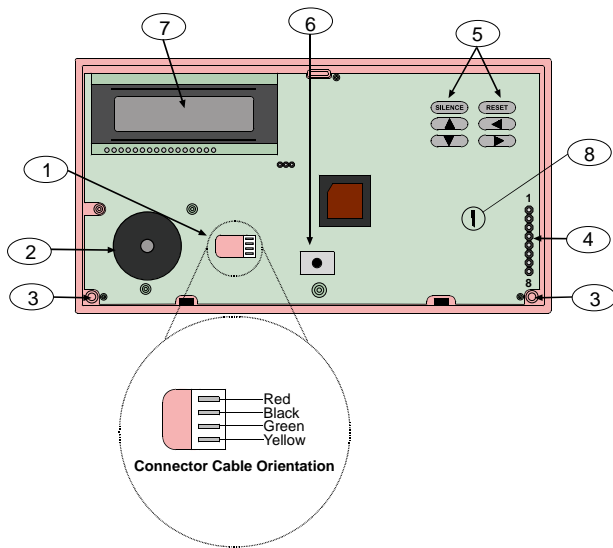


- 1 - Holding tabs for reference guides
- 2 - Release tab
- 3 - Mounting Hole
- 4 - Wire Entrance



Do not secure the base at this point.

Figure 4: Inside View of FMR-7036 Keypad



- 1 - Wire Entrance
- 2 - Internal Sounder
- 3 - Mounting Hole
- 4 - Address jumper pins
- 5 - Control Keys
- 6 - Reset switch
- 7 - 2-line 16-character display
- 8 - Lock

5.0 Setting the FMR-7036 Address



Each keypad must have its address set with its address pins. The keypads must also be programmed at the control panel.

Figure 5: FMR-7036 Address Jumper Settings

Address 1 1 2 3 4 5 6 7 8	Address 2 1 2 3 4 5 6 7 8	Address 3 1 2 3 4 5 6 7 8
Address 4 1 2 3 4 5 6 7 8	Address 5 1 2 3 4 5 6 7 8	Address 6 1 2 3 4 5 6 7 8
Address 7 1 2 3 4 5 6 7 8	Address 8 1 2 3 4 5 6 7 8	Address 9 1 2 3 4 5 6 7 8
Address 10 1 2 3 4 5 6 7 8	Address 11 1 2 3 4 5 6 7 8	Address 12 1 2 3 4 5 6 7 8
Address 13 1 2 3 4 5 6 7 8	Address 14 1 2 3 4 5 6 7 8	Do not use address 15

Select the keypad address (1-14).

Place the shorting jumpers over the address pins as shown in *Figure 5*.



Each option bus device must have its own address, and each address can only support one device.

6.0 Wiring the FMR-7036



Be sure all wiring is un-powered before routing. Keypad wiring cannot be run with smoke detector wiring, NAC wiring or MUX loop wiring.

For the FPD-7024 FACP, the maximum allowed DC current draw from the auxiliary power is 500 mA for keypads. The maximum length of wire (all branches added together) that can be connected to the option bus terminals is 4000 ft (1,219 m).

The maximum length between any one device and the panel terminals depends on the current drawn on the branch that the device is on. The current draw on a particular branch can be found by adding together the individual current draws of each device connected to the branch.

Refer to the FPD-7024 *Installation Guide* (P/N: F01U008458) for detailed wire length calculations.



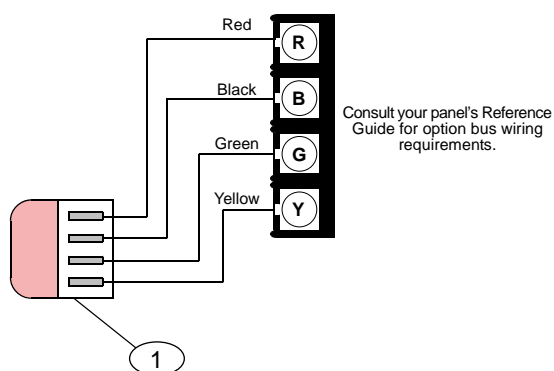
Up to three keypads may be used on any single 1,000 ft. (305 m) run of #18 AWG (1.2 mm) wire.

Bring the wiring through the wire entrance in the keypad's base. Connect the wiring to the keypad's connector. Refer to *Figure 4* on page 4.

Secure the base.

Place the keypad cover onto the base. Make sure the openings for the rubber keys line up and do not crush the keys beneath the grid. Test each key to ensure proper operation.

Figure 6: FMR-7036 Wire Connections



1 - FMR-7036 Wire Connector

7.0 FMR-7036 Programming

When the Silence or Reset keys on the FMR-7036 keypad are pressed, the keypad transmits a pre-programmed, hard coded key sequence of 9753, followed by a control character that either silences or resets the control.

In order for the FMR-7036 to work with the control, a passcode of 9753 must be programmed into the control. See the following instructions for specific control panel programming.

7.1 FPD-7024 Local Programming

1. Enter the programming mode using the correct programming passcode.
2. Select menu item 2-SECURITY.
3. Select menu item 1-PINS.
4. Select menu item 2-USER PINS.
5. Enter a User Number. Pick a user who has not already been assigned a PIN.
6. Enter 9753 for the PIN.
7. Press [*] twice to view the SECURITY menu.

8. Press [2] to select 2-AUTHORITY LEVEL.
9. Press [2] to select 2-MEDIUM.
10. Press [*] to exit programming mode.
11. Test all FMR-7036 functions.



A PIN is required for remote devices to enable the use of the FMR-7036. To do this, press [3] for PROG SYSTEM, [5] for PIN REQUIRED?, [2] for REMOTE PIN and [1] for YES. Press [*/Back] to exit the programming mode.

7.2 FPD-7024 Remote Programming

1. Open a session of RAM IV.
2. Open the desired panel.
3. From the menu tree window, open SECURITY.
4. Select the user from the appropriate submenu.
5. Set the PIN in the appropriate column (9753).
6. Set the authority level in the appropriate column (MEDIUM).
7. Download the changes/updates to the panel.



For more information regarding RAM IV, see the RAM IV Operations Manual (P/N: 38849).

8.0 FMR-7036 Operation

There are six keys on the FMR-7036 used for controlling annunciator and control panel operation: Silence, Reset, and four scrolling buttons.

8.1 Silence

The Silence key is used to silence alarm and trouble sounds at the annunciator, as well as NAC circuits and sirens connected to the control panel, provided the sounders are programmed for "SILENCEABLE" (refer to the control panel's programming guide for information on NAC or alarm output configuration).

The Silence key will not remove the alarm condition from the control. It only silences local annunciator sounders as well as silenceable output devices.

Pressing the Silence key causes the FMR-7036 to transmit a hard coded passcode of 9753 followed by the Silence key normally found on the FMR-7036 keypad. The control must be programmed to accept this code before the FMR-7036 will work (refer to *Section 7.0* on page 5 of this installation guide).

8.2 Reset

The Reset key is used to reset the control panel after an alarm has occurred. Any sounders or NACs that are activated will silence, and smoke detector zones will remove power briefly to reset detectors.

The Reset key causes the FMR-7036 to transmit a hard coded passcode of 9753 followed by the Reset key normally found on the FMR-7036. The control must be programmed to accept this code before the FMR-7036 will work (refer to *Section 7.0* on page 5 of this installation guide).

8.3 Scrolling Buttons

The scrolling keys are used to view off-normal conditions. The second line of the display will alternate between the text of the event and the instructions of which arrow button to press.

If the control panel is configured so that it requires remote keypads to enter a pin, the bottom line of the display will read `Please Enter Pin`.

To operate, unlock keyswitch and wait for the second line to change to `Use ACK/FUNC Key`. Press Silence, Reset, or **▶**.

If a pin is not required the display will show `Use ACK/FUNC Key`. To operate, unlock keyswitch and press Silence, Reset, or **▶**.

The **▶** is used as the Acknowledge button. When pressed, the keypad and control panel peizo will silence but the NACs will not be affected.

Pressing the **▶** key allows you to step through the groups of off-normal conditions.

Pressing the **▲** or **▼** allows you to view details of an off-normal condition within the group selected.

Pressing the **◀** key returns you to the main menu. If pressed again, it releases control of the panel. If this is not done, it will automatically time out in 3 min.

8.4 Keylock Switch

The Keylock Switch is an extra security feature built into the FMR-7036 in accordance with NFPA 72 requirements. It can be used to lock out the annunciator to prevent unwanted silence or resetting of the control panel.



Using the Keylock Switch to lockout the FMR-7036 will prevent any user from silencing or resetting alarms, including emergency personnel such as the police or fire department. Check with the local Authority Having Jurisdiction before using this feature.

Turn the Keylock Switch to Lock to prevent unwanted use of the Silence, Reset, and scrolling buttons.

Turn the Keylock Switch to Unlock to restore normal operation of the Silence, Reset, and scrolling buttons.



The key may only be removed in the locked position.

8.5 Display

The two-line, 16-character display is capable of showing all messages normally displayed on a FPD-7024 or FMR-7033 keypad. All alarm and status messages are included. In addition, there are four LEDs for easy reading of annunciator status from a distance. Refer to *Table 1* for a description of each LED's function.

Table 1: FMR-7036 LED Functions

LED	Color	Function
Supervisory	Yellow	Turns on for any supervisory condition
Alarm	Red	Turns on for any fire alarm, including water flow
Trouble	Yellow	Turns on for any trouble conditions at the control panel. Read the LCD display on the FMR-7036 for detailed Trouble information.
Silence	Yellow	Turns on whenever the Silence button is activated.

8.6 Reset Switch

Use the Reset Switch to reset the keypad if the display freezes or shows garbage, or if the Panel Reset function does not resolve the problem.

9.0 Troubleshooting

Refer to *Table 2* when troubleshooting the FMR-7036.

Keypad Notification	Possible Causes
Continuous keypad sounder PLUS ""System Fault"" display	The yellow and green wires have been disconnected. The keypad has not been programmed at the control panel. The control panel has malfunctioned.
Control panel does not respond to keypad input.	The keyswitch is in LOCK position. The keypad's address has not been set with the jumper pins.

10.0 Specifications

Operating Voltage	12 VDC Nominal from Option Bus
Normal Standby Current	80 mA
Alarm Current	100 mA
Base Height	4.1 in (11.6 cm)
Base Width	8.2 in (20.8 cm)
Cover Height	4.3 in (10.9 cm)
Cover Width	8.1 in (20.6 cm)
Environment	Use Indoor/Dry
Operating Temperature	+32° to 120°F (0° to +49°C)
Relative Humidity	93%
Listings	UL864, FM
Wiring	Supervised Communication Circuit

Bosch Security Systems, Inc.
130 Perinton Parkway
Fairport, NY 14450-9199
(800) 289-0096
www.boschsecurity.com

© 2008 Bosch Security Systems, Inc.
F01U010584-01



BOSCH