

LS-NVP (-W)

Vandal Proof Sub Station for LAF-C, LEF, LEM, AP-M, MP-S Systems

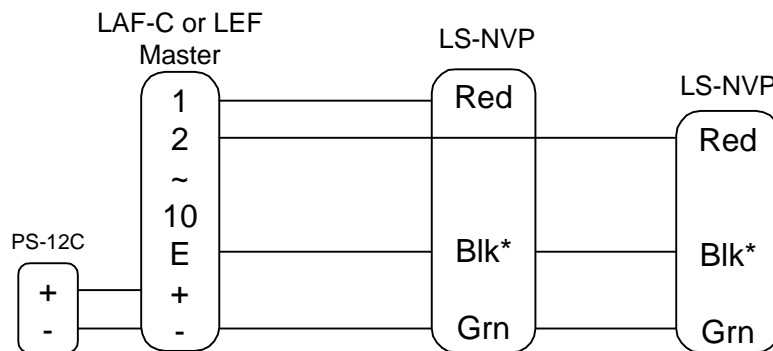
SBX-NVP

Surface Mount Box for LS-NVP

- INSTRUCTIONS -

The LS-NVP is a vandal proof sub station designed for use with the systems listed above. The LS-NVP-W is the weather resistant model. Both are constructed of 11 gauge carbon steel with a white powder-coated finish. The LS-NVP(-W) can be flush or surface mounted with the SBX-NVP. Each unit includes tamper proof screws and tool for installation.

WIRING DIAGRAM:

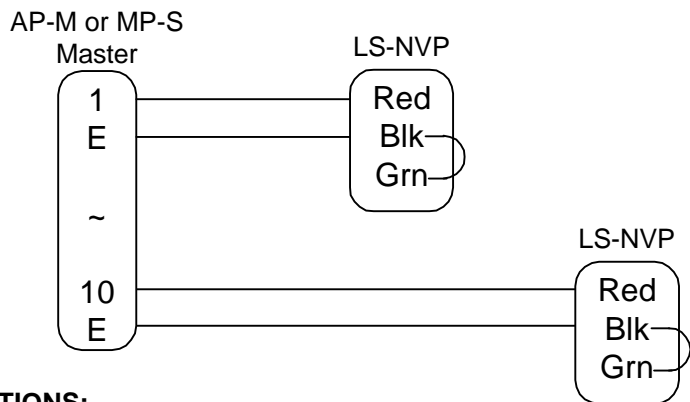


Switch on PC board:

Leave in the LOWER position (set from factory), for use with LEM, LAF-C and LEF systems

* In single master system, 2 conductors homerun can be used with the BLK and GRN wires tied together and "E" and "-" jumpered at the master.

WIRING DIAGRAM:



Switch on PC board:

Move to the UPPER position for use with AP-M or MP-S systems.

Tie Blk and Grn wires together for all installations with the MP-S and AP-M systems.

SPECIFICATIONS:

Power Source:	Supplied by master station
Speaker:	20 ohms, 3" diameter, water proof and puncture resistant, 2.5 oz. ceramic magnet
Call Button:	Single pole, single throw (SPST), normally open (N/O)
Faceplate:	11 gauge carbon steel with powder-coated white baked epoxy finish
Communication:	Hands free at sub. Master is push-to-talk, release-to-listen
Mounting Hardware:	Tamper proof screws
Terminations:	Color-coded prewired pigtails
Wiring:	RED to # terminal, BLK to "E" (Common) terminal, GRN to "-" terminal Shielded cable is recommended. Use Aiphone #822202 or #821802 for homerun wiring, #822206 for up to 4 stations on each run, or #822210 for up to 8 stations on each run.
Wiring Distance:	650' with 22AWG; 1,600' with 18AWG.
Dimensions (H x W x D):	LS-NVP alone: 7-1/2" x 5-1/2" x 2". With SBX-NVP: 8-5/8" x 6-5/8" x 2-1/4"