

SECURITY SUBSTATION

AI-RS150
AI-RS160
AI-RS170
AI-RS180

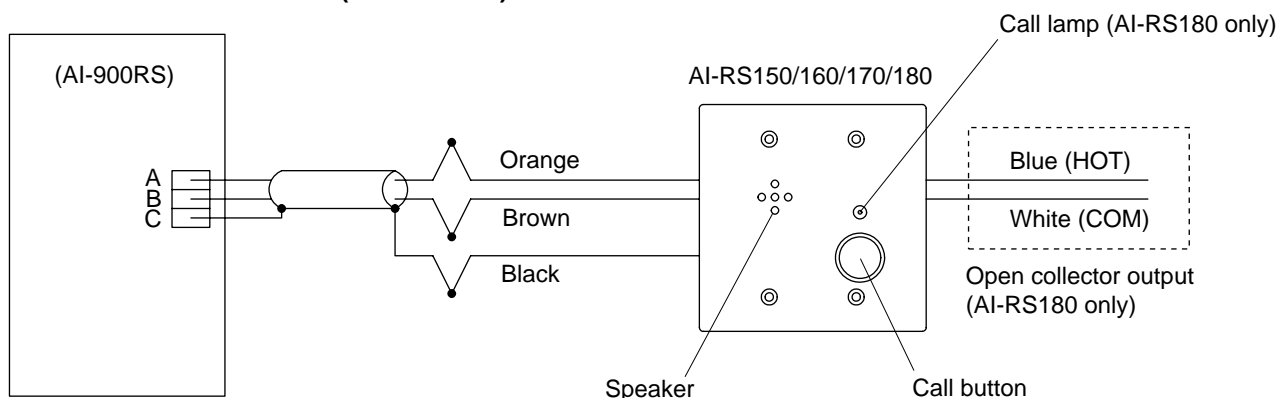
Please follow the instructions in this manual to obtain the optimum results from this unit.
 We also recommend that you keep this manual handy for future reference.

1. GENERAL DESCRIPTION

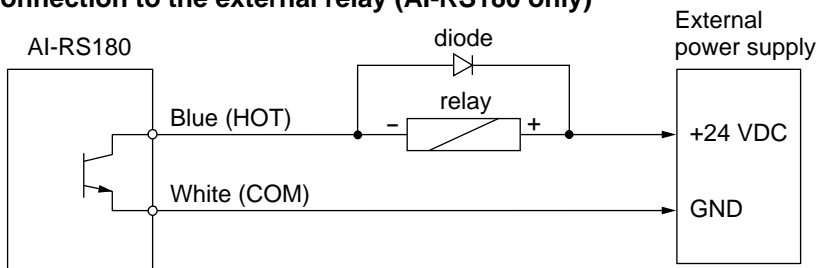
AIPHONE's AI-RS150, AI-RS160, AI-RS170, and AI-RS180 are Security Substations designed to be used with AIPHONE's AI-900 Voice Security System.

2. CONNECTION

Connection to the AI-900RS (for 25 V line)



Connection to the external relay (AI-RS180 only)



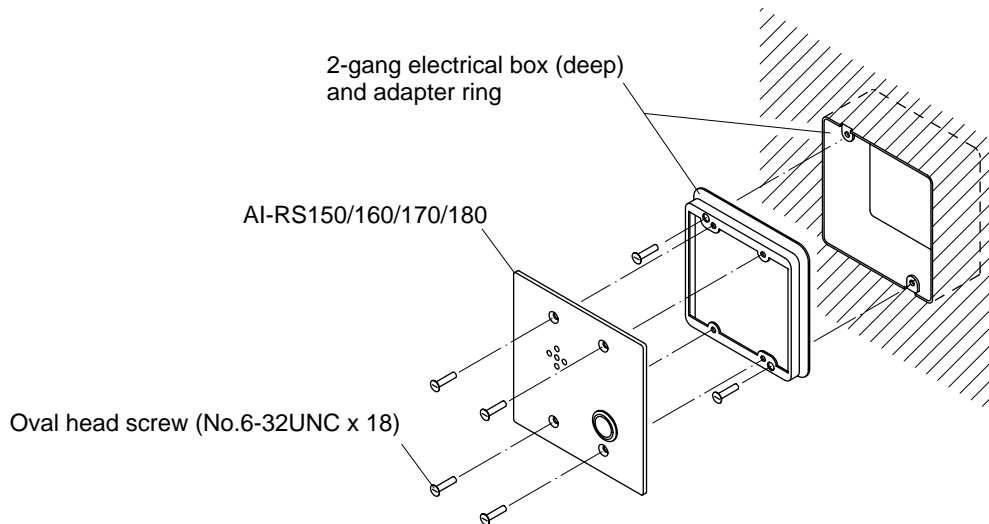
Note: AI-RS180 open collector output is 30 mA / 24 VDC (max.).

3. OPERATION

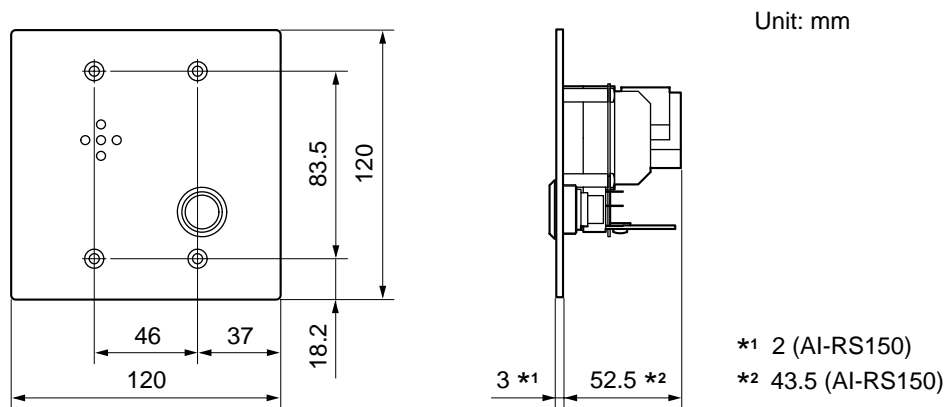
Pressing the call button calls the control station. The call lamp then flashes until the conversation begins, and it remains lit during the conversation (AI-RS180 only). The open collector output is activated immediately after pushing call buttons and remains active until call is cancelled (AI-RS180 only).

4. MOUNTING

Mount the substation to an electrical box mounted to the wall.



Dimensional diagram



5. SPECIFICATIONS

Model No.	AI-RS150	AI-RS160	AI-RS170	AI-RS180
Rated Input	1 W			
Rated Impedance	625 Ω (1 W, 25 V)			
Output Sound Pressure Level	82 dB			
Frequency Response	300 to 4,000 Hz (minimum 72 dB)			
Internal Speaker	4 cm dynamic type			
Sensitivity as Microphone	-40 dB ± 3 dB (0 dB = 1 V / Pa)			
Ambient Temperature	-10°C to +50°C (Temperature range not to freeze the speaker and switch)			
Finish	Stainless steel			
Weight	410 g	540 g	540 g	570 g
Weather-Resistant Coating	None	None	Printed circuit board	Printed circuit board
Call Button	Resin-made push button	Metal push button	Metal push button	Metal push button (red top ø20 mm)
Call Lamp	None	None	None	Provided
Open Collector Output	None	None	None	24 VDC, 30 mA
Accessories	Oval head screw (No. 6-32 UNC) x 18 4			

Note: The design and specifications are subject to change without notice for improvement.