



# ATD-80340

## Rechargeable LED Pocket Lamp

### Owner's Manual



#### Features

- 1.3-Watt super- bright COB LED
- 3.7 Volt 1000mAh Li-Ion rechargeable battery
- Two settings for varied brightness and run times
- Automatic shut off and overcharge protection prolongs battery life
- Magnetic base swivels 180 degrees
- 360 degree rotating hanging hook
- Versatile 3-in-1 charging system
  - Charge from 120V AC with included wall power plug
  - Charge from 12V DC with included vehicle power plug
  - Charge from USB charging port with included USB cord

#### Specifications

- Main Bulb: 1.3-Watt single strip COB LED
- Low Setting Brightness: 50-65 lumens
- High Setting Brightness: 100-120 lumens
- Battery: 3.7V 1000mAh lithium-ion rechargeable
- Run Time: Up to 5-hours (Low Setting) continuous
- Length: 4.75"
- Weight: 0.23 lbs.

#### Operating instructions

- Before use, plug the unit into any 110-120V AC power source, 12V DC power source or 5V DC USB port and let unit fully charge until the green indicator inside Mini-USB socket turns on.
- Charge this light every month if not in constant use, and after each use, if it is used often to ensure longevity.
- Press the switch at top of the light: once for bright light, twice dim light, three times to turn off.

#### Cautions

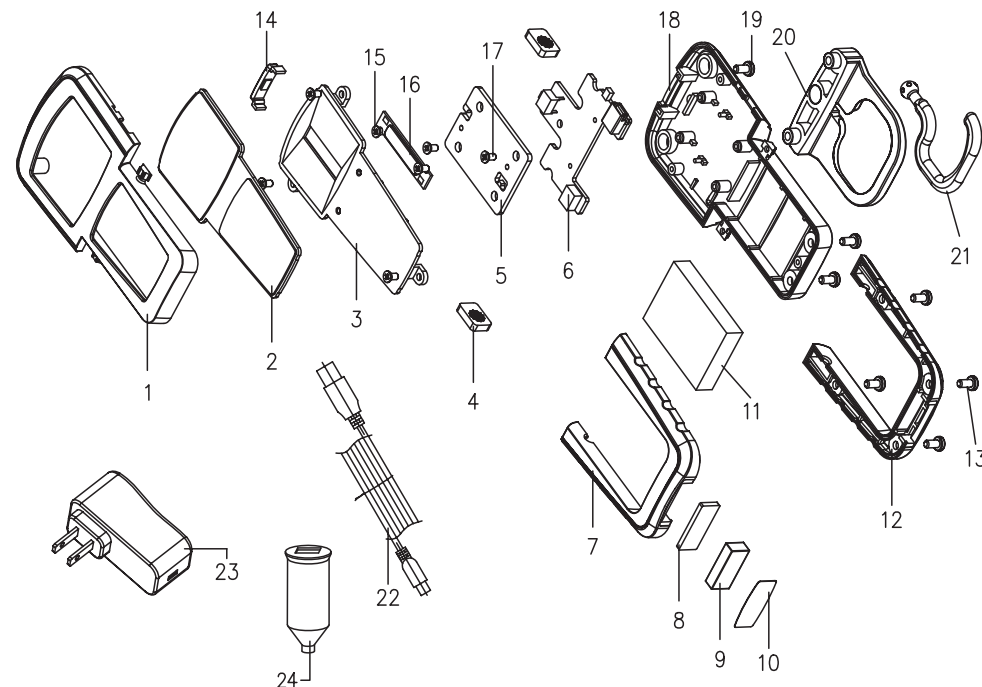
- For indoor use only - don't use in or around tubs, showers, sinks, pools, hot tubs, or in a wet environment
- Use only the recommended voltage and frequency requirements
- Keep out of reach of children
- Do not operate light with wet hands.
- Keep light away from hot objects.

#### ⚠ WARNING ⚠

**WARNING!** THIS PRODUCT CONTAINS CHEMICALS, INCLUDING LEAD, KNOWN TO THE STATE OF CALIFORNIA TO CAUSE CANCER, BIRTH DEFECTS OR OTHER REPRODUCTIVE HARM. **WASH HANDS AFTER HANDLING.**

Made in China to ATD Tools, Inc. Specifications  
Visit us at [www.atdtools.com](http://www.atdtools.com)

Size:140\*210mm



ITEM#	ORDERING PART#	PART DESCRIPTION	ITEM#	ORDERING PART#	PART DESCRIPTION
1	PRT80340-01	FRONT HOUSING	13	PRT80340-13	SCREW
2	PRT80340-02	TRANSPARENT COVER	14	PRT80340-14	BUTTON
3	PRT80340-03	REFLECTOR	15	PRT80340-15	SCREW
4	PRT80340-04	GEAR	16	PRT80340-16	COB
5	PRT80340-05	HEAT SINK	17	PRT80340-17	SCREW
6	PRT80340-06	SWITCH BOARD	18	PRT80340-18	BACK HOUSING
7	PRT80340-07	FRONT STAND	19	PRT80340-19	SCREW
8	PRT80340-08	METAL BOARD	20	PRT80340-20	HOOK BASE
9	PRT80340-09	MAGNET	21	PRT80340-21	HOOK
10	PRT80340-10	MAGNET STICKER	22	PRT80304-27	USB
11	PRT80340-11	LI+ION BATTERY	23	PRT80304-22	AC ADAPTOR
12	PRT80340-12	BACK STAND	24	PRT80304-31	CAR ADAPTOR