

**R250**  
**Ultra Grip® Rubber Flashlight**



**Specifications**

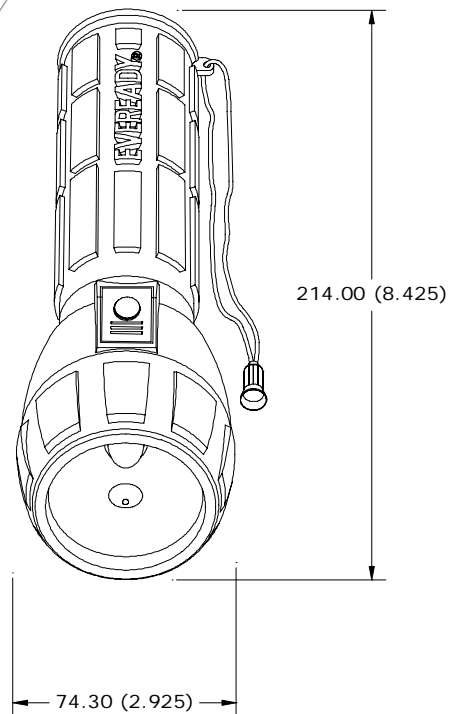
- Designation:** Eveready Flashlight
- Power Source:** Two D Size Batteries (ANSI/NEDA 13 Series)
- Lamp:** No. KPR-102 (Rated at 2.4V, 0.7A)
- Lamp Life:** Rated at 15 Hours
- Lamp Output:** Rated at 16.5 Lumens
- Typical Weight:** 148 grams (5.3 oz.) (without batteries)

**Features**

- Heavy Duty Rubber Case
- Krypton Bulb
- Lanyard

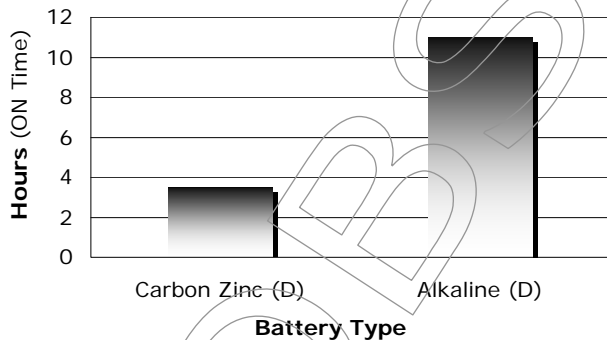
**Physical Dimensions**

mm (inches)



**Typical Battery Service**

700 mA Continuous  
at 21°C (70°F)



**Typical Battery Service to 0.9V (per battery) at 21°C (70°F)**

<u>Schedule</u>	<u>Battery Type</u>	<u>Hours (ON Time)</u>
700 mA Continuous	1250	3.5
700 mA Continuous	E95	11

**Important Notice**

This datasheet contains information specific to flashlights manufactured at the time of its publication.

**Contents herein do not constitute a warranty.**

Copyright Eveready Battery Co. Inc. - All Rights Reserved