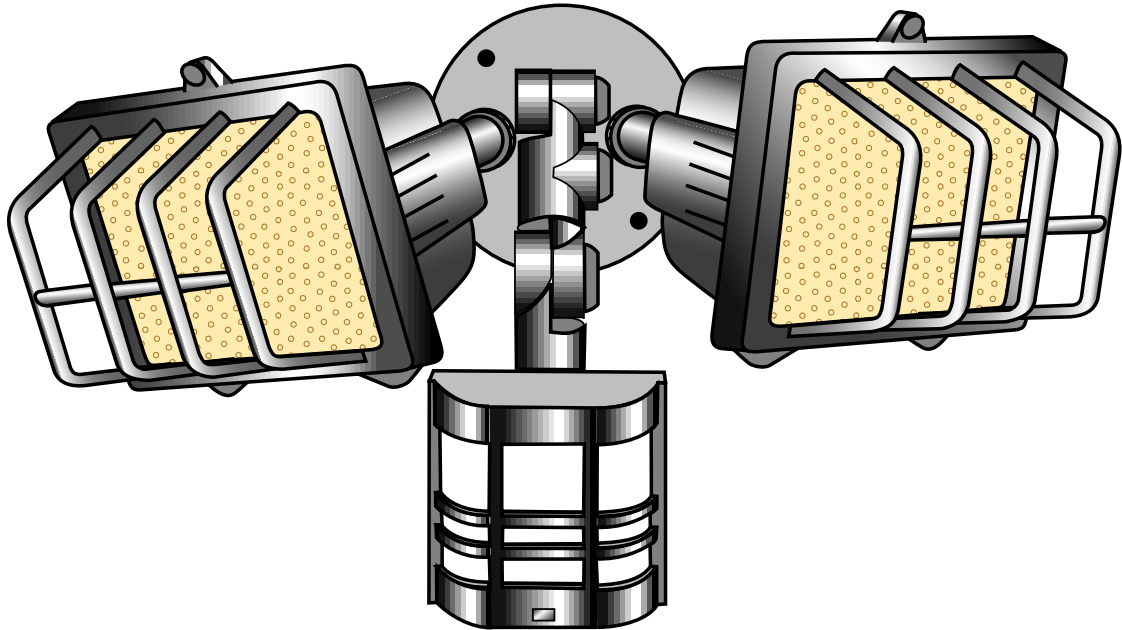




# ALL METAL MOTION SENSOR QUARTZ LIGHT CONTROL

Model HD-9260



# Contents

Introduction .....	3
Package Contents .....	4
Installation .....	5
Wall Mount .....	5
Eave Mount .....	5
Universal Adaptor .....	6
Standard Wiring .....	6
Controlling Non-Motion Sensing Fixtures .....	7
Finish Mounting .....	8
Specifications .....	8
Test and Adjustment .....	9
Expected Coverage .....	10
Operation .....	12
Troubleshooting Guide .....	13
JourneyMan® Lifetime Warranty .....	14

# Introduction

---

Dear Consumer:

We would like to thank you for purchasing this JourneyMan® product. We at Heath®/Zenith feel that you have purchased the most durable motion sensor available today. This JourneyMan® product will give you a lifetime worth of operation. We are so confident with the durability of this product that we are backing it with a Lifetime Warranty.

Heath®/Zenith

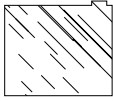
## Enhanced Performance Features

- ☞ Rugged gripping teeth and finger screw provide full three-dimension adjustment of sensor head.
- ☞ Eight silicon rubber gaskets seal internal components and controls from severe environmental conditions.
- ☞ Stainless steel screws to prevent rust and corrosion.
- ☞ Built in 1.25 Mega Watt surge protection.
- ☞ A.S.I.C. (Application Specific Integrated Circuit) design allows more reliable performance.
- ☞ Range Boost option to extend range for those hard to cover areas.
- ☞ Extremely wide angle coverage (up to 270°).
- ☞ Easy to control other lights with your JourneyMan® fixture (up to 1000 Watts total load).
- ☞ Expanded lens area receives more infrared light improving detection sensitivity.
- ☞ Pulse count technology reduces false sensing from wind and rain for professional reliability.
- ☞ Automatic photocell deactivates unit in daylight to save energy.
- ☞ Power outage reset. Turns light off automatically if turned on by power interruption or electrical storm.
- ☞ Selectable light timer to set the time lights stay on after motion has been detected.
- ☞ Sensitivity control allows adjustment of coverage range.
- ☞ Manual override to turn lights on/off at your convenience with existing indoor wall switch.

## Package Contents

- Motion Sensor Light Fixture

- Lens shield



- Two 250 watt halogen lamps
- Manual
- Hardware Pack

- 1 Gasket

- 1 Hanger



- 1 Universal adaptor plate

- 4 Wire nuts

- 2 #6-32 X 3/4" (19 mm) screws  
(for small rectangular boxes)

- 2 #8-32 X 3/8" (10 mm) screws  
(fixture to universal adaptor)

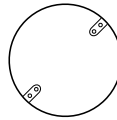
- 4 #8-32 X 3/4" (19 mm) screws  
(for circular or octagon boxes)

- 2 #10-24 X 1/2" (13 mm) screws  
(for water tight boxes)

## Additional Items Needed

- Phillips screwdriver
- Ladder

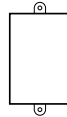
### Fits All Junction Box Configurations



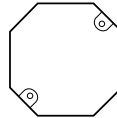
Circular



Horizontal rectangular



Vertical rectangular



Octagon

# Installation

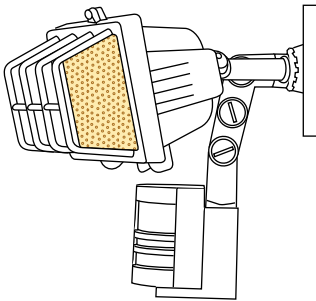
---

**CAUTION: BEFORE STARTING THE INSTALLATION, TURN THE POWER OFF AT THE CIRCUIT BREAKER.**

If you want to use the Manual Override feature you will need to install the fixture on a circuit controlled by a switch. The lamps are packed in boxes, inside the lampheads. Open the lampheads by removing the screws at the top. Use a clean cloth or the foam packing around the lamps to keep your fingers off the lamps. Install the lamps in the right side of the sockets first, then the left. Close the lampheads and continue the installation as shown below.

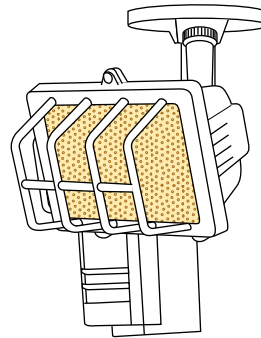
## Wall Mount

- Loosen the thumbscrews holding the sensor head and lampheads.
- Adjust the various parts so that the fixture looks similar to this illustration.
- Finger tighten the thumbscrews at this time.



## Eave Mount

- Loosen the thumbscrews holding the sensor head and lampheads.
- Adjust the various parts so that the fixture looks similar to this illustration.
- Finger tighten the thumbscrews at this time.



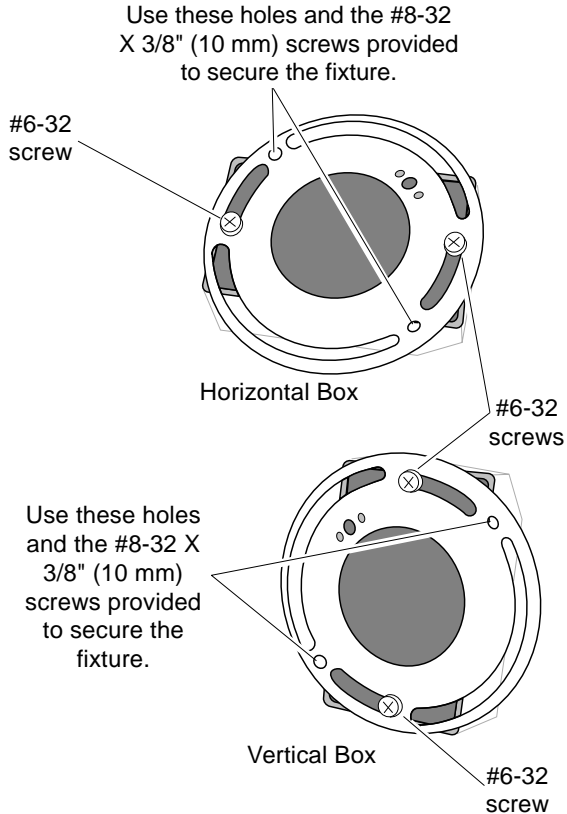
### **CAUTION: To Avoid Fire Or Burn Hazards:**

- Allow fixture to cool before touching. The bulb and the fixture operate at high temperatures.
- Keep fixture at least 3" (76 mm) from combustible materials. Do not aim at objects closer than 3' (1 m).
- Use only type T 250W (max.) tungsten halogen 120 VAC lamps.

## Universal Adaptor

If you are mounting the JourneyMan® fixture to a small rectangular box, you will need to use the universal adaptor as shown below. Other boxes may require the adaptor adjusted differently.

If you are using a standard octagon or round box, the adaptor is probably not required.



If the mounting holes in the fixture base still do not line up with the threaded holes in the universal adaptor, you can (1) remove the adaptor and flip it over or (2) remove the other pair of knock outs in the fixture base.

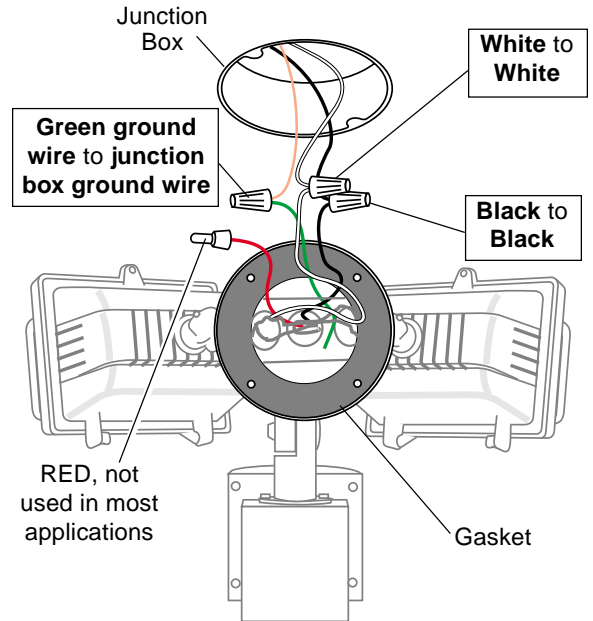
## Standard Wiring

**CAUTION:** If you have not already turned the power off at the breaker or fuse, do so now.

Make sure the gasket is in place before connecting any wires. You may find it convenient to use the wire hanger provided to hold the fixture to the junction box during the wiring process.

Connect the junction box wires to the fixture wires. Twist together and secure with wire connectors.

**CAUTION:** If you are not controlling additional fixtures from your JourneyMan® fixture, DO NOT connect the RED wire.

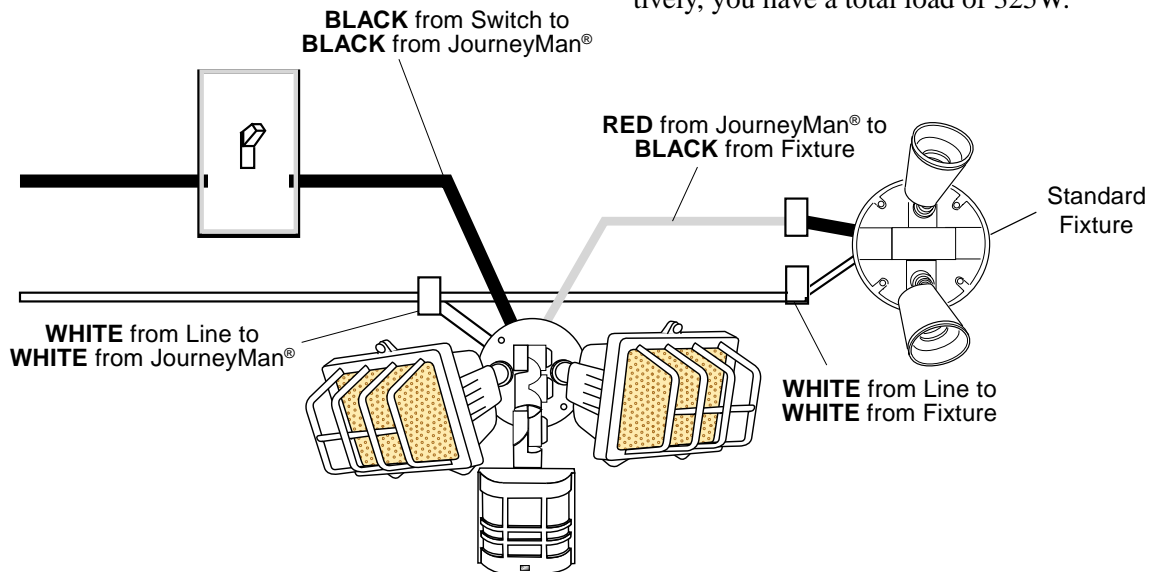


## Controlling Non-Motion Sensing Fixtures

- ❑ **When wiring to additional standard fixture only:** Strip the motion sensor's **red** wire and connect to the standard fixture's **black** wire. Connect all white wires together. Total fixture ratings must not exceed 1000W (8.3 A).

**NOTE:** All wiring between fixtures should be run in accordance with the National Electrical Code through conduit or another acceptable means. **Contact a qualified electrician if there is any question as to the suitability of the system.**

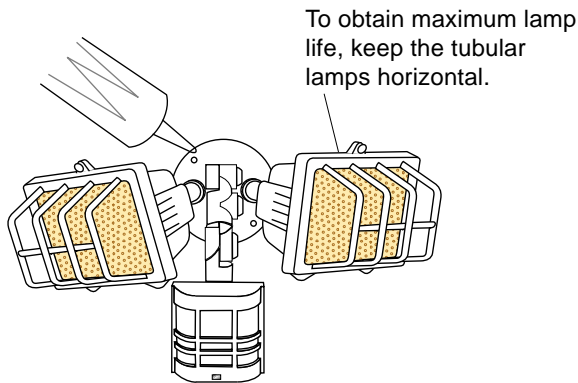
- ❑ This fixture is provided with a sensor rated for 1000W. Since the fixture is only rated 500W, 500W of additional load may be controlled by this sensor.
- ❑ When determining what a fixture is rated for, do not simply look at the rating on the lamp in the fixture. Look at the marking which specifies the maximum lamp wattage for which the fixture is suitable.
- ❑ Once you have selected the fixtures to be connected and determined their maximum ratings, add these ratings up. For instance, if you have 3 fixtures rated 100W, 150W, and 75W respectively, you have a total load of 325W.



**Wiring to a Motion Light & Standard Fixture**

## Finish Mounting

- ❑ Align the JourneyMan® base plate, gasket, and the junction box holes. Secure with mounting screws that fit your junction box.
- ❑ If not installed on a weatherproof box or if the adaptor plate was used, **caulk between the base plate and mounting surface** with silicone weather sealant.



## Specifications

Range .....	Up to 100 feet (30.5 m) with Range Boost On; up to 70 feet (21 m) with Range Boost Off. (Varies with surrounding temperature).
Sensing Angle .....	Up to 270°
Fixture Load .....	500 watts max., Incandescent (250W each lamp holder)
Sensor Load Capacity .....	1000 watts (8.3 amps), Incandescent
Power Requirements .....	120 VAC, 60 Hz
Operating Modes .....	TEST, AUTO and MANUAL MODE
Time Delay .....	1 , 5, 20 minutes
Sensitivity .....	Adjustable

### **CAUTION: To Avoid Fire Or Burn Hazards:**

- Allow fixture to cool before touching. The bulb and the fixture operate at high temperatures.
- Keep fixture at least 3" (76 mm) from combustible materials. Do not aim at objects closer than 3' (1 m).
- Use only type T 250W (max.) tungsten halogen 120 VAC lamps.



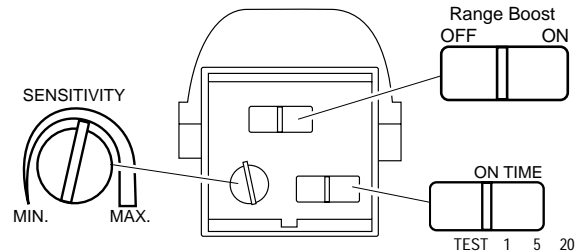
# Test and Adjustment

---

**NOTES:** When first turned on or when switching from Manual to Auto mode wait 1 1/2 minutes for the unit to calibrate.

Testing with Range Boost on during daylight may result in abnormal operation.

- Turn on the circuit breaker and light switch.
- Open the control access cover (on bottom of unit) by pulling down on the tab of the rubber cover.
- Turn the sensitivity control to the center of its adjustment, RANGE BOOST to OFF and the ON-TIME to TEST position.



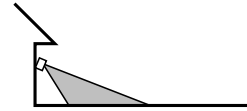
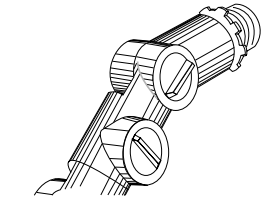
**Sensor Bottom**

### **Don't aim the control at:**

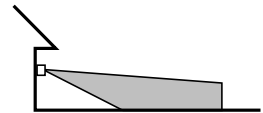
- Objects that change temperature rapidly, such as **heating vents and air conditioners**, to help avoid false triggering.
- Where **pets or traffic** may trigger the control.
- **Nearby large, light-colored objects** reflecting light may trigger the shut-off feature. Do not point other lights at the sensor.

# Adjustments Continued . . .

- Loosen the wing screws, estimate the direction to aim the sensor and tighten the wing screws just enough to hold the sensor in place.
- Walk through the coverage area noting where you are when the lights turn on. Loosen the wing screws and readjust the sensor as necessary. Tighten the wing screws (finger tight) when you are satisfied with the coverage direction. **Keep the sensor at least 1 inch (25 mm) from lamps and keep the controls on the bottom.**
- Adjust SENSITIVITY as needed to increase or decrease the range. Too much sensitivity may increase false triggering.
- Set the amount of TIME (1, 5 or 20 minutes) you want the lights to stay on after motion is detected at night.
- If you need to detect objects more than 70 feet (21 m) away, turn Range Boost on.
- Replace the rubber cover to protect controls.



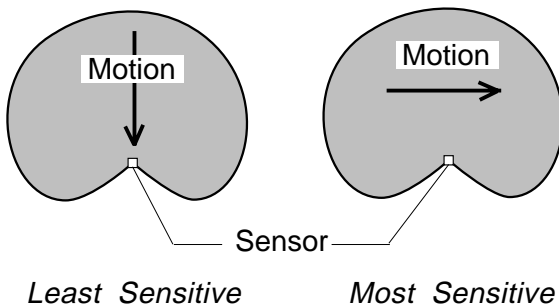
**Aim Sensor Down for Short Coverage**



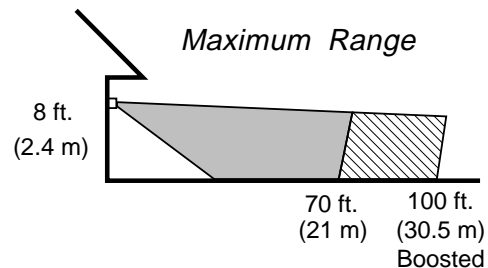
**Aim Sensor Out for Long Coverage**

## Expected Coverage

The sensor is less sensitive to motion directly towards it, most sensitive to motion across its field of view.

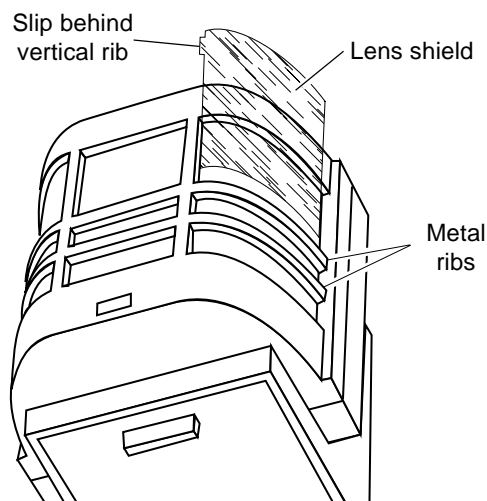


When mounted 8 feet (2.4 m) from the ground, you may expect the range shown below. If mounted much higher the sensor may miss objects near the ground. If mounted much lower the sensor range may be reduced.

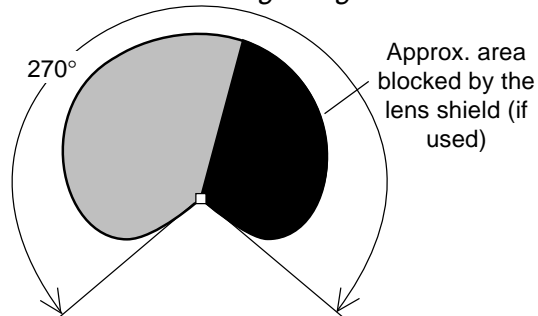


If the wide angle (270°) coverage is too wide for your application, you may need to install the lens shield to reduce the coverage angle.

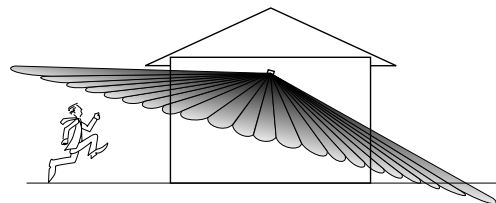
- Decide which side of the lens you want to cover.
- Curve the shield as shown. Slide the shield down, under the two metal ribs of the case. Make sure the shield slides all the way down so the entire shield will lay directly against the lens.
- Slip the small protrusion behind the vertical metal rib to hold the top of the shield in place.



### Maximum Coverage Angle



If the sensor is not kept level you may experience an apparent decrease in range because objects may pass under the detection zone without being detected.



# Operation

Mode:	On-Time:	Works: Day	Night
<b>Test</b>	5 Sec	x	x
<b>Auto</b>	1, 5 or 20 min.		x
<b>Manual</b>	Until Dawn*		x


\* resets to Auto Mode at dawn.

## RANGE BOOST

Turn Range Boost on for additional coverage only if needed.  Off  On  
Range Boost

## TEST

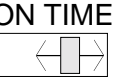
Put the ON-TIME switch on the sensor bottom in TEST and the Range Boost switch to Off.



ON TIME  
TEST 1 5 20

## AUTO

Put the ON-TIME switch in the 1, 5 or 20 minute position.



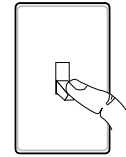
ON TIME  
TEST 1 5 20

## MANUAL MODE

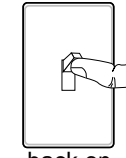
Manual Mode only works at night because daylight returns the sensor to AUTO.

Flip the light switch off for one second then back on to toggle between AUTO and MANUAL MODE.

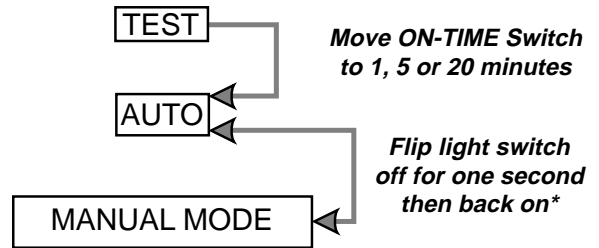
Manual Mode works with the ON-TIME switch in the 1, 5, or 20 minute position.



1 Second OFF  
then...



... back on.



\* If you get confused while switching modes, turn the power off for one minute, then back on. After the calibration time, the control will be in the AUTO mode.

# Troubleshooting Guide

If you have a problem, please follow this guide. You may also want to visit our Web site at: [www.desatech.com](http://www.desatech.com). For more help call **1-800-858-8501** 8:00 AM to 4:30 PM Central Time weekdays.

Lo sentimos, pero no podemos contestar preguntas en español por teléfono.

SYMPTOM	POSSIBLE CAUSE
<b>Lights will not come on.</b>	<ol style="list-style-type: none"> <li>1. Light switch is turned off.</li> <li>2. Flood light is loose or burned out.</li> <li>3. Fuse is blown or circuit breaker is turned off.</li> <li>4. Daylight turnoff is in effect. (<i>Re-check after dark</i>).</li> <li>5. Incorrect circuit wiring, if this is a new installation.</li> <li>6. Re-aim the sensor to cover desired area.</li> </ol>
<b>Lights come on in daylight.</b>	<ol style="list-style-type: none"> <li>1. Control may be installed in a relatively dark location.</li> <li>2. Control is in Test. (<i>Set control switch to an ON-TIME position</i>).</li> </ol>
<b>Lights come on for no apparent reason.</b>	<ol style="list-style-type: none"> <li>1. Control may be sensing small animals or automobile traffic. (<i>Re-aim sensor or use lens shield</i>).</li> <li>2. Sensitivity is set too high. (<i>Reduce sensitivity. Turn Range Boost off</i>).</li> </ol>

SYMPTOM	POSSIBLE CAUSE
<b>Lights stay on continuously.</b>	<ol style="list-style-type: none"> <li>1. A lamp is positioned too close to the sensor or pointed at objects that causes the sensor to trigger. (<i>Aim the lamp away from the sensor or objects</i>).</li> <li>2. Control is pointed at a heat source like an airvent, dryer vent, or brightly-painted heat-reflective surface. (<i>Re-aim sensor. Turn Boost off</i>).</li> </ol>
<b>Lights flash on and off.</b>	<ol style="list-style-type: none"> <li>1. Heat or light from the lamps may be turning the Light Control on and off. (<i>Aim lamps away from the sensor. Turn Boost off</i>).</li> <li>2. Reflected heat from other objects are triggering the sensor. (<i>Re-aim sensor. Turn Boost off</i>).</li> <li>3. Control is in warming up. (<i>Flashing is normal under these conditions. Wait 1 minute for sensor to warm up</i>).</li> <li>4. Control is in Test. (<i>Set control switch to an ON-TIME position</i>).</li> </ol>

## JourneyMan® Lifetime Warranty

This is a "Limited Warranty" which gives you specific legal rights. You may also have other rights which vary from state to state or province to province.

For as long as you (the original purchaser) own this JourneyMan® product, any malfunction caused by factory defective parts or workmanship will be corrected at no charge to you. **Light bulbs are not covered.** To obtain a refund or a replacement, return the product to the place of purchase.

**Not Covered** - Repair service, adjustment and calibration due to misuse, abuse or negligence, light bulbs and other expendable items are not covered by this warranty. Unauthorized service or modification of the product or of any furnished component will void this warranty in its entirety. This warranty does not include reimbursement for inconvenience, installation, setup time, loss of use, or unauthorized service.

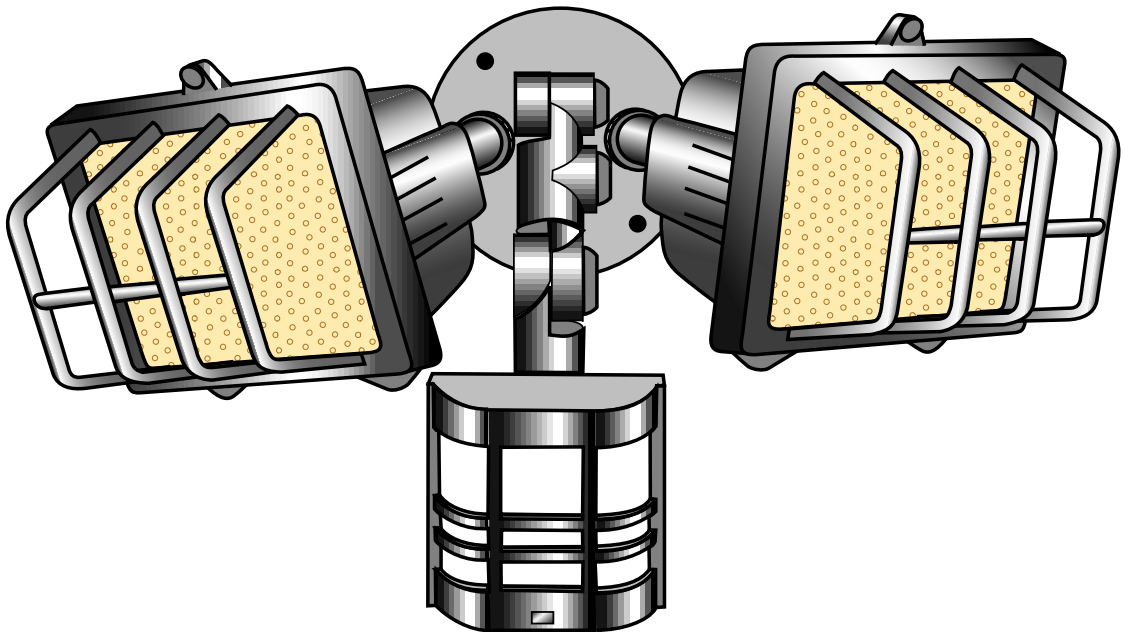
This warranty covers only JourneyMan® products and is not extended to other equipment and components that a customer uses in conjunction with our products.

THIS WARRANTY IS EXPRESSLY IN LIEU OF ALL OTHER WARRANTIES, EXPRESS OR IMPLIED, INCLUDING ANY WARRANTY, REPRESENTATION OR CONDITION OF MERCHANTABILITY OR THAT THE PRODUCTS ARE FIT FOR ANY PARTICULAR PURPOSE OR USE, AND SPECIFICALLY IN LIEU OF ALL SPECIAL, INDIRECT, INCIDENTAL, OR CONSEQUENTIAL DAMAGES.

REPAIR OR REPLACEMENT SHALL BE THE SOLE REMEDY OF THE CUSTOMER AND THERE SHALL BE NO LIABILITY ON THE PART OF HEATH FOR ANY SPECIAL, INDIRECT, INCIDENTAL, OR CONSEQUENTIAL DAMAGES, INCLUDING BUT NOT LIMITED TO ANY LOSS OF BUSINESS OR PROFITS, WHETHER OR NOT FORESEEABLE. Some states or provinces do not allow the exclusion or limitation of incidental or consequential damages, so the above limitation or exclusion may not apply to you. Retain receipt for warranty claims.



**CONTROL CON LUZ DE  
CUARZO Y DETECTOR DE MOVIMIENTO  
TODO DE METAL**  
Modelo HD-9260



# Indice

Introducción .....	17
Contenidos del Paquete .....	18
Instalación .....	19
Montaje en pared .....	19
Montaje en alero .....	19
Adaptador Universal .....	20
Cableado Estándar .....	20
Control de los aparatos que no detectan movimiento .....	21
Fin del Montaje .....	22
Especificaciones .....	22
Prueba y Ajuste .....	23
Cobertura Esperada .....	24
Funcionamiento .....	26
Guia de Investigacion de Averias .....	27
Garantía de por Vida del JourneyMan® .....	28



# Introducción

---

Querido consumidor:

Deseamos agradecerle por haber comprado este producto JourneyMan®. Quienes trabajamos para la Heath®/Zenith creemos que ha comprado el detector de movimiento más durable que existe actualmente. Este producto JourneyMan® le ofrecerá un funcionamiento de por vida. Tenemos tanta confianza en la durabilidad de este producto que lo respaldamos con una garantía de por vida.

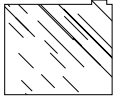
Heath®/Zenith

## Características Mejoradas de Rendimiento

- ☞ Los dientes fuertes de sujeción y el tornillo de agarre ofrecen un ajuste completo de las tres dimensiones de la cabeza del detector.
- ☞ Los ocho empaques de caucho de silicona sellan los componentes y controles internos protegiéndolos contra las condiciones ambientales severas.
- ☞ Tornillos de acero inoxidable para evitar el enmohecimiento y la corrosión.
- ☞ Protección incorporada de 1,25 mega vatios contra sobrecargas momentáneas.
- ☞ El diseño A.S.I.C. (Circuito Integrado de Aplicación Específica) permite un rendimiento más confiable.
- ☞ Opción de aumento de alcance para ampliar el alcance a aquellas áreas que son difíciles de cubrir.
- ☞ Cobertura de ángulo extremadamente grande (hasta 270°).
- ☞ Fácil control de otras luces con su aparato JourneyMan® (hasta una carga total de 1000 vatios).
- ☞ El área ampliada de la placa translúcida recibe más luz infrarroja mejorando así su sensibilidad de detección.
- ☞ La tecnología de cómputo de impulsos reduce una falsa detección, causada por el viento y la lluvia, para obtener una confiabilidad profesional.
- ☞ La fotocélula automática desactiva la unidad durante el día para ahorrar energía.
- ☞ Restauración después de que se cortó la corriente. Apaga automáticamente las luces si se prenden por interrupción de corriente o por una tormenta eléctrica.
- ☞ Temporizador de luz seleccionable para fijar el tiempo que la luz se quede prendida después de detectar movimiento.
- ☞ El control de la sensibilidad permite el ajuste del alcance de cobertura.
- ☞ Sobrecontrol manual para prender/apagar las luces, a su conveniencia, con el interruptor de pared ya existente dentro de casa.

## Contenidos del Paquete

- Aparato de luz y detector de movimiento
- Protección de la placa translúcida



- Dos lámparas halógenas de 250 vatios
- Manual
- Paquete de ferretería  
1 empaquetadura

1 gancho

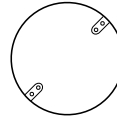


- 1 placa adaptadora universal
- 4 conectores de cable
- 2 tornillos #6-32 x 19 mm.  
(para cajas pequeñas rectangulares)
- 2 tornillos #8-32 x 10 mm.  
(desde el aparato al adaptador universal)
- 4 tornillos #8-32 x 19 mm.  
(para cajas circulares u octagonales)
- 2 tornillos #10-24 x 13 mm.  
(para cajas impermeables al agua)

## Artículos adicionales que se necesitan

- Destornillador Phillips
- Escalera

## Queda bien con todas las configuraciones de cajas de empalmes



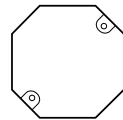
Circular



Rectangular horizontal



Rectangular vertical



Octagonal

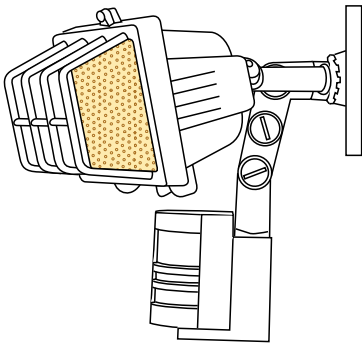
# Instalación

**CUIDADO: ANTES DE COMENZAR LA INSTALACION , APAGUE LA CORRIENTE EN EL CORTACIRCUITOS.**

Si usted desea usar el sobrecontrol manual usted deberá instalar el aparato en un circuito controlado por un interruptor. Las lámparas están embaladas en cartones, dentro de los cabezales de lámpara. Abra los cabezales de lámpara quitando los tornillos de arriba. Use una tela limpia o la espuma de embalaje que está alrededor de las lámparas para que sus dedos no toquen las lámparas. Instale las lámparas primero en la parte derecha de los enchufes y luego en la izquierda. Cierre los cabezales de lámpara y siga con la instalación como se muestra abajo.

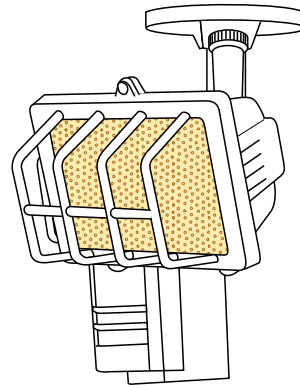
## Montaje en pared

- Afloje los tornillos de mano que sostienen el cabezal del detector y los cabezales de lámpara.
- Ajuste las diferentes partes para que el aparato se vea similar a esta ilustración.
- Ahora ajuste los tornillos de mano sólo con los dedos.



## Montaje en alero

- Afloje los tornillos de mano que sostienen el cabezal del detector y los cabezales de lámpara.
- Ajuste las diferentes partes para que el aparato se vea similar a esta ilustración.
- Ahora ajuste los tornillos de mano sólo con los dedos.



### **CUIDADO: Para evitar peligro de incendios o quemazones:**

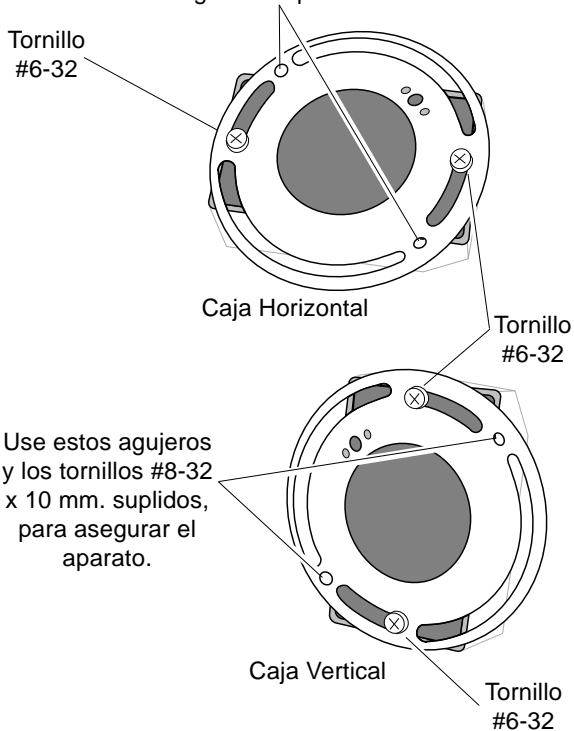
- Deje que el aparato se enfríe antes de tocarlo. La bombilla y el aparato funcionan a altas temperaturas.
- Mantenga el aparato por lo menos a 76 mm de distancia de materiales combustibles. No lo apunte hacia objetos que estén más cerca de 1 m.
- Use sólo lámparas halógenas de tungsteno de 120 VCA tipo T250 Vatios (máx).

## Adaptador Universal

Si monta el JourneyMan® sobre una caja pequeña rectangular, usted deberá usar el adaptador universal, como se muestra abajo. Otras cajas necesitarán que el adaptador se ajuste de forma diferente.

Si usa una caja estándar octagonal, probablemente no necesitará el adaptador.

Use estos agujeros y los tornillos #8-32 x 10 mm. suplidos, para asegurar el aparato.



Si los agujeros de la base del aparato todavía no se alinean con los agujeros roscados del adaptador universal, usted puede (1) quitar el adaptador y darle la vuelta o (2) quitar la otra pareja de discos removibles de la base del aparato.

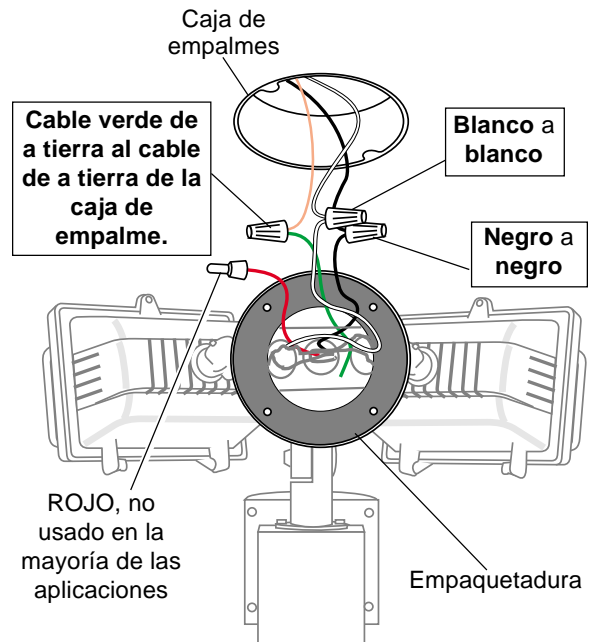
## Cableado Estándar

**CUIDADO:** Si todavía no ha desconectado la alimentación en el cortacircuito o fusible, hágalo ahora.

Asegúrese que la empaquetadura esté en su sitio antes de conectar cualquier cable. Le puede ser conveniente usar el gancho de alambre suplido para sostener el aparato en la caja de empalme durante el proceso de cableado.

Conecte los cables de la caja de empalme a los cables del aparato. Tuérzalos juntos y asegúrelos con conectores de cable.

**CUIDADO:** Si no controlará aparatos adicionales con su JourneyMan®, NO conecte el cable ROJO.

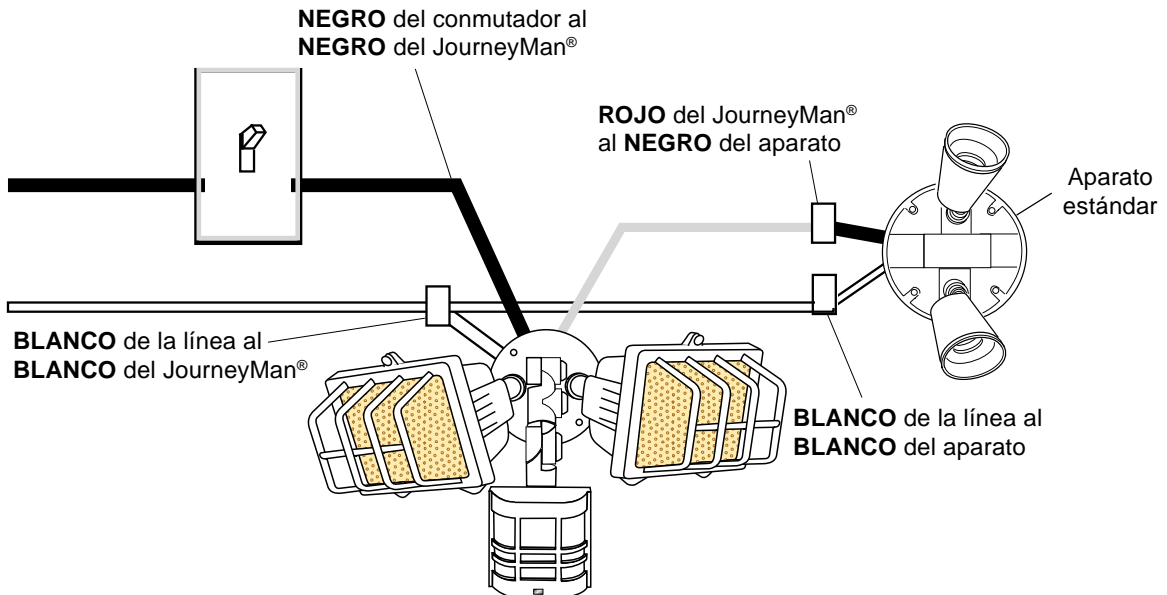


## Control de los aparatos que no detectan movimiento

- ❑ **En caso de conectar al aparato estándar solamente:** Pele el alambre **rojo** del detector de movimiento y conéctelo al alambre **negro** de la luz estándar. Conecte todos los alambres blancos. La capacidad total no debe exceder los 1000V (8,3 A).

**NOTA:** Todo el cableado de los aparatos debe ser hecho de acuerdo al Código Eléctrico Nacional por medio de conductos para cables u otras formas aceptables. **Póngase en contacto con un electricista calificado si existe duda sobre la aptitud del sistema.**

- ❑ Este aparato viene con un detector con una potencia de 500 Vatios. Puesto que el aparato tiene sólo una potencia de 500 Vatios, la carga adicional de 500 Vatios puede ser controlada por el detector.
- ❑ Cuando desee determinar la clasificación de un aparato no vea tan sólo la potencia de la lámpara. Mire la indicación que especifique el voltaje máximo de la lámpara que el aparato puede aceptar.
- ❑ Una vez que ha escogido los aparatos que se conectarán y ha determinado sus máximas potencias, súmelas. Por ejemplo, si tiene 3 aparatos de 100 , 150 y 75 Vatios respectivamente, usted tendrá un total de 325 Vatios.

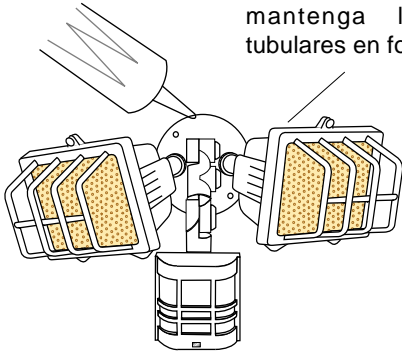


**Conexión a la luz de movimiento y al aparato estándar**

## Fin del Montaje

- Alinee los agujeros de la placa de la base del JourneyMan®, de la empaquetadura y de la caja de empalmes. Asegúrelos con tornillos de montaje apropiados para su caja de empalmes.
- Si no lo instala en una caja contra la intemperie, o si usa una placa adaptadora (no incluida), calafatee la placa de la pared y la superficie de montaje con un sellador de silicona contra la intemperie.

Para obtener la máxima duración de la lámpara, mantenga las lámparas tubulares en forma horizontal.



## Especificaciones

Alcance .....	Hasta 30.5 m con el Aumento de Alcance [Range Boost] prendido; hasta 21 m con el Range Boost apagado. (varía de acuerdo a la temperatura que le rodea).
Angulo de detección .....	Hasta 270°
Carga del Aparato .....	500 vatios máx., incandescente (250V cada portalámpara)
Capacidad de Carga del Detector .....	1000 vatios (8,3 amps), Incandescente
Requisitos de Alimentación .....	120 VCA, 60 Hz
Fases de Funcionamiento ..	PRUEBA, AUTO y MODO MANUAL
Retardo de Tiempo .....	1, 5, 20 minutos
Sensibilidad .....	Ajustable

### **CUIDADO: Para evitar peligro de incendios o quemazones:**

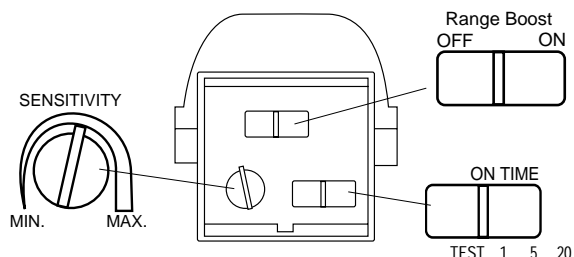
- Deje que el aparato se enfríe antes de tocarlo. La bombilla y el aparato funcionan a altas temperaturas.
- Mantenga el aparato por lo menos a 76 mm de distancia de materiales combustibles. No lo apunte hacia objetos que estén más cerca de 1 m.
- Use sólo lámparas halógenas de tungsteno de 120 VCA tipo T250 Vatios (máx).

# Prueba y Ajuste

**NOTAS:** Cuando se enciende por primera vez o cuando se cambia de modo Manual a Automático esperar 1 minuto y 1/2 para que la unidad se calibre.

Las pruebas hechas durante el día con el Aumento de Alcance [Range Boost] prendido pueden resultar en un funcionamiento anormal.

- Prenda el cortacircuitos y el interruptor de luz.
- Abra la cubierta que da acceso al control (en el fondo de la unidad) halando hacia abajo la aleta de la cubierta de caucho.
- Gire el control de sensibilidad hacia el centro de su ajuste, El RANGE BOOST hacia OFF [apagado] y el ON-TIME a la posición de TEST.



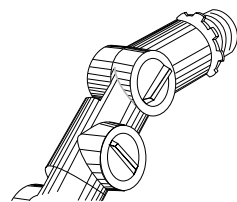
## Fondo del Detector

### Evite apuntar el control hacia:

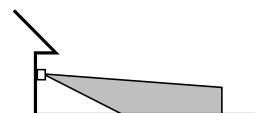
- Objetos que cambien rápidamente de temperatura tales como **ductos de calefacción y acondicionadores de aire**. Estas fuentes de calor pueden causar falsas alarmas.
- Areas donde **animales domésticos o el tráfico** puedan activar el control.
- **Los objetos grandes cercanos y de colores resplandecientes** que reflejan la luz del día pueden hacer que el detector se apague. No apunte otras luces hacia el detector.

## Continuación de ajustes . . .

- Afloje los tornillos de mariposa, juzgue la dirección para apuntar el detector y ajuste los tornillos de mariposa tan sólo lo suficiente como para sostener el detector en su sitio.
- Camine por el área de cobertura dándose cuenta dónde está cuando las luces se prenden. Afloje los tornillos de mariposa y acomode de nuevo el detector como sea necesario. Ajuste los tornillos de mariposa (sólo con la mano) cuando esté satisfecho con la dirección de la cobertura. **Mantenga el detector por lo menos a 25 mm de las lámparas y mantenga los controles en el fondo.**
- Ajuste la SENSIBILIDAD como lo necesite par aumentar o disminuir el alcance. Demasiada sensibilidad puede causar falsas alarmas.
- Fije el período de TIEMPO (1, 5 ó 20 minutos) que usted quiere que las luces se queden prendidas después de detectar movimiento en la noche.
- Si necesita detectar objetos a más de 21 m de distancia, prenda el Range Boost.
- Ponga de nuevo en su sitio la tapa de caucho para proteger los controles.



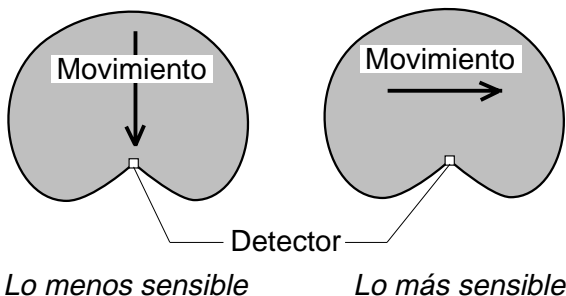
Apunte el detector hacia abajo para



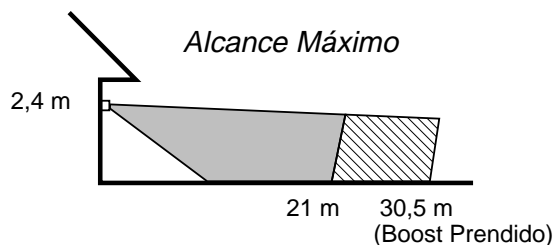
Apunte el detector más arriba para mayor cobertura

## Cobertura Esperada

El detector es menos sensible del movimiento que se dirige hacia él.



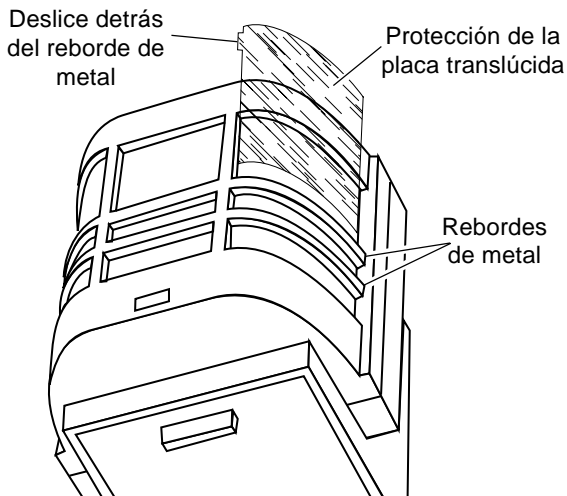
Si lo instala a 2,4 m del suelo, usted puede esperar el alcance que se muestra abajo. Si lo instala mucho más arriba puede darse que el aparato no detecte objetos cerca del suelo. Si lo instala mucho más abajo, el alcance del detector se puede reducir.



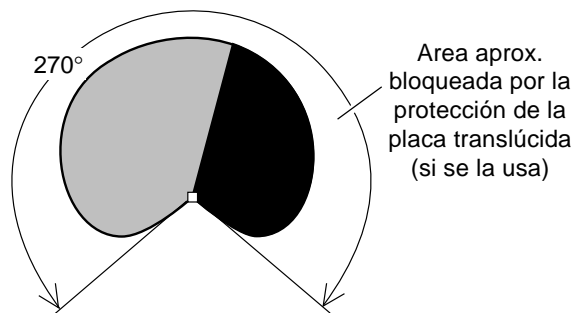


Si la cobertura de ángulo grande ( $270^\circ$ ) es demasiado ancha para su aplicación, usted puede necesitar instalar la protección de la placa translúcida para reducir el ángulo de cobertura.

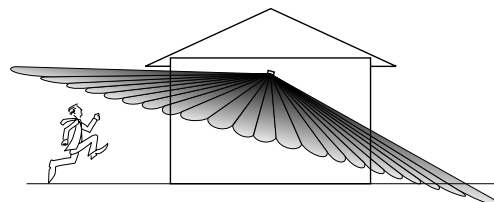
- Decida qué lado de la placa translúcida desea cubrir.
- Curve la protección como se muestra. Deslícela hacia abajo, por debajo de los dos rebordes de metal de la caja. Asegúrese de que la protección se deslice completamente hacia abajo de manera que toda ella se encuentre directamente asentada sobre la placa translúcida.
- Deslice la pequeña saliente detrás del reborde vertical de metal para sostener la protección en su sitio.



### Angulo de Cobertura Máxima



Si no mantiene el detector a nivel, usted puede experimentar una aparente disminución de alcance porque los objetos pueden pasar por debajo de la zona de detección sin ser detectados.



# Funcionamiento

Modalidad:	A tiempo:	Trabaja:	Día	Noche
<b>Prueba</b>	5 seg.		x	x
<b>Autom.</b>	1, 5 ó 20 min.			x
<b>Manual</b>	Hasta el amanecer*			x

\* Se pone en Automático al amanecer.

## AUMENTO DE ALCANCE

Prenda el Aumento de Alcance (Range Boost) para una cobertura adicional sólo si lo necesita.

Off  On  
Range Boost


## PRUEBA

Colocar el conmutador de ON-TIME del botón del sensor en TEST y el conmutador de Refuerzo de Alcance en Off.

ON TIME  
 TEST 1 5 20

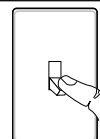
## AUTOMATICO

Ponga el interruptor de tiempo (ON-TIME) en la posición de 1, 5 ó 20 minutos.

ON TIME  
  
TEST 1 5 20

## Para MODO MANUAL

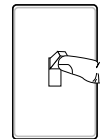
El modo manual funciona sólo por la noche porque la luz del día pone al detector en modo AUTOMATICO .



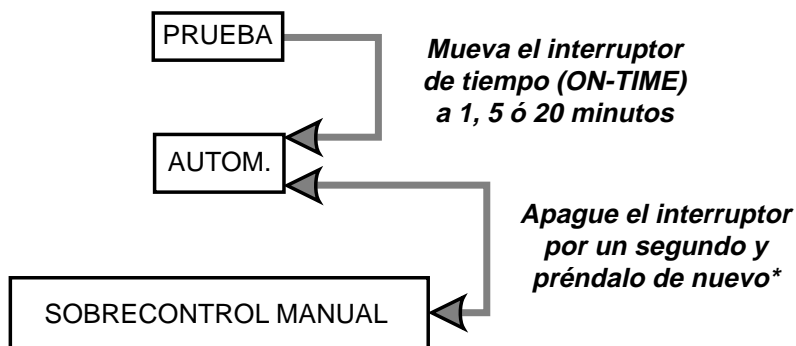
Apague el interruptor por un segundo y vuélvalo a prender.

1 segundo  
APAGADO  
luego...

El modo manual funciona sólo cuando el interruptor de tiempo (ON-TIME) está en la posición de 1, 5 ó 20 minutos.



...préndalo.



\* Si se confunde mientras cambia de fases, apague la electricidad por un minuto y préndala de nuevo. Después del tiempo de calibración el control estará en fase AUTO(MATICA).

# Guía de Investigación de Averías

Si tiene problemas con su Control de Luz consulte esta guía.

SINTOMA	POSIBLE CAUSA
<b>La luz no se enciende.</b>	<ol style="list-style-type: none"> <li>1. El interruptor de luz está apagado.</li> <li>2. El faro está flojo o fundido.</li> <li>3. El fusible está quemado o el cortacircuitos está apagado.</li> <li>4. La desconexión de luz del día está en efecto. <i>(Compruébelo al anochecer).</i></li> <li>5. Alambreado incorrectamente, si ésta es una nueva instalación.</li> <li>6. Apunte de nuevo el detector para cubrir las áreas deseadas.</li> </ol>
<b>La luz se prende durante el día.</b>	<ol style="list-style-type: none"> <li>1. El Control de Luz puede estar instalado en un lugar relativamente oscuro.</li> <li>2. El Control de Luz está en fase de Prueba. <i>(Fije el interruptor del control a la posición de TIEMPO).</i></li> </ol>
<b>La luz se prende sin ninguna razón aparente.</b>	<ol style="list-style-type: none"> <li>1. El Control de Luz puede estar detectando animales pequeños o el tránsito de automóviles. <i>(Reapunte el detector).</i></li> <li>2. La Sensibilidad es demasiado alta. <i>(Reduzca la sensibilidad).</i></li> </ol>

SINTOMA	POSIBLE CAUSA
<b>La luz se queda prendida continuamente.</b>	<ol style="list-style-type: none"> <li>1. Un faro está colocado demasiado cerca al detector o apunta a objetos cercanos que hace que el calor active el detector. <i>(Reposicione la lámpara lejos del detector o de los objetos cercanos).</i></li> <li>2. El Control de Luz está apuntando hacia una fuente de calor tal como un conducto de aire, de secadora o hacia una superficie con pintura brillante y que refleja el calor. <i>(Reposicione el detector).</i></li> </ol>
<b>La luz se prende y se apaga.</b>	<ol style="list-style-type: none"> <li>1. El calor o la luz de las lámparas pueden estar prendiendo y apagando el Control de Luz. <i>(Apunte las lámparas lejos del detector. Apague el Boost).</i></li> <li>2. El calor reflejado de otros objetos están prendiendo la alarma del detector. <i>(Apunte de nuevo el detector. Apague el Boost).</i></li> <li>3. El Control se está calentando. <i>(El prenderse y apagarse es normal bajo estas condiciones. Espere 1 minuto para que se caliente el detector).</i></li> <li>4. El Control está en fase de Test. <i>(Fije el interruptor del control a una posición de ON-TIME).</i></li> </ol>

## Garantía JourneyMan® Permanente

Esta es una "garantía limitada" que le da derechos legales específicos. Ud. puede también tener otros derechos que varían de estado a estado o de provincia a provincia.

Por todo el tiempo que Ud. (el comprador original) posea este Producto Journey Man®, cualquier funcionamiento anómalo ocasionado por partes o mano de obra defectuosas de fábrica será corregido sin costo para Ud. **Las bombillas no están cubiertas.** Para obtener un reembolso o reemplazo, devuelva el producto al lugar de compra.

**No Cubierto** - Servicio de reparación, ajuste y calibración debidos al mal uso, abuso o negligencia, bombillas y otros artículos fungibles no están cubiertas bajo esta garantía. un servicio o modificación no autorizados del producto o de cualquier componente que se provea, invalidarán esta garantía en su totalidad. Esta garantía no incluye reembolso por inconveniencia, instalación, tiempo de preparación, pérdida por uso, o servicio no autorizado.

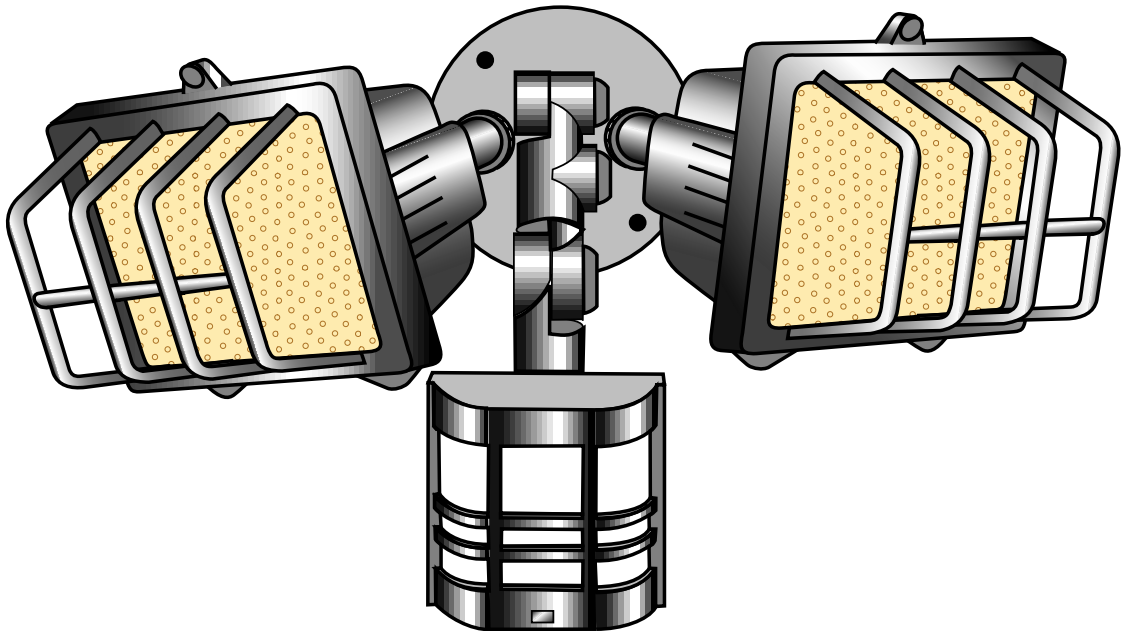
Esta garantía cubre sólo a productos JourneyMan® y no se extiende a otros equipos y componentes que el cliente los usa junto con nuestros productos.

ESTA GARANTÍA ESTÁ EXPRESAMENTE EN LUGAR DE CUALQUIER OTRA GARANTÍA, EXPRESADA O IMPLÍCITA, INCLUYENDO CUALQUIER GARANTÍA, REPRESENTACIÓN O CONDICIÓN DE COMERCIABILIDAD O QUE EL PRODUCTO SEA ADAPTADO PARA CUALQUIER PROPÓSITO O USO PARTICULAR, Y ESPECÍFICAMENTE EN LUGAR DE TODOS LOS DAÑOS ESPECIALES, INDIRECTOS, INCIDENTALES O CONSECUENTES.

LA REPARACIÓN O EL REEMPLAZO SERÁN LAS ÚNICAS ALTERNATIVAS DEL CLIENTE Y NO HABRÁ RESPONSABILIDAD POR PARTE DE HEATH POR NINGÚN DAÑO ESPECIAL, INDIRECTO, INCIDENTAL O CONSECUENTE, INCLUIDOS PERO NO LIMITADOS A PÉRDIDA DEL NEGOCIO O DE LOS BENEFICIOS, SEAN O NO PREVISIBLES. Algunos estados o provincias no permiten la exclusión o limitación de daños incidentales o consecuentes, de modo que la limitación o exclusión arriba indicada pueda que no se aplique a Ud. Guarde el recibo para reclamos de garantía.



**COMMANDE D'ÉCLAIRAGE AU QUARTZ  
TOUT MÉTAL À DÉTECTEUR DE  
MOUVEMENT**  
Modèle HD-9260



# Table des matières

Introduction .....	31
Contenu de l’emballage .....	32
Installation .....	33
Montage mural .....	33
Montage sous avant-toit .....	33
Adaptateur universel .....	34
Câblage standard .....	34
Commande d’appareils de commande sans détecteur de mouvement .....	35
Finir le montage .....	36
Spécifications .....	36
Test et réglage .....	37
Couverture prévue .....	38
Fonctionnement .....	40
Guide de dépannage .....	41
Garantie à vie JourneyMan® .....	42

# Introduction

---

Cher Consommateur:

Nous désirons vous remercier d'avoir acheté ce produit JourneyMan®. Nous de Heath®/Zenith croyons que vous avez acheté le détecteur de mouvement le plus durable offert sur le marché aujourd'hui. Ce produit JourneyMan® vous procurera un fonctionnement durable à vie. Nous avons une telle confiance dans la durabilité de ce produit que nous l'accompagnons d'une garantie à vie.

Heath®/Zenith

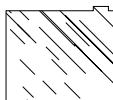
## Caractéristiques de performance améliorées

- ☞ Dents de serrage et vis à ailette robustes permettant un réglage tridimensionnel de la tête du détecteur.
- ☞ Huit garnitures d'étanchéité en caoutchouc silicone protègent les composants et les commandes internes contre les conditions climatiques sévères.
- ☞ Les vis en acier inoxydable préviennent la rouille et la corrosion.
- ☞ Protection intégrée de 1,2 MW contre les surintensités.
- ☞ Concept A.S.I.C. (Application Specific Integrated Circuit) procurant une plus grande fiabilité.
- ☞ Intensificateur de détection optionnel pour étendre la couverture aux endroits difficiles à couvrir.
- ☞ Angle de couverture extrêmement grand (jusqu'à 270°).
- ☞ Il est facile de commander d'autres appareils d'éclairage avec votre appareil JourneyMan® (jusqu'à concurrence de 1000 W total).
- ☞ Lentille plus grande, donc plus grande sensibilité à la lumière infrarouge.
- ☞ Technologie à compte d'impulsions pour réduire les déclenchements intempestifs causés par la pluie et le vent et assurer une fiabilité professionnelle.
- ☞ Cellule photoélectrique automatique mettant l'appareil hors tension le jour pour économiser l'énergie.
- ☞ Réenclenchement après panne de courant. Éteint l'éclairage automatiquement s'il est déclenché par une panne de courant ou un orage électrique.
- ☞ Minuterie réglable pour déterminer la durée de fonctionnement de l'appareil d'éclairage après détection d'un mouvement.
- ☞ Commande de la sensibilité : permet d'ajuster la plage de sensibilité.
- ☞ Priorité manuelle pour allumer/éteindre l'éclairage, à votre goût, au moyen d'un interrupteur mural intérieur.

## Contenu de l'emballage

- Appareil d'éclairage à détecteur de mouvement

- Écran de lentille



- Manuel
- Deux lampes halogènes de 250 W
- Ensemble de quincaillerie

1 Garniture

1 Crochet de suspension



1 Plaque adaptatrice universelle

4 Serre-fils

2 Vis #6-32 de 19 mm  
(pour petites boîtes rectangulaires)

2 Vis #8-32 de 10 mm  
(appareil à adaptateur universel)

4 Vis #8-32 de 19 mm  
(pour boîtes rondes ou octogonales)

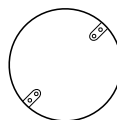
2 Vis #10-24 de 13 mm  
(pour boîtes étanches à l'eau))

## Articles additionnels requis

- Tournevis Phillips

- Échelle

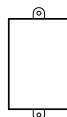
### Convient à tous les types de boîte de jonction



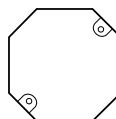
Ronde



Horizontale rectangulaire



Verticale rectangulaire



Octogonale



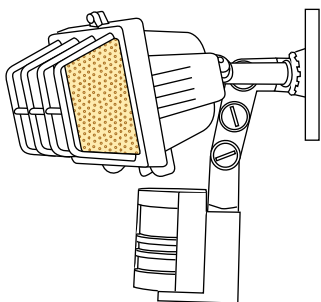
# Installation

## **ATTENTION!: AVANT D'ENTREPRENDRE L'INSTALLATION, COUPER L'ALIMENTATION AU DISJONCTEUR.**

Si vous désirez utiliser la priorité manuelle, installez l'appareil sur un circuit commandé par un interrupteur. Les lampes sont dans des boîtes à l'intérieur des porte-lampes. Pour ouvrir les porte-lampes, enlever les vis à la partie supérieure. Utiliser un linge propre ou le coussinage en mousse entourant la lampe afin que vos doigts ne touchent pas la lampe. Installer les lampes dans le côté droit de la douille en premier, puis dans le gauche. Fermer les porte-lampes et poursuivre l'installation comme indiqué ci-dessous.

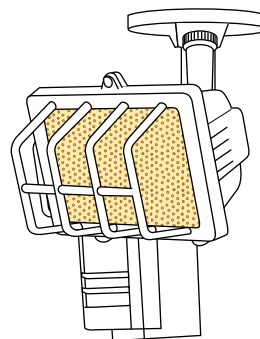
### **Montage mural**

- Desserrer les écrous à ailette tout en soutenant la tête du détecteur et les porte-lampes.
- Ajuster les différentes parties de manière que l'appareil ait une apparence similaire à celle de l'illustration.
- Serrer les vis à ailette avec les doigts à ce moment-ci.



### **Montage sous avant-toit**

- Desserrer les écrous à ailette tout en soutenant la tête du détecteur et les porte-lampes.
- Ajuster les différentes parties de manière que l'appareil ait une apparence similaire à celle de l'illustration.
- Serrer les vis à ailette avec les doigts à ce moment-ci.



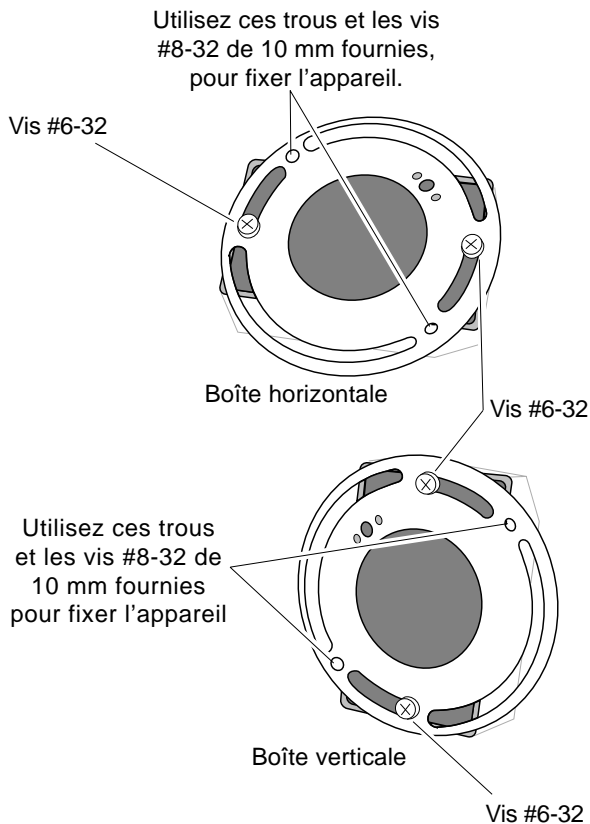
#### **AVERTISSEMENT : Pour éviter les risques de feu ou de brûlure :**

- Laisser refroidir l'appareil avant de le toucher. L'ampoule et l'appareil fonctionnent à hautes températures.
- Garder l'appareil à au moins 76 mm de matériaux combustibles. Ne pas pointer l'appareil vers des objets situés à moins de 1 m.
- Utiliser seulement des ampoules halogènes au tungstène de 120 Vca, de type T250 W maximum.

## Adaptateur Universel

Si vous installez l'appareil JourneyMan® sur une petite boîte de jonction rectangulaire, vous devrez utiliser l'adaptateur universel illustré ci-dessous. D'autres types de boîtes pourraient nécessiter que l'adaptateur soit ajusté autrement.

Si vous utilisez une boîte de jonction octogonale, vous n'aurez probablement pas besoin de l'adaptateur.



Si les trous de montage sur la base de l'appareil ne sont toujours pas alignés avec les trous filetés de l'adaptateur universel, vous pouvez (1) enlever l'adaptateur et l'inverser ou, (2) enlever l'autre paire de débouchures dans la base de l'appareil.

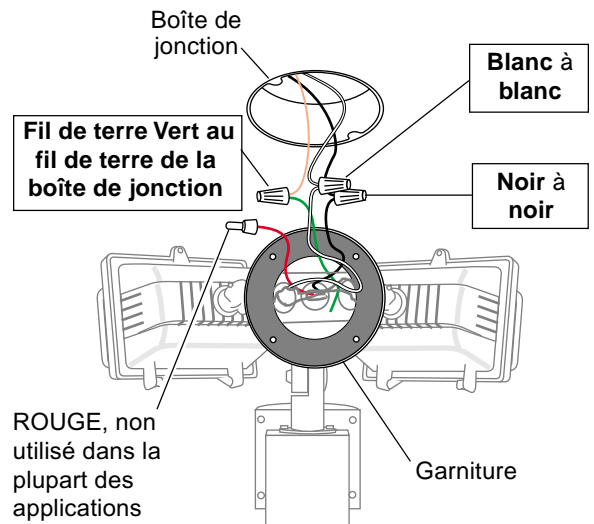
## Câblage standard

**AVERTISSEMENT:** Si vous n'avez pas déjà coupé l'alimentation électrique au disjoncteur ou au fusible, faites-le maintenant.

Assurez-vous que la garniture soit en place avant de raccorder les fils. Vous pourriez trouver commode d'utiliser le fil de suspension fourni pour retenir l'appareil à la boîte de jonction pendant l'opération de câblage.

Raccordez les fils de la boîte de jonction à ceux de l'appareil. Torsadez-les ensemble et fixez-les avec les serre-fils.

**AVERTISSEMENT:** Si vous ne commandez pas d'autres appareils d'éclairage au moyen de votre appareil JourneyMan®, NE BRANCHEZ PAS le fil ROUGE.

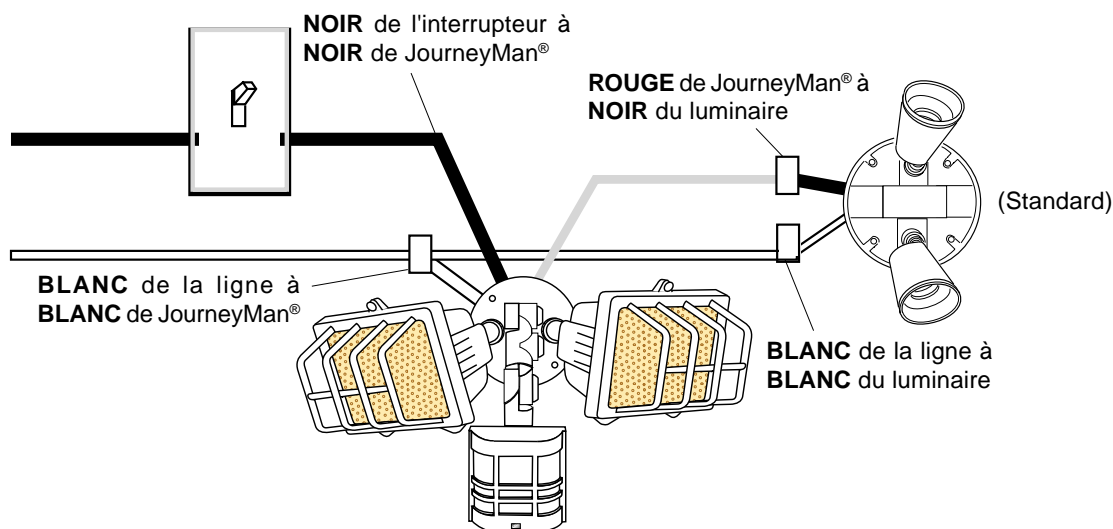


## Commande d'appareils d'éclairage sans détecteur de mouvement

- ❑ **Pour le câblage à un seul appareil d'éclairage additionnel:** Dénudez le fil **rouge** du détecteur et raccordez-le au fil **noir** de l'appareil d'éclairage. La puissance totale des appareils ne doit pas dépasser 1000W (8,3 A).

**NOTE:** Le câblage entre les appareils doit être conforme aux exigences du Code National d'électricité et monté dans un conduit ou d'une autre façon acceptable. **Si vous vous demandez si le système est approprié, consultez un électricien reconnu.**

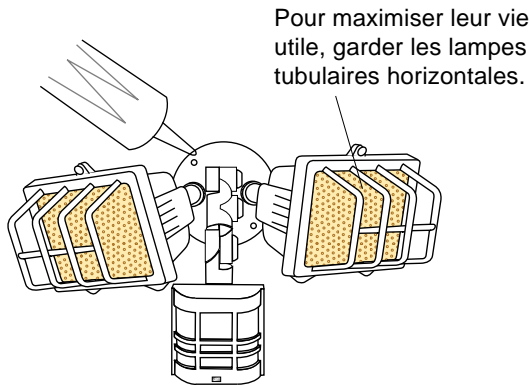
- ❑ Cet appareil est pourvu d'un détecteur d'une puissance de 1000 W. Puisque la puissance de l'appareil d'éclairage n'est que de 500 W, le détecteur peut accepter une charge additionnelle de 500 W.
- ❑ Lorsque vous voulez déterminer la capacité de puissance d'un appareil, il ne suffit pas de lire l'indication de puissance de l'ampoule. Regardez plutôt l'étiquette qui indique la puissance maximale de l'appareil d'éclairage.
- ❑ Une fois que vous avez déterminé les appareils à raccorder et leur puissance maximale, additionnez ces puissances. Par exemple, si vous utilisez 3 appareils de 100 W, 150 W et 75 W respectivement, la charge totale sera de 325 W.



**Câblage à un appareil d'éclairage à détecteur de mouvement et à un appareil d'éclairage standard**

## Finir le montage

- ❑ Alignez les trous de la plaque de base JourneyMan®, de la garniture et de la boîte de jonction. Fixez l'ensemble avec des vis de montage adaptées à la boîte de jonction.
- ❑ Si l'appareil n'est pas monté sur une boîte de jonction étanche ou si une plaque adaptatrice n'est pas utilisée, **calfeutrez l'interface entre la plaque de base et la surface de montage** avec un scellant silicone.



## Spécifications

Portée .....	Jusqu'à 30,5 m avec l'intensificateur de détection; jusqu'à 21 m sans l'intensificateur de détection. (Varie selon la température ambiante).
Angle de détection .....	Jusqu'à 270
Charge de l'appareil .....	500 W m a x i m u m , incandescence
Capacité de charge du détecteur .....	1000 W ( 8 , 3 A ) , incandescence
Alimentation .....	120 VCA, 60 Hz
Modes de fonctionnement .....	TEST, AUTO et PRIORITÉ MANUELLE
Minuteries .....	1 , 5 et 20 minutes
Sensibilité .....	Réglable

### AVERTISSEMENT : Pour éviter les risques de feu ou de brûlure :

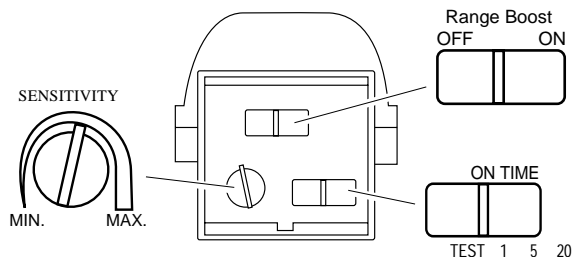
- Laisser refroidir l'appareil avant de le toucher. L'ampoule et l'appareil fonctionnent à hautes températures.
- Garder l'appareil à au moins 76 mm de matériaux combustibles. Ne pas pointer l'appareil vers des objets situés à moins de 1 m.
- Utiliser seulement des ampoules halogènes au tungstène de 120 Vca, de type T250 W maximum.

# Test et réglage

**NOTES:** Lorsque vous allumez l'appareil, ou lorsque vous passez du mode manuel (Manual) au mode automatique (Auto), attendez 1 1/2 minute, soit le temps qu'il faut à l'appareil pour se calibrer.

S'il est testé avec l'intensificateur de détection pendant le jour, l'appareil pourrait avoir un fonctionnement anormal.

- Mettez le disjoncteur et l'interrupteur d'éclairage sous tension.
- Ouvrez le couvercle d'accès (dessous de l'appareil) en tirant sur la patte du couvercle en caoutchouc.
- Placez la commande de sensibilité au centre de sa plage de réglage, RANGE BOOST à OFF et ON-TIME à la position TEST.



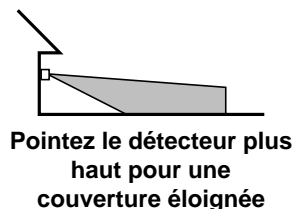
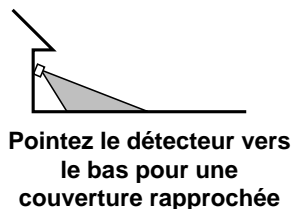
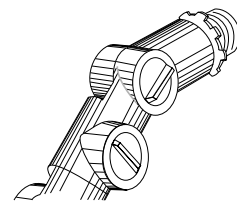
**Dessous du détecteur**

## **Ne pointez pas le détecteur en direction:**

- D'objets dont la température change rapidement, comme **bouches de chaleur et climatiseurs**, pour prévenir les déclenchements intempestifs.
- D'endroits où **les animaux domestiques ou la circulation** peuvent déclencher la commande.
- **De grands objets de couleur pâle à proximité**, puisque la lumière réfléchie peut actionner le dispositif de fermeture. Ne pointez pas d'autres sources de lumière vers le détecteur.

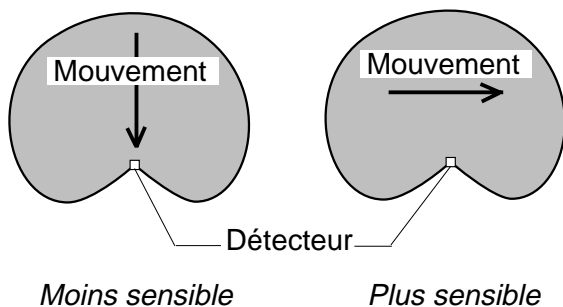
## Test et réglage (suite)

- Desserrez les vis à ailette, évaluez l'orientation du détecteur et resserrez les vis à ailettes juste assez pour maintenir le détecteur en place.
- Marchez dans la zone de couverture et notez les endroits où vous vous trouvez lorsque l'éclairage s'allume. Desserrez les vis à ailette et réorientez le détecteur si nécessaire. Resserrez les vis à ailette (au doigt) lorsque vous êtes satisfait de la couverture. **Gardez le détecteur à au moins 25 mm des ampoules et gardez les commandes à la partie inférieure.**
- Réglez la sensibilité (SENSITIVITY) au besoin pour augmenter ou diminuer la portée. Une trop grande sensibilité pourrait augmenter les déclenchements intempestifs.
- Réglez le temps d'éclairage (ON-TIME) à 1, 5 ou 20 minutes après détection de mouvement la nuit.
- Si vous désirez que l'appareil détecte le mouvement au-delà de 21 m, mettez l'intensificateur de détection sous tension.
- Remettez le couvercle de caoutchouc en place pour protéger la commande.

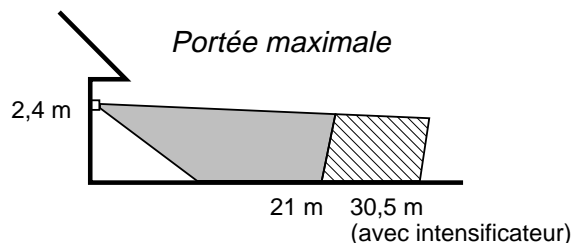


## Couverture prévue

Le détecteur est moins sensible au mouvement dans sa direction qu'au mouvement croisant son champ de vision.

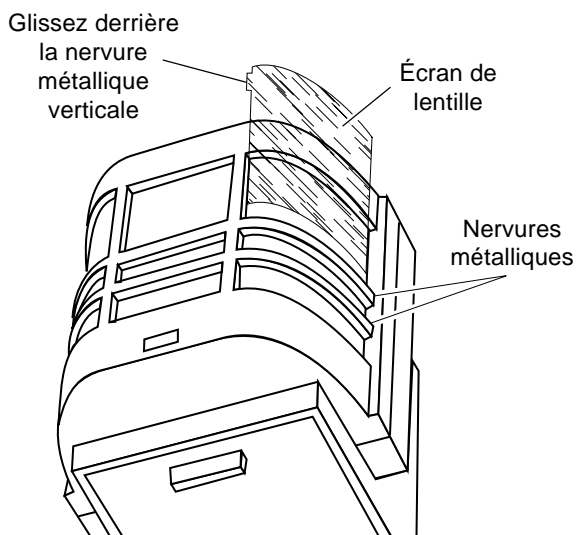


Lorsque l'appareil est monté 2,4 m au-dessus du niveau du sol, vous pouvez espérer la couverture illustrée ci-dessous. S'il est monté beaucoup plus haut, le détecteur peut manquer des objets situés près du sol. Monté beaucoup plus bas, la portée du détecteur pourrait être réduite.

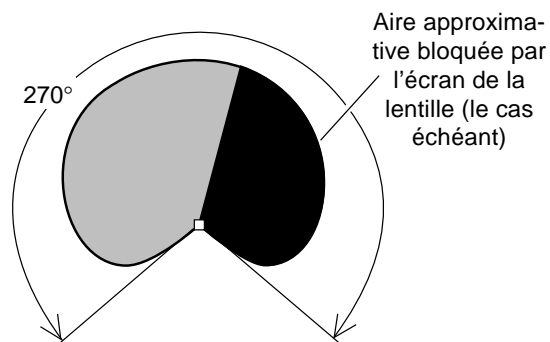


Si la couverture grand angle (270°) est trop large pour vos besoins, vous pouvez ajouter l'écran de lentille pour réduire l'angle de couverture.

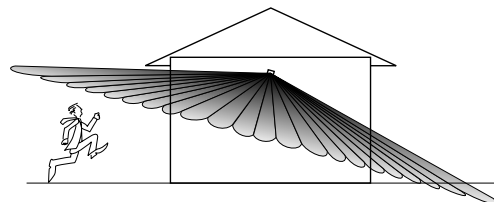
- Décidez de quel côté de la lentille vous installerez l'écran.
- Recourbez l'écran comme illustré ci-dessous. Glissez l'écran sous les deux nervures métalliques du boîtier. Assurez-vous que l'écran glisse jusqu'au fond pour qu'il soit complètement au contact de la lentille.
- Glissez la petite saillie de l'écran derrière la nervure métallique verticale pour maintenir le dessus de l'écran en place.



### Angle de couverture maximum



Si le détecteur n'est pas conservé de niveau, vous pourriez remarquer une diminution de la portée puisque les objets pourraient passer sous la zone de détection sans être détectés.



# Fonctionnement

Mode:	Temps:	Fonctionne: Jour	Nuit
<b>Test</b>	5 s	X	X
<b>Auto</b>	1, 5 ou 20 min.		X
<b>Manuel</b>	Jusqu'à l'aube*		X

\* Se remet en mode Auto à l'aube.

## INTENSIFICATEUR DE DÉTECTION

Activez l'intensificateur de détection pour augmenter la couverture seulement si nécessaire.

Off  On  
Range Boost

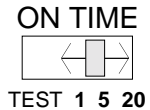
## TEST

Placez l'interrupteur ON-TIME (temps en circuit) du dessous du détecteur à la position TEST et la commande de l'intensificateur de détection (Range Boost), à la position hors circuit (Off).

ON TIME  
TEST 1 5 20

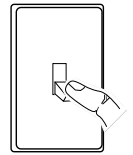
## AUTO

Placez l'interrupteur ON-TIME à la position 1, 5 ou 20 minutes.

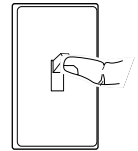


## PRIORITÉ MANUELLE

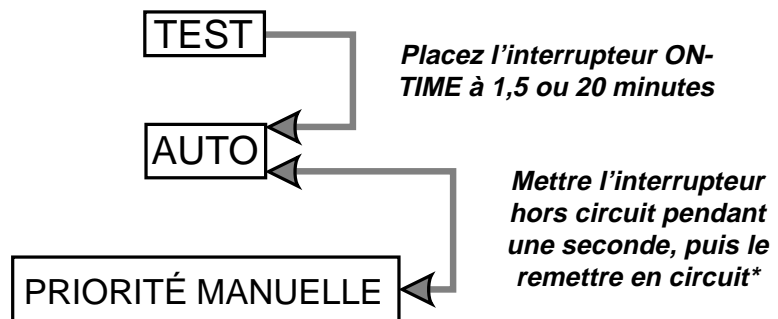
Le mode manuel ne fonctionne que la nuit parce que la lumière du jour remet le capteur en mode AUTO.



Mettez l'interrupteur hors circuit 1 seconde hors tension puis... pendant une seconde, plus en circuit pour alterner entre les modes AUTO et MANUEL.



Le mode manuel ne fonctionne que lorsque l'interrupteur ON-TIME est aux positions 1, 5 ou 20. ...remise sous tension.



\* Si vous ne savez plus dans quel mode se trouve l'appareil, couper l'alimentation pendant une minute puis la rétablir. Après le temps d'étalonnage, la commande reviendra au mode AUTO.



# Guide de dépannage

Si vous éprouvez un problème, consultez le présent guide.

SYMPTÔME	CAUSE POSSIBLE
<b>L'éclairage ne s'allume pas.</b>	<ol style="list-style-type: none"> <li>1. L'interrupteur d'éclairage est hors tension.</li> <li>2. Le projecteur es dévissé ou brûlé.</li> <li>3. Le fusible a sauté ou le disjoncteur a été déclenché</li> <li>4. Le dispositif de coupure pendant le jour fonctionne. <i>(Vérifiez à nouveau à la noirceur).</i></li> <li>5. Mauvais câblage du circuit, dans le cas d'une nouvelle installation.</li> <li>6. Réorientez le détecteur pour couvrir l'aire désirée.</li> </ol>
<b>L'éclairage s'allume en plein jour.</b>	<ol style="list-style-type: none"> <li>1. La commande peut être installée dans un endroit relativement sombre.</li> <li>2. La commande est en mode test. <i>(Placez l'interrupteur de la commande à une position ON-TIME).</i></li> </ol>
<b>L'éclairage s'allume sans raison apparente.</b>	<ol style="list-style-type: none"> <li>1. La commande peut détecter de petits animaux ou la circulation automobile. <i>(Réorientez le détecteur ou utilisez l'écran de lentille).</i></li> <li>2. Le réglage de sensibilité est trop élevé. <i>(Réduisez la sensibilité. Mettez l'intensificateur de détection hors tension).</i></li> </ol>

SYMPTÔME	CAUSE POSSIBLE
<b>L'éclairage demeure allumé continuellement.</b>	<ol style="list-style-type: none"> <li>1. Une lampe est située trop près du détecteur ou pointée vers des objets qui déclenchent le détecteur. <i>(Réorientez la lampe loin du détecteur ou des objets).</i></li> <li>2. La commande est pointée vers une source de chaleur comme un évent, une sortie de sècheuse, ou une surface claire qui réfléchit la chaleur. <i>(Réorientez le détecteur ou utilisez l'écran de lentille).</i></li> </ol>
<b>L'éclairage clignote.</b>	<ol style="list-style-type: none"> <li>1. La chaleur ou l'éclairage des lampes peut éteindre et allumer la commande d'éclairage. <i>(Orientez les lampes loin du détecteur ou des objets. Mettez l'intensificateur de détection hors tension).</i></li> <li>2. La chaleur réfléchi par les objets environnants déclenche le détecteur. <i>(Réorientez le détecteur ou utilisez l'écran de lentille).</i></li> <li>3. La commande se réchauffe. <i>(Le clignotement est normal dans ces conditions. Laissez le détecteur se réchauffer pendant 1 minute.)</i></li> <li>4. La commande est en mode Test. <i>(Placez l'interrupteur de la commande à une position ON-TIME).</i></li> </ol>

## Garantie à vie JourneyMan®

Il s'agit d'une « Garantie limitée » qui vous confère des droits juridiques spécifiques. Vous pouvez également jouir d'autres droits, variables d'une province à l'autre.

Tant et aussi longtemps que vous (l'acheteur initial) possédez ce produit JourneyMan®, toute anomalie de fonctionnement imputable à un vice de matériau ou de main-d'oeuvre sera corrigée gratuitement. **Les ampoules ne sont pas couvertes par la garantie.** Pour obtenir un remboursement ou un remplacement, retournez le produit au point d'achat.

**Exclusions de la garantie** - Le service de réparation, l'ajustement et l'étalonnage nécessités par un mésusage, un usage abusif ou la négligence, les ampoules et autres consommables ne sont pas couverts par la présente garantie. Le service non autorisé ou la modification du produit ou d'un ou l'autre de ses composants fournis invalidera totalement la présente garantie. Cette garantie ne comprend pas le remboursement pour dérangement, installation, temps de montage, perte d'utilisation ou service non autorisé. La garantie ne couvre que les produits JourneyMan® et ne s'étend pas aux autres équipements et composants que le client pourrait utiliser conjointement avec nos produits.

CETTE GARANTIE TIENT EXPRESSÉMENT LIEU DE TOUTES AUTRES GARANTIES, EXPLICITES OU IMPLICITES, Y COMPRIS DE TOUTE GARANTIE DE REPRÉSENTATION OU DE CONDITION DE CONVENANCE À LA COMMERCIALISATION OU À L'EFFET QUE LES PRODUITS CONVIENNENT À UN BUT OU À UNE UTILISATION PARTICULIÈRE, ET SPÉCIFIQUEMENT DE TOUS DOMMAGES SPÉCIAUX, DIRECTS, INDIRECTS OU SECONDAIRES. LE REMPLACEMENT OU LA RÉPARATION CONSTITUENT LE SEUL RECOURS DU CLIENT ET HEATH NE POURRA ÊTRE TENUE RESPONSABLE DE TOUS DOMMAGES SPÉCIAUX, DIRECTS, INDIRECTS OU SECONDAIRES, Y COMPRIS, SANS S'Y LIMITER, LES PERTES COMMERCIALES ET PERTES DE PROFIT, QU'ELLES SOIENT PRÉVISIBLES OU NON. Certaines provinces n'autorisent pas l'exclusion ou la limitation des dommages indirects ou secondaires, et la limitation ou l'exclusion ci-dessus pourrait ne pas s'appliquer à vous. Conservez le reçu pour réclamations sous garantie.