



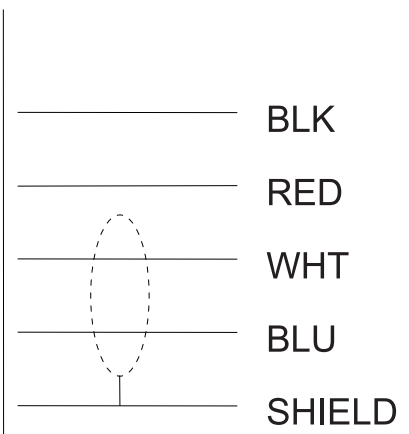
## PH-88

### Single-Sided Headset with Flexible Dynamic Boom Mic

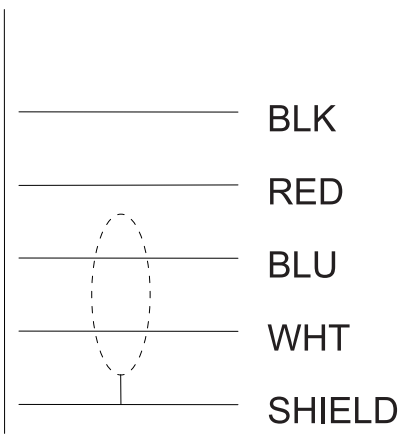
The PH-88 is a single-sided super lightweight headset for the ultimate in daylong comfort. It offers a dynamic noise-canceling gooseneck microphone with a semi-rigid, fully adjustable boom for precise positioning. The high-quality wide band dynamic earphones are covered in moleskin for superior fit, isolation and frequency response. Available with 4-pin male or female XLR connectors with coiled or straight cords, a 5-pin male XLR connector, dual 3.5mm connector, or a 3.5mm 4-conductor connector.

## Wiring Diagram

Connection in headset	Wire color at cord termination	Connection in headset	Wire color at cord termination
L SPK +	BLK	L SPK +	BLK
SPK -	RED	SPK -	RED
MIC +	WHT	MIC +	BLU
MIC -	BLU	MIC -	WHT
MIC SHIELD	SHIELD	MIC SHIELD	SHIELD



**PH-88**



**PH-88-IC3**

# PH-88 Specifications

## Connector Termination

PH-88: XLR 4-pin Female  
PH-88E: XLR 4-pin Female coiled cord  
PH-88ER: XLR 4-pin Male coiled cord  
PH-88IC3: Dual 3.5mm  
PH-88R: XLR 4-pin Male  
PH-88R5: XLR 5-pin Male  
PH-8S: 3.5mm 4-conductor

## Type

Single Sided

## Mic Type

Dynamic Noise-Canceling

## Mic Sensitivity

-65dBV/Pa @1cm

## Mic Frequency Range

200Hz - 10kHz

## Mic Impedance

200Ω

## Speaker Sensitivity

109dB SPL @1kHz, 1mW

## Speaker Frequency Range

100Hz - 7kHz

## Speaker Impedance

300Ω

## Weight

2.5oz. (not including cord)

## Cord Length

PH-88: 5.5 ft.  
PH-88E: 2 ft. retracted, 12 ft. extended  
PH-88ER: 2 ft. retracted, 12 ft. extended  
PH-88IC3: 9 ft.  
PH-88R: 5.5 ft.  
PH-88R5: 5.5 ft.  
PH-8S: 9 ft.

## Ordering Information

### PH-88

Single-Sided Headset with Flexible Dynamic Boom  
Mic & A4F Connector  
Catalog Number: 300852-200

### PH-88-IC3

Single-Sided headset with Flexible Dynamic Boom  
Mic & two 3.5mm Connectors. Works with the ICW-3.  
Catalog Number: 300852-300

### PH-88E

Single-Sided Headset with Flexible Dynamic Boom  
Mic, A4F Connector, & Extended Cable  
Catalog Number: 300852-203

### PH-88ER

Single-Sided Headset with Flexible Dynamic Boom  
Mic, A4M Connector, & Extended Cable  
Catalog Number: 300852-204

### PH-88R

Single-Sided Headset with Flexible Dynamic Boom  
Mic & A4M Connector  
Catalog Number: 300852-201

### PH-88R5

Single-Sided Headset with Flexible Dynamic Boom  
Mic & A5M Connector  
Catalog Number: 300852-202

### PH-8S

Single-Sided Headset with Flexible Dynamic Boom  
Mic & 3.5mm Mini Connector for Sony Cameras  
Catalog Number: 301494-000

## Contact Information

Telex Communications, Inc.  
12000 Portland Avenue South  
Burnsville, Minnesota 55337  
Telephone: 877-863-4169  
Fax: (800) 323-0498

Form Number: 38109-834 Rev D  
Date: December, 2007

This specifications information is preliminary and is subject to change without notification.  
Brand names mentioned are the property of their respective companies.