



## PH-200

### Dual-Sided Headset with Flexible Dynamic Boom Mic

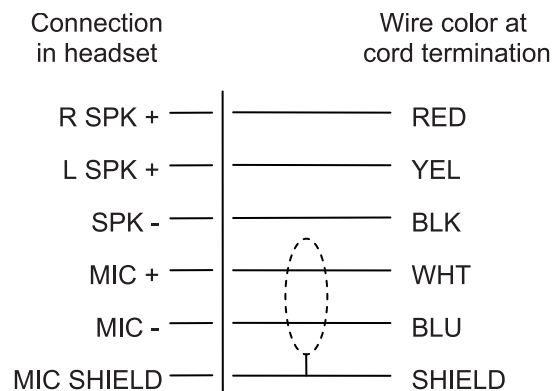
The PH-200 is a premium medium-weight noise reduction headset with dynamic microphone. The PH-200 features a unique, comfortable headband design that distributes pressure evenly. This headset comes with high quality moleskin cushions and offers a 21 dB noise reduction rating. The PH-200 is portable and able to fold into an extremely compact shape. Available in 4- or 5-pin XLR connectors (male or female) and pigtail termination.

## Features

**Boom Microphone**

**Headband Pressure Adjustments**

## Wiring Diagram



# PH-200 Specifications

## Connector Termination

PH-200: XLR 4-pin Female  
PH-200A5: XLR 5-pin Female  
PH-200PT: Stripped Wire  
PH-200R: XLR 4-pin Male  
PH-200R5: XLR 5-pin Male

## Type

PH-200: Dual Sided Monaural  
PH-200A5: Dual Sided Stereo  
PH-200PT: Dual Sided  
PH-200R: Dual Sided Monaural  
PH-200R5: Dual Sided Stereo

## Mic Type

Dynamic Noise-Canceling

## Mic Sensitivity

-65dBV/Pa @1cm

## Mic Frequency Range

150Hz - 8kHz

## Mic Impedance

200Ω

## Speaker Sensitivity

97dB SPL @1kHz, 1mW

## Speaker Frequency Range

500Hz - 4kHz

## Speaker Impedance

PH-200: 150Ω  
PH-200A5: 300Ω per side  
PH-200PT: 300Ω per side  
PH-200R: 150Ω  
PH-200R5: 300Ω per side

## Weight

18oz. (not including cord)

## Cord Length

6 ft.

## Ordering Information

### PH-200

Dual-Sided Headset with Flexible Dynamic Boom Mic & A4F Connector  
Catalog Number: 301581-002

### PH-200A5

Dual-Sided Headset with Flexible Dynamic Boom Mic & A5F Connector  
Catalog Number: 301581-004

### PH-200PT

Dual-Sided Headset with Flexible Dynamic Boom Mic & Pigtail Termination  
Catalog Number: 301581-006

### PH-200R

Dual-Sided Headset with Flexible Dynamic Boom Mic & A4M Connector  
Catalog Number: 301581-003

### PH-200R5

Dual-Sided Headset with Flexible Dynamic Boom Mic & A5M Connector  
Catalog Number: 301581-005

## Contact Information

Telex Communications, Inc.  
12000 Portland Avenue South  
Burnsville, Minnesota 55337  
Telephone: 877-863-4169  
Fax: (800) 323-0498

Form Number: LIT000206000 Rev A

Date: December, 2007

This specifications information is preliminary and is subject to change without notification.

Brand names mentioned are the property of their respective companies.