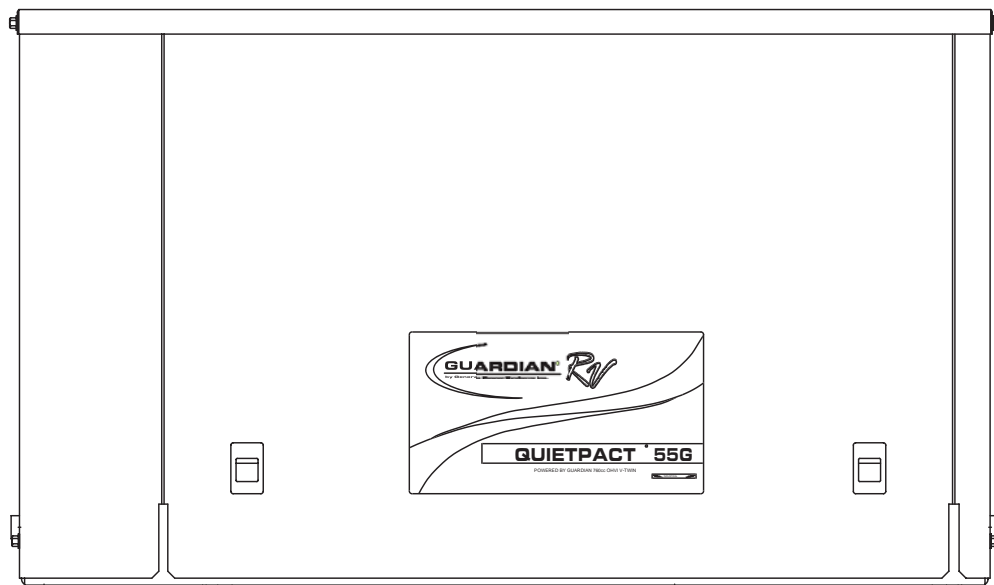




Owner's Manual

**Air-cooled Recreational
Vehicle Generators**
QUIETPACT 55, 65 and 75

- Models: 004702-0, 004703-0
004704-0, 004705-0
004706-0, & 004707-0



This manual should remain with the unit.

INTRODUCTION

◆ READ THIS MANUAL THOROUGHLY

If you do not understand any portion of this manual, contact Generac or your nearest Generac Authorized Service Dealer for starting, operating and servicing procedures.

Throughout this publication, and on tags and decals affixed to the generator, DANGER, WARNING, CAUTION and NOTE blocks are used to alert you to special instruction about a particular operation that may be hazardous if performed incorrectly or carelessly. Observe them carefully. Their definitions are as follows:



After this heading, you can read instructions that, if not strictly complied with, will result in personal injury, including death, and property damage.



After this heading, you can read instructions that, if not strictly complied with, may result in personal injury or property damage.




After this heading, you can read instructions that, if not strictly complied with, could result in damage to equipment and/or property.


NOTE:

After this heading, you can read explanatory statements that require special emphasis.


These safety warnings cannot eliminate the hazards that they indicate. Common sense and strict compliance with the special instructions while performing the service are essential to preventing accidents.

Four commonly used safety symbols accompany the Danger, Warning and Caution blocks. The type of information each indicates follows:

 This symbol points out important safety information that, if not followed, could endanger personal safety and/or property of you and others.

 This symbol points out potential explosion hazard.

 This symbol points out potential fire hazard.

 This symbol points out potential electrical shock hazard.

The operator (driver) is responsible for proper and safe use of the vehicle and its equipment, and the safety of all vehicle occupants. We strongly recommend that the operator read this manual and thoroughly understand all instructions before using this equipment. We also strongly recommend instructing other occupants in the vehicle to properly start and operate the generator. This prepares them if they need to operate the equipment in an emergency.

◆ CONTENTS

This manual contains pertinent owner's information, including warranty, electrical diagrams, exploded views and lists of repair parts for generator model numbers 004702-0, 004703-0, 004704-0, 004705-0, 004706-0, and 004707-0. In addition, the latter portion of this manual contains information necessary for the proper installation of these generators.

◆ OPERATION AND MAINTENANCE

It is the operator's responsibility to perform all safety checks, to make sure that all maintenance for safe operation is performed promptly, and to have the equipment checked periodically by a Generac Authorized Service Dealer. Normal maintenance service and replacement of parts are the responsibility of the owner/operator and, as such, are not considered defects in materials or workmanship within the terms of the warranty. Individual operating habits and usage contribute to the need for maintenance service.

Proper maintenance and care of your generator ensure a minimum number of problems and keep operating expenses at a minimum. See your Generac Authorized Service Dealer for service aids and accessories.

◆ HOW TO OBTAIN SERVICE

When your generator requires servicing or repairs, simply contact a Generac Authorized Service Dealer for assistance. Service technicians are factory-trained and are capable of handling all of your service needs.

When contacting a Generac Authorized Service Dealer or the factory about parts and service, always supply the complete model number and serial number of your unit as given on its data decal, which is located on your generator.

Model No. _____ Serial No. _____

AUTHORIZED SERVICE DEALER LOCATION

To locate the GENERAC AUTHORIZED SERVICE DEALER nearest you, please call this number:

1-800-333-1322

ONLY DEALER LOCATION INFORMATION
CAN BE OBTAINED AT THIS NUMBER.

Part I – Operating Instructions

Introduction.....Inside Front Cover

Read This Manual ThoroughlyIFC
 ContentsIFC
 Operation and MaintenanceIFC
 How to Obtain ServiceIFC
 Authorized Service Dealer Locator NumberIFC

Safety Rules.....2

Section 1 – General Information4

1.1 Generator Identification4
 1.2 Generator Applicability5
 1.3 Installation5
 1.4 Safety5
 1.5 Generator AC Connection System5
 1.6 Specifications6
 1.6.1 Fuel Requirements6
 1.6.2 Engine Oil Requirements6
 1.6.3 Generator Specifications.....6
 1.6.4 Engine Specifications7
 1.6.5 Emissions Compliance Period7

Section 2 – Operation.....7

2.1 Generator Control Panel7
 2.1.1 Fuel Primer7
 2.1.2 Start/Stop Switch7
 2.1.3 15 Amp Fuse.....7
 2.1.4 Line Breakers7
 2.2 Optional Remote Start/Stop Panel.....8
 2.3 Automatic Choke8
 2.3.1 Choke Solenoid8
 2.3.2 Prechoke.....8
 2.4 Before Starting the Engine8
 2.4.1 Installation.....8
 2.4.2 Engine Lubrication8
 2.4.3 Fuel Supply8
 2.4.4 Cooling and Ventilating Air8
 2.4.5 Engine Exhaust Gas8
 2.5 Starting the Generator9
 2.6 Stopping the Generator.....9
 2.7 Applying Loads to Generator9
 2.7.1 Letting the Engine Stabilize9
 2.7.2 Do Not Overload the Generator10
 2.8 Protection Systems10
 2.8.1 Low Oil Pressure Switch.....10
 2.8.2 High Temperature Switch10
 2.8.3 Field Boost10
 2.8.4 Overvoltage Protection11
 2.8.5 25-Hour Break-in Period.....11
 2.8.6 25-Hour Checkup11
 2.8.7 Operation in High Grass or Brush11

Section 3 – Maintenance11

3.1 Checking the Engine Oil Level.....11
 3.2 Changing the Engine Oil and/or Oil Filter12
 3.3 Maintaining the Engine Air Cleaner12
 3.3.1 Cleaning the Foam Precleaner.....12
 3.4 Checking the Engine Spark Plug.....13
 3.5 Fuel Filter (Gasoline Only)13
 3.6 Clean Spark Arrestor13
 3.7 Cleaning the Generator14
 3.8 Battery Maintenance14
 3.8.1 Weekly14
 3.8.2 Every Six Months14
 3.9 Major Service Manual15
 3.10 Drive Belt15
 3.11 Exercising the Generator15
 3.12 Out of Service Procedure15
 3.12.1 Removal From Service15
 3.12.2 Return to Service15
 3.13 RV Generator Service Interval.....15

Section 4 – Notes.....16

Part II – Installation Instructions17

Safety Rules.....18

Section 5 – General Information.....20

5.1 Purpose and Scope of the Installation Instructions.....20
 5.2 Safety20
 5.3 Standards Booklets20
 5.4 Equipment Description20
 5.5 Generator Engine Operating Speed.....20
 5.6 Generator AC Connection System20
 Major Features and Dimensions21

Section 6 – Installation22

6.1 Location and Support22
 6.1.1 Generator Location22
 6.1.2 Generator Support22
 6.1.3 Suspended Mounting23
 6.1.4 Generator Restraint23
 6.2 Generator Compartments23
 6.2.1 Compartment Size23
 6.2.2 Compartment Construction23
 6.2.3 Sound Insulating Materials24
 6.2.4 Acoustics25
 6.2.5 Compartment Floor Cutouts.....25
 6.3 Cooling and Ventilating Air25
 6.3.1 Generator Airflow25
 6.3.2 Testing the Installation26
 6.4 Gasoline Fuel System26
 6.4.1 Fuel Tank27
 6.4.2 Generator Fuel Supply Line27
 6.5 LP Gas Fuel System27
 6.5.1 LP Fuel Consumption27
 6.5.2 Parts Not Included in Fuel System27
 6.5.3 Some Important Considerations.....28
 6.5.4 Vapor Withdrawal28
 6.5.5 Primary Regulator.....28
 6.5.6 Gaseous Carburetion28
 6.5.7 Fuel Supply Lines29
 6.5.8 Excess Flow Valve29
 6.5.9 Leakage Tests29
 6.6 Exhaust System29
 6.6.1 Mufflers and Spark Arrestors.....30
 6.6.2 Exhaust System Safety30
 6.7 Electrical Connections30
 6.7.1 Electrical Junction Box30
 6.7.2 Wiring31
 6.7.3 Generator AC Connections31
 6.7.4 Conduit.....31
 6.7.5 Isolating Different Power Sources31
 6.7.6 Power Supply Cord.....31
 6.7.7 Ground Fault Circuit Interrupters32
 6.8 Battery Installation32
 6.8.1 Recommended Battery32
 6.8.2 Battery Cables32
 6.8.3 Battery Cable Connections32
 6.8.4 Battery Compartment32
 6.9 Optional Accessories.....34
 6.9.1 Remote Panel Models34

Section 7 – Post Installation34

7.1 Post Installation Tests34
 7.2 Before Initial Start-up34
 7.3 Initial Start34
 7.4 Testing Under Load35
 7.5 Installation Checklist35

Section 8 – Troubleshooting36

8.1 Troubleshooting Guide36

Section 9 – Notes.....37

Section 10 – Electrical Data38

Section 11 – Exploded Views and Parts Lists.....40

Section 12 – Warranty52



SAVE THESE INSTRUCTIONS – The manufacturer suggests that these rules for safe operation be copied and posted in potential hazard areas of the recreational vehicle. Safety should be stressed to all operators and potential operators of this equipment.

**WARNING:**

The engine exhaust from this product contains chemicals known to the state of California to cause cancer, birth defects or other reproductive harm.

**WARNING:**

This product contains or emits chemicals known to the state of California to cause cancer, birth defects or other reproductive harm.

Study these SAFETY RULES carefully before installing, operating or servicing this equipment. Become familiar with this manual and with the unit. The generator can operate safely, efficiently and reliably only if it is properly installed, operated and maintained. Many accidents are caused by failing to follow simple and fundamental rules or precautions.

Generac cannot possibly anticipate every possible circumstance that might involve a hazard. The warnings in this manual, and on tags and decals affixed to the unit, are, therefore, not all-inclusive. If you use a procedure, work method or operating technique Generac does not specifically recommend, you must satisfy yourself that it is safe for you and others. You also must make sure the procedure, work method or operating technique that you choose does not render the generator unsafe.

—  **DANGER**  —

Despite the safe design of this generator, operating this equipment imprudently, neglecting its maintenance or being careless can cause possible injury or death. Permit only responsible and capable persons to operate or maintain this equipment.

Potentially lethal voltages are generated by these machines. Ensure all steps are taken to render the machine safe before attempting to work on the generator.

Parts of the generator are rotating and/or hot during operation. Exercise care near running generators.

**GENERAL HAZARDS**

- For safety reasons, Generac recommends that the installation, initial start-up and maintenance of this equipment is carried out by a Generac Authorized Service Dealer.
- The generator engine releases DEADLY carbon monoxide gas through its exhaust system. This dangerous gas, if breathed in sufficient concentrations, can cause unconsciousness or even death. Never operate the generator set with the vehicle inside any garage or other enclosed area. **DO NOT OPERATE THE GENERATOR IF THE EXHAUST SYSTEM IS LEAKING OR HAS BEEN DAMAGED. SYMPTOMS OF CARBON MONOXIDE POISONING ARE (a) inability to think coherently, (b) nausea, (c) vomiting, (d) twitching muscles, (e) throbbing temples, (f) dizziness, (g) headaches, (h) weakness, and (i) sleepiness. IF YOU EXPERIENCE ANY OF THESE SYMPTOMS, MOVE INTO FRESH AIR IMMEDIATELY. IF SYMPTOMS PERSIST, GET MEDICAL HELP.** Shut down the generator and do not operate it until it has been inspected and repaired.
- Never sleep in the vehicle while the genset is running unless the vehicle has a working carbon monoxide detector. The exhaust system must be installed in accordance with the genset installation manual. Make sure there is ample fresh air when operating the genset in a confined area.
- Keep hands, feet, clothing, etc., away from drive belts, fans, and other moving or hot parts. Never remove any drive belt or fan guard while the unit is operating.
- Adequate, unobstructed flow of cooling and ventilating air is critical to correct generator operation and is required to expel toxic fumes and fuel vapors from the generator compartment. Without sufficient cooling airflow, the engine/generator quickly overheats, which causes serious damage to the generator. Do not alter the installation or permit even partial blockage of ventilation provisions, as this can seriously affect safe operation of the generator.
- When working on this equipment, remain alert at all times. Never work on the equipment when you are physically or mentally fatigued.
- Inspect the generator regularly, and contact your nearest Generac Authorized Service Dealer immediately for parts needing repair or replacement.



QUIETPACT 55, 65, and 75 Recreational Vehicle Generators

- Before performing any maintenance on the generator, disconnect its battery cables to prevent accidental start up. Disconnect the cable from the battery post indicated by a **NEGATIVE**, **NEG** or **(-)** first. Reconnect that cable last.
- Never use the generator or any of its parts as a step. Stepping on the unit can stress and break parts, and may result in dangerous operating conditions from leaking exhaust gases, fuel leakage, oil leakage, etc.

ELECTRICAL HAZARDS

- The generator covered by this manual produces dangerous electrical voltages and can cause fatal electrical shock. Avoid contact with bare wires, terminals, connections, etc., while the unit is running. Ensure all appropriate covers, guards and barriers are in place before operating the generator. If you must work around an operating unit, stand on an insulated, dry surface to reduce shock hazard.
- Do not handle any kind of electrical device while standing in water, while barefoot, or while hands or feet are wet. **DANGEROUS ELECTRICAL SHOCK MAY RESULT.**
- During installation onto the vehicle, have the generator properly grounded (bonded) either by solid mounting to the vehicle frame or chassis, or by means of an approved bonding conductor. **DO NOT** disconnect the bonding conductor, if so equipped. **DO NOT** reconnect the bonding conductor to any generator part that might be removed or disassembled during routine maintenance. If the grounding conductor must be replaced, use only a flexible conductor that is of No. 8 American Wire Gauge (AWG) copper wire minimum.
- In case of accident caused by electric shock, immediately shut down the source of electrical power. If this is not possible, attempt to free the victim from the live conductor. **AVOID DIRECT CONTACT WITH THE VICTIM.** Use a nonconducting implement, such as a rope or board, to free the victim from the live conductor. If the victim is unconscious, apply first aid and get immediate medical help.
- Never wear jewelry when working on this equipment. Jewelry can conduct electricity resulting in electric shock, or may get caught in moving components causing injury.

FIRE HAZARDS

- For fire safety, the generator must be installed and maintained properly. Installation always must comply with applicable codes, standards, laws and regulations. Adhere strictly to local, state and national electrical and building codes. Comply with regulations the Occupational Safety and Health Administration (OSHA) has established. Also, ensure that the generator is installed in accordance with the manufacturer's instructions and recommendations. Following proper installation, do nothing that might alter a safe installation and render the unit in noncompliance with the aforementioned codes, standards, laws and regulations.
- Keep a fire extinguisher in the vehicle at all times. Extinguishers rated "ABC" by the National Fire Protection Association are appropriate for use on the recreational vehicle generator electrical system. Keep the extinguisher properly charged and be familiar with its use. If you have any question pertaining to fire extinguishers, consult your local fire department.

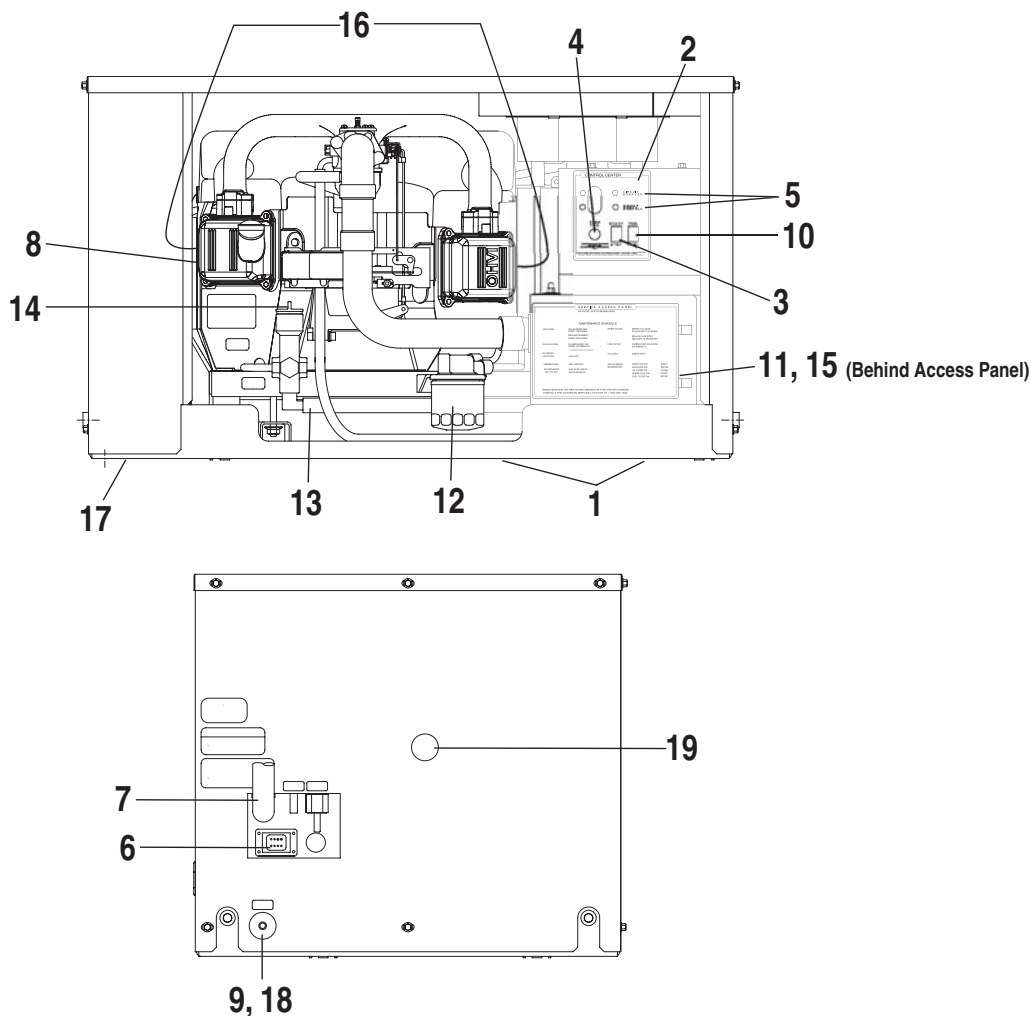
EXPLOSION HAZARDS

- Do not smoke around the generator. Wipe up any fuel or oil spills immediately. Ensure that no combustible materials are left in the generator compartment, or on or near the generator, as **FIRE** or **EXPLOSION** may result. Keep the area surrounding the generator clean and free from debris.
- Gasoline is extremely **FLAMMABLE** and its vapors are **EXPLOSIVE**. Do not permit smoking, open flame, sparks or any source of heat in the vicinity while handling gasoline. Comply with all laws governing the storage and handling of gasoline.
- This generator may use liquid propane (LP) gas as a fuel. LP gas is highly **EXPLOSIVE**. The gas is heavier than air and tends to settle in low areas where even the slightest spark can ignite the gas and cause an explosion.

1.1 GENERATOR IDENTIFICATION

Please record the following information from the generator DATA DECAL or information decal.

- | | |
|-----------------------|------------------------|
| 1. Model Number _____ | 2. Serial Number _____ |
| 3. kW Rating _____ | 4. Rated Voltage _____ |
| 5. Phase _____ | 6. Hertz _____ |



REFERENCE NUMBER IDENTIFICATION

- | | |
|-------------------------------------|---------------------------------------|
| 1. Generator Air Intake Screen | 11. Fuel Pump (Behind access panel.) |
| 2. Data Plate | 12. Oil Filter |
| 3. Engine Start/Stop Switch | 13. Oil Drain Plug |
| 4. 7.5 amp Fuse | 14. Oil Dipstick and Filler Tube |
| 5. Circuit Breaker | 15. Air Filter (Behind access panel.) |
| 6. Optional Remote Panel Receptacle | 16. Spark Plugs |
| 7. Generator AC Output Leads | 17. Exhaust Outlet |
| 8. Starter Contactor | 18. Fuel Filter |
| 9. Fuel Inlet | 19. LP Fuel Inlet |
| 10. Fuel Primer Switch | |

1.2 GENERATOR APPLICABILITY

These generators have been designed and manufactured for supplying electrical power for recreational vehicles. You should not modify the generator or use it for any application other than for what it was designed. If there are any questions pertaining to its application, write or call the factory. Do not use the unit until you have been advised by competent authority.



- ▲ For fire safety, the generator must have been properly installed in compliance with ANSI 119.2-1975/NFPA 501C-1974, "Standard for Recreational Vehicles, Part III – Installation of Electrical Systems." The generator also must have been installed in strict compliance with the manufacturer's detailed installation instructions. After installation, do nothing that might render the unit in noncompliance with such codes, standards and instructions.**

You can use your generator set to supply electrical power for operating one of the following electrical loads:

- QUIETPACT 55G & LP: 120 and/or 240 volts, single phase, 60 Hz electrical loads. These loads can require up to 5500 watts (5.5 kW) of total power, but cannot exceed 45.8 AC amperes of current at 120 volts or exceed 22.9 AC amperes at 240 volts.
- QUIETPACT 65G & LP: 120 and/or 240 volts, single phase, 60 Hz electrical loads. These loads can require up to 6500 watts (6.5 kW) of total power, but cannot exceed 54.1 AC amperes of current at 120 volts or exceed 27 AC amperes at 240 volts.
- QUIETPACT 75G & LP: 120 and/or 240 volts, single phase, 60 Hz electrical loads. These loads can require up to 7500 watts (7.5 kW) of total power, but cannot exceed 62.5 AC amperes of current at 120 volts or exceed 31.2 AC amperes at 240 volts.



- ▲ Do not overload the generator. Some installations may require that electrical loads be alternated to avoid overloading. Applying excessively high electrical loads may damage the generator and may shorten its life. Add up the rated watts of all electrical lighting, appliance, tool and motor loads the generator will power at one time. This total should not be greater than the wattage capacity of the generator. If an electrical device nameplate gives only volts and amps, multiply volts times amps to obtain watts (volts x amps = watts). Some electric motors require more watts of power (or amps of current) for starting than for continuous operation.**

1.3 INSTALLATION

This Owner's Manual has been prepared under the assumption that a competent, qualified technician installed the generator into a recreational vehicle. We also assume the installer complied with all applicable codes, standards and regulations pertaining to installation.

An INSTALLATION MANUAL was shipped with the generator. That Manual contains manufacturer's instructions and recommendations for installing the unit into an industrial vehicle. After installation, installers should forward the Installation Manual to Owners/Operators for their information.

Owners/Operators have the responsibility to make sure that nothing is done that might render the installation unsafe or in non-compliance with applicable codes, standards and instructions.

1.4 SAFETY

Before using the generator set, carefully read GENERAL SAFETY RULES inside the cover. Comply with these RULES to prevent accidents and damage to equipment and/or property. Generac suggests copying and posting the GENERAL SAFETY RULES to potential operators of this equipment.

1.5 GENERATOR AC CONNECTION SYSTEM

These air-cooled generator sets are equipped with dual stator AC power windings. These two stator windings supply electrical power to customer electrical loads by means of a dual 2-wire connection system.

Generators may be installed to provide the following outputs:

1. 120 VAC loads only — one load with a maximum total wattage requirement equal to the generator's rated power output (in watts), and 120V across the generator output terminals. Figure 1.1, page 6, shows the generator lead wire connections for 120VAC ONLY.
2. 120/240 VAC loads — one load with a maximum total wattage requirement equal to the generator's rated power output, and 240V across the generator output terminals; or two separate loads, each with a maximum total wattage requirement equal to half of the generator's rated power output (in watts), and 120V across the generator output terminals. Figure 1.2, page 6, shows the generator lead wire connections for 120/240 VAC loads. Also refer to section 2.1.4 Line Breakers for circuit breaker ratings.

This procedure should be done by a Generac Authorized Service Dealer or other qualified installer.

Section 1 – General Information

QUIETPACT 55, 65, and 75 Recreational Vehicle Generators

Figure 1.1 – Connection for 120 Volts Only

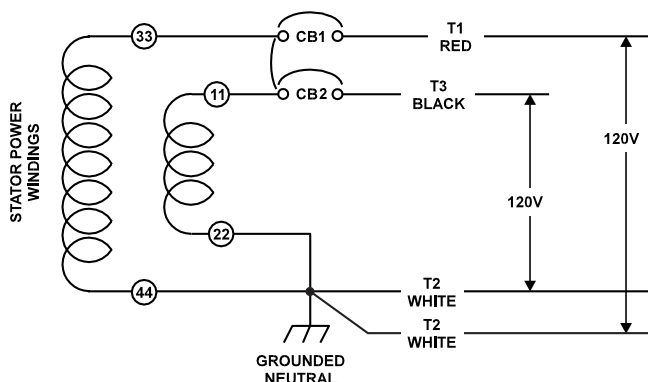
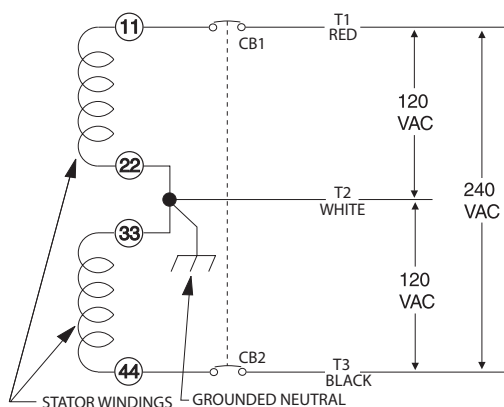


Figure 1.2 - Connection for 120/240 Volts



1.6 SPECIFICATIONS

◆ 1.6.1 FUEL REQUIREMENTS (GASOLINE)

This generator is equipped with a gasoline fuel system as standard equipment. Specific installations may provide either a separate fuel tank for the generator, or the generator may “share” the vehicle engine’s fuel tank.

◆ 1.6.1.1 Fuel Consumption (gph/lbs.ph)

Model	10% Load	50% Load	100% Load
QuietPact 55G	0.51	0.73	0.97
QuietPact 65G	0.51	0.76	1.07
QuietPact 75G	0.51	0.80	1.28

NOTE

Some installations using a “shared” fuel tank may have a generator fuel pickup tube that is shorter than the vehicle engine’s pickup tube. Such an arrangement causes the generator engine to “run out of gas” while adequate fuel for the vehicle remains in the tank.

To reduce lead and carbon deposits use high quality UNLEADED gasoline with the generator. Leaded REGULAR grade gasoline is an acceptable substitute.

NOTE:

Using unleaded gasoline contributes to longer engine valve life by reducing lead and carbon deposits.



Generac does not recommend using any gasoline containing alcohol (such as “gasohol”). If you use any gasoline containing alcohol, it must not contain more than 10 percent ethanol, and it must be removed from the generator during storage. Do NOT use any gasoline containing methanol. If you use gasoline with alcohol, inspect more frequently for fuel leaks and other abnormalities.

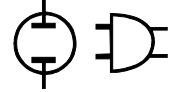
◆ 1.6.2 ENGINE OIL REQUIREMENTS

Use only high quality detergent oil classified “For Service SF” and with an oil viscosity rating of SAE 10W-30 oil. Do not pour in any additives to the recommended oil. Engine crankcase capacity is 1.8 liters or 1.9 quarts with oil filter change. See Section 3.2 on page 11 for oil level check and filing procedures.

◆ 1.6.3 GENERATOR SPECIFICATIONS

SERIES	QP55G	QP55LP	QP65G	QP65LP	QP75G	QP75LP
Rotor RPM	3600	3600	3600	3600	3600	3600
Rotor Poles	2	2	2	2	2	2
Engine RPM	2200	2200	2571	2571	2571	2571
Rated Max. Continuous AC Output Watts*	5500	5500	6500	6500	7500	7500
Voltage*	120	120	120	120	120	120
Rated Max. Continuous Current Amps (240V)	45.8 (22.9)	45.8 (22.9)	54.1 (27.0)	54.1 (27.0)	62.5 (31.2)	62.5 (31.2)
Phase	1	1	1	1	1	1
Frequency	60 Hertz	60 Hertz	60 Hertz	60 Hertz	60 Hertz	60 Hertz
Battery Charging Current (Max.)	2 amps	2 amps	2 amps	2 amps	2 amps	2 amps
Weight	326 lbs.	329 lbs.	328 lbs.	331 lbs.	330 lbs.	333 lbs.
Length	33.7 in.	33.7 in.	33.7 in.	33.7 in.	33.7 in.	33.7 in.
Width	22.2 in.	22.2 in.	22.2 in.	22.2 in.	22.2 in.	22.2 in.
Height	19.6 in.	19.6 in.	19.6 in.	19.6 in.	19.6 in.	19.6 in.

* All units are reconnectable to 120 and/or 240 volts, dual voltage output. Units are not listed per RVIA/ANSI when reconnected for dual voltage output



◆ 1.6.4 ENGINE SPECIFICATIONS

Type of Engine	QUIETPACT 55/65/75	GT-760
Cooling Method		Air-cooled
Rated Horsepower	QUIETPACT 55	.27 at 3600 rpm
	QUIETPACT 65	.27 at 3600 rpm
	QUIETPACT 75	.27 at 3600 rpm
Displacement	QUIETPACT 55/65/75	760cc
Compression Ratio		8.6 to 1
Cylinder Block		Aluminum w/Cast Iron Sleeve
Type of Governor		Mechanical, Fixed Speed
Engine Governor Speed	QUIETPACT 55	2200 rpm
	QUIETPACT 65/75	2571 rpm
Air Cleaner		Paper Element w/Foam Precleaner
Starter		12-volt DC Electric
Ignition System		Solid-state w/Flywheel Magneto
Recommended Spark Plug	Champion	RC12YC
	AC	R45S
	Fram Autolite	.65
Spark Plug Gap		0.030 inch (0.8 mm)
Recommended Min. Battery		400 Cold Cranking Amps

◆ 1.6.5 EMISSIONS COMPLIANCE PERIOD

For nonhandled engines the Emissions Compliance Period referred to on the Emissions Compliance Label indicates the number of operating hours for which the engine has been shown to meet Federal emission requirements.

- For engines less than 225 cc displacement, Category C=125 hours, B=250 hours, and A=500 hours.
- For engines of 225 cc or more, Category C=250 hours, B=500 hours, and A=1000 hours.

2.1 GENERATOR CONTROL PANEL

The following features are mounted on the generator control panel (Figure 2.1):

◆ 2.1.1 FUEL PRIMER

Before starting a cold engine (if it has not been started in more than two weeks), you must press this switch for approximately ten seconds to bring fuel from the tank to the fuel pump. This rocker type switch springs back into its original position when you release it.

◆ 2.1.2 START/STOP SWITCH

To crank and start the engine, hold this switch in the START position. Release the switch when the engine starts. To stop an operating engine, press and hold the switch in the STOP position until the engine shuts off. The switch center position is the RUN position.

◆ 2.1.3 7.5 AMP FUSE

The fuse protects the engine's DC control circuit against electrical overload. If the fuse element has melted open due to overloading, the engine cannot be cranked. If you must replace the fuse, use only an identical 7.5 amp replacement fuse.

◆ 2.1.4 LINE BREAKERS

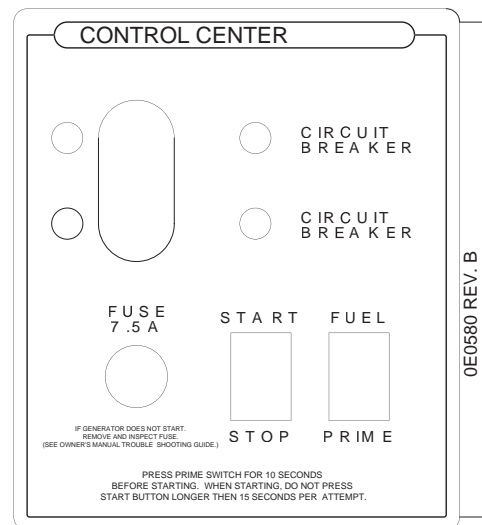
Protects generator's AC output circuit against overload, i.e., prevents unit from exceeding wattage/amperage capacity. The circuit breaker ratings are as follows:

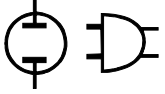
Model	Circuit Breaker 1	Circuit Breaker 2	240 Volt
QuietPact 55	30A	20A	25A 2P
QuietPact 65	30A	30A	30A 2P
QuietPact 75	35A	35A	35A 2P

NOTE:

If this generator has been reconnected for dual voltage AC output (120/240 volts), you can install line breakers having an amperage rating that is different than that stated above. The replacement line breakers consist of two separate breakers with a connecting piece between the breaker handles (so that both breakers will operate at the same time). If the unit is reconnected for dual voltage, it is no longer RVIA or CSA listed.

Figure 2.1 – Typical Control Panel

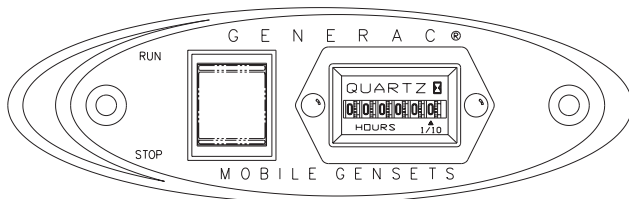




2.2 OPTIONAL REMOTE START/STOP PANEL

A remote mounted Start/Stop Panel (Figure 2.2) is available that allows you to start and stop the generator engine conveniently from inside the vehicle. The remote panel includes a Start/Stop switch, hourmeter, generator run lamp and a wire harness.

Figure 2.2 — Optional Remote Panel (Models 004057 and 004184)



2.3 AUTOMATIC CHOKE

This engine is equipped with an automatic choke that consists of two main components: a choke solenoid and prechoke.

2.3.1 CHOKE SOLENOID

During engine cranking (Start/Stop switch at START), a solid-state choke module signals the choke solenoid to activate and cycle (choke on/choke off) until the engine starts. The choke solenoid thus opens and closes the carburetor choke valve only when the engine is cranking. When the engine starts, the choke stops cycling.

2.3.2 PRECHOKE

The choke system also has a temperature-sensitive metal strip that adjusts choke valve angle according to ambient temperatures (i.e., in cold ambient temperatures, choke valve closes more). Once the engine starts, an element heats the temperature-sensitive strip to a normal operating condition, opening the choke valve. This may take about three minutes in cooler weather.

2.4 BEFORE STARTING THE ENGINE

NOTE:

Instructions and information in this manual assume the generator has been properly installed, connected, serviced, tested and adjusted by a qualified installation technician or installation contractor.

2.4.1 INSTALLATION

Generator installation must have been properly completed so it complies with all applicable codes, standards and regulations and with the manufacturer's recommendations.

2.4.2 ENGINE LUBRICATION

Have the engine crankcase properly serviced with the recommended oil before starting. Refer to Section 1.6.3 (Page 6) and Sections 3.1 and 3.2 (Page 11) for oil servicing procedures and recommendations.

CAUTION

Any attempt to crank or start the engine before you have properly serviced it with the recommended oil may result in an engine failure.

2.4.3 FUEL SUPPLY

The engine must have an adequate supply of proper fuel to operate. Before starting it, check that sufficient fuel is available.

NOTE:

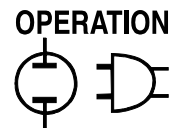
Depending on the installation, the generator may have either a separate fuel tank, or it may "share" the vehicle engine's fuel tank.

2.4.4 COOLING AND VENTILATING AIR

Air inlet and outlet openings in the generator compartment must be open and unobstructed for continued proper operation. Without sufficient cooling and ventilating airflow, the engine/generator quickly overheats, which causes it to shut down and may damage the generator.

2.4.5 ENGINE EXHAUST GAS

Before starting the generator engine, you should be sure there is no way for exhaust gases to enter the vehicle interior and endanger people or animals. Close windows, doors and other openings in the vehicle that, if open, might permit exhaust gases to enter the vehicle.



—▲ **DANGER** ▲—

▲ The generator engine releases **DEADLY** carbon monoxide gas through its exhaust system. This dangerous gas, if breathed in sufficient concentrations, can cause unconsciousness or even death. Never operate the generator set with the vehicle inside any garage or other enclosed area. **DO NOT OPERATE THE GENERATOR IF THE EXHAUST SYSTEM IS LEAKING OR HAS BEEN DAMAGED. SYMPTOMS OF CARBON MONOXIDE POISONING ARE (a) inability to think coherently, (b) nausea, (c) vomiting, (d) twitching muscles, (e) throbbing temples, (f) dizziness, (g) headaches, (h) weakness, and (i) sleepiness. IF YOU EXPERIENCE ANY OF THESE SYMPTOMS, MOVE INTO FRESH AIR IMMEDIATELY. IF SYMPTOMS PERSIST, GET MEDICAL HELP.** Shut down the generator and do not operate it until it has been inspected and repaired.

—▲ **DANGER** ▲—

▲ Never sleep in the vehicle while the genset is running unless the vehicle has a working carbon monoxide detector. The exhaust system must be installed in accordance with the genset installation manual. Make sure there is ample fresh air when operating the genset in a confined area.

2.5 STARTING THE GENERATOR

NOTE:

Read the vehicle manufacturer's instructions. The owner/operator should become familiar with the vehicle in which this generator is installed. Differences exist between vehicles. For example, some vehicles may use a transfer switch to isolate dockside power from the generator, while other vehicles may use an isolating receptacle. Some vehicles may be equipped with a DC converter which allows the generator to power certain DC lighting and other DC loads.

To crank and start the generator engine, proceed as follows:

1. Turn OFF electrical loads using the means provided in your vehicle (such as a main line circuit breaker or transfer switch).

NOTE:

If starting from the generator control panel, turn OFF loads by setting the generator's main circuit breaker to the OFF (or open) position. If starting from a remote panel, turn OFF loads using the means provided in the vehicle (such as a main circuit breaker). Electrical load circuits will be turned ON after the generator has started, stabilized and warmed up.

2. If you have not started the engine in more than two weeks, press the Fuel Pump Primer switch and hold it for about 10 seconds. However, if the engine is warm, skip Step 2.
3. To crank and start the engine, hold the start/stop switch at START. Release the switch when the engine starts.

—▲ **CAUTION** ▲—

- ▲ **If the engine does not start after it has been cranking for 15 seconds, release the Start/Stop switch and wait 1 minute before trying again. Holding the switch for longer than 15 seconds can damage the starter motor.**
4. Let the engine run at no-load for a few minutes to stabilize and warm up.
 5. Turn ON electrical loads using the means provided (such as a main circuit breaker or transfer switch).

2.6 STOPPING THE GENERATOR

1. Turn OFF all electrical loads using the means provided (such as a main circuit breaker or transfer switch).
2. Let generator run at no-load for a few minutes, to stabilize internal engine generator temperatures.
3. Place the Start/Stop switch in its STOP position. The engine will come to a complete stop.

2.7 APPLYING LOADS TO GENERATOR

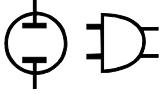
When applying electrical loads to the generator, observe these guidelines:

- Before applying electrical loads, let the generator stabilize and warm up for a minute or two.
- DO NOT overload the generator.

◆ 2.7.1 LETTING THE ENGINE STABILIZE

The generator supplies correct rated voltage only at the proper governed speed. Some electrical appliances may be extremely sensitive to voltage. Incorrect voltages can damage such appliances.

If electrical loads are applied at reduced operating speeds, such loads imposed on the engine when sufficient power is not available may shorten engine life. Never turn ON electrical loads until after the generator engine has started and stabilized at no-load.



◆ 2.7.2 DO NOT OVERLOAD THE GENERATOR

You can read the rated wattage/ampere capacity of your generator on the generator data decal (see Section 1.1 on Page 4).

Applying electrical loads in excess of the unit’s rated capacity will cause the engine/generator to automatically shut down.

To avoid overloading, add up the wattage of all connected electrical lighting, appliance, tool and motor loads. This total should not be greater than the generator’s rated wattage capacity.

- Most lighting, appliance, tool and motor loads indicate their required watts on their nameplate or data plate. For light bulbs, simply note the wattage rating of the bulb.
- If a load does not show its rated wattage, multiply that load’s rated VOLTS times AMPS to obtain WATTS.
- Induction type motors (such as those that run the vehicle’s furnace fan, refrigerator, air conditioner, etc.) need about 2-1/2 times more watts of power for starting than for running (for a few seconds during motor starting). Be sure to allow for this when connecting electrical loads to the generator. First, figure the watts needed to start electric motors in the system. To that figure, add the running wattages of other items that will be operated by the generator.
- Do not apply heavy electrical loads for the first two or three hours of operation.

2.8 PROTECTION SYSTEMS

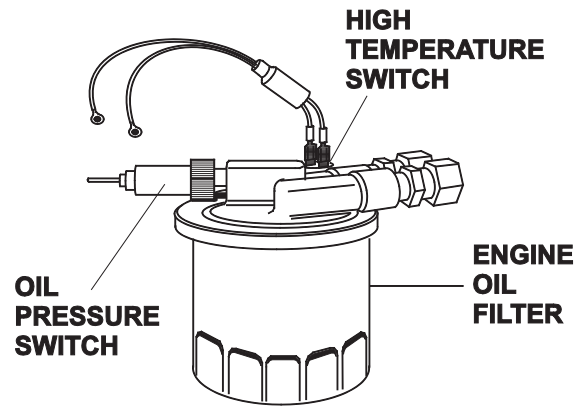
◆ 2.8.1 LOW OIL PRESSURE SWITCH

This switch (Figure 2.3) has normally closed (N.C.) contacts that are held open by engine oil pressure during cranking and operating. Should oil pressure drop below a preset level, switch contacts close, and the engine automatically shuts down. The unit should not be restarted until oil is added.

◆ 2.8.2 HIGH TEMPERATURE SWITCH

This switch (Figure 2.3), which has normally open (N.O.) contacts, is mounted near the oil filter. The contacts close if the temperature should exceed approximately 270° F (132° C) for gasoline models, and 284° F (140° C) for LP models, initiating an engine shutdown.

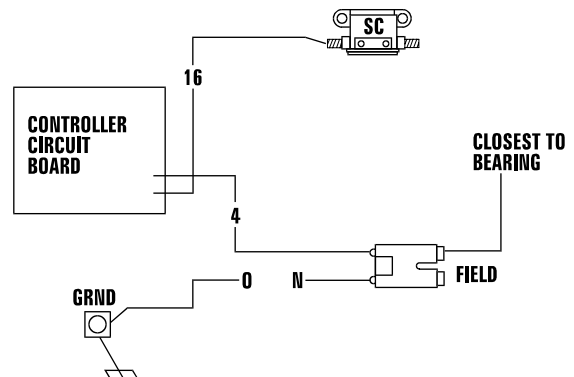
Figure 2.3 – Low Oil Pressure and High Temperature Switches

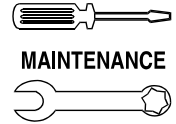


◆ 2.8.3 FIELD BOOST

The Controller Circuit Board houses a field boost diode and resistor that are not part of the automatic choke circuit. These two components are part of a “field boost” circuit (Figure 2.4). During engine cranking only, a positive DC (battery) voltage is delivered through a diode, resistor, brushes, slip rings, and the generator rotor. Application of this voltage to the rotor “flashes the field” whenever it is started. Flashing of the field each time the generator starts makes sure that a sufficiently strong magnetic field is available to produce “pickup” voltage in the stator windings.

Figure 2.4 – Field Boost Circuit



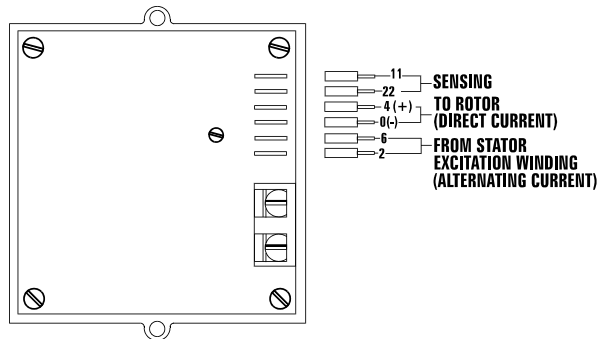


MAINTENANCE

◆ 2.8.4 OVERVOLTAGE PROTECTION

A solid-state voltage regulator (Figure 2.5) controls the generator's AC output voltage. This regulator supplies an excitation current to the rotor. By regulating the rotor's excitation current, the strength of its magnetic field is regulated and, in turn, the voltage delivered to connected electrical loads is controlled. When the AC frequency is 60 Hertz, voltage is regulated at 115 volts.

Figure 2.5 – Solid State Voltage Regulator



The voltage regulator also incorporates a “voltage surge protection circuit.” This circuit prevents troublesome surges in the generator AC output voltage. Voltage surge is a common cause of damage to electronic equipment.

◆ 2.8.5 25-HOUR BREAK-IN PERIOD

The first 25 hours of operation is the break-in period for the generator. Properly breaking in the generator is essential to minimize fuel consumption and provide maximum engine performance. During this 25-hour break-in period, follow this procedure:

- Run the unit at varying electrical loads to help seat the engine piston rings properly.
- Check the engine oil level frequently. Add oil if needed. It is normal for the generator engine to consume more oil than is normal until the piston rings have properly seated.
- For the 75-hour operation following the break-in period, avoid light electrical loads. Load the generator at 50 percent (or more) of its rated wattage capacity. Repeated light loads during these 75 hours can cause improper seating of engine piston rings, resulting in blowby and high oil consumption.
- After operating the unit for 25 hours, complete the tasks recommended under Section 2.8.6.

◆ 2.8.6 25-HOUR CHECK-UP

After the 25-hour break-in period, contact a Generac Authorized Service Dealer for the following maintenance. **(The vehicle owner is responsible for any charges relating to normal unit maintenance.)**

- Change the engine crankcase oil and oil filter.
- Check all fluid levels.
- Inspect the cooling and ventilation openings.
- Check the engine ignition system.
- Inspect the entire electrical system.
- Inspect the engine exhaust system.

◆ 2.8.7 OPERATION IN HIGH GRASS OR BRUSH

⚠ WARNING ⚠



Never operate the generator while the vehicle is parked over high grass, weeds, brush, leaves or any other combustible substance. Such materials can ignite and burn from the heat of the exhaust system. The generator exhaust system becomes extremely hot during operation and remains hot for a long time after it has shut down.

3.1 CHECKING THE ENGINE OIL LEVEL

For oil capacities and requirements, see “Engine Oil Requirements,” Section 1.6.2 (Page 6). Check the engine crankcase oil level at least every eight hours of operation, or before you use it. To check the engine oil level, proceed as follows (see Figure 3.1):

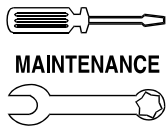
1. Be sure the generator is as level as possible.
2. Remove the dipstick and wipe it dry with a clean, lint-free cloth.
3. Install and tighten the dipstick cap; then, remove it again. The oil level should be at the dipstick “Full” mark.
4. If necessary, remove the oil fill cap on the rocker cover and slowly add oil until it reaches the dipstick “Full” mark. **DO NOT FILL ABOVE THE “FULL” MARK.**

⚠ CAUTION ⚠



Never operate the engine with the oil level below the “Add” mark on the dipstick. Doing this could damage the engine.

5. Install and tighten the oil fill cap and the dipstick before operating the engine.



MAINTENANCE

Section 3 – Maintenance

QUIETPACT 55, 65, and 75 Recreational Vehicle Generators

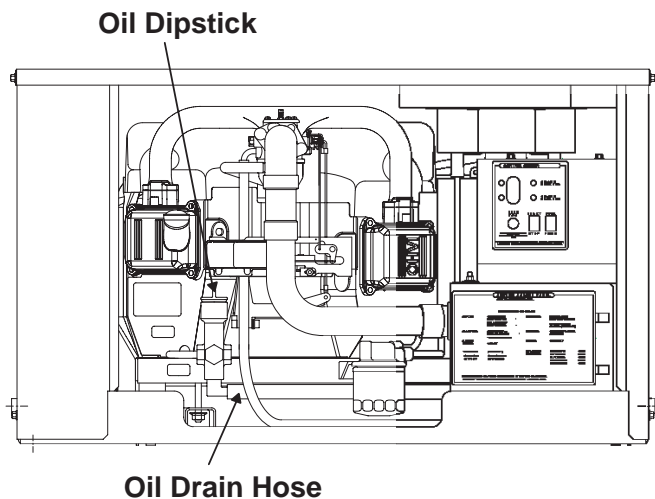
3.2 CHANGING THE ENGINE OIL AND/OR OIL FILTER

- Change the **engine oil** after the first 25 hours of operation (after the 25-hour break-in period, see Section 2.8.5, Page 10). Thereafter, change the oil every 100 operating hours. Change the oil more frequently if operating consistently under heavy load or at high ambient temperatures.
- Change the **engine oil filter** after the first 25 hours of operation, and every 100 operating hours thereafter.

To change the oil and/or oil filter, proceed as follows:

1. Run the engine until it is thoroughly warmed up (at least five minutes) then shut OFF the engine.
2. With the engine still warm from running, remove the oil drain plug (Figure 3.1). Drain the oil into a suitable container.

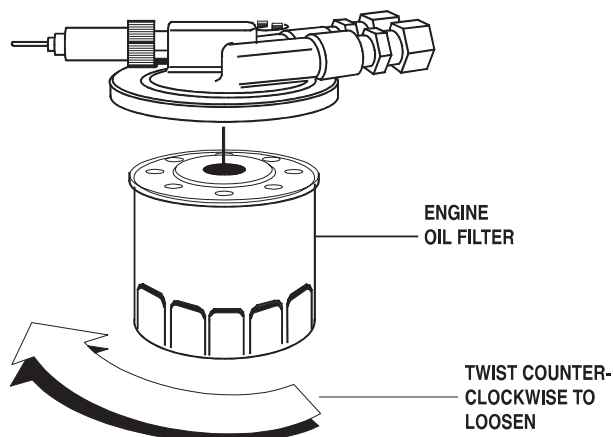
Figure 3.1 — Oil Dipstick/Fill Tube and Location of Oil Drain Plug



3. After the oil has drained, replace the oil drain plug. (If only changing the oil, go to step 7.)
4. With the oil drained, remove the old oil filter by turning it counterclockwise (Figure 3.2).
5. Apply a light coating of clean engine oil to the gasket of the new filter.
6. Screw the new filter on by hand until its gasket lightly contacts the oil filter adapter. Then, tighten the filter an additional 3/4 to one turn.
7. Remove the dipstick and fill crankcase with the proper type and amount of recommended oil (see Section 1.6.2, Page 6). The engine crankcase can hold about 1.8 liters or 1.9 quarts with oil filter change. **DO NOT FILL ABOVE THE "FULL" MARK.**
8. Install and tighten the dipstick before operating the engine.

9. Start the engine and check for leaks.

Figure 3.2 — Engine Oil Filter



NOTE:

Check the oil level and fill to the "FULL" mark after checking for leaks. The filter will retain some oil.

3.3 MAINTAINING THE ENGINE AIR CLEANER

◆ 3.3.1 CLEANING THE FOAM PRECLEANER

Clean and re-oil the foam precleaner every three months or every 25 hours of operation, whichever occurs first. Service the foam precleaner more frequently if operating the generator in extremely dusty or dirty conditions. Use the following procedure (Figure 3.3):

1. Turn the knob counterclockwise to loosen.
2. Remove the cover, foam precleaner and paper filter.
3. Remove the foam precleaner from the cover.
4. Wash the foam precleaner in liquid detergent and water.
5. Wrap the foam precleaner in a clean cloth and gently squeeze it dry.
6. Saturate the foam precleaner in clean engine oil. Gently squeeze it in a clean cloth to remove excess oil and to distribute oil (DO NOT TWIST).
7. Install the foam precleaner into the cover, followed by the paper filter. Tabs at edges of paper filter must lock into slots on cover.
8. Install the cover, foam precleaner and paper filter.
9. Replace knob to retain the filter in place.

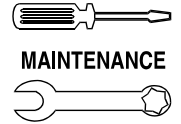


Figure 3.3 – Engine Air Cleaner

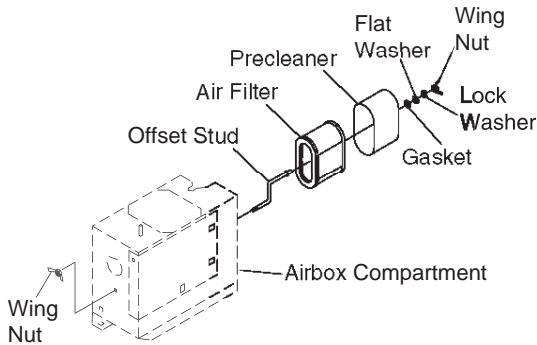
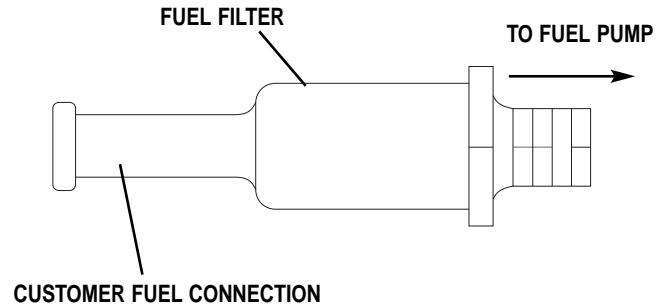


Figure 3.5 – Fuel Filter

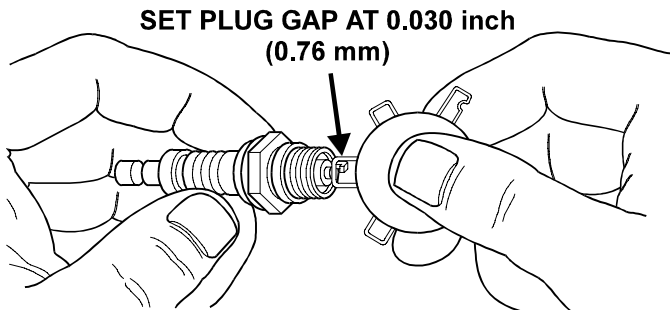


3.4 CHECKING THE ENGINE SPARK PLUG

Clean the spark plug and reset the spark plug gap every 100 hours of operation.

1. Clean the area around the base of the spark plug to keep dirt and debris out of the engine. Clean by scraping or washing using a wire brush and commercial solvent. Do not blast the spark plug to clean.
2. Remove the spark plug and check the condition. Replace the spark plug if worn or if reuse is questionable.
3. Check the spark plug gap using a wire feeler gauge. Adjust the gap to 0.030 inch (0.76 mm) by carefully bending the ground electrode (Figure 3.4).

Figure 3.4 – Setting the Spark Plug Gap



CAUTION

⚠ Sparking can occur if the wire terminal does not fit firmly on the spark plug terminal end. If necessary, re-form the wire terminal to obtain a tight fit.

3.5 FUEL FILTER (GASOLINE ONLY)

Remove and replace the fuel filter (Figure 3.5) once each year or every 400 hours of operation, whichever comes first.

3.6 CLEAN SPARK ARRESTOR

The engine exhaust muffler has a spark arrestor screen. Inspect and clean the screen every 50 hours of operation or once each year, whichever comes first.

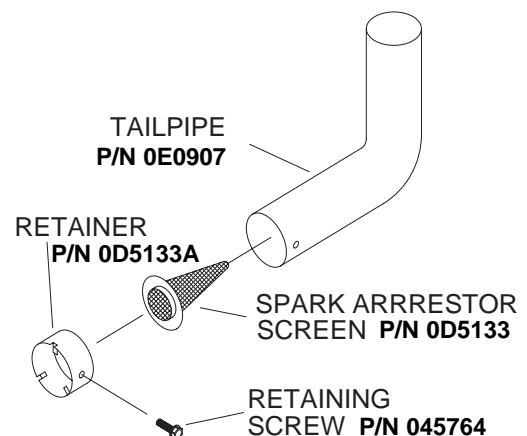
NOTE:

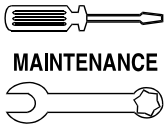
If you use your generator on any forest-covered, brush-covered or grass-covered unimproved land, it must be equipped with a spark arrestor. The spark arrestor must be maintained in good condition by the owner/operator.

Clean and inspect the spark arrestor as follows:

- Remove the screen retaining bracket by removing the screw.
- Slide the spark arrestor screen out from the tail pipe.
- Inspect screen and replace if torn, perforated or otherwise damaged. **DO NOT USE** a defective screen. If screen is not damaged, clean it with commercial solvent.
- Replace the screen and the retaining bracket.

Figure 3.6 - Spark Arrestor





MAINTENANCE

Section 3 – Maintenance

QUIETPACT 55, 65, and 75 Recreational Vehicle Generators

3.7 CLEANING THE GENERATOR

Keep the generator set as clean and dry as possible. Protect the unit against excessive dust, dirt, corrosive vapors, road splash, etc. Permitting dirt and moisture to accumulate on generator windings will have an adverse effect on the insulation resistance of those windings.

When moisture is allowed to remain in contact with windings, some of the moisture will be retained in voids and cracks in the insulation. This causes a reduced insulation resistance and will eventually cause problems. Dirt will make the problem worse, since dirt tends to hold moisture in contact with windings. Salt (as from sea air) also will worsen the problem since it tends to absorb moisture from the air. Salt and moisture, when combined, form a good electrical conductor.



CAUTION

- ⚠ Do NOT use a forceful spray of water to clean the generator. Water will enter the generator interior and cause problems, and may also contaminate the generator fuel system.

3.8 BATTERY MAINTENANCE

All lead-acid batteries will discharge when not in use. The generator battery should be inspected as follows:

◆ 3.8.1 WEEKLY

- Inspect the battery posts and cables for tightness and corrosion. Tighten and clean as necessary.
- Check the battery fluid level of unsealed batteries and, if necessary, fill with Distilled Water Only. Do not use tap water in batteries.

◆ 3.8.2 EVERY SIX MONTHS

- Have the state of charge and condition checked. This should be done with an automotive-type battery hydrometer.

NOTE:

Servicing of the battery is to be performed or supervised by personnel knowledgeable of batteries and the required precautions. Keep unauthorized personnel away from batteries.

Damage will result if the battery connections are made in reverse.



DANGER

- ⚠ Do not dispose of the battery in a fire. The battery is capable of exploding. Storage batteries give off explosive hydrogen gas. This gas can form an explosive mixture around the battery for several hours after charging. The slightest spark can ignite the gas and cause an explosion. Such an explosion can shatter the battery and cause blindness or other injury. Any area that houses a storage battery must be properly ventilated. Do not allow smoking, open flame, sparks, or any spark producing tools or equipment near the battery. Discharge static electricity from your body before touching the battery by first touching a grounded metal surface.

- ⚠ A battery presents a risk of electrical shock and high short circuit current. The following precautions are to be observed when working on batteries:

- Remove watches, rings or other metal objects;
- Use tools with insulated handles;
- Wear rubber gloves and boots;
- Do not lay tools or metal parts on top of the battery;
- Disconnect any charging source prior to connecting or disconnecting battery terminals; and
- Do not use any jumper cables or booster battery to crank and start the generator engine. If any battery has discharged, remove it for recharging.

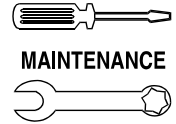


WARNING

- ⚠ Do not open or mutilate the battery. Released electrolyte has been known to be harmful to the skin and eyes, and to be toxic.

- ⚠ The electrolyte is a dilute sulfuric acid that is harmful to the skin and eyes. It is electrically conductive and corrosive. The following procedures are to be observed:

- Wear full eye protection and protective clothing;
- Where electrolyte contacts the skin, wash it off immediately with water;
- Where electrolyte contacts the eyes, flush thoroughly and immediately with water and seek medical attention; and
- Spilled electrolyte is to be washed down with an acid neutralizing agent. A common practice is to use a solution of 1 pound (500 grams) bicarbonate of soda to 1 gallon (4 liters) or water. The bicarbonate of soda solution is to be added until the evidence of reaction (foaming) has ceased. The resulting liquid is to be flushed with water and the area dried.



3.9 MAJOR SERVICE MANUAL

To obtain a service manual for your generator, contact your nearest Generac Authorized Service Dealer. Make sure to identify your MODEL NUMBER and SERIES. Manuals can be obtained from the internet website (www.generac.com) or a service dealer.

3.10 DRIVE BELT

The engine drives the generator rotor by means of a pulley and drive belt arrangement. Drive belt tension was properly adjusted before the unit was shipped from the factory. If you suspect that drive belt tension is incorrect, contact a Generac Authorized Service Dealer.

3.11 EXERCISING THE GENERATOR

Generac recommends that you start and operate the generator at least once every seven days. Let the unit run for at least 30 minutes to “exercise” the engine.

3.12 OUT OF SERVICE PROCEDURE

◆ 3.12.1 REMOVAL FROM SERVICE

If you cannot exercise the generator every seven days, and it is to be out of service longer than 30 days, prepare the generator for storage as follows:

1. Start the engine and let it warm up.
2. Close the fuel shutoff valve in the fuel supply line and allow the unit to shut down.
3. While the engine is still warm from running, drain the oil completely. Refill the crankcase with SAE 5W-30 oil having API classification “For Service SF.”
4. Attach a tag to the engine indicating the viscosity and classification of the oil in the crankcase.
5. Remove the spark plug and pour two or three tablespoons of clean, fresh engine oil into the spark plug threaded openings. Reinstall and tighten the spark plug.
6. Remove the battery and store it in a cool, dry room on a wooden board. Never store the battery on any concrete or earthen floor.
7. Clean and wipe the entire generator.

◆ 3.12.2 RETURN TO SERVICE

To return the unit to service after storage, proceed as follows:

1. Check the tag on the engine for oil viscosity and classification. Verify that the correct recommended oil is used in the engine (see Section 1.5.4, Page 6). If necessary, drain and refill with the proper oil.
2. Check the state of the battery. Fill all cells of unsealed batteries to the proper level with distilled water. **DO NOT USE TAP WATER IN THE BATTERY.** Recharge the battery to 100 percent state of charge, or, if defective, replace the battery.
3. Clean and wipe the entire generator.
4. Reconnect the battery. Observe battery polarity. Damage may occur if the battery is connected incorrectly.
5. Turn OFF all electrical loads. Add fuel if necessary and then start the engine.
6. Allow the unit to warm up thoroughly.
7. Apply electrical loads to at least 50 percent of the unit’s rated wattage capacity.
8. When the engine is thoroughly warmed up, shut it down.
9. Your generator is now ready for service.

3.13 RV GENERATOR SERVICE INTERVAL

QUIETPACT 55/65/75:

50 Hours	Clean Spark Arrestor
1st 50 Hours,	
then every 500 Hours	Adjust Valve Lash
100 Hours	Change Engine Oil/Filter
100 Hours	Clean Air Pre-filter
100 Hours	Inspect Spark Plugs
250 Hours	Replace Paper Air Filter Element
400 Hours	Replace Fuel Filter
500 Hours	Replace Spark Plugs

PART II – INSTALLATION INSTRUCTIONS

—▲ **DANGER** ▲—

**ONLY QUALIFIED ELECTRICIANS OR CONTRACTORS
SHOULD ATTEMPT INSTALLATION!!**



⚠ DANGER: For fire safety, installation of a generator into a recreational vehicle must comply strictly with article 551, NFPA 70; ANSI C1-1975; AND, ANSI A119.2-1975/NFPA 501C “Standard for Recreational Vehicles” (Part 3, “Installation of Electrical Systems”). In addition, installation must comply with the manufacturer’s instructions and recommendations.

NOTICE TO INSTALLER

These *Installation Instructions* have been published by Generac to aid in the installation of the products described in this manual. Generac assumes that installation personnel are familiar with the procedures for installing such products, or similar products that Generac manufactures. Generac also assumes that personnel have been trained in the recommended installation procedures for these products and that such training includes (a) use of common hand tools, (b) use of special Generac tools, and (c) use of any tools and/or equipment from other suppliers.

Generac cannot possibly know of and advise the recreational vehicle trade of all conceivable methods, procedures or techniques by which to perform an installation. Nor can Generac anticipate every possible hazard that might result from each installation method, procedure or technique. Generac has not undertaken any such wide evaluation. Therefore, people who use a method, procedure or technique that Generac does not specifically recommend must first completely satisfy themselves that their safety, the safety of the vehicle's occupants and the product's safety is not endangered by the method, procedure or technique selected.

Information, illustrations, specifications, etc., contained in these *Installation Instructions* are based on the latest information available at the time of publication. Every effort has been expended to be sure that such data is both accurate and current. However, the manufacturer reserves the right to change, alter or otherwise improve this product at any time without prior notice.



⚠ Despite the safe design of this generator, operating this equipment imprudently, neglecting its maintenance or being careless can cause possible injury or death. Permit only responsible and capable persons to operate or maintain this equipment.

⚠ Potentially lethal voltages are generated by these machines. Ensure all steps are taken to render the machine safe before attempting to work on the generator.

⚠ Parts of the generator are rotating and/or hot during operation. Exercise care near running generators.

⚠ GENERAL HAZARDS ⚠

- For safety reasons, Generac recommends that the installation, initial start-up and maintenance of this equipment is carried out by a Generac Authorized Service Dealer.
- The generator engine releases DEADLY carbon monoxide gas through its exhaust system. This dangerous gas, if breathed in sufficient concentrations, can cause unconsciousness or even death. Never operate the generator set with the vehicle inside any garage or other enclosed area. DO NOT OPERATE THE GENERATOR IF THE EXHAUST SYSTEM IS LEAKING OR HAS BEEN DAMAGED. SYMPTOMS OF CARBON MONOXIDE POISONING ARE (a) inability to think coherently, (b) nausea, (c) vomiting, (d) twitching muscles, (e) throbbing temples, (f) dizziness, (g) headaches, (h) weakness, and (i) sleepiness. IF YOU EXPERIENCE ANY OF THESE SYMPTOMS, MOVE INTO FRESH AIR IMMEDIATELY. IF SYMPTOMS PERSIST, GET MEDICAL HELP. Shut down the generator and do not operate it until it has been inspected and repaired.
- Never sleep in the vehicle while the genset is running unless the vehicle has a working carbon monoxide detector. The exhaust system must be installed in accordance with the genset installation manual. Make sure there is ample fresh air when operating the genset in a confined area.
- Keep hands, feet, clothing, etc., away from drive belts, fans, and other moving or hot parts. Never remove any drive belt or fan guard while the unit is operating.
- Adequate, unobstructed flow of cooling and ventilating air is critical to correct generator operation and is required to expel toxic fumes and fuel vapors from the generator compartment. Without sufficient cooling airflow, the engine/generator quickly overheats, which causes serious damage to the generator. Do not alter the installation or permit even partial blockage of ventilation provisions, as this can seriously affect safe operation of the generator.
- When working on this equipment, remain alert at all times. Never work on the equipment when you are physically or mentally fatigued.
- Before performing any maintenance on the generator, disconnect its battery cables to prevent accidental start up. Disconnect the cable from the battery post indicated by a NEGATIVE, NEG or (-) first. Reconnect that cable last.



QUIETPACT 55, 65, and 75 Recreational Vehicle Generators

- Never use the generator or any of its parts as a step. Stepping on the unit can stress and break parts, and may result in dangerous operating conditions from leaking exhaust gases, fuel leakage, oil leakage, etc.
- Never insert any tool or other object through openings in the generator interior, even if the unit is not running. You might seriously injure yourself or damage the equipment.

ELECTRICAL HAZARDS

- The generator covered by this manual produces dangerous electrical voltages and can cause fatal electrical shock. Avoid contact with bare wires, terminals, connections, etc., while the unit is running. Ensure all appropriate covers, guards and barriers are in place before operating the generator. If you must work around an operating unit, stand on an insulated, dry surface to reduce shock hazard.
- Do not handle any kind of electrical device while standing in water, while barefoot, or while hands or feet are wet. **DANGEROUS ELECTRICAL SHOCK MAY RESULT.**
- During installation onto the vehicle, properly ground (bond) the generator either by solid mounting to the vehicle frame or chassis, or by means of an approved bonding conductor. **DO NOT** connect the bonding conductor to any generator part that might be removed or disassembled during routine maintenance. If the grounding conductor must be replaced, use only a flexible conductor that is of No. 8 American Wire Gauge (AWG) copper wire minimum.
- If the vehicle electrical circuits can be powered by any other source of electricity (such as a “dockside” power receptacle), there must be no possibility of connecting the different power sources to the vehicle circuits at the same time. The dockside (utility) power source must be positively isolated from the vehicle circuits whenever the generator is operating. Failure to isolate the vehicle circuits from the dockside power supply when the generator is running may result in damage to the generator or serious injury or death to dockside (utility) power workers due to backfeed of electrical energy.
- In case of accident caused by electric shock, immediately shut down the source of electrical power. If this is not possible, attempt to free the victim from the live conductor. **AVOID DIRECT CONTACT WITH THE VICTIM.** Use a nonconducting implement, such as a rope or board, to free the victim from the live conductor. If the victim is unconscious, apply first aid and get immediate medical help.
- Never wear jewelry when working on this equipment. Jewelry can conduct electricity resulting in electric shock, or may get caught in moving components causing injury.

FIRE HAZARDS

- For fire safety, the generator must be installed and maintained properly. Installation always must comply with applicable codes, standards, laws and regulations. Adhere strictly to local, state and national electrical and building codes. Comply with regulations the Occupational Safety and Health Administration (OSHA) has established. Also, ensure that the generator is installed in accordance with the manufacturer’s instructions and recommendations. Following proper installation, do nothing that might alter a safe installation and render the unit in noncompliance with the aforementioned codes, standards, laws and regulations.
- Keep a fire extinguisher in the vehicle at all times. Extinguishers rated “ABC” by the National Fire Protection Association are appropriate for use on the recreational vehicle generator electrical system. Keep the extinguisher properly charged and be familiar with its use. If you have any question pertaining to fire extinguishers, consult your local fire department.

EXPLOSION HAZARDS

- Do not smoke around the generator. Wipe up any fuel or oil spills immediately. Ensure that no combustible materials are left in the generator compartment, or on or near the generator, as **FIRE** or **EXPLOSION** may result. Keep the area surrounding the generator clean and free from debris.
- Gasoline is extremely **FLAMMABLE** and its vapors are **EXPLOSIVE**. Do not permit smoking, open flame, sparks or any source of heat in the vicinity while handling gasoline. Comply with all laws governing the storage and handling of gasoline.
- Fuel lines must be properly installed and fastened, and free of leaks. There must be no possibility of gasoline vapors entering the vehicle interior.
- You are required to install an approved, flexible, nonconductive fuel line between the generator fuel connection point and rigid fuel lines.
- If the generator is equipped with a liquid propane (LP) gas fuel system, install the unit so it complies with all codes, standards and regulations pertaining to such systems. LP gas is highly explosive. The gas tends to settle in low areas where even the slightest spark can ignite it and cause an explosion. Do not allow gas vapors to enter the vehicle.

5.1 PURPOSE AND SCOPE OF THE INSTALLATION INSTRUCTIONS

These *Installation Instructions* have been prepared especially for the purpose of familiarizing installers and owners of the applicable equipment with the product's installation requirements. Give serious consideration to all information and instructions in the manual, both for safety and for continued reliable operation of the equipment.

Because of the different recreational vehicle models and the variations between the models, it would be extremely difficult, if not impractical, to provide detailed instructions for every possible installation. For that reason, instructions and illustrations in this manual are general in nature. Illustrations are not intended to serve as detailed installation blueprints.

The installation should comply strictly with all applicable codes, standards and regulations pertaining to the installation and use of this product. If any portion of this manual appears to be in conflict with such codes, standards or regulations, the applicable codes, standards or regulations must take precedence over the manual.

5.2 SAFETY

Before handling, installing, operating or servicing this equipment, carefully read the "Notice to Installer" and "Safety Rules" on Pages 18 and 19. Comply with all safety rules to prevent death, personal injury or damage to equipment and/or property. Stress safety to all installers, operators and service technicians who work on this equipment.

5.3 STANDARDS BOOKLETS

Installation, use and servicing of this equipment should comply strictly with published standards, as well as the manufacturer's recommendations. The following standards booklets (latest revision) are available from the sources indicated:

1. NFPA Standard 501C, "Standard for Recreational Vehicles," available from the National Fire Protection Association, Batterymarch Park, Quincy, MA 02269.
2. NFPA 70, "NFPA Handbook of the National Electric Code," available same as Item 1.
3. ANSI C1-1975 and ANSI 119.2-1975, available from the American National Standards Institute, 1430 Broadway, New York, NY 10018.
4. ANSI A119.2/NFPA 501C, available from the Recreational Vehicle Association, 1896 Preston White Drive, Reston, VA 22090.
5. California Administrative Code, Title 25, available from the State of California, Documents Section, P.O. Box 1015, North Highlands, CA 95660.

6. CSA Electrical Bulletin 946, available from the Canadian Standards Association, Housing and Constructions Materials Section, 178 Rexdale Boulevard, Rexdale, Ontario, Canada, M9W 1R3.

5.4 EQUIPMENT DESCRIPTION

Instructions and information in this section pertain to Generac air-cooled generators. These generators are designed specifically for installing in recreational vehicles. They operate 120-volt, single-phase, 60-Hertz, AC electrical loads.

5.5 GENERATOR ENGINE OPERATING SPEED

The generator's revolving field (rotor) is driven by a single-cylinder, four-cycle engine through a pulley and drive belt arrangement. The generator supplies 120 volts AC at 60 Hertz when the rotor is operating at 3,600 rpm. The drive belt arrangement allows the engine to operate at a lower speed than the rotor.

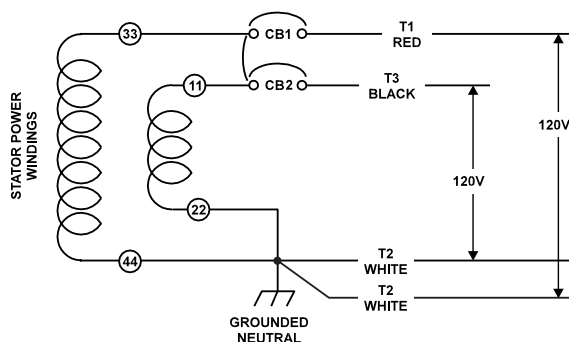
5.6 GENERATOR AC CONNECTION SYSTEM

These air-cooled generator sets are equipped with dual stator AC power windings. These two stator windings supply electrical power to customer electrical loads by means of a dual 2-wire connection system.

Generators may be installed to provide the following outputs:

- 1) 120 VAC loads only — one load with a maximum total wattage requirement equal to the generator's rated power output (in watts), and 120V across the generator output terminals. (See Fig. 5.1 below)
- 2) 120/240 VAC loads — one load with a maximum total wattage requirement equal to the generator's rated power output, and 240 V across the generator output terminals; or two separate loads, each with a maximum total wattage requirement equal to half of the generator's rated power output (in watts), and 120 V across the generator output terminals. (See Fig. 5.3 on page 22)

Figure 5.1 – Connection for 120 Volts Only



Section 5 – General Information
QUIETPACT 55, 65, and 75 Recreational Vehicle Generators

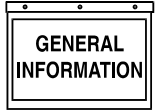
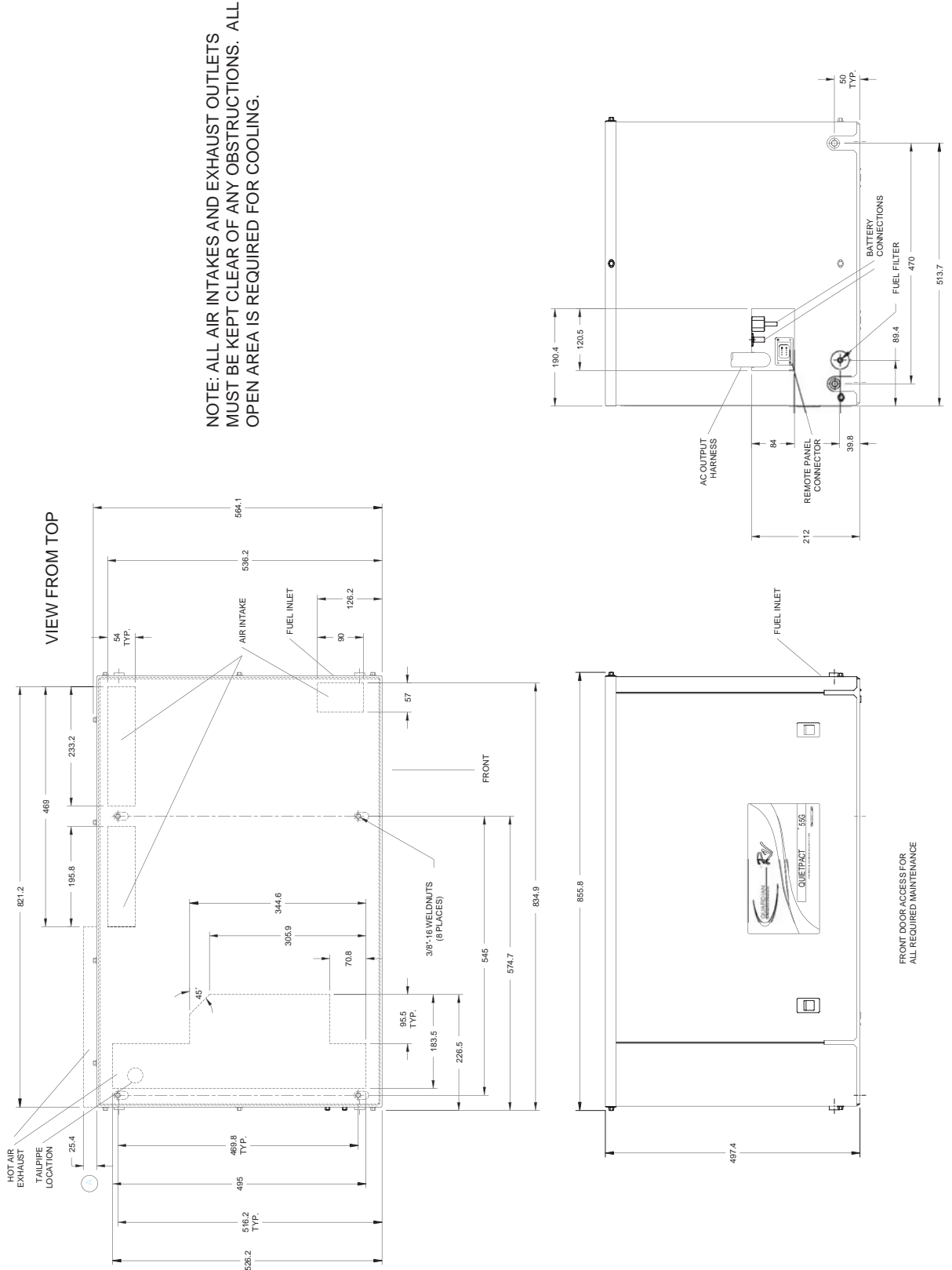


Figure 5.2 - Major Features and Dimensions (Drawing No. 0E1058-A)



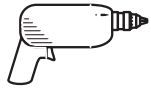
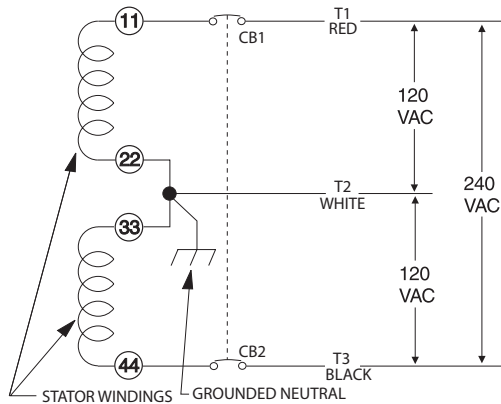


Figure 5.3 - Connection for 120/240 Volts



- The AC connection system on all air-cooled PRIMEPACT series generators uses a GROUNDED neutral.
- A separate green ground wire is connected to the recreational vehicle's junction box.
- Loads connected across T1 (Red) to T2 (White), and T3 (Black) to T2 (White), must not exceed ratings for your specific generator (see Section 1.6.3).

NOTE:

Do NOT connect loads in excess of circuit breaker ratings.

6.1 LOCATION AND SUPPORT

◆ 6.1.1 GENERATOR LOCATION

The most desirable location for the generator set is between the vehicle's main frame members. However, this is seldom possible. Most units must be installed on the side of the vehicle and are difficult to reinforce.

Many recreational vehicles have been factory equipped with an area for the generator set. Some vehicles may even have a generator compartment provided by the vehicle manufacturer.

Plan the generator location based on the following:

- The generator set must be installed on a framework that is part of the recreational vehicle, as outlined in Section 6.1.2.
- The location must provide an access opening that is large enough to permit generator removal (unless the generator is to be removed from underneath the supporting framework).
- The location must provide easy access to frequently serviced components, such as filters, oil drains, spark plugs and other common maintenance parts.

- The location must provide sufficient room to allow minimum clearances as outlined in Section 6.2. If sound insulation is to be used on the compartment walls and ceiling, the minimum recommended applies to the space between the generator and such insulation.
- The location must provide adequate cooling and ventilating airflow for the generator without a great deal of work and expense.

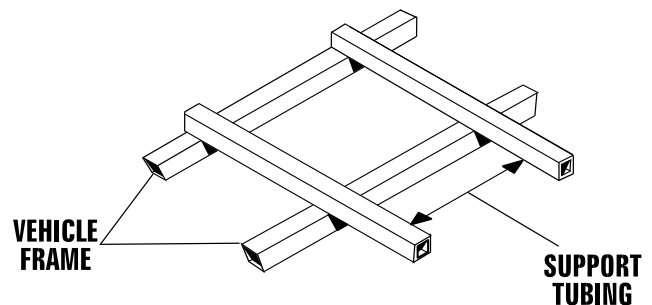
◆ 6.1.2 GENERATOR SUPPORT

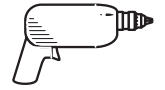
The generator must be securely attached to a metal framework that has been made part of the vehicle frame structure by bolting or welding. The metal framework on which the generator will rest and which will restrain the generator set should consist of at least two horizontal beams. These beams should consist of (a) 1-1/2-inch square, 11-gauge steel tubing OR (b) 1-1/2-inch, 11-gauge angle iron. A typical supporting frame with horizontal support tubing, is shown in Figure 6.1.

The generator can be installed so that it sits on top of the horizontal support tubing if the vehicle design permits. Another method is to suspend the generator below the horizontal support tubing by means of suitable, structurally sound metal framework. The following general rules apply:

- Vehicle construction **MUST** be capable of supporting the weight of the generator.
- Whether the generator is mounted above the horizontal support tubing or suspended below the tubing, the supporting frame used must be structurally sound.
- If the generator cannot be bolted directly to the supporting frame or support tubing, consider using additional tubing, angle brackets or other supports to give the supporting frame sufficient strength.

Figure 6.1 – Typical Horizontal Support Frame



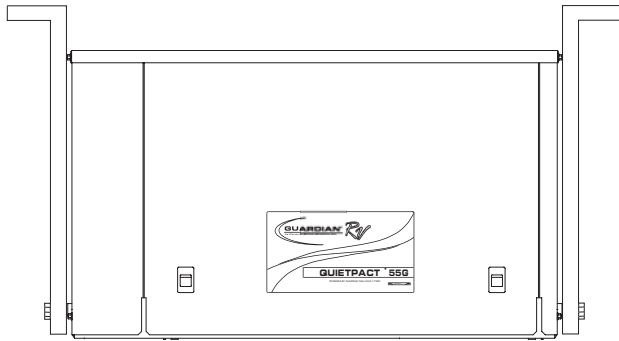


◆ 6.1.3 SUSPENDED MOUNTING

If you are going to suspend the generator below the horizontal support tubing, the suspension method you use with the vehicle frame members must (a) be able to support the weight of the generator AND (b) provide sufficient restraint for the generator. One typical suspended mounting system is shown in Figure 6.2. The location of a suspended mounting system must be carefully planned, keeping the following general rules in mind:

- Protect the generator against road splash and debris. Baffles or splash guards may be required to protect certain areas of the generator. To make sure the generator is adequately protected, road test the installation through mud, water and slush.

Figure 6.2 – Typical Suspended Mounting System

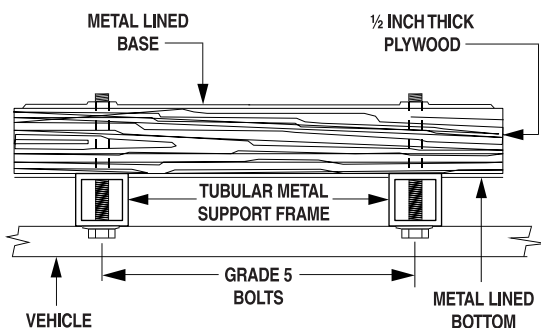


- The installer must make certain that the selected location will permit adequate cooling and ventilating airflow to be supplied.

◆ 6.1.4 GENERATOR RESTRAINT

Use four 3/8"-16 hardened steel bolts (Grade 5) to fasten the generator to the supporting frame or the support tubing. These bolts must pass through (a) the generator mounting base, (b) the compartment floor (if a compartment is used) and (c) the supporting framework (Figure 6.3). All bolts must be long enough so that when tight, at least three threads are visible past the retaining lock nuts. Refer to Section 6.2 for the location of the generator mounting holes.

Figure 6.3 – Typical Generator Restraint



6.2 GENERATOR COMPARTMENTS

Whether the generator set is being installed inside a compartment specifically manufactured to house a generator or inside a compartment that the installer constructs, the compartment **MUST** meet certain specifications as outlined in the following sections:

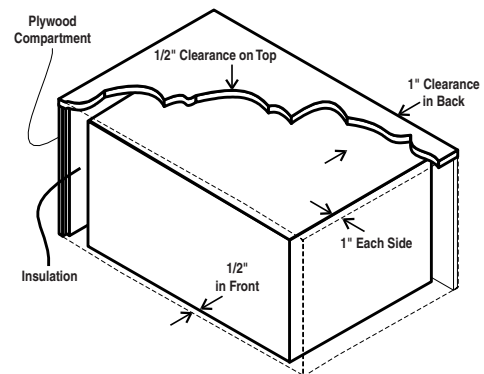
◆ 6.2.1 COMPARTMENT SIZE

Plan the compartment size carefully. Provide a minimum clearance of 1/2 inch (13 mm) on the front and top, 1 inch (25 mm) on the sides, and 1/2 inch (13 mm) from the back for air circulation **AFTER** the compartment has been lined with metal and sound insulation (Figure 6.4).

NOTE:

Refer to “Figure 5.2 – Major Features and Dimensions” on Page 21.

Figure 6.4 – Clearances



◆ 6.2.2 COMPARTMENT CONSTRUCTION

- The generator compartment should be either constructed of, or lined with, 26-gauge galvanized steel.

NOTE:

Aluminum is NOT an acceptable alternative to galvanized steel due to aluminum's low melting point.

- If the compartment is lined with galvanized steel, it may be constructed of any material. Generac recommends that the compartment be constructed of 1/2-inch thick plywood (not strandboard), with the floor made of a double thickness of 1/2-inch plywood with the grain of the wood at cross section for added strength (Figure 6.5).

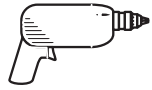


Figure 6.5 – Typical Compartment Construction

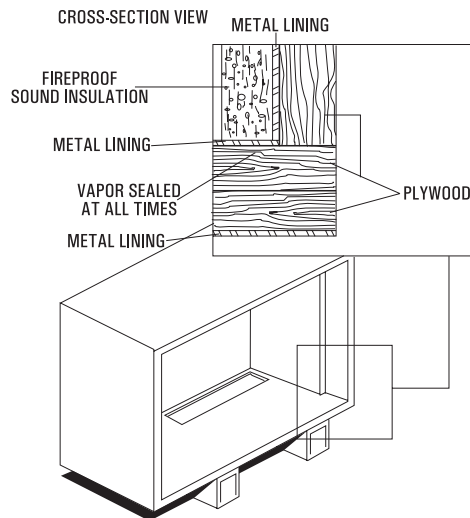
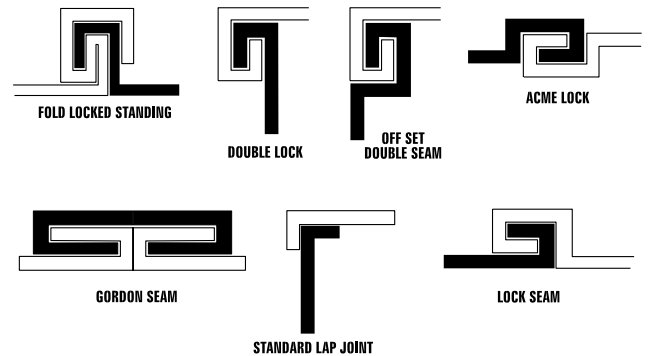


Figure 6.6 – Types of Lock Seams



- If constructing a compartment, line the exterior (underside) of the compartment floor with 26-gauge galvanized steel.
- All seams, splices and joints of the compartment walls (unless vapor tight by design) should be caulked to prevent poisonous, flammable or explosive vapors from entering the vehicle interior.

NOTE:

Caulking must be done so that the caulking material will stay in place permanently. Pressing such materials as putty tape onto joints and seams is not acceptable. A high quality silicone rubber base sealant is recommended.

- Holes and openings made in the compartment walls to allow for the passage of electrical conduit, conductors, hoses, cables, etc., into the vehicle living area must be sealed vapor tight with silicone rubber base sealant.
- If flexible metal conduit is used, it must be sealed internally at the end where it terminates inside the compartment's electrical junction box.

NOTE:

Flexible metal conduit, due to its unique construction, is NOT vapor tight along its entire length.

- Seams and joints of the galvanized steel (whether used as a liner or for the compartment itself) must be lapped and mechanically secured. Such seams may be manufactured, welded, bolted, riveted or screwed. Manufactured lock seams are shown in Figure 6.6. Installer constructed compartments typically utilize a standard lap joint.

- After the compartment has been metal lined and vapor sealed, line the compartment interior walls and ceiling with an approved, nonflammable sound insulating material. See Section 6.2.3.

⚠ DANGER ⚠

⚠ Do not install any flammable material directly above or around the compartment. Heat, transferred through the compartment structure, may be sufficient to ignite, char or discolor seat cushions, fiberboard and other flammable materials. You may need to use approved nonflammable insulating materials in high temperature areas.

◆ 6.2.3 SOUND INSULATING MATERIALS

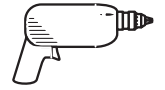
Once installers have determined that a compartment is properly constructed and metal lined, they can add acoustical material. This may include additional sealant or insulating material, to reflect noise away from the vehicle interior.

Sound insulating materials should be of a nonflammable type. One excellent insulating material is a 1-inch (25 mm) thick fiberglass having a 2-pound density. When fiberglass is used, its coated side should face toward the compartment interior.

⚠ DANGER ⚠

⚠ Do not install sound insulation or any absorbent material on the compartment floor interior. Such materials will become soaked with combustible or explosive vapors and liquids and will become a fire hazard.

Using a combination of sound insulating materials can often reduce noise more effectively than a single material. For example, a sheet of lead or visco-elastic material, along with a layer of other acoustical material, is more effective than when a single material is used.



◆ 6.2.4 ACOUSTICS

For additional noise abatement, the installer may wish to consider the following:

- Using special sound insulating materials.
- Construction of a special noise abatement compartment.

NOTE:

Any method used to reduce noise must not adversely affect the flow of cooling and ventilating air into or out of the compartment.

In addition to the effective use of sound insulating materials, construction of a special noise abatement compartment might be considered to reduce noise levels. Such a compartment might be constructed as follows (Figure 6.7):

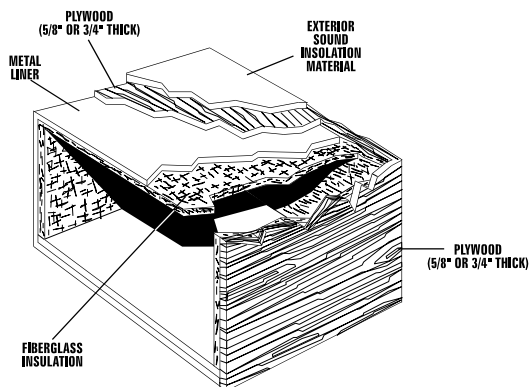
- Use 5/8-inch thick or 3/4-inch thick plywood in the compartment.
- Construct the compartment floor of a double thickness of 5/8-inch or 3/4-inch plywood.
- Line the compartment interior walls and floor, as well as the underside of the floor, with 26-gauge galvanized steel.
- Vapor seal all compartment seams and joints.
- Over the galvanized steel lining, install a combination of acoustical materials as mentioned in Section 6.2.3.



▲ To prevent fire or explosion, do not install any insulation or other absorbent materials on the interior or underside of the compartment floor.

- Seal all compartment door edges to prevent noise leakage around the door perimeter.
- Line the compartment door interior (except for air openings) with suitable, fireproof sound insulation (such as 1-inch (25 mm) thick fiberglass with a 2-pound density).

Figure 6.7 – Typical Noise Abatement



◆ 6.2.5 COMPARTMENT FLOOR CUTOUTS

You must provide openings in the generator compartment for the following items (Figure 6.8, Page 26):

- Engine exhaust and cooling air outlets
- Generator cooling air inlet
- Four holes for passage of generator mounting bolts. See Section 6.1.4 (Page 23).



▲ Fuel lines and exhaust piping must not penetrate into the vehicle living area.

6.3 COOLING AND VENTILATING AIR

It is absolutely essential that an adequate flow of air for cooling, ventilating and engine combustion be supplied to the generator set. Without sufficient airflow, the engine/generator quickly overheats. Such overheating can cause serious operating difficulties and also may cause fire and personal injury. The installer must make sure that sufficient air is available to the generator for cooling, ventilating and combustion. The installer also must provide for a path for exhausting the cooling air to the exterior of a compartment, if so equipped.

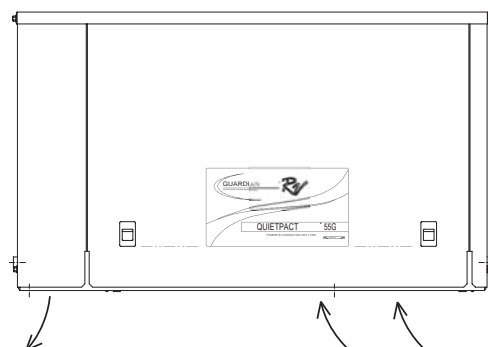


▲ Never use discharged cooling air for heating or permit such air to enter the vehicle interior. This air contains deadly carbon monoxide gas and other poisonous, flammable or explosive gases.

◆ 6.3.1 GENERATOR AIRFLOW

Engine operation drives cooling fans for the two-stage cooling air system. A pressure fan draws cooling air into the top of the generator (Figure 6.9). This airflow cools the engine/generator and electronic components. The second part of the cooling system, a suction fan, draws air that is heated from a hot engine into a collector pan at the base of the unit. This heated air (although cooler than exhaust muffler) is then deflected out the bottom toward the ground.

Figure 6.9 – Airflow Through Engine/Generator



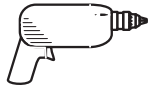
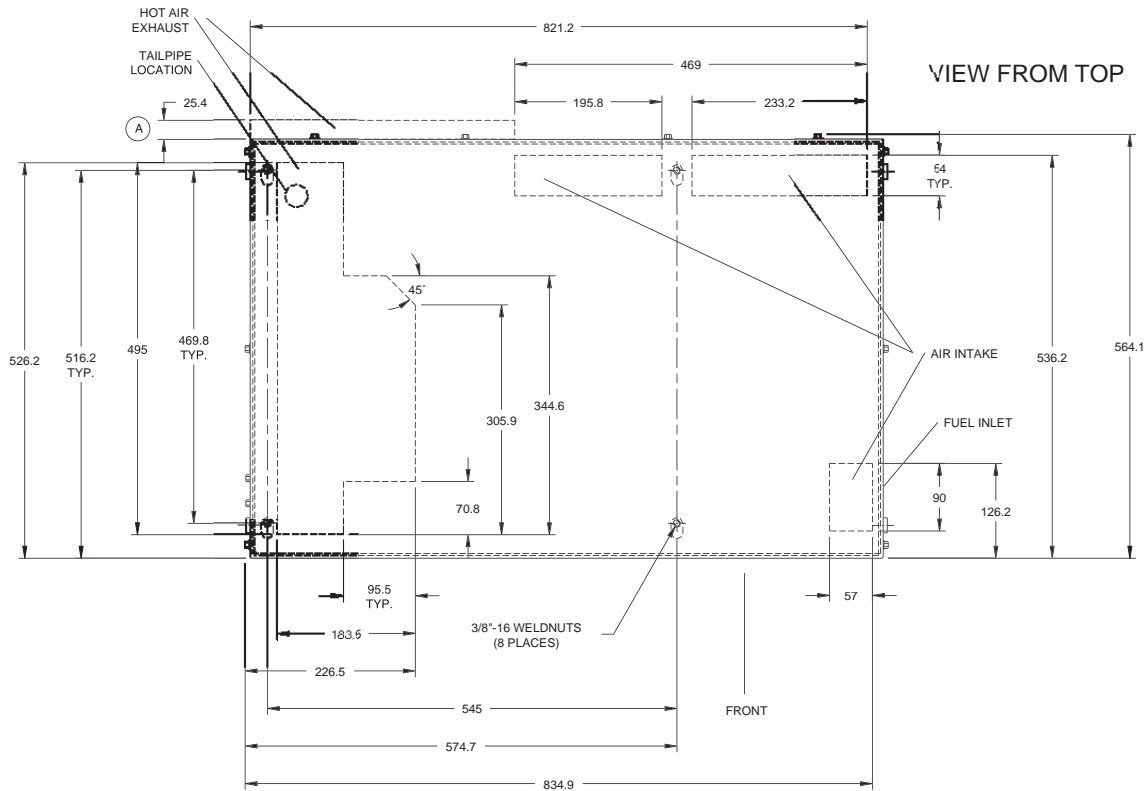


Figure 6.8 – Compartment Floor Cutout



NOTE: ALL AIR INTAKES AND EXHAUST OUTLETS MUST BE KEPT CLEAR OF ANY OBSTRUCTIONS. ALL OPEN AREA IS REQUIRED FOR COOLING.

◆ 6.3.2 TESTING THE INSTALLATION

Generac recommends testing the installation to be sure adequate cooling airflow is available to the unit before placing the unit into service. If the unit shows signs of overheating, you will need to enlarge the air openings. Never place a unit into service until absolutely certain that cooling and ventilation is adequate.

NOTE:

You must test the installation, especially if you bring in air from below the generator set.

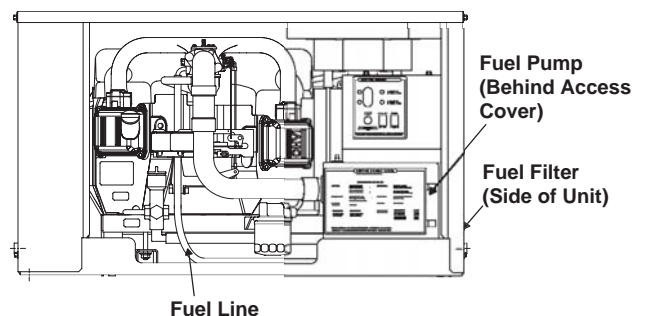
6.4 GASOLINE FUEL SYSTEM

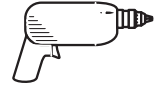


⚠ Gasoline is highly flammable, and its vapors are explosive. Comply with all codes, standards and regulations pertaining to gasoline fuel systems used in recreational vehicle generators. Properly install and maintain the fuel system and keep it entirely free of leaks. Gasoline vapors must not enter the vehicle interior.

The installation of a gasoline fuel system (Figure 6.14) for a recreational vehicle generator set must comply with applicable codes, standards and regulations. The entire fuel system must be completely free of leaks. There must be no possibility of gasoline vapors entering the vehicle interior.

Figure 6.14 – Generator Fuel System





Factory installed generator fuel system components include (a) fuel filter, (b) 12-volt DC electric pump, (c) engine carburetor, and (d) interconnecting lines and fittings. Connect a fuel supply line to the fuel filter inlet. Use a flexible length of approved fuel hose between the fuel filter inlet connection and rigid fuel lines.

◆ 6.4.1 FUEL TANK

Either the generator must share the vehicle engine's fuel tank, or you must install a separate fuel tank for the generator set. All fuel tanks installed on the vehicle must be constructed, installed and restrained so they comply with applicable codes, standards and regulations.

If the generator is to share the vehicle engine's tank, separate fuel pickup tubes are required for the engine and the generator. Generac recommends that you make the fuel pickup tube 2 to 3 inches (51 to 76 mm) shorter than the vehicle engine's pickup tube. This prevents the generator from depleting the entire fuel supply during prolonged generator operating periods.



- ⚠ **Do NOT tee the generator fuel supply line into the vehicle engine fuel supply line. If this is done, the generator will be starved of fuel when both engines are operating at the same time. Also, while the vehicle engine is not running, generator operation may drain the vehicle engine supply line, making it difficult to start the vehicle engine.**

◆ 6.4.2 GENERATOR FUEL SUPPLY LINE

6.4.2.1 Rigid Fuel Lines

Those lines used to supply fuel from a tank to the generator must comply with applicable codes, standards and regulations. The following general rules apply to rigid fuel lines:

- Rigid lines should be of annealed, seamless, drawn aluminum or steel.
- Lines and fittings must comply with SAE J512F, "Standard Automotive Fittings," or with ANSI B126.26 (latest edition).
- Route the fuel line so that at least 2 inches (51 mm) of clearance is maintained between the line and any exhaust system parts.
- Do not attach electrical wiring to fuel lines. Route the wiring so it cannot come into contact with any fuel line.
- Route fuel lines so if they leak, fuel does not drip onto any electrical or exhaust system parts.
- Use nonferrous metal straps without sharp edges to secure fuel lines.

6.4.2.2 Flexible Fuel Line

Use an approved flexible length of fuel hose between the generator fuel inlet connection and rigid fuel lines. This prevents breaking of the line caused by vibration, shifting, settling or movement. The following rules apply:

- The flexible hose must comply with SAE J30B, "Standard for Fuel and Oil Hose." It must be approved for use with gasoline.
- The hose should be at least 6 inches (152 mm) longer than is needed to prevent the hose from rupturing if the generator shifts or settles.

6.5 LP GAS FUEL SYSTEM



- ⚠ **LP gas is highly EXPLOSIVE. The gas is heavier than air and tends to settle in low areas. Even the slightest spark can ignite it and cause an explosion. Only competent, qualified people should be allowed to install, test, adjust or service an LP gas fuel system. Install the optional fuel system in compliance with applicable codes, standards and regulations. After the installation, do not do anything that might render the system in noncompliance with applicable codes and standards.**

The LP powered range of generators are fitted with a nonadjustable, factory set system. These systems are tamper-proof to meet 1997 California Air Resources Board requirements for engine emission.

◆ 6.5.1 LP FUEL CONSUMPTION (lb./hour)

Model	Idle	50% Load	100% Load
Quietpact 55LP	2.34	3.96	5.07
Quietpact 65LP	2.34	4.20	6.50
Quietpact 75LP	2.34	4.44	8.75

◆ 6.5.2 PARTS NOT INCLUDED IN FUEL SYSTEM

The propane fuel system does NOT include such items as (a) gas tank, (b) gas piping, (c) fittings, (d) valves, and (e) primary regulator, used to store the gaseous fuel and deliver it to the gaseous fuel solenoid (Figure 2.15, Page 29).



- ⚠ **Use only approved components in the fuel supply system. All components must be properly installed in accordance with applicable codes. Improper installation or use of unauthorized components may result in fire or an explosion. Follow approved methods to test the system for leaks. No leakage is permitted. Do not allow fuel vapors to enter the vehicle interior.**

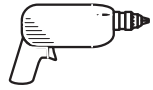
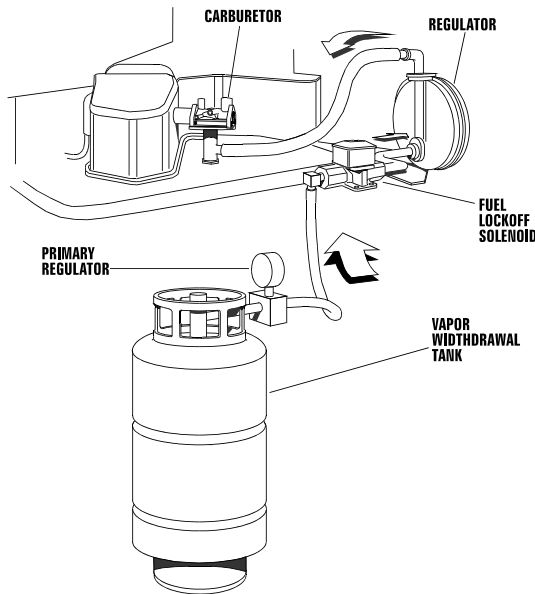


Figure 6.15 – Typical Propane Gas Fuel System



◆ 6.5.3 SOME IMPORTANT CONSIDERATIONS

When installing an LP gas system, consider seriously the following items:

- All fittings, lines, hoses and clamps must be tight and free of leaks. Apply a pipe sealant to threads when assembling threaded connections. This reduces the possibility of leakage.
- Test the entire fuel system for leaks using approved test methods.
- Optimum gas pressure at the inlet to the gaseous fuel solenoid valve and secondary regulator is 11 inches water column.
- The installer’s fuel supply connection point is at the gaseous fuel solenoid valve. This is a 3/4-inch (female) connection. Provide a suitable 3/4-inch NPT (male) connector to attach to the fuel supply line.
- Use a length of approved flexible fuel hose between the gaseous fuel solenoid valve and rigid gas piping. The flexible line should be at least 6 inches longer than necessary.

◆ 6.5.4 VAPOR WITHDRAWAL

LP gas is stored in pressure tanks as a liquid. The gas systems used with these generators were designed only for vapor withdrawal type systems. Vapor withdrawal systems use the gas vapors that form above the liquid fuel in the tank. Do NOT attempt to use the generator with any liquid withdrawal type system.

◆ 6.5.5 PRIMARY REGULATOR

Gas pressure delivered to the solenoid valve must be properly regulated by means of a primary gas regulator. Mount the primary regulator at the gas tank outlet or in the supply line from the gas tank. The following rules apply:

- For best results, the primary regulator supplies gaseous fuel to the secondary regulator at 11 inches water column. Do NOT exceed 14 inches water column.
- The installer must be sure the primary regulator is rated at sufficient gas flow to operate the generator plus all other gas appliances in the circuit.

NOTE:

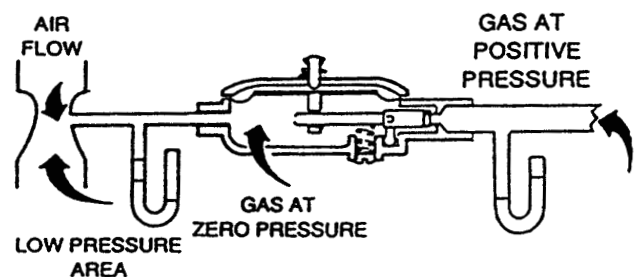
Recommended MINIMUM gas flow rate for all air-cooled PRIMEPACT series generators is 67 cubic feet per hour.

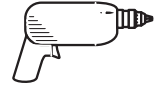
If an existing primary gas regulator does not have a sufficient flow capacity for the generator and other gas appliances in the circuit, (a) install a primary regulator with adequate flow rate, or (b) install a separate regulator only and rated at least 67 cubic feet per hour. The inlet side of any primary regulator that supplies the generator must connect directly to a gas pressure tank. Do NOT tee the generator line into a gas circuit feeding other areas.

◆ 6.5.6 GASEOUS CARBURETION

LP gas vapors should be supplied to the secondary regulator inlet at about 11 inches water column (positive pressure). The engine pistons draw air in during the intake stroke (Figure 6.16). This air passes through a carburetor venturi, which creates a low pressure that is proportional to the quantity of air being pumped. The low pressure from the carburetor venturi acts on the regulator diaphragm to pull the diaphragm toward the source of low pressure. A lever attached to the diaphragm opens a valve to permit gas flow through the carburetor.

Figure 6.16 – LP Gas Carburetion Diagram





The greater the airflow through the carburetor venturi, the lower the pressure at the venturi throat. The lower the pressure at the venturi throat, the greater the diaphragm movement, and the greater the movement of the regulator valve. The more the regulator valve opens, the greater the gas flow that is proportional to airflow through the generator.

The following facts about the secondary regulator must be emphasized:

- The regulator must be sensitive to venturi throat pressure changes throughout the operating range.
- The regulator must be properly adjusted so it will stop the flow of gas when the engine is not running (no air flow through the carburetor).
- The slightest airflow (and vacuum in the venturi throat) should move the regulator valve off its seat and permit gas to flow.

◆ 6.5.7 FUEL SUPPLY LINES

- LP gas lines must be accessible, but protected against possible damage.
- Do NOT connect electrical wiring to any LP gas fuel line or run wiring alongside the lines.
- Route gas lines away from hot engine exhausts.
- Retain gas lines with metal clamps that do not have sharp edges.
- Install an approved length of flexible hose between the gaseous fuel solenoid valve and rigid fuel supply lines. The flexible line must be nonmetallic, nonorganic and nonconductive. It must be approved for use with LP gas.



- ▲ Gaseous fuel lines between the tank and the secondary regulator are under a positive pressure (about 11 inches water column). Gas pressure at the outlet side of the secondary regulator, however, is a negative pressure and can draw flame inside a line or fitting and cause an explosion.

◆ 6.5.8 EXCESS FLOW VALVE

LP gas tanks should have an excess flow valve, according to NFPA 501C, Paragraph 3-4.4. This valve and the gas lines must be carefully sized so the valve will close when a fuel line is severed or broken. Consult the Natural-LP Gas Association for information and limitations of excess flow valves.

Manual shutoff valves on the supply tank and elsewhere in the system must be fully open when operating the generator. The excess flow valve functions properly only if all valves are fully open.

◆ 6.5.9 LEAKAGE TESTS

Do not place the generator into service until you have properly tested the gas system for leaks. To test the system, you need a separate source of 12 volts DC to open the gaseous fuel solenoid valve.

The leak test must comply fully with NFPA, Paragraph 318. All connections, hoses, valve regulators, fittings, and other fuel system parts must be tested under gas or air pressure of not less than 90 psi (620 kPa), while using soap and water or an equivalent solution to check for leaks. Other approved methods of testing for leaks may be used, if appropriate. DO NOT USE ANY FLAME TO TEST FOR LEAKS.

6.6 EXHAUST SYSTEM

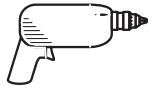
The generator exhaust system must be safely and properly installed. Only approved mufflers and other exhaust system parts must be used. A properly installed exhaust system must be vapor tight, quiet and completely safe.



- ▲ The generator engine gives off DEADLY carbon monoxide gas through its exhaust system. This dangerous gas, if breathed in sufficient concentrations, can cause unconsciousness or even death. Never operate the generator set with the vehicle inside any garage or other enclosed area. DO NOT OPERATE THE GENERATOR IF THE EXHAUST SYSTEM IS LEAKING OR HAS BEEN DAMAGED. SYMPTOMS OF CARBON MONOXIDE POISONING ARE (a) inability to think coherently; (b) vomiting; (c) twitching muscles; (d) throbbing temples; (e) dizziness; (f) headaches; (g) weakness; and (h) sleepiness. IF YOU FEEL ANY OF THESE SYMPTOMS, MOVE INTO FRESH AIR IMMEDIATELY. IF SYMPTOMS PERSIST, GET MEDICAL HELP. Do not operate the generator until its exhaust system has been inspected and properly repaired.



- ▲ Never tee the generator engine exhaust pipe into the vehicle engine exhaust piping. This causes excessive back pressure on the generator engine. Also, water from one engine can damage the other engine.



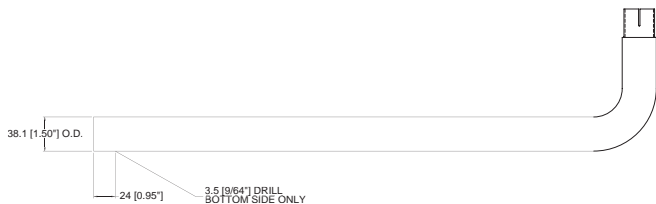
◆ 6.6.1 MUFFLERS AND SPARK ARRESTORS

This muffler meets code and standard requirements of the U.S. Forest Service. Use only mufflers and parts approved by Generac. Any person(s) installing an unapproved muffler, or an unapproved exhaust system part, or modifying an exhaust system in any way that might cause a hazard, is liable for any damage, injury or warranty expense that might be caused by such unapproved installation or modification.

Failure to provide and maintain a spark arrestor may be in violation of the law. If this generator is used on any forest covered, brush covered or grass covered unimproved land, you must provide a spark arrestor. The vehicle owner or operator must maintain this device in good condition. In the state of California, the preceding is required by law (Section 4442 of the California Public Resources Code). Other states may have similar laws. Federal laws apply on federal lands.

When installing/replacing the tailpipe or spark arrestor components, verify that the tailpipe has a hole to securely fasten the spark arrestor components (see Figure 6.17). Use only Generac supplied hardware. Substitution of parts may cause damage to the screen or a loose fit to the tailpipe.

Figure 6.17 — Spark Arrestor Installation



◆ 6.6.2 EXHAUST SYSTEM SAFETY

- Maintain a clearance of at least 3 inches (76 mm) between exhaust system parts and any combustible material (such as wood, felt, cotton, organic fibers or other like material). If you cannot maintain the 3-inch (76 mm) clearance, locate, insulate or shield the exhaust part(s) so that the temperature of any combustible material is not raised more than 117° F (65° C) above the ambient air temperature.
- Extend the exhaust system at least 1 inch (25 mm) past the outer edge of the vehicle. Do not terminate the exhaust system under the vehicle.
- Terminate the exhaust tailpipe such that exhaust gases will not be drawn back into the generator compartment and recirculated.

- If there is any possibility of the tailpipe or muffler being damaged, protect these damage-prone areas by means of a protective device (such as a skid bar).
- Install the generator exhaust system according to safe automotive practices.
- Use enough exhaust system hangers to prevent any part of the system from being dislocated.
- Use exhaust system parts recommended by Generac. Using unapproved exhaust mufflers and exhaust system parts is the responsibility of the person(s) installing such unauthorized parts.
- Do not terminate the exhaust system under any opening, window or vent that can be opened or is not permanently sealed from the vehicle interior.
- Exhaust piping must be large enough to prevent excessive back pressure on the generator engine.
- Never tee the generator engine exhaust pipe into the vehicle engine exhaust piping. This causes excessive back pressure on the generator engine. Also, water from one engine can damage the other engine.
- Plan exhaust system installation carefully. Comply with all applicable codes, standards and regulations.

6.7 ELECTRICAL CONNECTIONS

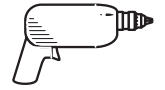
Be sure to read Section 5.6 on Page 20.

The following general rules apply to electrical connections in a recreational vehicle:

- Qualified electricians who are familiar with applicable codes, standards and regulations should install electrical wiring.
- The wiring should comply with codes, standards and regulations. The National Electrical Code (NFPA 70), and state and local codes apply.
- Switches and circuit breakers should be of a type approved for use in recreational vehicles and must be mounted and installed to prevent damage from road shock.
- Wiring must be of adequate size, have approved insulative qualities and be properly supported.
- Conduit and wire openings into the generator compartment (if used) must be vapor-sealed to prevent entry of flammable, explosive or poisonous gases into the vehicle.

◆ 6.7.1 ELECTRICAL JUNCTION BOX

Install an approved, square electrical junction box with a blank cover on the interior or exterior wall of the area you plan to install the generator (NOT on the generator). Route the generator's AC output leads into this junction box through approved flexible conduit. This is the point of first termination for generator AC output leads.



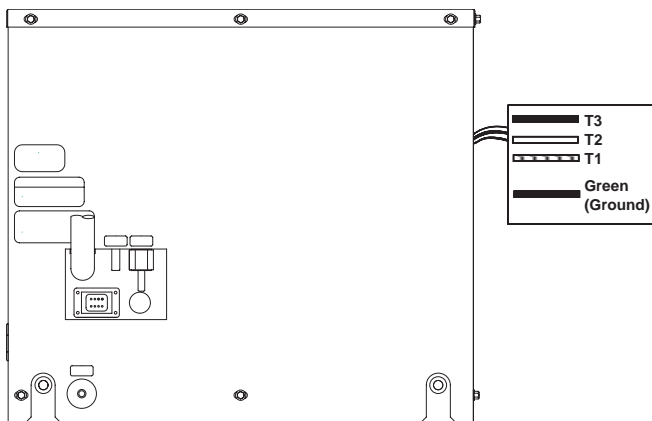
◆ 6.7.2 WIRING

- Wiring should be of stranded copper to reduce the chance that vibration may cause breakage.
- Wire gauge size should be large enough to handle at least 115 percent of the installed generator's rated maximum current.
- If neutral conductors are used, they must be the same size as other leg wires.
- Route power supply conductors from generator AC output leads T1 (red), T2 (white), T3 (black) and the green ground wire through approved flexible conduit to the electrical junction box on the compartment wall.
- If flexible metal conduit is used between the generator and the compartment junction box, the conduit end that terminates the compartment junction box must be vapor-sealed. Flexible metal conduit is NOT vapor tight along its entire length.
- From the junction box, route power supply wires through approved conduit to either (a) double-pole, double-throw transfer switch, or (b) approved isolation receptacle. Connecting to a transfer switch or isolation receptacle must prevent vehicle electrical circuits from being connected to two different power supplies at the same time (such as generator and dockside power).
- Conductors must be rated 221° F (105° C) or must be of a larger conductor size.

◆ 6.7.3 GENERATOR AC CONNECTIONS

Generator AC output leads T1 (red), T2 (white) and T3 (black) come out of the generator as shown in Figure 6.18. Leads T1 (red) and T3 (black) are “hot,” while T2 (white) is the grounded neutral lead. There is also a green lead that connects to ground in the junction box of the recreational vehicle.

Figure 6.18 – Generator AC Output Leads



Line T1 (red) to T2 (white) is protected against overload by a circuit breaker (CB1). Use this line-to-neutral connection separately to operate 120-volt, single-phase, 60 Hertz, AC loads. Line T3 (black) to T2 (white) also is protected against overload by a circuit breaker (CB2). Use this line-to-neutral connection separately to operate similar loads. However, be sure the total unit load does not exceed the maximum rating of the generator. The neutral line (T2, white) on all units is a grounded neutral.



Do NOT connect electrical loads in excess of any circuit breaker rating or you will develop problems with circuit breaker tripping, which causes a loss of AC output. Also, do NOT exceed the generator's rated wattage capacity. Add the watts or amperes of all lighting, appliance, tool and motor loads the generator will operate at one time. This total should be less than the unit's rated wattage/ampere capacity.

◆ 6.7.4 CONDUIT

Route the connections between the generator and the junction box through approved, flexible conduit. The following general rules apply:

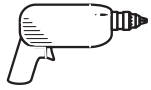
- Cut wiring to the required length and allow extra wire for junction box connections.
- Carefully prepare conduit ends to prevent sharp edges from cutting through wiring insulation.
- Route conduit so it does not interfere with generator movement.
- If you use metallic conduit, vapor seal the end of the conduit where it enters the junction box. Do this because flexible metallic conduit is not vapor-proof along its entire length.

◆ 6.7.5 ISOLATING DIFFERENT POWER SOURCES

Connections from the junction box must terminate in a double-pole, double-throw transfer switch (Figure 6.19, Page 33). An alternate method for isolating different power sources is by using an isolating receptacle (Figure 6.20, Page 33). Whichever method you use, you must be certain that both power sources are NOT connected at the same time.

◆ 6.7.6 POWER SUPPLY CORD

The power supply cord must comply with all applicable codes, standards and regulations. It must be large enough to handle the full amperage to which it will be subjected. (See page 33 for illustration.)



◆ **6.7.7 GROUND FAULT CIRCUIT INTERRUPTERS**

The National Electrical Code (NFPA 70, article 551) requires that you install ground fault circuit interrupters (GFCIs) on all external and some internal electrical receptacles. Contact your manufacturer or dealer for recommendations.

6.8 BATTERY INSTALLATION

◆ **6.8.1 RECOMMENDED BATTERY**

Install a battery that meets the following requirements:

- The battery must be a 12-volt, automotive type storage battery.
- For prevailing ambient temperatures above 32° F (0° C), use a battery rated 70 amp-hours and capable of delivering 400 cold-cranking amperes.
- For prevailing ambient temperatures below 32° F (0° C), use a battery rated 95 amp-hours and capable of delivering 400 cold-cranking amperes.

NOTE:

If the battery is to be used to power other vehicle accessories, as well as start the generator, you may need a battery with a larger capacity.

◆ **6.8.2 BATTERY CABLES**

Using battery cables that are too long or too small in diameter may cause a drop in voltage, which causes starting problems. For the best cold weather starting, the voltage drop between battery terminals and the generator connection point should not exceed 0.12 volts per 100 amperes of cranking current.

PRIMEPACT generators are rated at about 100 DC amperes of cranking current.

Select battery cables based on (a) cable length and (b) prevailing ambient temperatures. Generally, the longer the cable and the colder the weather, the larger the cable size must be, as shown in the chart.

CABLE LENGTH in Feet (meters)	CABLE SIZE
0 to 10 (0 to 3)	2*
11 to 15 (3.4 to 4.5)	0
16 to 20 (4.5 to 6)	000

*For warm weather, use No. 2 cable up to 20 feet.

◆ **6.8.3 BATTERY CABLE CONNECTIONS**

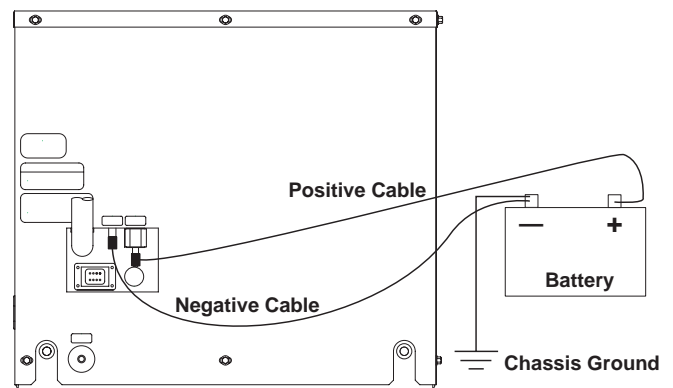
1. Connect the battery cable from the battery post or terminal indicated by a POSITIVE, POS or (+) to the lug on the starter contactor (Figure 6.21).

NOTE:

Check to be sure the battery cable boot for the starter cable has been installed.

2. Connect the battery cable from the battery post indicated by a NEGATIVE, NEG or (-) to the frame ground connection (Figure 6.21).
3. Connect cables so the connectors are clean and tight.

Figure 6.21 – Connecting Battery Cables



◆ **6.8.4 BATTERY COMPARTMENT**

Install the generator battery in its own, vented compartment. Place the battery compartment away from any source of heat, sparks or flame.

Provide ventilation openings in the battery compartment. The minimum size of openings should be 2 square inches at the top of the compartment. Mount the battery on a strong, rigid supporting structure, where leaks and spills of battery fluid will not cause damage.

Figure 6.18 — Transfer Switch Isolation Method

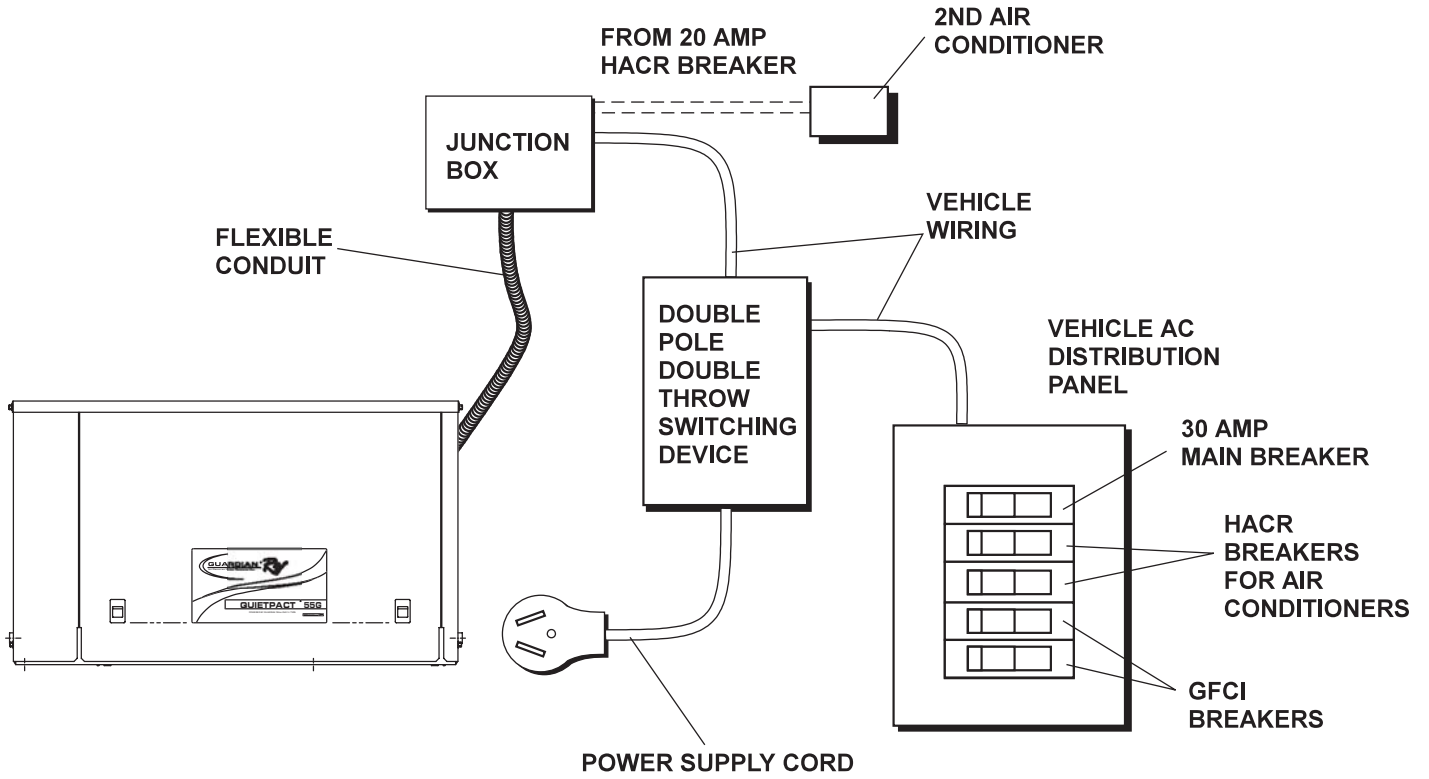
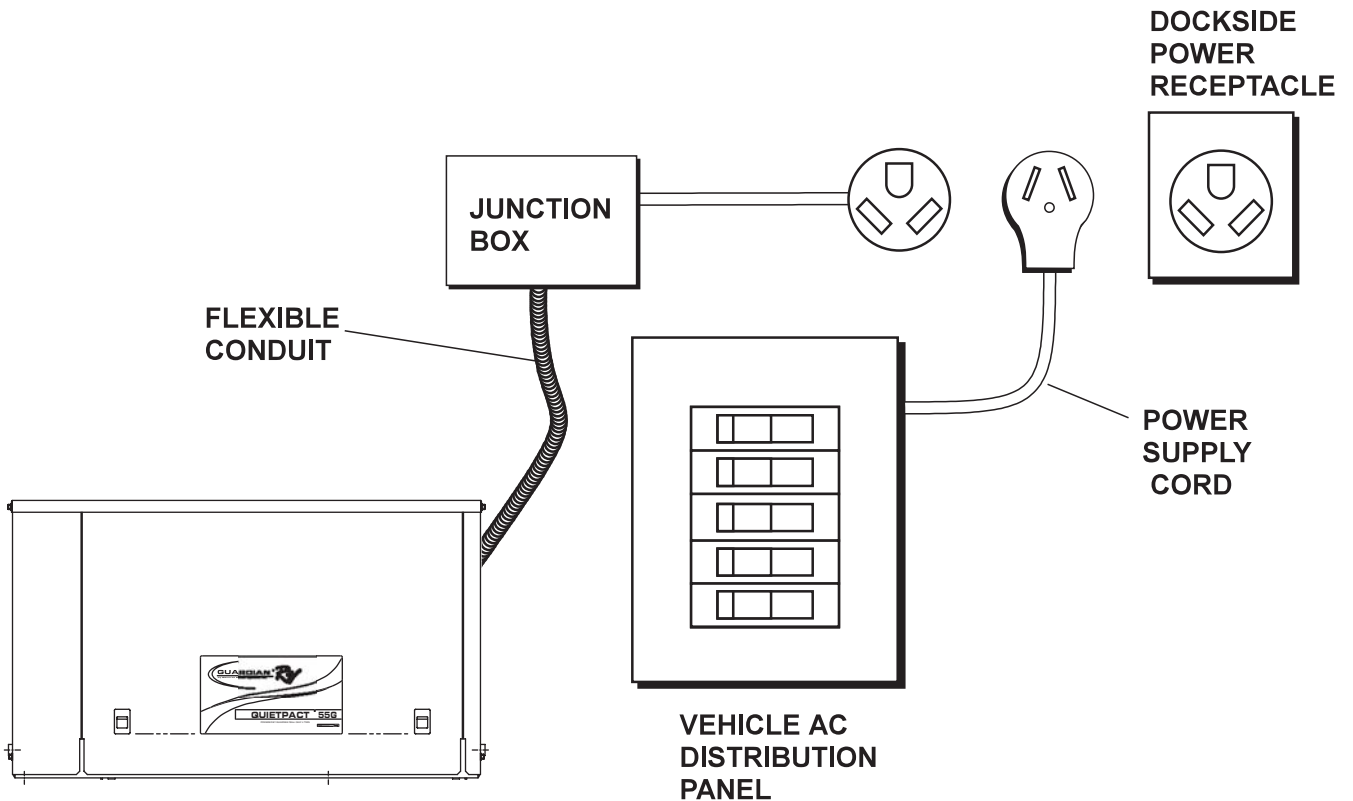
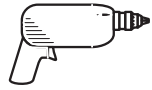


Figure 6.19 — Installation With Isolation Receptacle

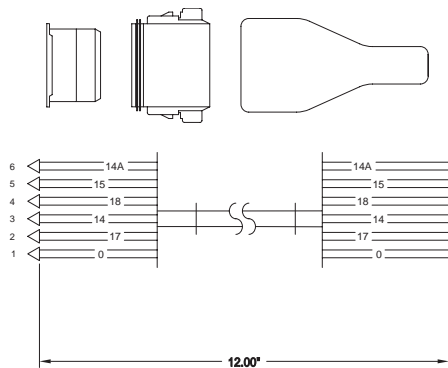




6.9 OPTIONAL ACCESSORIES

A plug-in receptacle (Figure 6.22) is provided on the generator set, above the muffler enclosure. Use this receptacle to connect an optional remote-mounted start/stop panel to the generator. Installation of such a panel will permit you to start and stop the generator engine from any convenient location inside the vehicle.

Figure 6.22 – Remote Panel Plug-in Receptacle



WIRE No.	WIRE COLOR	LENGTH (mm)	FUNCTION
0	WHITE	12.0 (305)	GROUND
14	RED	12.0 (305)	ENGINE RUN SIGNAL
15	ORANGE	12.0 (305)	12 VDC
17	YELLOW	12.0 (305)	START
18	BROWN	12.0 (305)	STOP
14A	BLUE	12.0 (305)	PRIME

P/N: 0D9099-B

6.9.1 REMOTE PANEL MODELS

The remote panels mount a rocker type start/stop switch, a “Generator Run” advisory lamp and an hourmeter. The hourmeter should be used in conjunction with the maintenance operations found in Part I of this manual.

- Model 004057 includes the remote panel and a 10 foot long, 4 wire harness.
- Model 004184 includes the remote panel and a 30 foot long, 4 wire harness.

7.1 POST INSTALLATION TESTS

The air-cooled generator set was factory tested and adjusted. You should not be required to adjust the unit any further except under special circumstances.



Do not make any unnecessary adjustments. Factory settings are correct for most applications. When making adjustments, however, be careful to avoid overspeeding the engine.

7.2 BEFORE INITIAL START-UP

Before starting, complete the following:

1. Check the engine crankcase oil level and, if necessary, fill to the dipstick “FULL” mark (cross-hatched area) with the recommended oil. Do not fill above the FULL mark.
2. Check the fuel supply. Gas fuel lines must have been properly purged and leak tested in accordance with applicable fuel codes. All fuel shutoff valves in the fuel supply lines must be open.



If a liquid propane (LP) gas fuel system has been installed, it must be properly tested for leaks before operating the system in compliance with ANSI A119.2/NFPA 501C. No leakage is permitted. You must be sure no gasoline fuel vapors enter the vehicle interior.

7.3 INITIAL START

When you are absolutely certain that the unit has been properly installed and prepared for use, start the engine as follows:

1. Turn off all electrical loads. Do this by setting the generator’s main circuit breakers to their “OFF” (or open) position.
2. Refer to Part I, Section 2.5, “Starting the Generator” (Page 8), for cranking and starting instructions. The engine may require more cranking for initial starting since the fuel lines have to be primed (use of the primer switch will shorten this time).
3. Let the engine warm up for about five minutes to allow internal temperatures to stabilize.
4. Carefully inspect the engine/generator for fuel, oil and exhaust system leaks. Before proceeding to the next step, correct any leakage immediately.
5. When all tests and adjustments at no-load are completed, apply electrical loads and check for proper operation under load. See Section 7.4. Run the unit at least 30 minutes with loads applied.
6. Turn off all electrical loads by setting the generator’s main circuit breakers to their “OFF” (or open) position.
7. Let the unit run at no-load for a few minutes to stabilize internal engine/-generator temperatures. Then, shut down the engine.

NOTE:

The generator set was thoroughly tested and adjusted at the factory before shipping. No additional adjustment should be necessary. Only qualified service technicians who have been trained should perform adjustments outlined in this manual.



7.4 TESTING UNDER LOAD

Apply electrical loads equal to about 75 to 100 percent of the unit's rated wattage/amperage capacity.

Let the unit run at least 30 minutes with load applied. During this part of the test, check that the unit is not running excessively hot and that adequate cooling airflow is available. You must not allow the unit to overheat during prolonged operation.

NOTE:

The generator engine is equipped with a high temperature switch. The switch has normally open (N.O.) contacts. When the engine temperature is too high, switch contacts close, and the engine shuts down automatically.

GENERAC RECOMMENDS THAT YOU TEST THE GENERATOR FOR ADEQUATE COOLING.

7.5 INSTALLATION CHECKLIST

◆ LOCATION AND SUPPORT

- Generator is properly located.
- Generator is properly supported.
- Generator is properly restrained.

◆ GENERATOR COMPARTMENT

- Compartment construction is proper.
- Holes/Openings are vapor-sealed.
- Compartment size is correct.
- Compartment is vapor-sealed.
- Sound insulation is correct.
- Floor cutouts are properly completed.

◆ COOLING AND VENTILATING AIR

- Airflow is adequate.
- Air inlet opening is correct.
- Compensate for restrictions.
- Check that installation has been tested.

◆ GASOLINE FUEL SYSTEM

- Fuel tank complies with all applicable codes.
- Fuel system is properly installed and checked for leaks.

◆ OPTIONAL LP GAS FUEL SYSTEM

- Fuel system is properly installed and checked for leaks.
- Pressure at regulator inlet is correct.
- Rated flow of primary regulator is correct.
- All parts are properly installed.
- Fuel system is properly tested/adjusted.

◆ EXHAUST SYSTEM

- Exhaust system complies with all applicable codes.
- Exhaust system is properly and safely installed.

◆ ELECTRICAL CONNECTIONS

- Connections comply with local code requirements and all National Electrical Codes.
- Junction box is properly installed.
- Wiring meets all standards.
- All connections are correct.
- Conduit is properly installed and sealed.
- Generator is properly bonded to the vehicle.

◆ BATTERY INSTALLATION

- Recommended battery is installed.
- Recommended cables are installed.
- Cables are clean and tight.
- Cables are connected properly.
- Proper ventilation is provided.
- Terminals are coated with anti-corrosion grease, and terminal covers are positioned.

◆ OPTIONAL ACCESSORIES

- Check that remote start/stop panels (if used) are installed properly.
- Check that hourmeter kit (if used) is installed properly.
- Check that any other options and accessories (if used) are installed properly.

◆ POST INSTALLATION TESTS

- Check that all tests are completed properly.

DATE OF INSTALLATION _____

NAME OF INSTALLER _____

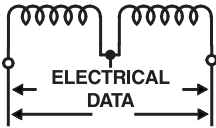
SIGNATURE OF INSTALLER _____



8.1 TROUBLESHOOTING GUIDE

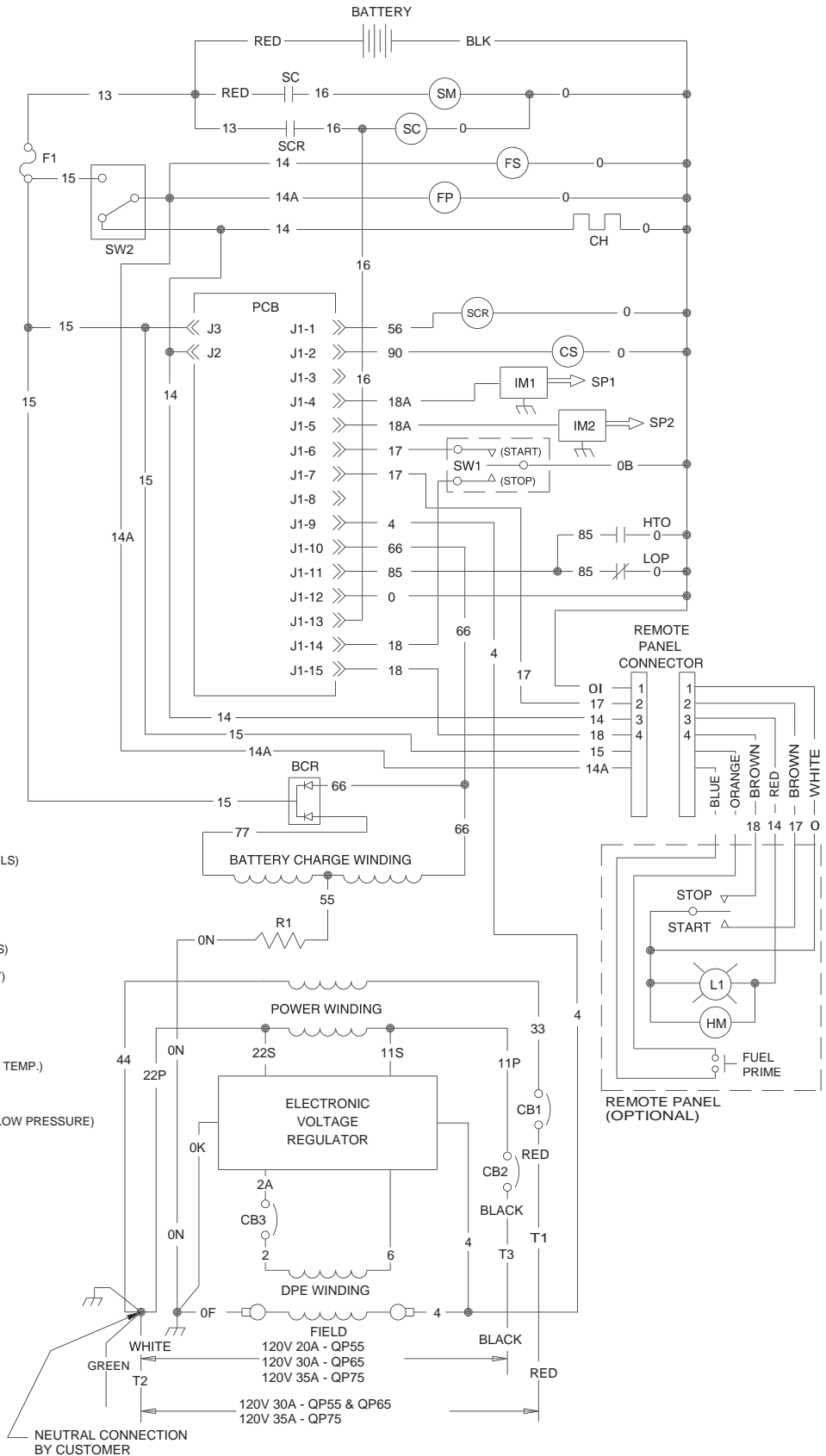
PROBLEM	CAUSE	CORRECTION
Engine won't crank.	<ol style="list-style-type: none"> 1. 7.5 amp fuse blown. 2. Loose, or corroded or defective battery cable(s). 3. Battery is discharged or defective. 4. Defective Start/Stop switch. 5. Defective starter contactor. 6. Defective starter motor. 7. Defective Engine Control Board 	<ol style="list-style-type: none"> 1. Replace blown fuse. 2. Tighten, clean or replace, as necessary. 3. Recharge or replace battery. 4. Replace switch. 5. Replace starter contactor. 6. Replace starter motor. 7. Contact an authorized service dealer.
Engine cranks, won't start.	<ol style="list-style-type: none"> 1. Out of fuel. 2. Fuel shutoff valve is closed. 3. Fuel pump not operating. 4. Automatic choke not operating properly. 5. Engine is flooded. 6. Fuel filter is clogged. 7. Engine spark plugs defective. 8. Bad ignition magneto on engine. 9. Bad carburetor. 10. Dirty air cleaner. 	<ol style="list-style-type: none"> 1. Refill fuel tank. 2. Open fuel shutoff valve(s). 3. Repair or replace pump. 4. Repair, replace or adjust. 5. Wait 5-10 minutes; try again. 6. Replace filter if clogged. 7. Clean, regap or replace as needed. 8. Replace if defective. 9. Adjust, repair or replace. 10. Clean or replace as needed.
Engine starts hard, runs rough.	<ol style="list-style-type: none"> 1. Dirty engine air cleaner. 2. Automatic choke is sticking. 3. Defective spark plugs. 4. Defective ignition magneto. 	<ol style="list-style-type: none"> 1. Clean or replace as needed. 2. Free choke linkage as needed. 3. Clean, regap or replace. 4. Replace it if defective.
Engine starts, then shuts down.	<ol style="list-style-type: none"> 1. Engine oil level is low. 2. Bad low oil pressure switch. 3. Defective high temp switch. 4. Water in fuel. 5. Defective remote harness. 	<ol style="list-style-type: none"> 1. Add oil as needed. 2. Replace, if bad. 3. Replace, if bad. 4. Drain fuel tank and refill. 5. Disconnect remote harness. Contact authorised service facility.
No AC output voltage.	<ol style="list-style-type: none"> 1. Main breaker(s) open. 2. Transfer switch (if so equipped) is set to wrong position. 3. Failure in vehicle electrical system. 4. Generator component failure. 	<ol style="list-style-type: none"> 1. Close main breaker(s). 2. Reset transfer switch. 3. See vehicle manual. 4. Contact an authorized service facility.

NOTES

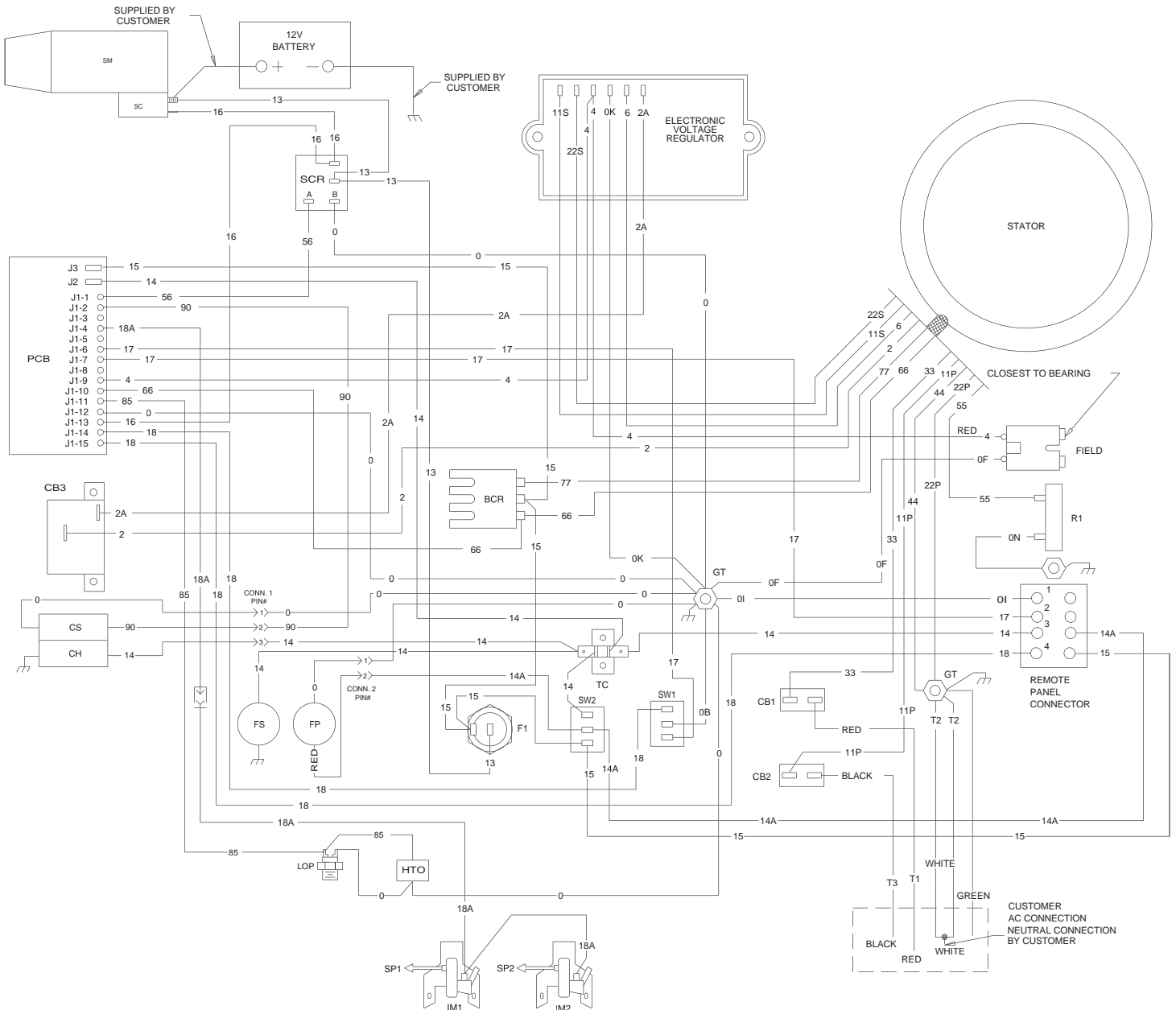
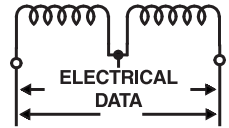


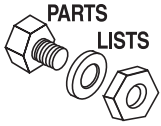
Section 10 – Electrical Data

QUIETPACT 55, 65, and 75 Recreational Vehicle Generators V-Twin – Drawing No. 0E1057-B



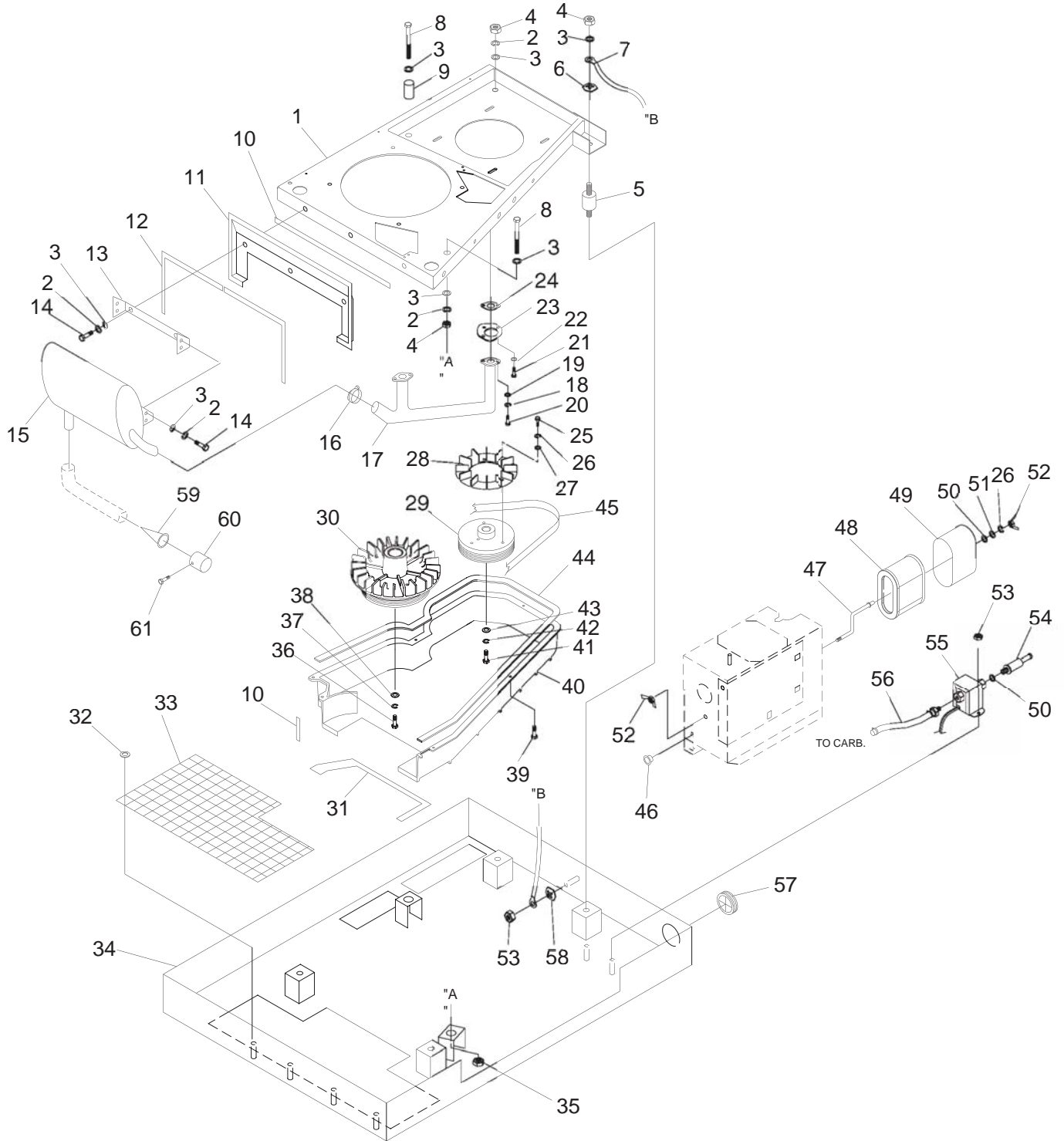
Section 10 – Electrical Data
QUIETPACT 55, 65, and 75 Recreational Vehicle Generators
V-Twin – Drawing No. 0E1057-B



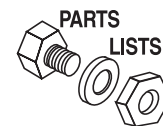


Section 11 – Exploded Views and Parts Lists

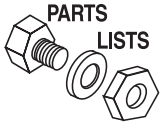
QUIETPACT 55, 65, and 75 Recreational Vehicle Generators
Base & Pulley – Drawing No. 0E1323-A



Section 11 – Exploded Views and Parts Lists
QUIETPACT 55, 65, and 75 Recreational Vehicle Generators
Base & Pulley – Drawing No. 0E1323-A

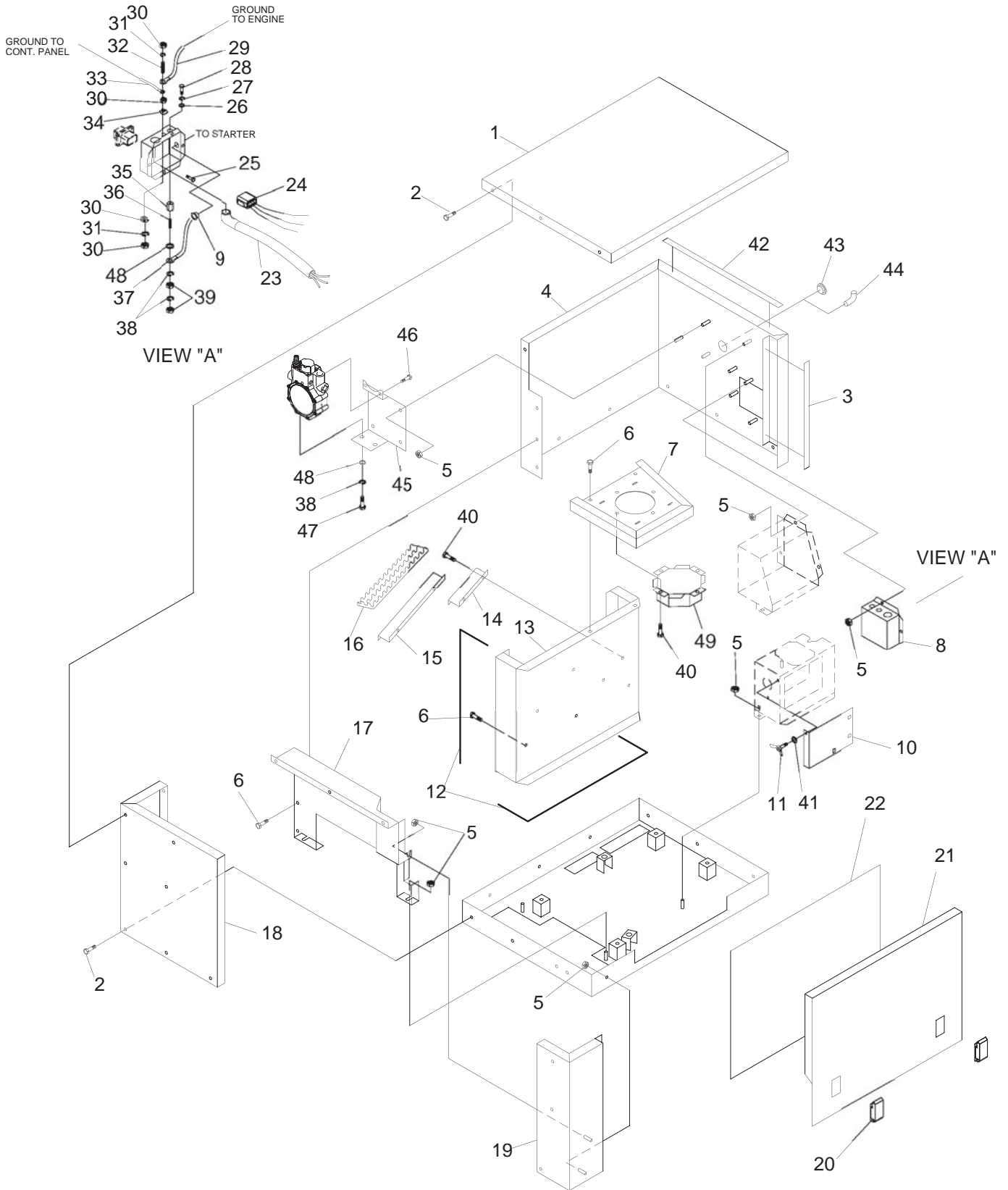


ITEM	PART NO.	QTY.	DESCRIPTION	ITEM	PART NO.	QTY.	DESCRIPTION
1	0E0196	1	FRAME, 760 ENGINE	31	0E0586	1	GASKET, BOTTOM AIR OUT QPRV
2	022129	12	WASHER LOCK M8-5/16	32	0D7176	4	WASHER SELF LOCKING 1"DIA 12GA
3	022145	15	WASHER FLAT 5/16-M8 ZINC	33	0E1334	1	SCREEN, BOTTOM AIR OUT
4	022259	6	NUT HEX 5/16-18 STEEL	34	0D8824	1	TRAY, V-TWIN RV
5	0C7758	4	VIB MNT 1.5 X 1.38 X 5/16-18	35	081105	2	NUT FLG 5/16-18 LOCK
6	0C3168	1	WASHER LOCK SPECIAL 5/16	36	073118	1	SCREW HHC 3/8-24 X 2-1/4 G8
7	0C2417	1	EARTH STRAP	37	046526	1	WASHER LOCK M10
8	077603	2	SCREW HHC 5/16-18 X 3.5 SPC	38	022131	1	WASHER FLAT 3/8-M10 ZINC
9	0E0588	1	SPACER, SAFETY BOLT .375 I.D.	39	0C2824	7	SCREW TAP-R #10-32 X 9/1
10	029451	1.5 FT.	TAPE ELEC UL FOAM 1/8 X 1/2	40	0E1077	1	BLOWER HOUSING GTV760 RV
11	0D8912	1	DUCT, AIR OUT	41	042633	1	SCREW HHC 3/8-24 X 1 G5
12	0E0571	2	GASKET,AIR OUT DUCT	42	022237	1	WASHER LOCK 3/8
13	0D8911	1	BRACKET, MUFFLER SUPPORT	43	049451	1	WASHER FLAT .406ID X 1.62OD
14	043107	7	SCREW HHC M8-1.25 X 25 G8.8	44	0C1441	1	SET,BLOWER HOUSING GASKET
15	0D9021	1	MUFFLER, GTV760 RV	45	0C1112	1	BELT,V-RIB 4LX42.5"
16	096289	1	CLAMP, EXHAUST 1.25"	46	023484E	1	BUSHING SNAP (GASOLINE ONLY)
17	0D8940	1	MANIFOLD, EXHAUST		0E1534	1	PLUG PLASTIC 0.687" (LP ONLY)
18	070006	4	WASHER LOCK M8 SS	47	0D7530	1	STUD, M6-1.0 OFFSET
19	070008	4	WASHER FLAT M8 SS	48	0D9723	1	ELEMENT AIR FILTER
20	040976	4	SCREW SHC M8-1.25 X 20 G12.9	49	0D4511	1	PRECLEANER,AIR GTH990 GASOLINE
21	056893	6	SCREW CRIMPTITE 10-24 X 1/2	50	0D8981	2	FILTER GASKET RV (GASOLINE ONLY)
22	023897	6	WASHER FLAT #10 ZINC		0D8981	1	FILTER GASKET RV (LP ONLY)
23	0E1078	2	GASKET, EXH BASE, GTV760 RV	51	0D8451	1	WASHER FLAT .281"ID X 1.25"OD
24	0C4138	2	GASKET,EXHAUST PORT	52	087680	2	NUT WING M6-1.0
25	043116	3	SCREW HHC M6-1.0 X 12 G8.8 (5.5 KW ONLY)	53	0D3700	3	NUT FLANGE M6-1.0 NYLOK (GASOLINE ONLY)
26	022097	4	WASHER LOCK M6-1/4 (5.5 KW ONLY)		0D3700	1	NUT FLANGE M6-1.0 NYLOK (LP ONLY)
	022097	1	WASHER LOCK M6-1/4 (6.5 & 7.5 KW ONLY)	54	087769	1	FILTER FUEL 1/8P-5/16H (GASOLINE ONLY)
27	022473	3	WASHER FLAT 1/4-M6 ZINC (5.5 KW ONLY)	55	0E0570	1	ASSEMBLY,NON SHTOFF FUEL PUMP (GASOLINE ONLY)
28	0C1751	1	FAN NYLON 7" DIA (5.5 KW ONLY)	56	0D9919	1	ASSEMBLY, RV V-TWIN FUEL LINE (GASOLINE ONLY)
29	0C1753B	1	PULLEY, ALTERNATOR 2200 RPM (5.5 KW ONLY)	57	0E1330	1	GROMMET, 38.1 DIA. CROSS SLIT (GASOLINE ONLY)
	073106B	1	PULLEY, ALTERNATOR 2500 RPM (6.5 & 7.5 KW ONLY)		0E1534A	1	PLUG PLASTIC 1.50" (LP ONLY)
30	075224A	1	PULLEY, ENGINE 2100 RPM (5.5 KW ONLY)	58	0A1658	1	WASHER LOCK SPECIAL 1/4"
	075224B	1	PULLEY, ENGINE 2500 RPM (6.5 & 7.5 KW ONLY)	59	0D5133	1	SCREEN, SPARK ARRESTOR
				60	0D5133A	1	RETAINER, SPARK ARREST SCREEN
				61	045764	1	SCREW HHTT M4-0.7 X 8 BP

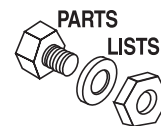


Section 11 – Exploded Views and Parts Lists

QUIETPACT 55, 65, and 75 Recreational Vehicle Generators Enclosure – Drawing No. 0E1011-B



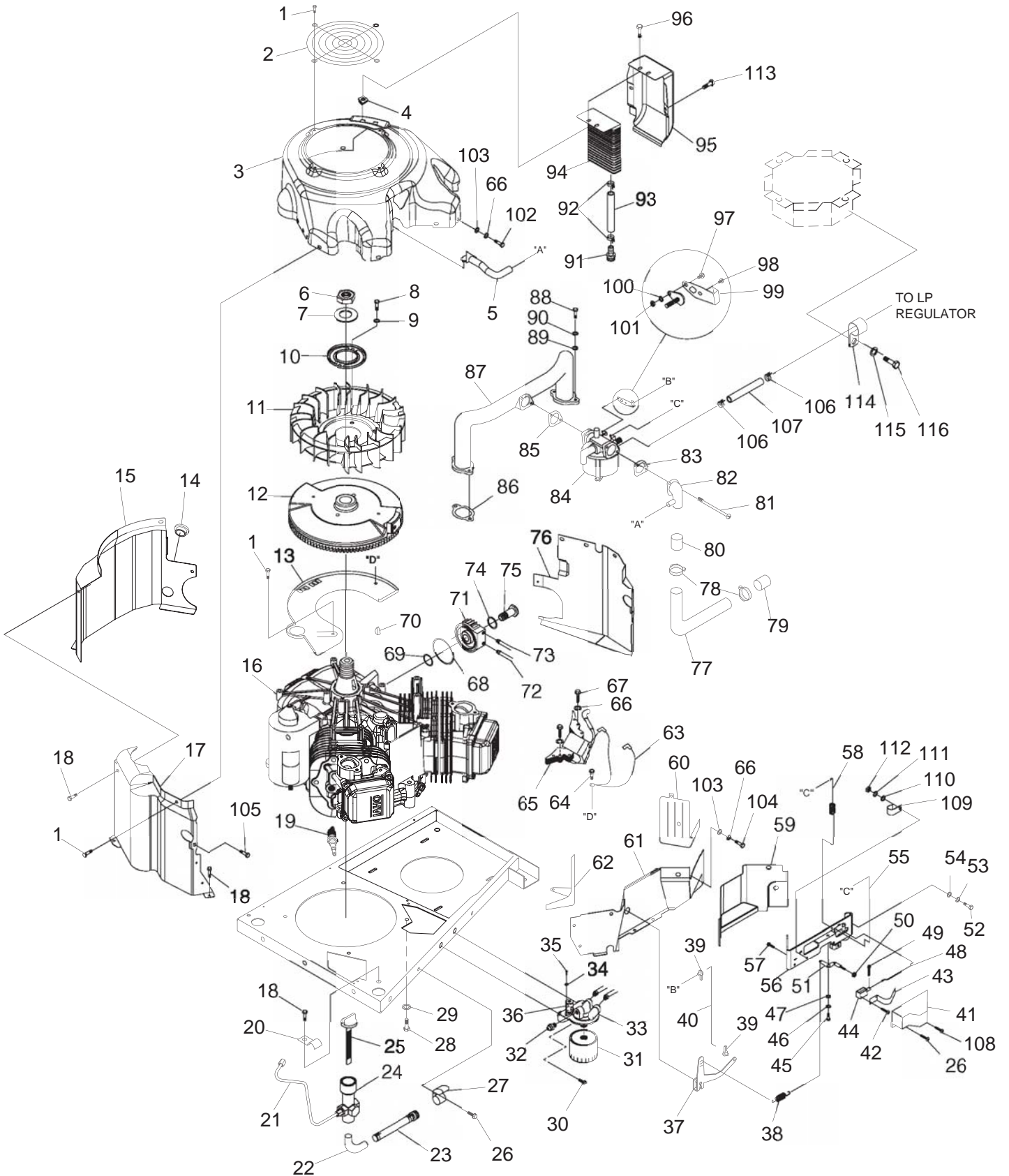
Section 11 – Exploded Views and Parts Lists
QUIETPACT 55, 65, and 75 Recreational Vehicle Generators
Enclosure – Drawing No. 0E1011-B



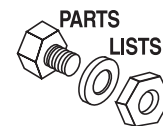
ITEM	PART NO.	QTY.	DESCRIPTION
1	0D8827	1	PANEL, ENCLOSURE ROOF
2	0A7215	22	SCREW SW 1/4-20X5/8 N WA JS500
3	029451	11.5 FT.	TAPE ELEC UL FOAM 1/8 X 1/2"
4	0D8825	1	PANEL, SIDE AND BACK ENCLOSURE
5	0D3700	14	NUT FLANGE M6-1.0 NYLOK (GASOLINE ONLY)
	0D3700	17	NUT FLANGE M6-1.0 NYLOK (LP ONLY)
6	090388	8	SCREW HHTT M6-1.0 X 12 YC
7	0D8979	1	PANEL, AIR IN DUCT BASE
8	0D8960	1	PANEL, CUSTOMER CONNECTION
9	023484D	1	BUSHING SNAP SB-875-11
10	0E0594	1	COVER, RV AIR CLEANER BOX
11	064113	1	STUD WINGNUT M6-1.0 X 20MM NY
12	0E0575	1	FOAM SEALING STRIP 1" X 12FT
13	0D8980	1	PANEL, AIR IN DUCT BACK
14	0E1376	1	BAFFLE, V-TWIN RV SHORT
15	0E1377	1	BAFFLE, V-TWIN RV LONG
16	0D8628	3.5	FOAM, AIR OUT COMPARTMENT
17	0D8910	1	PANEL, MUFFLER SHIELD
18	0D8826	1	PANEL, ENCLOSURE SIDE
19	0D9162	1	PANEL, FRONT & SIDE ENCLOSURE
20	0C5644	2	SLIDE LATCH,FLUSH
21	0D8828	1	PANEL, ENCLOSURE DOOR
22	0E0585	1	FOAM PANEL, DOOR 1/2"THK QP RV
23	0E1486	1	HARNESS, AC OUTPUT (5.5, 6.5, & 7.5 KW ONLY)
	0E1774	1	HARNESS, AC OUTPUT (5.0 & 7.0 KW-50 Hz ONLY)
24	0D9099	1	CUST. CONN. 4KW RV REMOTE
25	074908	4	SCREW HHTT M5-0.8 X 10 BP
26	022473	1	WASHER FLAT 1/4-M6 ZINC
27	022097	1	WASHER LOCK M6-1/4
28	022507	1	SCREW HHC 1/4-20 X 1/2 G5
29	0742600149	1	WIRE ASM. BATT. (NEG.) QP RV
30	0C7968	4	NUT HEX JAM 3/8-16 BRASS
31	022237	2	WASHER LOCK 3/8
32	0C7423	1	STUD 3/8-16 X 2-1/4 BRASS
33	0742600151	1	GND WIRE C/PNL TO STUD V-T RV
34	0A4456	1	WASHER LOCK SPECIAL 3/8
35	0D8502	1	NEUTRAL CONNETCTOR UL
36	0E0593	1	STUD, 1/4-20 TO 5/16-18
37	0742600148	1	WIRE ASM BATT. (POS.) QP RV
38	022129	2	WASHER LOCK M8-5/16 (GASOLINE ONLY)
	022129	4	WASHER LOCK M8-5/16 (LP ONLY)
39	022259	2	NUT HEX 5/16-18 STEEL
40	045756	8	SCREW HHTT M6-1.0 X 10 YC
41	0A2115	1	WASHER NYLON .250
42	029451A	6.5 FT.	TAPE, 1/2" X 1/16" CLOSED CELL
43	0E1534A	1	PLUG PLASTIC 1.50" (GASOLINE ONLY)
44	0A5606	1	ELBOW 90DEG 3/8X3/4 (LP ONLY)
45	0E1528	1	BRACKET, LP REGULATOR MOUNTING (LP ONLY)
46	0A1495	2	SCREW HHTT M4-0.7 X 10 BP (LP ONLY)
47	042907	2	SCREW HHC M8-1.25 X 16 G8.8 (LP ONLY)
48	022145	1	WASHER FLAT 5/16-M8 ZINC (GASOLINE ONLY)
	022145	3	WASHER FLAT 5/16-M8 ZINC (LP ONLY)
49	0D8979A	1	PANEL, AIR IN DUCT

Section 11 – Exploded Views and Parts Lists

**QUIETPACT 55, 65, and 75 Recreational Vehicle Generators
Sheet Metal – Drawing No. 0E1012-B**



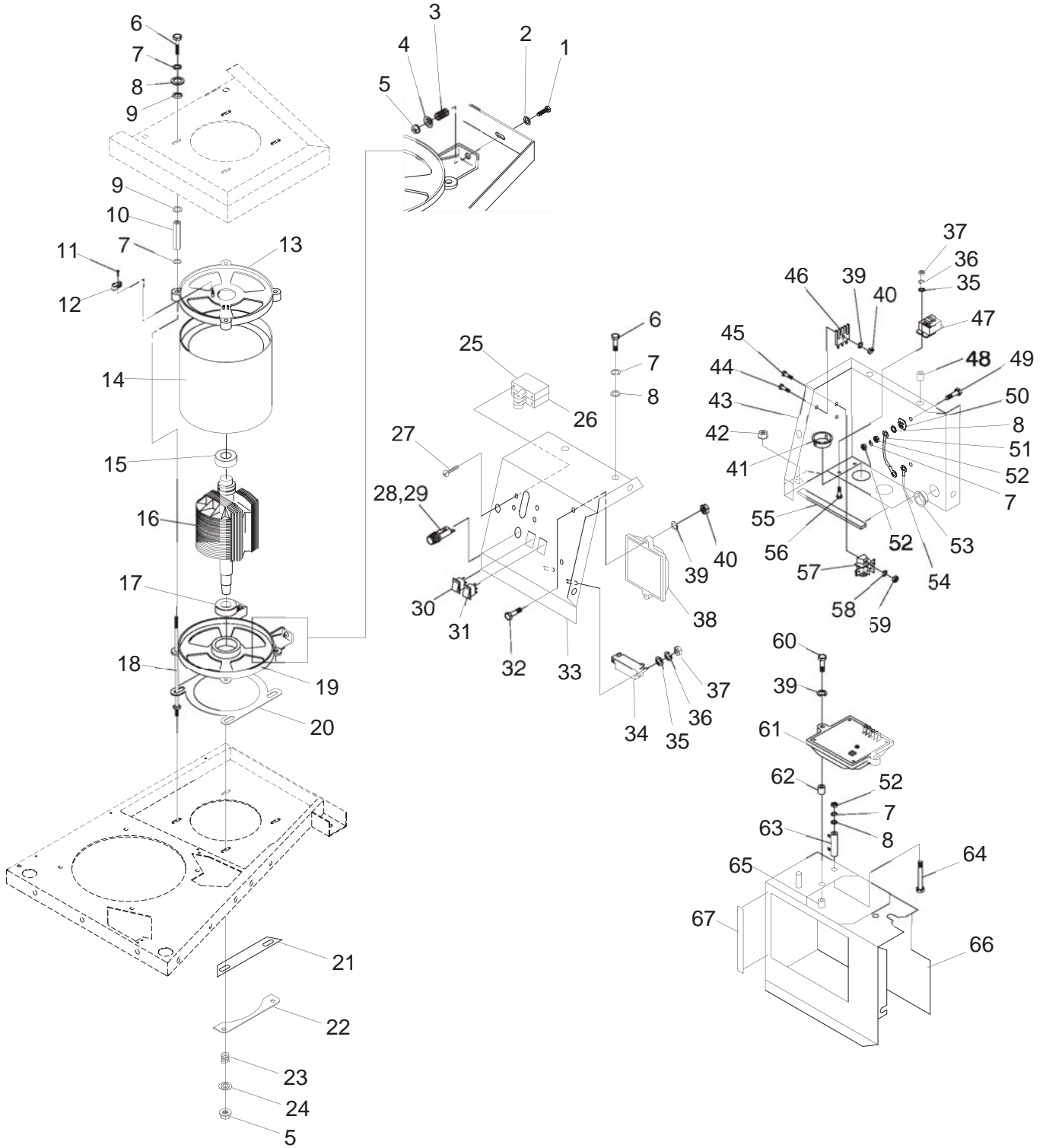
Section 11 – Exploded Views and Parts Lists
QUIETPACT 55, 65, and 75 Recreational Vehicle Generators
Sheet Metal – Drawing No. 0E1012-B



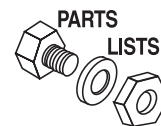
ITEM	PART NO.	QTY.	DESCRIPTION	ITEM	PART NO.	QTY.	DESCRIPTION
1	045756	15	SCREW HHTT M6-1.0 X 10 YC		0D9400	1	BRACKET, CHOKE (LP ONLY)
2	0D1131	1	GUARD,FAN 12KW HSB	57	0A7095	2	RHMS 4-40 X 5/16SEMS
3	0C3022G	1	HOUSING, BLOWER V-TWIN RV	58	0D9404	1	SPRING, CHOKE RETURN
4	0C9763	4	NUT,GROMMET 1/4 PLUG	59	0D9801A	1	WRAP, VALLEY UPPER SPCC
5	0D9782	1	HOSE, BREATHER	60	0C3018A	1	WRAPPER,UPR #1 W/ M8 WELD NUT
6	0C3034	1	NUT HEX M24-2.0 G8 YEL CHR	61	0D9680A	1	WRAP, VALLEY GTV760 RV SPCC
7	0C3033	1	WASHER,BELLEVILLE 25MM BOLT	62	0D1143A	1	WRAPPER,UPR #2 W/ M8 WELD NUT
8	051754	2	SCREW HHC M8-1.25 X 12 G8.8	63	0C3053	1	ASSY GROUND WIRE GV990
9	0A5992	2	WASHER SHAKEPROOF INT M8 SS	64	085011	1	INSULATOR ASM IGN
10	0C3032	1	PLATE, FAN GV-990	65	0D9852	2	ASSY,IGNITION COIL GT760 RV
11	0C3031	1	FAN NYLON GV-990	66	022097	8	WASHER LOCK M6-1/4
12	0C3725A	1	FLYWHEEL ASSY GT-990	67	092079	4	SCREW HHTT M6-1.0 X 25 BP
13	0C3016A	1	PLATE,BACKING GT990 W/OIL COOL	68	0C1546	1	O-RING 59.92 X 66.98 X 3.53MM
14	023484F	1	BUSHING SNAP SB-1000-12	69	0C1547	1	O-RING 21.89 X 27.13 X 2.62MM
15	0D9679A	1	WRAP, CRANKCASE GTV760 RV SPCC	70	082774	1	KEY, WOODRFF 4 X 19D
16	0D9708	1	GT760 VERTICAL SHAFT RV ENGINE	71	0A5358	1	ADPTR OIL PAD, FLARE
17	0D9681A	1	WRAP, CYL 1 GTV760 RV SPCC	72	0D9312	1	TUBE, ENGINE OIL RETURN
18	056893	13	SCREW CRIMPTITE 10-24 X 1/2	73	0D9314	1	TUBE, ENGINE OIL OUT
19	072347	2	SPARK PLUG	74	0C1557	1	O-RING 20.35 X 23.91 X 1.78MM
20	0E0998	1	CLAMP VINYL 9.5 O.D. TUBE	75	0A9028	1	BOLT, OIL ADAPTOR
21	0D8384	1	TUBE, OIL DRAIN & CHECK	76	0D9682A	1	WRAP, CYL 2 GTV760 RV SPCC
22	043790A	1	BARBED EL 90 3/8NPT X 3/8 VS	77	0D9270	1	INTAKE TUBE 1.25" X 20 GA
23	0D3083	1	ASSEMBLY, OIL DRAIN HOSE	78	048031A	2	HOSE CLMP-BAND 1 5/8
24	0E0361A	1	OIL DRAIN / DIPSTICK TUBE VTW	79	0D9269	1	BOOT, INTAKE AIRBOX
25	0E0393	1	ASSEMBLY, CAP & DIP STICK	80	0E0142	1	BOOT, CARB ADAPTOR
26	0C2824	2	SCREW TAP-R #10-32 X 9/16 (GASOLINE ONLY)	81	078643B	2	BOLT,CARB MOUNT M6 X 1.0 -85LG
	0C2824	1	SCREW TAP-R #10-32 X 9/16 (LP ONLY)	82	0D9219	1	ADAPTER, AIR INTAKE CARB
27	065852	1	SPRING CLIP HOLDER .37-.62	83	0E0573	1	GASKET,CARB TO ADAPTOR
28	075246	4	SCREW HHTT 3/8-16 X 1-1/4 CZ	84	0D8807	1	CARBURETOR, GT-760 (GASOLINE ONLY)
29	0A4456	1	WASHER LOCK SPECIAL 3/8		0E1217	1	CARBURETOR, GT-760 (LP ONLY)
30	0A2311	2	SCREW SWAGE 1/4-20 X 1 Z/YC	85	0E0572	1	GASKET,CARB TO INTAKE MANIFOLD
31	070185	1	FILTER, OIL D 69X64 LG	86	0C3043	2	GASKET INTAKE PORT GT990
32	0A8584	1	SWITCH OIL PRESSURE HOBBS	87	0D8836	1	MANIFOLD, INTAKE 760 RV
33	0A5360	1	SUPPORT OIL FLTR,FLARE	88	049821	4	SCREW SHC M8-1.25 X 30 G12.9
34	043182	2	WASHER LOCK M3	89	070008	4	WASHER FLAT M8 SS
35	0C1085	2	SCREW PPHM M3-0.5 X 8	90	070006	4	WASHER LOCK M8 SS
36	0E1497	1	SWITCH, OIL HIGH TEMP (GASOLINE ONLY)	91	035461A	2	BARBED STR 1/4NPT X 3/8 W/VS
	075281	1	SWITCH, OIL HIGH TEMP (LP ONLY)	92	040173	4	CLAMP HOSE #5.5 .62 - .62
37	0D9399	1	ASSEMBLY, GOVERNOR LEVER	93	0C9806	2	HOSE,3/8"IDX6"L 300F
38	0D9513	1	SPRING, GOV.(5.5 KW & 5.0 KW-50HZ ONLY)	94	0C3026	1	COOLER, OIL GV-990
	0E1498	1	SPRING, GOV.(6.5/7.5 KW & 7.0 KW-50HZ ONLY)	95	0D9683A	1	DUCT, OIL CLR GTV760 RV SPCC
39	0D1366	2	BUSHING, GOVERNOR ROD	96	0C9764	4	PLASTITE,1/4-15 X 3/4
40	0D9395	1	ROD, GOVERNOR	97	036933	1	SCREW PPHM #10-32 X 3/8
41	077075	1	BOOT CHOKE SOLENOID (GASOLINE ONLY)	98	0E0246	1	SCREW HHTT #4-40 X 1/4
42	0A7094	2	RHMS 4-40 X 1/4 SEMS (GASOLINE ONLY)	99	0D9394	1	PLATE, THROTTLE
43	0D8590	1	ASSY, BI-METAL/HEATER (GASOLINE ONLY)	100	022152	1	WASHER LOCK #10
44	0D8591	1	SOLENOID, CHOKE (GASOLINE ONLY)	101	022158	1	NUT HEX #10-32 STEEL
45	045770	1	SCREW HHC M5-0.8 X 10 G8.8	102	043116	2	SCREW HHC M6-1.0 X 12 G8.8
46	049226	1	WASHER LOCK M5	103	049811	4	WASHER FLAT M6
47	051713	1	WASHER FLAT M5	104	047411	2	SCREW HHC M6-1.0 X 16 G8.8
48	0D9402	1	LINKAGE, CHOKE SOLENOID/BELLCRNK (GASOLINE ONLY)	105	066849B	2	SCREW HHTT M5-0.8 X 8 BP
49	077091	1	COTTER PIN (GASOLINE ONLY)	106	057822	2	CLAMP HOSE #8 .53 - 1.00 (LP ONLY)
50	082025	1	NUT LOCK HEX M5-0.8 SS NYL INS	107	074994	2.25 FT.	HOSE 1/2 ID (LP ONLY)
51	0E1247	1	ASSEMBLY, GOV. ADJUSTMENT	108	075476	1	SCREW PPHM M4-0.7 X 16 (GASOLINE ONLY)
52	055173	2	SCREW HHC M8-1.25 X 20 G10.9	109	082121A	1	CLIP-J VINYL COAT .375 ID (GASOLINE ONLY)
53	022129	2	WASHER LOCK M8-5/16	110	038150	1	WASHER FLAT #8 (GASOLINE ONLY)
54	022145	2	WASHER FLAT 5/16-M8 ZINC	111	022264	1	WASHER LOCK #8 (GASOLINE ONLY)
55	0D9403	1	LINKAGE CHOKE BELLCRANK/CARB	112	051715	1	NUT HEX M4-0.7 G8 YC (GASOLINE ONLY)
56	0E1246	1	ASSEMBLY, CHOKE BRACKET (GASOLINE ONLY)	113	0D6029	2	SCREW HHTT M6-1.0 X 16 YC
				114	055934D	1	CLAMP VINYL 1.06 X .406 (LP ONLY)
				115	022473	1	WASHER FLAT 1/4-M6 (LP ONLY)
				116	090388	1	SCREW HHTT M6-1.0 X 12 (LP ONLY)

Section 11 – Exploded Views and Parts Lists

**QUIETPACT 55, 65, and 75 Recreational Vehicle Generators
Control Panel – Drawing No. 0E1013-A**



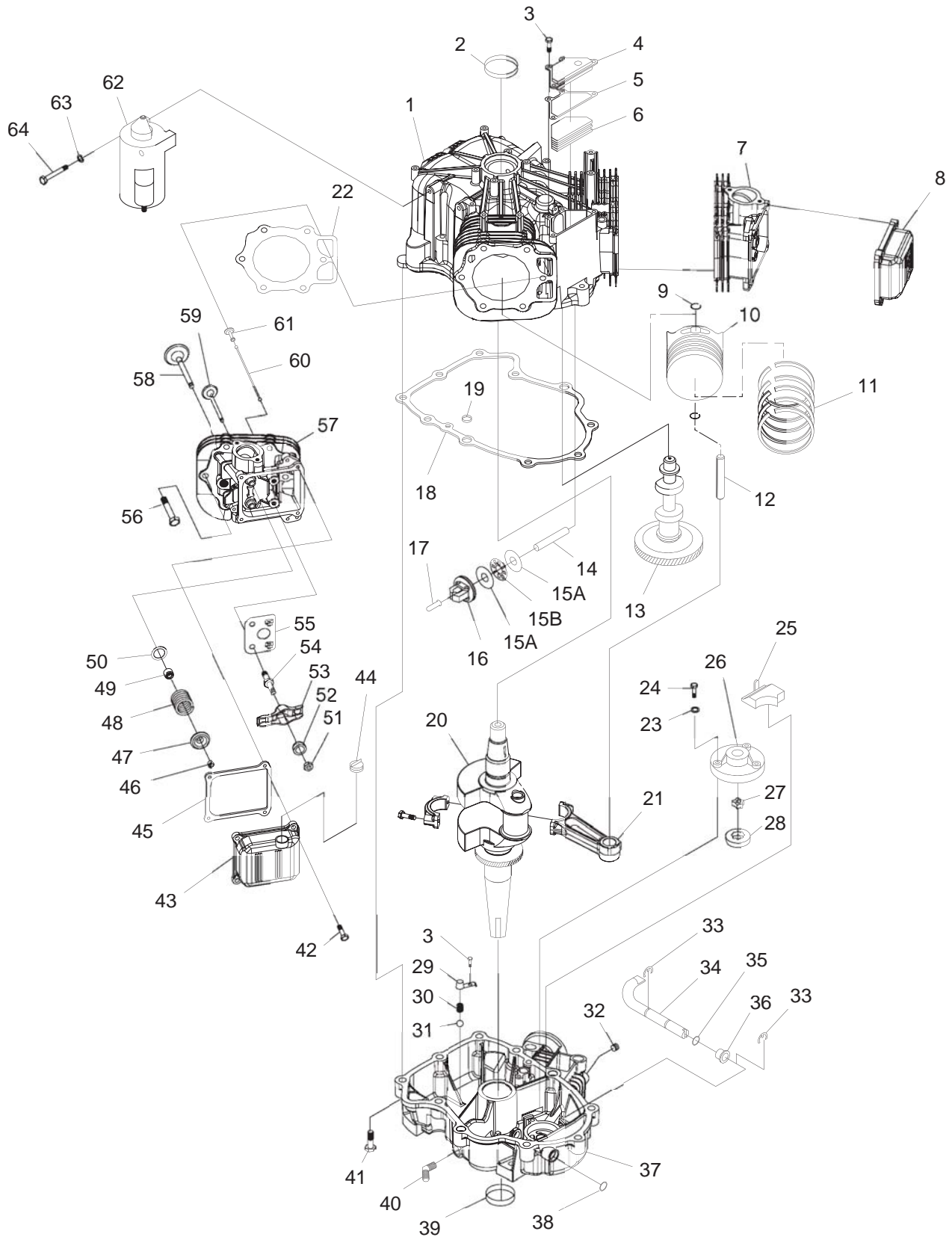
Section 11 – Exploded Views and Parts Lists
QUIETPACT 55, 65, and 75 Recreational Vehicle Generators
Control Panel – Drawing No. 0E1013-A



ITEM	PART NO.	QTY.	DESCRIPTION	ITEM	PART NO.	QTY.	DESCRIPTION
1	0C2375	2	SCREW HHC M8-1.25 X 90 G8.8	34	054502	1	CIRCUIT BREAKER 3 X 1
2	022145	2	WASHER FLAT 5/16-M8 ZINC	35	031879	4	WASHER FLAT #4 ZINC
3	029459	2	TENSION SPRING	36	043182	4	WASHER LOCK M3
4	075215	2	WASHER, SPRING CENTER	37	051714	4	NUT HEX M3-0.5 G8 YEL CHR
5	052858	6	NUT LOCK FL M8-1.25	38	092234	1	ASSY POTTED RV CNTL
6	047411	7	SCREW HHC M6-1.0 X 16 G8.8	39	049226	5	WASHER LOCK M5
7	022097	13	WASHER LOCK M6-1/4	40	051716	3	NUT HEX M5-0.8 G8 YEL CHR
8	022473	10	WASHER FLAT 1/4-M6 ZINC	41	023484R	2	BUSHING SNAP
9	080925	8	WASHER NYLON .404	42	0D3700	1	NUT FLANGE M6-1.0 NYLOK
10	0D9921	4	STANDOFF, 1/2" HEX	43	0D9378	1	PANEL, BOTTOM CONTROL
11	066849	2	SCREW HHTT M5-0.8 X 16	44	052619	1	SCREW HHC M5-0.8 X 20 G8.8
12	066386	1	ASSY, BRUSH HOLDER	45	075476	2	SCREW PPHM M4-0.7 X 16
13	0C9674	1	BEARING CARRIER, UP	46	065795	1	RECTIFIER-BATTERY CHARGE
14	0E0363H	1	STATOR ASSEMBLY (5.5 KW ONLY)	47	0C2174	1	RELAY 12V 25A SPST
	0E0364H	1	STATOR ASSEMBLY (6.5 KW ONLY)	48	092120	4	NUT LOCK TRIC M6 X 1.0 Y/ZNC
	0E0362H	1	STATOR ASSEMBLY (7.5 KW ONLY)	49	049721	2	SCREW HHC M6-1.0 X 35 G8.8 BLK
15	073159	1	BEARING BALL	50	0A1658	2	WASHER LOCK SPECIAL 1/4"
16	077005H	1	ROTOR ASSEMBLY (5.5 KW ONLY)	51	074260-146	1	WIRE ASM GRD STD CONN.
	077004H	1	ROTOR ASSEMBLY (6.5 KW ONLY)	52	049813	4	NUT HEX M6 X 1.0 G8 YEL CHR
	073163H	1	ROTOR ASSEMBLY (7.5 KW ONLY)	53	023484D	1	BUSHING SNAP
17	031971	1	BEARING	54	074260-151	1	GROUND WIRE C/PNL TO STUD V-T RV
18	077006	4	STUD, RV STATOR D/C	55	084867	1	RUBBER U-CHANNEL
19	0C9675	1	BEARING CARRIER, LOW	56	043181	2	SCREW PHM M3-0.5 X 10MM
20	0A5351	1	NYLON SLIDE	57	075210A	1	BLOCK 1 POSITION
21	073146	2	SLIDE, NYLON	58	022264	2	WASHER LOCK #8-M4
22	0C1878	2	SUPPORT, SLIDE	59	051715	2	NUT HEX M4-0.7 G8 YEL CHR
23	075242	4	SPRING, GEN. MOUNT	60	0C7605	2	SCREW HHC M5-0.8 X 60 G8.8
24	075237	4	WASHER, SPRING CENTER	61	083049	1	ASY POTTED REG W/FIN
25	090145	1	CIRCUIT BREAKER 30 X 1 (5.5 & 6.5 KW ONLY)	62	089047	2	SPACER .25 X .43 X .55 ST/ZNC
	0E1529	1	CIRCUIT BREAKER 35 X 1 (7.5 KW ONLY)	63	075234	1	RESISTOR WW LUG 1R 5% 25W
26	090144	1	CIRCUIT BREAKER 20 X 1 (5.5 KW ONLY)	64	0A2053	1	SCREW HHC M6-1.0 X 65 G8.8
	090145	1	CIRCUIT BREAKER 30 X 1 (6.5 KW ONLY)	65	058000K	2	NUT TRIC M5 X .8
	0E1529	1	CIRCUIT BREAKER 35 X 1 (7.5 KW ONLY)	66	0D8941	1	COMPARTMENT, AIR BOX
27	025105	4	SCREW RHM 6-32 X 1/4 SIMS	67	029451A	2.3 FT.	TAPE, 1/2" X 1/16" CLOSED CELL
28	0A9611	1	FUSE 7.5 AMP	68	0E0583	1	WIRE HARNESS, QP RV (GASOLINE ONLY)(NOT SHOWN)
29	032300	1	HOLDER FUSE		0E1812	1	WIRE HARNESS, QP RV (LP ONLY) (NOT SHOWN)
30	092113	1	SWITCH SPDT ON-MOM-ON	69	0E1375	1	WIRE ASS'Y STARTER TO C/PNL (NOT SHOWN)
31	087798	1	SWITCH 6A SPDT				
32	055440	2	SCREW HHC M5-0.8 X 25 G8.8				
33	0D9377	1	PANEL, TOP CONTROL				

Section 11 – Exploded Views and Parts Lists

**QUIETPACT 55, 65, and 75 Recreational Vehicle Generators
760 V-Twin Engine – Drawing No. 0E1014-B**

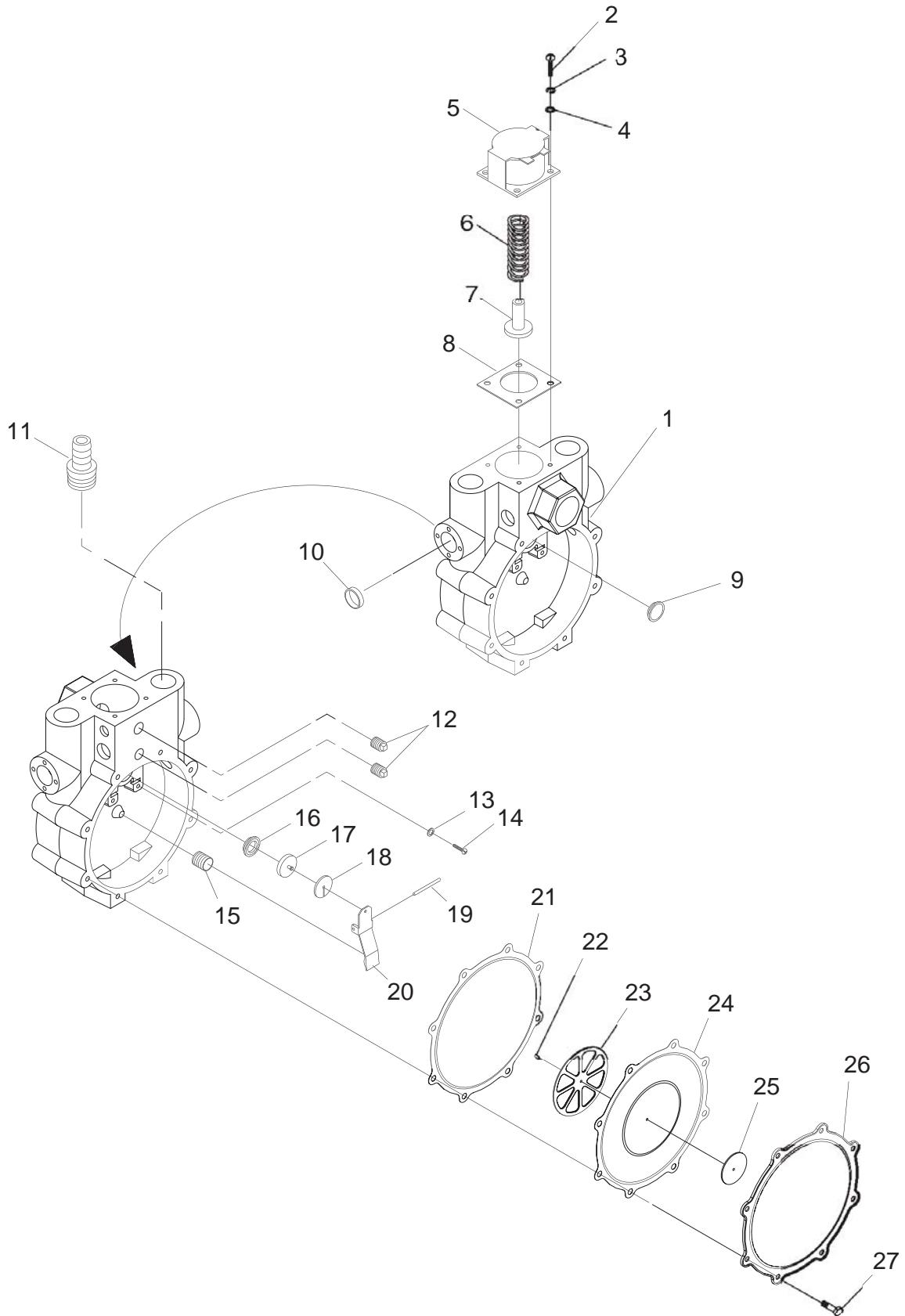


Section 11 – Exploded Views and Parts Lists
QUIETPACT 55, 65, and 75 Recreational Vehicle Generators
760 V-Twin Engine – Drawing No. 0E1014-B

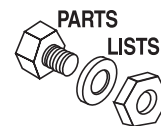


ITEM	PART NO.	QTY.	DESCRIPTION	ITEM	PART NO.	QTY.	DESCRIPTION
1	0C5730A	1	ASSEMBLY, CRANKCASE RV	33	0C2991	2	E-RING, GOVERNOR ARM
2	0C3008	1	SEAL, 38 I.D. CRANKCASE	34	0D1667A	1	ARM, GOVERNOR
3	090388	6	SCREW, HHTT M6-1.0 X 12mm	35	0C2988	1	THRUST WASHER, GOVERNOR
4	0C5372	1	ASSEMBLY, BREATHER	36	0C2992	1	BUSHING, GOVERNOR LOWER
5	0C3005	1	GASKET, BREATHER COVER	37	0C5732	1	ASSEMBLY, SUMP WITH SLEEVE
6	0C3003	3	SEPARATOR, OIL BREATHER	38	0C2993	1	SEAL, GOVERNOR SHAFT
7	0D8067A	1	ASSEMBLY, HEAD #1	39	0C3007	1	SEAL, 42 I.D. CRANKSHAFT
8	0C2981C	1	COVER, ROCKER	40	0D9756	1	CONNECTOR, 3/8NPT TO INVTD FLR 3/8OD
9	071983	4	RETAINER, PISTON PIN 20	41	0C3006	10	SCREW, HHFC M10-1.5 X 55mm
10	0C5848	2	PISTON, HC	42	0C8566	8	SCREW HHFC M6-1.0 X 20mm
11	021533	2	SET, PISTON RING 90mm	43	0C2982	1	COVER, ROCKER WITH OIL FILL
12	071980	2	PIN , PISTON D20	44	093064	1	ASSEMBLY, OIL FILL CAP
13	0D4041	1	ASSEMBLY, CAMSHAFT & GEAR	45	0C2979	2	GASKET, VALVE COVER
14	0C2983	1	SHAFT, GOVERNOR	46	086515	8	KEEPER, VALVE SPRING
15A	0C2985A	2	ROLLER BEARING, GOVERNOR PLATE	47	0D2274	4	RETAINER, VALVE SPRING
15B	0C2985B	1	ROLLER BEARING, GOVERNOR	48	0D3867	4	SPRING, VALVE
16	0D4042	1	ASSEMBLY, GOVERNOR GEAR	49	078672	2	SEAL, VALVE STEM D7
17	0A7811	1	SPOOL, GOVERNOR MACHINED	50	0C5371	4	WASHER, VALVE SPRING
18	0C2977	1	GASKET, CRANK CASE	51	0D5326	4	NUT, JAM ROCKER ARM
19	0C5943	1	SEAL, OIL PASSAGE	52	0D5354	4	PIVOT, ROCKER ARM
20	0D4122A	1	ASSEMBLY, CRANKSHAFT	53	0D5313	4	ROCKER ARM
21	0D3961	2	ASSEMBLY, CONNECTING ROD	54	0D6023	4	STUD, ROCKER ARM M8-1.0 x 57mm
22	0C2978	2	GASKET, HEAD	55	0D6024	2	PLATE, PUSH ROD GUIDE
23	093873	3	WASHER, LOCK RIB M6	56	0C2976	12	SCREW HHFC M8-1.25 X 65mm
24	021374	3	SCREW, SHC M6-1.0 X 30mm	57	0D8067B	1	ASSEMBLY, HEAD #2
25	0C2994	1	SCREEN, OIL PICKUP	58	0C2229	2	VALVE, INTAKE
26	0C2997	1	COVER, GEROTOR	59	086516	2	VALVE, EXHAUST
27	0C2995	1	GEROTOR, INNER	60	0D9853D	4	PUSHROD 147
28	0C2996	1	GEROTOR, OUTER	61	083897	4	TAPPET, SOLID
29	0C3011	2	COVER, OIL RELIEF	62	0C3017	1	STARTER, V-TWIN ENGINE
30	0C3009	2	SPRING, OIL RELIEF	63	022129	2	WASHER LOCK M8
31	0C3010	2	BALL, 1/2D OIL RELIEF	64	061906	2	SCREW, HHC M8-1.25 X 85mm
32	050873A	1	1/4" NPT PIPE PLUG				

Section 11 – Exploded Views and Parts Lists
QUIETPACT 55, 65, and 75 Recreational Vehicle Generators
LP Regulator – Drawing No. 0E1530



Section 11 – Exploded Views and Parts Lists
QUIETPACT 55, 65, and 75 Recreational Vehicle Generators
LP Regulator – Drawing No. 0E1530



ITEM	PART NO.	QTY.	DESCRIPTION
1	0D5694	1	CASTING, TWIN REGULATOR HOUSING
2	075475	4	SCREW PPHM M4-0.7 X 10
3	022264	4	WASHER LOCK #8-M4
4	043180	4	WASHER FLAT M4
5	0C5765	1	SOLENOID, TWIN REGULATOR
6	0C6070	1	SPRING-SOLENOID PLUNGER
7	0C4680	1	PLUNGER LP REG. ASSY
8	0C4647	1	GASKET, SOLENOID
9	0C4643	1	INLET, TWIN REGULATOR NO HOLE
10	0D3973	1	PLUG, EXPANSION 16MM TWINREG
11	0C6606	1	BARBED STR 1/2 X 1/2NPT W/VS
12	026073	2	PLUG STD PIPE 1/8 STEEL SQ HD
13	0D3308	2	WASHER FLAT 3.2MM ID X 10MM OD
14	070728	2	SCREW PFILHM M3-0.5 X 5
15	0C5764	1	SPRING, REGULATOR 45N/M 32MM
16	0C4643A	1	INLET, TWIN REG 11.11 DIA.
17	0C6066	1	SEAL, INLET REGULATOR
18	0C5968	1	SUPPORT, INLET SEAL
19	0C5759	1	PIN, PIVOT ARM
20	0C5761	1	LEVER, REGULATOR
21	0C6069	1	GASKET, DIAPHRAGM
22	0C6731	1	RIVET .118 X .125 ALUMINUM
23	0C6067	1	SUPPORT, DIAPHRAGM
24	0C4706	1	DIAPHRAGM, TWIN REGULATOR
25	0C6068	1	CAP, DIAPHRAGM SUPPORT
26	0C5762	1	COVER, TWIN REGULATOR
27	045764	8	SCREW HHTT M4-0.7 X 8 BP



Section 12 – Warranty

QUIETPACT 55, 65, and 75 Recreational Vehicle Generators

CALIFORNIA AND FEDERAL EMISSION CONTROL WARRANTY STATEMENT

YOUR WARRANTY RIGHTS AND OBLIGATIONS

The California Air Resources Board (CARB) and the United States Environmental Protection Agency (EPA), together with Generac Power Systems, Inc. (Generac), are pleased to explain the Emission Control System Warranty on your new engine.* New utility, and lawn and garden equipment engines must be designed, built and equipped to meet stringent anti-smog standards for the state of California and the federal government. Generac will warrant the emission control system on your engine for the periods of time listed below provided there has been no abuse, neglect, unapproved modification or improper maintenance of your engine.

Your emission control system may include parts such as the carburetor, ignition and exhaust systems. Generac will repair your engine at no cost to you for diagnosis, replacement parts and labor, should a warrantable condition occur.

MANUFACTURER'S EMISSION CONTROL SYSTEM WARRANTY COVERAGE:

Emissions control systems on 1997 and later model year engines are warranted for two years as hereinafter noted. If, during such warranty period, any emission-related component or system on your engine is found to be defective in materials or workmanship, repairs or replacement will be performed by a Generac Authorized Warranty Service Facility.

PURCHASER'S/OWNER'S WARRANTY RESPONSIBILITIES:

As the engine purchaser/owner, you are responsible for the completion of all required maintenance as listed in your factory supplied Owner's Manual. For warranty purposes, Generac recommends that you retain all receipts covering maintenance on your engine. However, Generac cannot deny warranty solely because of the lack of receipts or for your failure to ensure the completion of all scheduled maintenance.

As the engine purchaser/owner, you should, however, be aware that Generac may deny any and/or all warranty coverage or responsibility if your engine, or a part/component thereof, has failed due to abuse, neglect, improper maintenance or unapproved modifications, or the use of counterfeit and/or 'grey market' parts not made, supplied or approved by Generac.

You are responsible for presenting your engine to a Generac Authorized Warranty Service Facility as soon as a problem occurs. The warranty repairs should be completed in a reasonable amount of time, not to exceed 30 days.

Warranty service can be arranged by contacting either your selling dealer or a Generac Authorized Warranty Service Facility. To locate the Generac Authorized Warranty Service Facility nearest you, call our toll-free number:

1-800-333-1322

IMPORTANT NOTE: This warranty statement explains your rights and obligations under the Emission Control System Warranty (ECS Warranty), which is provided to you by Generac pursuant to California and federal law. See also the "Generac Limited Warranties for Generac Power Systems, Inc.," which is enclosed herewith on a separate sheet, also provided to you by Generac. The ECS Warranty applies only to the emission control system of your new engine. If there is any conflict in terms between the ECS Warranty and the Generac Warranty, the ECS Warranty shall apply except in circumstances where the Generac Warranty may provide a longer warranty period. Both the ECS Warranty and the Generac Warranty describe important rights and obligations with respect to your new engine.

Warranty service can be performed only by a Generac Authorized Warranty Service Facility. When requesting warranty service, evidence must be presented showing the date of the sale to the original purchaser/owner. The purchaser/owner shall be responsible for any expenses or other charges incurred for service calls and/or transportation of the product to/from the inspection or repair facilities. The purchaser/owner also shall be responsible for any and/or all damages or losses incurred while the engine is being transported/shipped for inspection or warranty repairs.

If you have any questions regarding your warranty rights and responsibilities, you should contact Generac at the following address:

**ATTENTION WARRANTY DEPARTMENT
GENERAC POWER SYSTEMS, INC.
P.O. BOX 297
WHITEWATER, WI 53190**

Part 1



EMISSION CONTROL SYSTEM WARRANTY

Emission Control System Warranty (ECS Warranty) for 1997 and later model year engines:

- (a) **Applicability:** This warranty shall apply to 1997 and later model year engines. The ECS Warranty Period shall begin on the date the new engine or equipment is purchased by/delivered to its original, end-use purchaser/owner and shall continue for 24 consecutive months thereafter.
- (b) **General Emissions Warranty Coverage:** Generac warrants to the original, end-use purchaser/owner of the new engine or equipment, and to each subsequent purchaser/owner, that each of its engines is ...
- (1) Designed, built and equipped so as to conform with all applicable regulations adopted by the EPA and CARB pursuant to their respective authority, and
 - (2) Free from defects in materials and workmanship which, at any time during the ECS Warranty Period, may cause a warranted emissions-related part to fail to be identical in all material respects to the part as described in the engine manufacturer's application for certification.
- (c) The ECS Warranty only pertains to emissions-related parts on your engine, as follows:
- (1) Any warranted, emissions-related parts that are not scheduled for replacement as required maintenance in the Owner's Manual shall be warranted for the ECS Warranty Period. If any such part fails during the ECS Warranty Period, it shall be repaired or replaced by Generac according to Subsection (4) below. Any such part repaired or replaced under the ECS Warranty shall be warranted for the remainder of the ECS Warranty Period.
 - (2) Any warranted, emissions-related part that is scheduled only for regular inspection as specified in the Owner's Manual shall be warranted for the ECS Warranty Period. A statement in such written instructions to the effect of "repair or replace as necessary" shall not reduce the ECS Warranty Period. Any such part repaired or replaced under the ECS Warranty shall be warranted for the remainder of the ECS Warranty Period.
 - (3) Any warranted, emissions-related part that is scheduled for replacement as required maintenance in the Owner's Manual shall be warranted for the period of time prior to the first scheduled replacement point for that part. If the part fails prior to the first scheduled replacement, the part shall be repaired or replaced by Generac according to Subsection (4) below. Any such emissions-related part repaired or replaced under the ECS Warranty shall be warranted for the remainder of the ECS Warranty Period prior to the first scheduled replacement point for such emissions-related part.
 - (4) Repair or replacement of any warranted, emissions-related part under this ECS Warranty shall be performed at no charge to the owner at a Generac Authorized Warranty Service Facility.
 - (5) When the engine is inspected by a Generac Authorized Warranty Service Facility, the owner shall not be held responsible for diagnostic costs if the repair is deemed warrantable.
 - (6) Generac shall be liable for damages to other original engine components or approved modifications proximately caused by a failure under warranty of any emission-related part covered by the ECS Warranty.
 - (7) Throughout the ECS Warranty Period, Generac shall maintain a supply of warranted emission-related parts sufficient to meet the expected demand for such emission-related parts.
 - (8) Any Generac authorized and approved emission-related replacement part may be used in the performance of any ECS Warranty maintenance or repairs and will be provided without charge to the purchaser/owner. Such use shall not reduce Generac's ECS Warranty obligations.
 - (9) Unapproved, add-on, modified, counterfeit and/or 'grey market' parts may not be used to modify or repair a Generac engine. Such use voids this ECS Warranty and shall be sufficient grounds for disallowing an ECS Warranty claim. Generac shall not be held liable hereunder for failures of any warranted parts of a Generac engine caused by the use of such an unapproved, add-on, modified, counterfeit and/or 'grey market' part.

EMISSION RELATED PARTS INCLUDE THE FOLLOWING:

- | | |
|---|--|
| <ol style="list-style-type: none"> 1) Fuel Metering System: <ol style="list-style-type: none"> 1.1) Gasoline carburetor assembly and its internal components (if so equipped). <ol style="list-style-type: none"> a) Fuel filter (if so equipped) b) Carburetor gaskets c) Fuel pump (if so equipped) 1.2) LPG carburetion assembly and its internal components (if so equipped). <ol style="list-style-type: none"> a) Fuel controller (if so equipped) b) Mixer and its gaskets (if so equipped) c) Carburetor and its gaskets (if so equipped) d) Primary gas regulator (if so equipped) e) LP liquid vaporizer (if so equipped) | <ol style="list-style-type: none"> 2) Air Induction System including: <ol style="list-style-type: none"> a) Intake pipe/manifold b) Air cleaner 3) Ignition System including: <ol style="list-style-type: none"> a) Spark plug b) Ignition module 4) Catalytic Muffler Assembly (if so equipped) including: <ol style="list-style-type: none"> a) Muffler gasket b) Exhaust manifold 5) Crankcase Breather Assembly including: <ol style="list-style-type: none"> a) Breather connection tube |
|---|--|

*Generac engine types covered by this warranty statement include the following:

- 1) Utility
- 2) Lawn and Garden Equipment
- 3) Recreational Vehicle (RV) Generator
- 4) Industrial Mobile (IM) Generator



Section 12 – Warranty

QUIETPACT 55, 65, and 75 Recreational Vehicle Generators

GENERAC POWER SYSTEMS' THREE-YEAR LIMITED WARRANTY FOR RECREATIONAL VEHICLE GENERATORS

NOTE: ALL UNITS MUST BE INSTALLED BY GENERAC POWER SYSTEMS AUTHORIZED SERVICE FACILITIES. For a period of 3 (three) years or 2,000 (two thousand) hours of operation from the date of original sale, whichever occurs first, Generac Power Systems, Inc. (Generac) will, at its option, repair or replace any part which, upon examination, inspection and testing by Generac or a Generac Authorized Warranty Service Facility, is found to be defective under normal use and service, in accordance with the warranty schedule set forth below. Any equipment that the purchaser/owner claims to be defective must be returned to and examined by the nearest Generac Authorized Warranty Service Facility. All transportation costs under the warranty, including return to the factory, are to be borne and prepaid by the purchaser/owner. This warranty applies only to Generac generators sold and rated for "Recreational Vehicle" (RV) applications, as Generac has defined Recreational Vehicle generator applications. This warranty is effective only upon Generac's receipt, from the original purchaser/owner, of a completed Warranty Registration Card. This card is the only valid registration identification and must be presented at time of request for warranty service. Claims will not be accepted without presentation of the Warranty Registration Card. The factory recommends exercising the unit one half-hour every season.

WARRANTY SCHEDULE – COMMERCIAL APPLICATIONS

YEAR ONE – 100% (one hundred percent) coverage on part(s), labor, removal and reinstallation listed:

- **Engine** – All components
- **Alternator** – All components

WARRANTY SCHEDULE – CONSUMER/PERSONAL APPLICATIONS

YEARS ONE AND TWO – 100% (one hundred percent) coverage on part(s), labor, removal and reinstallation listed:

- **Engine** – All components
- **Alternator** – All components

YEAR THREE – 100% (one hundred percent) only on selected part(s) and labor listed (Any labor and part(s) not listed, and removal and reinstallation are the owner's responsibility):

- Rotor, Stator, Computer Control Board, (if applicable with regard to the generator) Cylinder Block, Cylinder Head, Crankshaft, Piston(s), Valve, Valve Lifter(s), Intake and Exhaust Manifolds

Generac RV generators manufactured prior to December 31, 1997, **DO NOT** have a transferable warranty. Generac RV generators manufactured after January 1, 1998, have a transferable warranty to the second owner **ONLY** for the remainder of the three-year limited warranty. Proof-of-purchase is required and must be presented to a Generac Authorized Warranty Service Facility prior to the performance of any warranty service.

All warranty expense allowances **are** subject to the conditions defined in Generac's **SUPER SERVICE INFORMATION MANUAL**.

THIS WARRANTY SHALL NOT APPLY TO THE FOLLOWING:

- Generac Guardian generators that utilize non-Generac replacement parts.
- Costs of normal maintenance, adjustments, installation and start-up.
- Failures caused by any contaminated fuels, oils, coolants or lack of proper fluid amounts.
- Failures due, but not limited, to normal wear and tear, accident, misuse, abuse, negligence or improper installation. As with all mechanical devices, the Generac engines need periodic part(s) service and replacement to perform well. This warranty will not cover repair when normal use has exhausted the life of a part(s) or engine.
- Failures caused by any external cause or act of God, such as collision, theft, vandalism, riot or wars, nuclear holocaust, fire, freezing, lightning, earthquake, windstorm, hail, volcanic eruption, water or flood, tornado or hurricane.
- Damage related to rodent infestation.
- Products that are modified or altered in a manner not authorized by Generac in writing.
- Any incidental, consequential or indirect damages caused by defects in materials or workmanship, or any delay in repair or replacement of the defective part(s).
- Failure due to misapplication.
- Telephone, cellular phone, facsimile, internet access or other communication expenses.
- Living or travel expenses of person(s) performing service, except as specifically included within the terms of a specific unit warranty period.
- Expenses related to "customer instruction" or troubleshooting where no manufacturing defect is found.
- Rental equipment used while warranty repairs are being performed.
- Overnight freight costs for replacement part(s).
- Overtime labor.
- Starting batteries, fuses, light bulbs and engine fluids.

THIS WARRANTY IS IN PLACE OF ALL OTHER WARRANTIES, EXPRESSED OR IMPLIED. SPECIFICALLY, GENERAC MAKES NO OTHER WARRANTIES AS TO THE MERCHANTABILITY OR FITNESS FOR A PARTICULAR PURPOSE. Some states do not allow limitations on how long an implied warranty lasts, so the above limitation may not apply to you.

GENERAC'S ONLY LIABILITY SHALL BE THE REPAIR OR REPLACEMENT OF PART(S) AS STATED ABOVE. IN NO EVENT SHALL GENERAC BE LIABLE FOR ANY INCIDENTAL OR CONSEQUENTIAL DAMAGES, EVEN IF SUCH DAMAGES ARE A DIRECT RESULT OF GENERAC'S NEGLIGENCE. Some states do not allow the exclusion or limitation of incidental or consequential damages, so the above limitation may not apply to you.

This warranty gives you specific legal rights. You also have other rights from state to state.

GENERAC® POWER SYSTEMS, INC.
P.O. BOX 297 • WHITEWATER, WI 53190