

Hands-free Car Kit

3200 LS-Color
3400 LS-GPS
User manual



- ENG P.5
- DEU P.17
- SVE P.29
- DAN P.41
- NOR P.53

For Bluetooth
Mobile Phone

 Bluetooth®



Warning

The manufacturer Parrot S.A. and its affiliates should not be held liable towards end users or third parties to prejudice caused by misuse of the product, nor for usage that would be in violation of local traffic regulations and laws.

Disclaimer

The information in this document is subject to change without notice and does not represent a commitment on the part of vendor. No warranty or representation, either expressed or implied, is made with respect of quality, accuracy or fitness for any particular purpose of this document. The associated with it at any time without obligation to notify any person or organisation of such changes. In no event will the manufacturer be liable for direct, indirect, special, incidental or consequential damages arising out of the use or inability to use this product or documentation, even if advised of the possibility of such damages. This document contains material protected by copyright. All rights are reserved. No part of this manual may be reproduced or transmitted in any form, by any means or for any purpose without express written consent. Product names appearing in this document are mentioned for identification purposes only. All trademarks, product names appearing in this document are registered property of their respective owners.

FCC Compliance Statement



This device complies with part 15 of the FCC rules. Operation is subject to the following two conditions :

- (1) this device may not cause harmful interference, and
- (2) this device must accept any interference received, including interference that may cause undesired operation.

Note : The manufacturer is not responsible for any radio or tv interference caused by unauthorized modifications to this equipment.

Such modifications could void the user's authority to operate the equipment.

Declaration of Conformity



We, Parrot S.A. of 174 quai de Jemmapes, 75010 Paris, France, declare under our sole responsibility that our product, the Parrot 3200 LS-COLOR / 3400 LS-GPS, to which this declaration relates is in conformity with appropriate standards EN300328, EN301489-17, EN 60950 following the provision of Radio Equipment and Telecommunication Equipment directive, with requirements covering EMC directive 89/336/EEC and Low Voltage directive 73/23/EEC.

Bluetooth®

The Bluetooth® word mark and logos are owned by the Bluetooth® SIG, Inc. and any use of such marks by Parrot S.A. is under license. Other trademarks and trade names are those of their respective owners.

Correct Disposal of This Product (Waste Electrical & Electronic Equipment)



(Applicable in the European Union and other European countries with separate collection systems). This marking shown on the product or its literature, indicates that it should not be disposed with other household wastes at the end of its working life. To prevent possible harm to the environment or human health from uncontrolled waste disposal, please separate this from other types of wastes and recycle it responsibly to promote the sustainable reuse of material resources. Household users should contact either the retailer where they purchased this product, or their local government office, for details of where and how they can take this item for environmentally safe recycling. Business users should contract their supplier and the terms and conditions of the purchase contract. This product should not be mixed with other commercial wastes for disposal.



3200 LS-COLOR / 3400 LS-GPS

Directions for use

English

Deutsch

Svenska

Dansk

Norsk

I N T R O D U C T I O N

The Bluetooth® technology enables voice and data communications via a short-distance radio link. It allows several electronic devices to communicate with each other, particularly telephones and hands-free kits.

Parrot is drawing on its long years of experience in signal processing and voice recognition technology to introduce a hands-free kit offering superior audio quality during calls.

Thank you for buying a Parrot hands-free kit. With the Parrot 3200 LS-COLOR, you will be able to make telephone calls from your car while keeping your hands on the wheel.

With its colour interface and customisable wallpaper, the Parrot 3200 LS-COLOR is the most user-friendly hands-free kit. It acts as a real extension of your mobile phone. We hope that the kit will give you complete satisfaction.

KITS CONTENTS

- Colour LCD screen
- Installation cable
- Electronic control unit
- Directions for use
- Fitting accessories
- Microphone

FITTING

First of all, choose the place for the colour screen inside your vehicle.

We would advise you to fit it in the centre of the dashboard or near you. Make sure that you can view the screen at a good angle and that it does not obstruct your view of the road. Once the hands-free kit is fully installed and switched on, you can adjust the screen's brightness.

There are two places where you can choose to fit the microphone connection: either directly at the side of the screen or on the cable connected to the bottom of the screen. Place the microphone to the left of the rear-view mirror to ensure optimum audio quality.

The installation cable is equipped with ISO connectors and a line-out jack for connecting directly to your amplifier, if applicable.

Car stereo with line-in jacks:

Preferably use this type of connection by connecting the brown and white wires (or red and black), along with the yellow mute wire to the back of your car stereo.

Car stereo with ISO connectors:

Disconnect the car stereo's audio and power leads. Join the female connectors of the kit's cable to the car stereo. Join the vehicle's audio and power supply cables to the male connectors. If the car stereo features a mute jack, connect the yellow wire of the kit's cable to one of the "mute-in" jacks (1, 2 or 3).

Car stereo without ISO connectors:

You must purchase an ISO adapter cable.

Fitting the kit's cable:

. The red wire of the kit's cable must be connected to the constant 12V supply, the orange wire to the ignition 12V and the black wire to earth.

. Check the wiring diagram of the car stereo's ISO lead.

On some vehicles, the red and orange wires may need to be reversed.

This can easily be done by reversing the two fuse holders.

. Do not connect the orange wire to the constant 12V supply, as you could run down the vehicle's battery.

Checking the installation:

. If your 3200 LS-COLOR is correctly fitted, you should see the message "Goodbye" on the screen when you switch off your car's ignition.

Otherwise, the ignition 12V and the constant 12V supply have been reversed. In this case, reverse the two fuse holders on the kit's power supply lead



PAIRING WITH YOUR MOBILE PHONE: Using for the first time

The first time that you switch on the 3200 LS-COLOR, you must pair your mobile phone with the kit.

- . Enable the Bluetooth mode on your phone.
- . On the hands-free kit, scroll through the menus until you come to Settings Pair with phone..., and select the relevant option for your phone. A 4-digit PIN code then appears on screen. Memorise it.
- . Search for any peripherals: for further information on this procedure, refer to the Bluetooth chapter in your mobile phone's user guide or check out our website at : www.parrot.biz/guide_chm/3200LS_COLOR/index.html
- . Once the search has finished, "Parrot 3200LS / Parrot 3400LS" is displayed on your phone.
- . Select the kit. Your phone prompts you to enter a code: key in the code shown on the kit screen and confirm on your phone
- . The kit's screen displays "Pairing".
- . Once the data has been exchanged, "pairing successful" appears on the 3200 LS-COLOR.
- . The 3200 LS-COLOR then connects to your phone. Once the connection has been made, the Bluetooth logo is displayed on the screen (except for certain phones using the Headset profile).

. Some phones offer additional features, such as displaying your phone's name on the kit's screen, as well as the battery and signal levels and the operator's name.

You can now access the menus and their name is announced by the hands-free kit when you turn the scroll wheel. Press the green button (or the scroll wheel) to access the menus, and press the red button to exit them.



You can now use your hands-free kit to make and receive calls.

- . **Receiving a call:** press the green button to answer the call.
- . **Ending a call:** press the red button.
- . **Redial function:** hold down the green key on the kit for two seconds to redial the last number dialled.
- . **Adjusting the volume:** turn the scroll wheel during a call to adjust the volume.

FEATURES

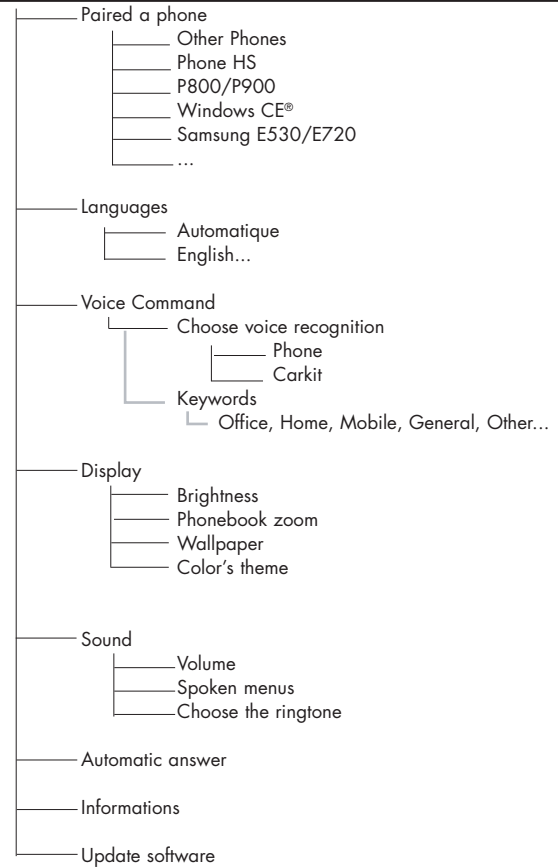
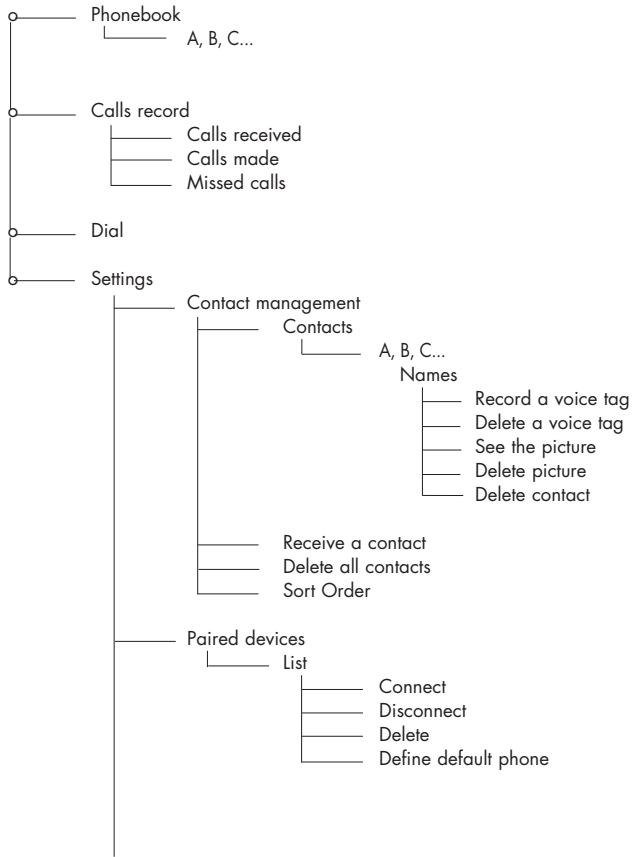
The kit's screen displays your mobile phone's main information, in particular your phonebook.

- ♦ Automatic downloading of your phonebook.
- ♦ Display of the caller's name and image.
- ♦ Contacts phoned using the kit's voice recognition feature.
- ♦ Car stereo muting during calls.
- ♦ Call records.
- ♦ Volume adjustment during calls.
- ♦ Dual call management.
- ♦ Automatic redial of the last caller.
- ♦ Wallpaper change.
- ♦ Brightness settings.
- ♦ Ringtone selection.
- ♦ Language setting.
- ♦ DTMF: when you receive a call from your message system, press the scroll wheel so that you can access the digits allowing you to manage your message.



Note: most of these features depend on your phone.

MENUS



ACCESSING THE MENUS

Phonebook

After pairing your phone with the 3200 LS-COLOR, synchronisation with your phonebook will begin automatically (*). Once the synchronisation process is complete, you can access your phonebook from the hands-free kit screen. To access your phonebook and call a contact, turn the scroll wheel to access the menus, then select Phonebook. Scroll through the letters until you reach the first letter of the relevant person's name and confirm. You will then see this person's name and the various phone numbers you have for them.

(*). Depending on the model of your Bluetooth phone. Visit our website at www.parrot.biz for the latest information on synchronisation.

Call records

This menu option displays the list of calls and is divided into three sub-menus:

Missed calls / Calls received / Calls made.

It is automatically synchronised with your phone's call records (*) and you can access them to call back a missed call.

- ◆ Select the contact from these menus.
- ◆ Press the scroll wheel or the green button to call the contact back.

(*). Depending on the model of your Bluetooth phone.

Dial

Select this menu to dial a number directly via the kit.

- ◆ Turn and press the scroll wheel to select a digit.

- ◆ The trashcan icon deletes the last digit.
- ◆ Once the number has been dialled, press the green button to call.

PREFERENCES

This menu enables you to fine-tune your 3200 LS-COLOR for easier use.

Contact management

This menu enables you to manage contacts in the Parrot 3200 LS-COLOR. Once you have selected the contact from the list (which you access via the Contact management menu) you can record or delete a voiceprint, view or delete the photo, or delete the contact from the phonebook.

You can also receive a contact with the relevant photo (if supported by the phone) by selecting Receive a contact. Select on your phone the contact you want to send via Bluetooth to the hands-free kit. From then on, whenever this person calls you, his or her photo and name will appear on the kit screen.

Refer to your phone's user guide or check out.

www.parrot.biz/guide_CHM/3200LS_COLOR/index.html.

You can also delete all the contacts in the kit or reverse the sort order from surname-first name to first name-surname



VOICE RECOGNITION

Select voice recognition

The voice recognition capability featured by the 3200 LS-COLOR is more extensive and robust than that boasted by mobile phones, and can work in noisy surroundings.

- **Car kit reco:** the selected voiceprints are those recorded in the memory of the hands-free kit.
- **Phone reco:** the selected voiceprints are those recorded in the memory of the phone.

Keywords

Recording keywords enables you to phone without taking your hands off the wheel. You can control the whole call with your voice.

Keywords: Home, Work, Mobile, General, Other.

Keywords are used to select the required phone number when several different numbers are associated with the same contact. All keywords must be recorded, so that they can be validated. Once the keywords have been recorded, you need to say the following sequence of words to be able to make a call using the voice recognition feature.

Press the green button and after the beep, say: "John Smith... (beep)...Work...". And this will put you in touch with John Smith using the phone number classified as his work number.

Paired devices

The 3200 LS-COLOR lets you pair up to five Bluetooth phones, but bearing in mind that only one can be connected at any one time.

The Paired devices menu allows you to connect, disconnect or delete a phone from the kit's memory. From the Define default phone menu option, you can control the priority level given to the Bluetooth phone during connections with several phones in the car.

Caution:

Deleting a paired phone will clear any voiceprints attributed to the contacts on that phone.

Pair a phone

Before pairing your Bluetooth phone, you must enable the mode corresponding to your Bluetooth phone.

The different modes are as follows:

- Other phones
- Headset phones
- P800-P900
- Windows CE
- E720-E530
- Sony-Ericsson K600, K750
- Samsung E530, E620, E720

Once the relevant mode has been selected, a (random) 4-digit code appears. Start searching for Bluetooth peripherals from your

phone. Once you have found the hands-free kit, select it and enter this code.

Note: for greater compatibility with phones, new pairing modes are likely to be added to future versions.

Language

Select the language for displaying the menus on your 3200 LS-COLOR.

Display

Four options are available for customising the way in which information is displayed:

- **Brightness :** use the scroll wheel to obtain the required level and confirm by clicking the scroll wheel.
- **Phonebook zoom:** used to display the Phonebook menu over 3 or 4 lines.
- **Wallpaper:** allows you to select a wallpaper image.
- **Theme:** related to the selection of colour theme

Sounds

- **Volume:** use the scroll wheel to control the volume level of the call and the microphones' sensitivity.

- **Speaking menus:** adjust the volume of the hands-free kit's prompts to the required level.

- **Ringtone selection:** for phones that do not play a specific ringtone for incoming calls, select the ringtone that you wish to hear when you receive a call.

Automatic answer

Enable this mode if you want the 3200 LS-COLOR to automatically answer any incoming calls.

Information

This menu provides information on the version of the built-in software.

UPDATE

You can update the software version of your 3200 LS-COLOR by Bluetooth. Enable this mode before updating. The update is performed by Bluetooth from a computer equipped with Bluetooth.

Updating provides access to new features and improves compatibility with the advanced functions on an even wider range of phones.

For further information, visit our website: www.parrot.biz.

PARROT 3400LS-GPS

The Parrot 3400LS-GPS kit features a built-in GPS module (Global Positioning System) providing real-time information on the vehicle's current position. This information is available by Bluetooth over a channel that can be accessed by most PDAs and smartphones equipped with navigation software.

Procedure for connecting to the GPS service

If a navigation application is installed on your PDA or smartphone, simply pair your device with the Parrot 3400 and establish a Bluetooth serial connection with the GPS port (the number of the outgoing serial port to be used will depend on your PDA or smartphone).

The configuration to be chosen on your device is NMEA 0183v2 9600 if prompted by your navigation software.

Several statuses may be encountered:

- ◆ Status 1: no GPS connected – No fix (satellite icon greyed out)
- ◆ Status 2: no GPS connected – Fix (satellite icon coloured)
- ◆ Status 3: GPS connected – No fix (satellite icon greyed out, with a transmission symbol)
- ◆ Status 4: GPS connected – Fix (satellite icon coloured, with a transmission symbol)

Note: the fix indicates that the satellite data received by the hands-free kit is valid.

PROCEDURE for connecting to the GPS service:

1.If you are already connected via Bluetooth to your phone:

- ◆ Disconnect your phone (hold down the red button on the hands-free kit for two seconds). The hands-free kit then changes to status 1 or 2 (if the fix is established).
- ◆ From your navigation software (installed on your PDA or smartphone), connect to the GPS service of the 3400LS-GPS. The hands-free kit then changes to status 3 or 4.
- ◆ Once connected, a transmission symbol appears beneath the satellite. If the satellite icon is coloured, the fix is established (hands-free kit in status 4). The distance travelled will then be displayed in the top-right corner of the screen.
- ◆ Once the GPS connection is established, the kit automatically reconnects to your phone's telephony service.

2.If you are not already connected via Bluetooth to your phone:

- ◆ From your navigation software (installed on your PDA or smartphone), connect to the GPS service of the 3400LS-GPS. The hands-free kit then changes to status 3 or 4.
- ◆ Once connected, a transmission symbol appears beneath the satellite. If the satellite icon is coloured, the fix is established (hands-free kit in status 4). The distance travelled will then be displayed in the top-right corner of the screen.
- ◆ You can now pair/connect your phone.

Voice indications for navigation

Once the GPS service is connected, you can listen to the voice instructions via your vehicle's speakers. Navigation will then be plain sailing (this feature is only available on certain types of PDA and smartphone, and may also depend on the software).

To enable voice indications, simply open the Headset service available on the hands-free kit from your PDA or smartphone.

When you are connected to the hands-free kit's GPS service, incoming and outgoing calls are managed automatically to ensure that use of the telephony service is made as easy as possible.

GPS MENU

In this section, you can completely disable the GPS service to prevent anyone else from connecting to this service.

You will also find menus for customising the display when connected to the GPS: number of satellites, distance (kilometres or miles), and much more.

Note: if your vehicle is fitted with an athermic windscreen, the GPS signal received might be of poor quality, in which case, you can add an external aerial that plugs into the back of the screen. To acquire such an aerial, contact your dealer.



HOTLINE

Our hotline is at your disposal. You can contact the hotline by email or telephone.

Open from Monday to Friday between 9 am and 6 pm (GMT+1).

Check out our website (www.parrot.biz) for further information.



NOTES

NOTES

NOTES

3200 LS-COLOR / 3400 LS-GPS Bedienungsanleitung

English

Deutsch

Svenska

Dansk

Norsk

EINFÜHRUNG

Die Bluetooth®-Technologie ermöglicht eine Übertragung von Sprache und Daten über kurze Entfernungen per Funkverbindung. Unter Rückgriff auf Bluetooth können unterschiedliche elektronische Geräte miteinander kommunizieren, insbesondere Telefone und Freisprecheinrichtungen.

Aufbauend auf seine langjährige Erfahrung im Bereich Signalverarbeitung und Spracherkennung präsentiert Parrot eine Freisprecheinrichtung, die sich beim Telefonieren durch eine herausragende Audioqualität auszeichnet.

Sie haben sich für eine Freisprecheinrichtung von Parrot entschieden: Herzlichen Dank! Mit dem Parrot 3200 LS-COLOR können Sie Ihre Anrufe erledigen, während Sie mit Ihrem Auto unterwegs sind ? Ihre Hände bleiben dabei am Steuer.

Die farbige Oberfläche und der anpassbare Bildschirmhintergrund machen den Parrot 3200 LS-COLOR zur denkbar bedienerfreundlichsten Freisprecheinrichtung. Er fungiert richtiggehend als Erweiterung Ihres Mobiltelefons.

Wir hoffen, dass Sie mit diesem Produkt vollauf zufrieden sind.

VERPACKUNGSGEHALT

- LCD-Farbdisplay
- Anschlusskabel
- Kontrollbox
- Bedienungsanleitung
- Befestigungsvorrichtungen
- Mikrofon

INSTALLATION

Wählen Sie zunächst eine geeignete Position für das Farbdisplay im Innenraum Ihres Fahrzeugs. Empfohlen wird die Mitte des Armaturenbretts oder eine Position in Ihrer Nähe. Stellen Sie sicher, dass Sie über einen guten Blickwinkel auf das Display verfügen, und dass die Position des Displays Ihre Sicht auf den Straßenverkehr nicht beeinträchtigt. Nach der Installation und Inbetriebnahme der Freisprecheinrichtung können Sie die Helligkeit bedarfsgerecht einstellen. Der Mikrofonstecker kann wahlweise an zwei verschiedenen Stellen eingesteckt werden: direkt an der Seite des Displays oder in das Kabel an der Unterseite des Displays. Um eine optimale Audioqualität zu gewährleisten, sollte das Mikrofon auf der linken Seite des Rückspiegels befestigt werden. Das Anschlusskabel ist mit «ISO»-Steckverbindern sowie mit einem Ausgang «line out» ausgestattet, der den direkten Anschluss an einen ggf. vorhandenen Verstärker ermöglicht.

Autoradio mit Eingängen «line in»:

Verwenden Sie vorzugsweise diesen Anschlussstyp. Verbinden Sie den braunen und den weißen Draht (oder den roten und den schwarzen Draht) sowie den gelben Draht der Stummschaltung («Mute») an der Rückseite des Autoradios.

Autoradio mit «ISO»-Steckverbinder:

Trennen Sie die Audio- und Versorgungsleiterbündel von Ihrem Autoradio. Verbinden Sie die Steckbuchsen des Kabels der Freisprecheinrichtung mit dem Autoradio. Schließen Sie die Audio- und Versorgungsleiterbündel des Kraftfahrzeugs an die Steckverbinder an. Sollte das Autoradio über einen «Mute»-Eingang verfügen, dann verbinden Sie den gelben Draht des Kabels der Freisprecheinrichtung mit einem der «Mute»-Eingänge 1, 2 oder 3.

Autoradio ohne «ISO»-Steckverbinder:

Besorgen Sie sich ein «ISO»-Adapterkabel.

Freisprecheinrichtung:

Der rote Draht des Kabels der Freisprecheinrichtung muss mit der permanenten und der orangefarbene Draht mit der kontaktgeschalteten 12V-Spannungsversorgung verbunden werden. Der schwarze Draht wird an die Masse angeschlossen.

- . Überprüfen Sie den Anschluss anhand des Schaltbilds für das «ISO»
- . Drahtbündel des Autoradios.

In bestimmten Kraftfahrzeugen ist eine Invertierung des roten und des orangefarbenen Drahts erforderlich. Dazu sind lediglich die zwei Sicherungsträger auszuwechseln.

- . Verbinden Sie den orangefarbenen Draht keinesfalls mit der permanenten 12V-Versorgung, da dies eine Entleerung der Fahrzeugbatterie zur Folge haben kann.

Prüfung der Installation:

- . Wenn die Installation des 3200 LS-COLOR ordnungsgemäß durchgeführt wurde, erscheint beim Ausschalten der Zündung Ihres Fahrzeugs die Meldung «Auf Wiedersehen» auf dem Display. Ist das nicht der Fall, dann wurden permanente und kontaktgeschaltete 12V-Spannungsversorgung verwechselt. In diesem Fall sind die zwei Sicherungsträger des Versorgungskabels der Freisprecheinrichtung zu invertieren.



KOPPLUNG MIT DEM TELEFON: Erste Verwendung

Beim ersten Einschalten des 3200 LS-COLOR müssen Sie Ihr Telefon mit der Freisprecheinrichtung koppeln.

. Aktivieren Sie die Bluetooth-Funktion auf Ihrem Telefon.

. Navigieren Sie in den Menüs Ihrer Freisprecheinrichtung bis zu «Einstellungen», «Telefon koppeln»..., und wählen Sie die Option, die Ihrem Telefon entspricht. Es erscheint ein 4 Ziffern umfassender PIN-Code auf dem Display, den Sie sich merken sollten.

. Starten Sie eine Suche nach Peripheriegeräten: Detaillierte Informationen zu diesem Vorgang finden Sie in der Bedienungsanleitung Ihres Telefons (Kapitel über Bluetooth). Oder besuchen Sie unsere Website:
www.parrot.biz/guide_CHM/CK3200LS/index.html.

. Nach Abschluss des Suchvorgangs wird «Parrot 3200LS / Parrot 3400LS » auf dem Telefon angezeigt.

. Wählen Sie die Freisprecheinrichtung aus. Sie werden dann von Ihrem Telefon zur Eingabe eines Codes aufgefordert. Geben Sie den auf dem Display Ihrer Freisprecheinrichtung angezeigten Code ein, und bestätigen Sie die Eingabe auf Ihrem Telefon.

. Auf dem Display der Freisprecheinrichtung erscheint die Angabe «Kopplung läuft».

. Nach dem Austausch der erforderlichen Daten wird «Kopplung erfolgreich» auf dem Display des 3200 LS-COLOR angezeigt.

. Der 3200 LS-COLOR stellt dann eine Verbindung zu Ihrem Telefon her. Nach dem Aufbau der Verbindung erscheint das Bluetooth-Logo auf dem Display (außer bei manchen Telefonen, die das Headset-Profil verwenden).

. Einige Telefone stellen zusätzliche Funktionen bereit, z. B. die Anzeige des Telefonnamens, der Netzstärke, des Akkuladestands und des Netzbetreibers auf dem Display der Freisprecheinrichtung.

Die Menüs stehen zur Verfügung und die entsprechenden Namen werden von der Freisprecheinrichtung laut ausgegeben, wenn Sie das Reglerdrehen. Rufen Sie die verschiedenen Menüs durch Drücken der grünen Taste (oder Drücken des Reglerdrehens) auf. Drücken Sie die rote Taste, um die Menüs zu verlassen.

Sie können Ihre Freisprecheinrichtung jetzt für Ihre Telefongespräche verwenden.

. Entgegennehmen eines Anrufs: Drücken Sie die grüne Taste, um den Anruf anzunehmen.

. Beenden eines Anrufs: Drücken Sie die rote Taste.

. Rufwiederholung: Drücken Sie die grüne Taste auf der Freisprecheinrichtung und halten Sie sie zwei Sekunden lang gedrückt, um die zuletzt gewählte Nummer erneut zu wählen.

. Einstellen der Lautstärke: Drehen Sie das Reglerdrehen während eines Gesprächs, um die Lautstärke wunschgemäß einzustellen.

FUNCTIES

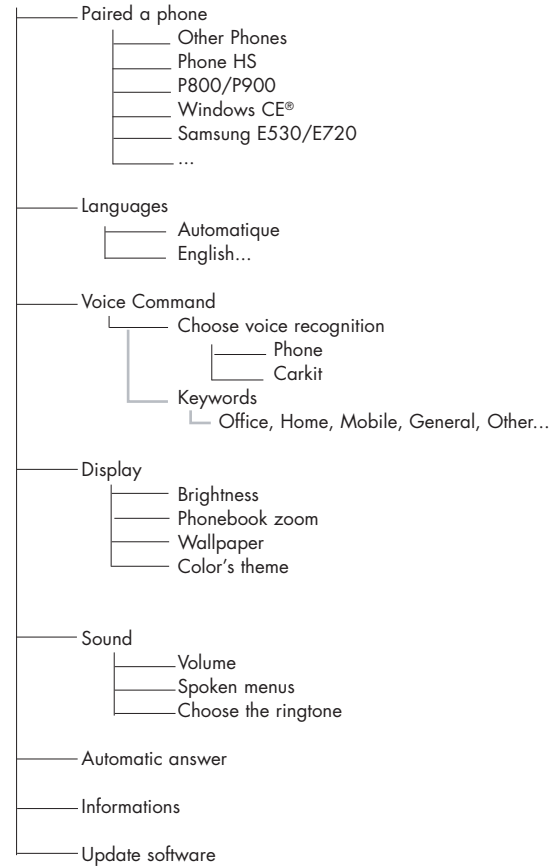
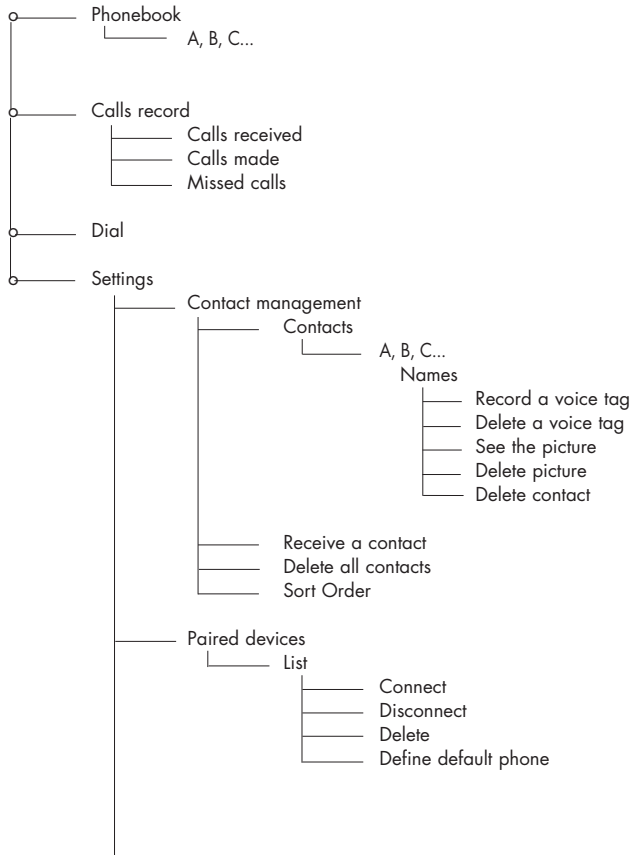
Auf dem Display der Freisprecheinrichtung finden Sie alle grundlegenden Informationen in Bezug auf Ihr Telefon, insbesondere Ihr Telefonbuch.

- ♦ Automatisches Laden Ihres Telefonbuchs
- ♦ Anzeige von Namen und Bild des Anrufers
- ♦ Rufnummernwahl für gespeicherte Kontakte über die Spracherkennungsfunktion der Freisprecheinrichtung
- ♦ Stummschaltung des Autoradios für die Dauer des Telefongesprächs
- ♦ Anrufliste
- ♦ Einstellung der Lautstärke bei aktiver Kommunikation
- ♦ Verwaltung der Anklopffunktion
- ♦ Automatischer Rückruf des letzten Gesprächsteilnehmers
- ♦ Änderung des Bildschirmhintergrunds
- ♦ Einstellung von Helligkeit
- ♦ Auswahl des Klingeltons
- ♦ Einstellung der Sprache
- ♦ DTMF: Wenn Sie einen Anruf von Ihrem Mitteilungssystem erhalten, drücken Sie das Reglerad, um auf die Ziffern zuzugreifen, über die Sie Ihre Mitteilungen verwalten können.



Hinweis: Die Verfügbarkeit einiger Funktionen ist von Ihrem Telefon abhängig.

MENU



ZUGRIFF AUF DIE MENÜS

Telefonbuch

Im Anschluss an die Kopplung Ihres Telefons mit dem 3200 LS-COLOR wird automatisch die Synchronisation Ihres Telefonbuchs gestartet (*). Nach dem Synchronisationsvorgang («Synchronisation beendet») steht das Telefonbuch Ihres Telefons auch auf dem Display der Freisprecheinrichtung zur Verfügung. Wenn Sie auf das Telefonbuch zugreifen und einen Teilnehmer anrufen möchten, drehen Sie das Reglerrad, um auf die Menüs zuzugreifen, und wählen dann das Menü «Telefonbuch». Durchlaufen Sie die Buchstaben des Alphabets bis zum ersten Buchstaben des Namens des gewünschten Teilnehmers, und bestätigen Sie Ihre Auswahl. Für den ausgewählten Teilnehmer werden Name und Telefonnummern angezeigt. Wählen Sie die Nummer aus, die angerufen werden soll. (*) Je nach dem Modell Ihres Bluetooth-Telefons. Auf unserer Website www.parrot.biz finden Sie aktuelle Informationen zur Synchronisation.

Anrufliste

Über dieses Menü werden sämtliche Anrufe angezeigt, untergliedert in drei Untermenüs:
Anrufe in Abwesenheit / Empfangene Anrufe / Getätigte Anrufe.
Die Liste wird automatisch mit derjenigen Ihres Telefons synchronisiert (*) und ermöglicht Ihnen den Rückruf eines Teilnehmers, dessen Anruf Sie versäumt haben.

- ♦ Wählen Sie den gewünschten Kontakt in den Untermenüs aus.

- ♦ Drücken Sie das Reglerrad oder die grüne Taste, um den Kontakt zurückzurufen.

(*) Je nach dem Modell Ihres Bluetooth-Telefons.

Nummer wählen

Wählen Sie dieses Menü, um direkt über die Freisprecheinrichtung eine Rufnummer zu wählen.

- ♦ Drehen und drücken Sie dann das Reglerrad, um eine Ziffer auszuwählen.
- ♦ Über das Papierkorbsymbol kann die letzte Ziffer jeweils wieder gelöscht werden.
- ♦ Drücken Sie nach der Eingabe der Nummer auf die grüne Taste, um die Nummer zu wählen.

EINSTELLUNGEN

Dieses Menü ermöglicht Ihnen eine Verbesserung Ihres Komforts bei der Verwendung des 3200 LS-COLOR.

Kontakte verwalten

Dieses Menü ermöglicht Ihnen die Verwaltung der Kontakte auf dem Parrot 3200 LS-COLOR. Nach Auswahl des Kontakts in der Liste (Zugriff über das Menü «Kontakte verwalten») können Sie einen Stimmabdruck speichern oder löschen, das verknüpfte Foto anzeigen bzw. löschen oder den gesamten Eintrag aus dem Telefonbuch entfernen.

Wenn Sie einen neuen Kontakt mit einem zugeordneten Foto empfangen möchten (sofern diese Funktion von Ihrem Telefon unterstützt wurde), wählen Sie «Kontakte empfangen». Wählen Sie dann auf Ihrem Telefon den Kontakt aus, den Sie per Bluetooth an die

Freisprecheinrichtung senden möchten. Werden Sie anschließend von diesem Kontakt angerufen, erscheinen sowohl das Foto als auch der Name der Person auf dem Display.

Detaillierte Informationen hierzu finden Sie in der Bedienungsanleitung Ihres Telefons oder besuchen Sie die Webseite

www.parrot.biz/guide_CHM/3200LS_COLOR/index.html.

SPRACHERKENNUNG

Spracherkennung wählen

Die vom 3200 LS-COLOR bereitgestellte Spracherkennung ist im Vergleich zu derjenigen der Telefone um einiges umfangreicher und robuster und lässt sich auch in geräuschintensiven Umgebungen verwenden.

- **Freisprecheinrichtung:** Die Auswahl der Stimmabdrücke erfolgt im Speicher der Freisprecheinrichtung.
- **Telefon:** Die Auswahl der Stimmabdrücke erfolgt im Speicher des Telefons.

Schlüsselwörter

Durch die Speicherung von Schlüsselwörtern sind Sie in der Lage, Telefongespräche zu führen, ohne dazu die Hände vom Lenkrad nehmen zu müssen. Die gesamte Kommunikation wird allein über Ihre Stimme gesteuert.

Schlüsselwörter: Privat, Büro, Handy, Allgemein, Andere.

Über die Schlüsselwörter können Sie die jeweils gewünschte

Rufnummer auswählen, wenn ein Kontakt über mehrere Nummern verfügt. Alle Schlüsselwörter müssen gespeichert werden, um als bestätigt zu gelten. Anhand von Zauberworten kann dann ein Anruf angenommen, eine Nummer gewählt oder ein Gespräch beendet werden.

Nach der Speicherung der Schlüsselwörter müssen Sie die nachstehenden Schritte durchlaufen, um mithilfe der Spracherkennung einen Anruf zu tätigen:

Drücken Sie die grüne Taste, warten Sie den Piepton ab, und sprechen Sie Folgendes:

«John Smith...(Piepton)...Büro...» In diesem Fall rufen Sie John Smith über seine Nummer im Büro an. Wenn Sie das Gespräch beenden möchten, sagen Sie einfach «Auflegen». Um einen eingehenden Anruf per Spracherkennung entgegenzunehmen, sagen Sie «Telefon».

Gekoppelte Geräte

Der 3200 LS-COLOR ermöglicht Ihnen die Kopplung von bis zu 5 Bluetooth-Telefonen, wobei in einer Sitzung jeweils nur zu einem Telefon eine Verbindung hergestellt werden kann.

Über das Menü Standard-Telefon definieren können Sie eine Verbindung zu einem Telefon herstellen oder trennen oder ein Telefon im Speicher der Freisprecheinrichtung löschen.

Über «Haupt-Benutzer» sind Sie in der Lage, die Priorität zu steuern, die einem Bluetooth-Telefon beim Verbindungsaufbau eingeräumt wird, wenn sich mehrere Telefone im Wagen befinden.

Wichtig:

Beim Löschen einer Kopplung gehen alle Stimmabdrücke verloren, die den Kontakten des betreffenden Telefons zugeordnet wurden

Telefon koppeln

Vor der Kopplung Ihres Bluetooth-Telefons müssen Sie den dem Telefon entsprechenden Modus aktivieren.

Verfügbare Modi:

- Andere Telefone
- Headset-Telefone
- P800-P900
- Windows CE
- E720-E530
- D500-MyX8
- Sony-Ericsson K600, K750
- Samsung E530, E620, E720

Nach dem Auswählen des Modus wird ein Code mit 4 (zufälligen) Ziffern angezeigt. Starten Sie die Suche nach Bluetooth-Peripheriegeräten über Ihr Telefon. Sobald Sie die Freisprecheinrichtung gefunden haben, markieren Sie sie und geben den zuvor angezeigten Code ein.

Hinweis: Um eine größere Kompatibilität mit Telefonen bereitzustellen zu können, werden in den zukünftigen Versionen mit Sicherheit noch weitere Kopplungsmodi hinzukommen.

Sprache

Wählen Sie eine Sprache für die Anzeige der Menüs auf dem 3200 LSCOLOR.

Anzeige

Anhand der verfügbaren 4 Rubriken können Sie die Datenanzeige wunschgemäß anpassen:

• **Helligkeit:** Stellen Sie mithilfe des Reglerrads das gewünschte Niveau ein und bestätigen Sie Ihre Einstellung durch Drücken des Reglerrads.

• **Telefonbuch-Zoom:** Ermöglicht eine Anzeige der Telefonbucheinträge über 3 oder 4 Zeilen.

• **Hintergrund:** Ermöglicht Ihnen die Auswahl eines Hintergrundbilds.

• **Thema:** Verweist auf die Auswahl eines Farbthemas.

Töne

• **Lautstärke:** Stellen Sie mithilfe des Reglerrads die Lautstärke der Gesprächsübertragung und den Grad der Empfindlichkeit der Mikrofone ein.

• **Gesprochene Menüs:** Stellen Sie die Lautstärke für die von der Freisprecheinrichtung laut ausgegebenen Elemente auf das gewünschte Niveau ein.

• **Wahl des Klingeltons:** Wählen Sie für die Telefone, die bei eingehenden Anrufen nicht einen eigenen Klingelton ausgeben, den Klingelton, der beim Anruf eines Teilnehmers ertönen soll.

Automatische Antwort

Aktivieren Sie diesen Modus, wenn das 3200 LS-COLOR eingehende Anrufe automatisch annehmen soll.

Infos

Dieses Menü ermöglicht Ihnen die Anzeige von Informationen zur Version der geladenen Software.

AKTUALISIERUNG

Sie haben die Möglichkeit, die Softwareversion Ihres 3200 LS-COLOR über eine Bluetooth-Verbindung zu aktualisieren. Aktivieren Sie vor der Aktualisierung diesen Modus. Die Aktualisierung erfolgt dann per Bluetooth über einen Bluetooth-fähigen Computer.

Durch eine Aktualisierung können neue Funktionen hinzugefügt werden.

Außerdem lässt sich die Kompatibilität mit den jeweils neuesten Funktionen von immer mehr Telefonen verbessern.

Weitere Informationen hierzu finden Sie auf unserer Website: www.parrot.biz.

Parrot 3400LS-GPS

Das Freisprechkit Parrot 3400LS-GPS umfasst ein GPS-Modul (Global Positioning System), das die Bestimmung der augenblicklichen Fahrzeugposition ermöglicht. Diese Information kann per Bluetooth über einen für die meisten PDAs und Smartphones zugänglichen Kanal abgerufen werden, sofern diese mit einer Navigationssoftware ausgestattet sind.

Aufbau einer Verbindung zum GPS-Dienst

Wenn Ihr PDA oder Smartphone mit einem Navigationsprogramm ausgerüstet ist, brauchen Sie das Peripheriegerät nur mit dem Parrot 3400 zu koppeln und können dann eine serielle Bluetooth-Verbindung über den GPS-Anschluss herstellen (die Nummer des zu verwendenden seriellen Ausgangs hängt von Ihrem PDA bzw.

Smartphone ab).

Auf Ihrem Gerät ist dann die Konfiguration NMEA 0183v2 9600 auszuwählen, sobald die Navigationssoftware Sie zu dieser Angabe auffordert.

Verschiedene Status sind möglich:

- ♦ Status 1: Keine GPS-Verbindung – Keine Positionsbestimmung (Satellitensymbol grau abgeblendet)
- ♦ Status 2: Keine GPS-Verbindung – Die Positionsbestimmung ist erfolgt (farbiges Satellitensymbol)
- ♦ Status 3: GPS-Verbindung – Keine Positionsbestimmung (Satellitensymbol grau abgeblendet, zusätzliches Sendesymbol)
- ♦ Status 4: GPS-Verbindung – Positionsbestimmung ist erfolgt (farbiges Satellitensymbol, zusätzliches Sendesymbol)

Anmerkung: Die durchgeführte Positionsbestimmung verweist auf die Gültigkeit der von der Freisprecheinrichtung empfangenen Satellitendaten.

Vorgehensweise für den Aufbau einer Verbindung zum GPS-Dienst:

1. Es besteht bereits eine Bluetooth-Verbindung zu Ihrem Mobiltelefon:

- ♦ Trennen Sie die Verbindung zu Ihrem Telefon (halten Sie die rote Taste auf der Freisprecheinrichtung 2 Sekunden lang gedrückt). Die Freisprecheinrichtung weist dann Status 1 oder 2 (wenn die Position bestimmt wurde) auf.
- ♦ Stellen Sie ausgehend von Ihrer Navigationssoftware (auf dem PDA oder Smartphone) eine Verbindung zum GPS-Dienst

des 3400LS-GPS her. Die Freisprecheinrichtung weist dann Status 3 oder 4 auf.

- Nach dem Aufbau der Verbindung erscheint ein Sendesymbol unter dem Satelliten. Wird der Satellit farbig dargestellt, dann wurde die Position erfolgreich bestimmt (die Freisprecheinrichtung weist Status 4 auf). In der oberen rechten Ecke des Bildschirms wird zudem die bereits zurückgelegte Strecke angegeben.
- Bei aktiver GPS-Verbindung stellt die Freisprecheinrichtung automatisch wieder eine Verbindung zum Telefondienst Ihres Telefons her.

2. Es besteht keine Bluetooth-Verbindung zu Ihrem Mobiltelefon:

- Stellen Sie ausgehend von Ihrer Navigationssoftware (auf dem PDA oder Smartphone) eine Verbindung zum GPS-Dienst des 3400LS-GPS her. Die Freisprecheinrichtung weist dann Status 3 oder 4 auf.
- Nach dem Aufbau der Verbindung erscheint ein Sendesymbol unter dem Satelliten. Wird der Satellit farbig dargestellt, dann wurde die Position erfolgreich bestimmt (die Freisprecheinrichtung weist Status 4 auf). In der oberen rechten Ecke des Bildschirms wird zudem die bereits zurückgelegte Strecke angegeben.
- Sie können jetzt Ihr Telefon koppeln bzw. eine Verbindung zu Ihrem Telefon herstellen.

Sprachanweisungen Ihres Navigationssystems

Nach dem Aufbau der Verbindung zum GPS-Dienst können die Sprachanweisungen über die Lautsprecher im Wagen wiedergegeben werden. Damit sind ideale

Navigationsbedingungen gegeben (diese Funktion steht nur mit bestimmten PDA- und Smartphone-Typen zur Verfügung und hängt zudem von Ihrer Software ab).

Dazu brauchen Sie lediglich auf Ihrem PDA oder Smartphone den mit der Freisprecheinrichtung verfügbaren Kopfhörer/Headset-Dienst aktivieren.

Wenn eine Verbindung zum GPS-Modul der Freisprecheinrichtung besteht, werden alle ein- und ausgehenden Anrufe automatisch verwaltet, um eine optimale Nutzung des Telefondienstes zu gewährleisten.

GPS-MENÜ

Im GPS-Menü können Sie den GPS-Dienst vollständig deaktivieren, wenn der Zugriff Dritter auf diesen Dienst verhindert werden soll. Darüber hinaus stehen nach dem GPS-Verbindungsaufbau Menüs zur individuellen Gestaltung der Anzeige bereit: Anzahl der Satelliten, Entfernung (Kilometer oder Meilen) usw.

Anmerkung: Wenn Ihr Kraftfahrzeug mit einer athermischen Windschutzscheibe ausgestattet ist, ist der Empfang des GPS-Signals u. U. von schlechter Qualität. In diesem Fall kann eine externe Antenne hinzugefügt werden, die mit der Rückseite des Bildschirms verbunden wird. Diese Antenne erhalten Sie bei Ihrem Fachhändler.



HOTLINE

Unsere Hotline steht zu Ihrer Verfügung - per E-Mail oder Telefon:
Montag bis
Freitag von 9:00 Uhr bis 18:00 Uhr (GMT +1).

Weitere Informationen finden Sie auf unserer Website www.parrot.biz.



NOTES

3200 LS-COLOR / 3400 LS-GPS

Bruksanvisning

English

Deutsch

Svenska

Dansk

Norsk

INLEDNING

Bluetooth® -teknologin möjliggör röst- och datakommunikation genom radioförbindelse på kort avstånd. Den gör det möjligt för ett stort antal elektroniska apparater att kommunicera med varandra, bland annat telefoner och handsfreeutrustningar.

Tack vare en mångårig erfarenhet inom signalbehandling och röstigenkänning kan Parrot lansera en handsfreeutrustning med en ljudkvalitet i kommunikation som är ännu bättre.

Tack för att du köpte en handsfreeutrustning från Parrot. Med Parrot 3200 LS-COLOR kan du ringa telefonsamtal från bilen utan att lyfta händerna från ratten.

Med sitt färggränssnitt och sin anpassbara bakgrund är Parrot 3200 LS-COLOR en ytterst användarvänlig handsfreeutrustning.

Den fungerar som en riktig tilläggsutrustning till din mobiltelefon. Vi hoppas den uppfyller alla dina förväntningar.

I EMBALLAGET INGÅR

- LCD-färgskärm.
- Installationskabel.
- Elektronisk styrbox.
- Bruksanvisning.
- Hållare för fastsättning.
- Mikrofon.

INSTALLATION

Välj först platsen där du vill ha färgskärmen i bilkupén. Vi

rekommenderar att placera den mitt på instrumentpanelen eller i närheten av dig.

Kontrollera att du ser skärmen bra och att den inte stör dig när du ser ut på vägen. Då handsfreeutrustningen är färdigt installerad och tagits i bruk, kan du justera skärmens ljusstyrka. För mikrofonuttaget finns två möjliga platser: antingen strax bredvid skärmen eller på kabeln som anslutits nedanom skärmen. Mikrofonen placeras till vänster om backspegeln, för en bättre ljudkvalitet.

Installationskabeln är utrustad med ISO-anslutningar och en «line out»-utgång för anslutning direkt till förstärkaren, om du har en sådan.

Bilradio med «line in»-ingångar:

Använd företrädesvis denna typ av ingång vid anslutning av den bruna och den vita (eller den röda och den svarta) kabeln samt den gula mutekabeln till baksidan av bilradion.

Bilradio med ISO-anslutning:

Ta loss ljudkabeln och matarkabeln från bilradion. Koppla anslutningarna av hontyp på kabeln i utrustningen till bilradion. Anslut bilens ljudkabel och matarkabel till anslutningarna av hantyp.

Om bilradion har en muteingång skall den gula tråden i kabeln som ingår i utrustningen anslutas till en av muteingångarna 1, 2 eller 3.

Bilradio utan ISO-anslutningar:

Du bör skaffa en adapterkabel (ISO).

Installation av kabeln som ingår i utrustningen:

. Den röda tråden i kabeln skall anslutas till permanent +12V, den orangea till 12V efter tändning och den svarta till jord.

. Kontrollera kopplingsschemat för bilradions ISO-kabelhärva.

I vissa bilar måste den röda och den orangea tråden kastas om.

Detta ingrepp sker helt enkelt genom att kasta om de två säkringshållarna.

. Anslut inte den orangea tråden till permanent 12V, det skulle kunna ladda ur bilens batteri.

Kontroll av installationen:

. Om din 3200 LS-COLOR är rätt installerad, bör du kunna se meddelandet «goodbye» (på återseende) på skärmen då du slår ifrån tändningen i bilen.

Annars betyder det att nyckelns 12V och permanent 12V är omkastade.

I så fall skall de två säkringshållarna på matarkabeln i utrustningen kastas om.



SAMMANKOPPLING MED DIN TELEFON: Den första användningen

Vid den första påslagningen av 3200 LS-COLOR skall du sammankoppla din telefon med utrustningen.

- . Aktivera Bluetooth på din telefon.
- . Navigera i handsfreeutrustningens menyer fram till: Preferenser, Koppla telefon..., och välj det alternativ som motsvarar din telefon. En 4-siffrig PIN-kod visas då på skärmen. Lagra den.
- . Starta en sökning av kringutrustning:

Ytterligare information om detta moment hittar du i bruksanvisningen för din telefon (kapitlet Bluetooth) eller på vår webbplats: www.parrot.biz, under rubriken handledning för användaren.

. Då sökningen är avslutad visas «Parrot 3200LS / Parrot 3400LS» på telefonen.

. Välj utrustningen, din telefon ber dig knappa in en kod: tryck koden som visas på utrustningens skärm och validera på telefonen.

. «Sammankoppling pågår» visas på utrustningens skärm.

. Då alla data har utväxlats visas «sammankopplingen avslutad» på 3200 LS-COLOR.

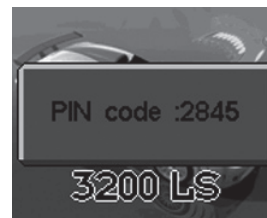
. 3200 LS-COLOR är då ansluten till din telefon.

Då förbindelsen har upprättats visas Bluetooth-logon på skärmen (utom på vissa telefoner som använder Headsetprofil).

. Vissa telefoner erbjuder extra funktioner, som t. ex. visning av telefonens namn på utrustningens skärm, visning av nätets och batteriets nivå samt namnet på din nätoperatör.

Du kan visa menyerna och få deras namn angivet av handsfreeutrustningen genom att vrida på tumhjulet. Gå in i menyerna genom att trycka på den gröna knappen (eller tumhjulet). För att gå ut trycker du på den röda knappen.

Du kan nu använda handsfreeutrustningen för dina telefonsamtal.



- . **Ta emot ett samtal:** tryck på den gröna knappen för att svara.
- . **Avsluta ett samtal:** tryck på den röda knappen.
- . **Återuppringningsfunktion:** tryck två sekunder på den gröna knappen på handsfreeutrustningen för att ringa upp det senast uppringda numret på nytt.
- . **Volyminställning:** vrid på tumhjulet under samtalet för att justera ljudvolymen.

FUNKTIONER

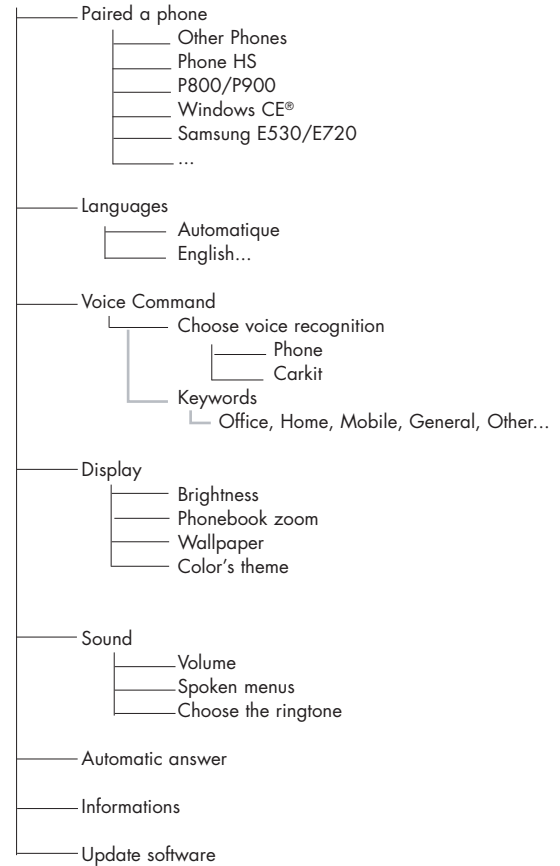
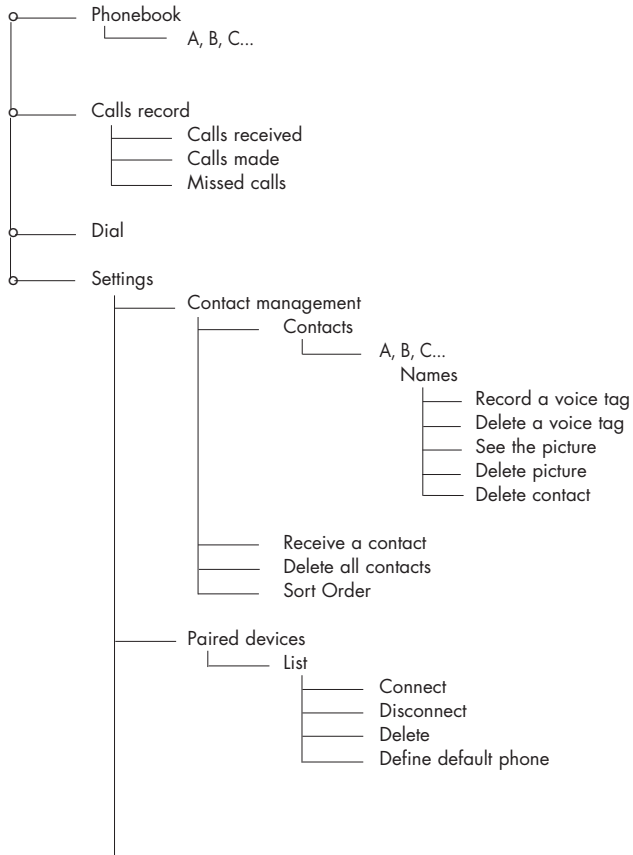
På utrustningens skärm ges de viktigaste uppgifterna om din telefon, bl.a. din katalog.

- ♦ Automatisk nedladdning av din telefonkatalog.
- ♦ Visning av namn och bild på den person som ringer.
- ♦ Uppringning av kontakter med hjälp av röstigenkänningen som ingår i systemet.
- ♦ Bortkoppling av bilradion under samtalet.
- ♦ Samtalslogg.
- ♦ Inställning av ljudvolymen under samtalet.
- ♦ Hantering av förfrågningssamtal.
- ♦ Automatisk återuppringning av senast slagna nummer.
- ♦ Ändring av skärmbakgrund.
- ♦ Inställning av ljusstyrkan.
- ♦ Val av ringsignal.
- ♦ Inställning av språk.
- ♦ DTMF: vid samtal från din brevlåda, tryck på tumhjulet för att komma åt siffrorna för hantering av dina meddelanden.

Obs: Vissa av dessa funktioner är beroende av din telefon.



MENYER



VISA MENYERNA

Katalog

Efter sammankopplingen med 3200 LS-COLOR synkroniseras din katalog automatiskt (*). Då synkroniseringen är avslutad kan du komma åt telefonens katalog från handsfreeutrustningens skärm. För att komma åt den och ringa upp ett nummer vrider du på tumhjulet för att visa menyerna och sedan väljer du Katalog. Bläddra fram bokstäverna ända tills du kommer till den första bokstaven i namnet på denna person och godkänner. Där hittar du namnet och de olika telefonnumren till personen. Välj det telefonnummer som skall ringas upp.

(*) Beror på din Bluetooth-telefonmodell. Besök vår webbplats www.parrot.biz där du hittar de senaste upplysningarna om synkroniseringen.

Samtalslogg

Denna rubrik visar listan över samtal och är indelad i tre undermenyer:

Missade samtal / Mottagna samtal / Ringda samtal.

Den synkroniseras automatiskt med loggen i din telefon (*) och du kan visa den för att ringa upp en person från vilken du missat ett samtal.

- ♦ Välj kontakten i dessa menyer.
- ♦ Tryck på tumhjulet eller den gröna knappen för att ringa upp numret på nytt.

(*) Beror på din Bluetooth-telefonmodell

Slå ett nummer

Välj denna meny för att slå ett nummer direkt från handsfreeutrustningen.

- ♦ Vrid och tryck på tumhjulet för att välja en siffra.
- ♦ Ikonen för papperskorgen raderar den senaste siffran.
- ♦ Då numret har knappats in trycker du på grön knapp för att ringa upp.

PREFERENSER

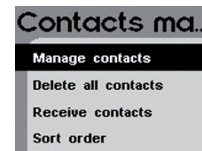
Denna meny ger dig möjlighet att använda din 3200 LS-COLOR ännu enklare.

Hantera kontakterna

Denna meny ger dig möjlighet att hantera kontakterna i Parrot 3200 LS-COLOR. Då du har valt en kontakt i listan (visa meny Hantera kontakter) kan du lagra eller ta bort ett röstavtryck, visa eller radera fotot eller ta bort kontakten ur katalogen.

För att ta emot en kontakt med tillhörande foto (om telefonen stöder detta), markerar du Ta emot en kontakt. Från telefonen väljer du den kontakt du vill få sänd till handsfreeutrustningen av Bluetooth. När sedan denna person ringer upp dig, kommer hans/hennes foto och namn att visas på utrustningens skärm. Du kan även ändra ordningsföljden tillnamn-förnamn till förnamn-tillnamn.

Slå upp i bruksanvisningen för telefonen eller besök vår webbplats www.parrot.biz/guide_CHM/3200LS_COLOR/index.html.



RÖSTIGENKÄNNING

Val av röstigenkänningen

Röstigenkänningen i 3200 LS-COLOR är komplettare och kraftigare än hos telefoner och fungerar även i en bullersam miljö.

- **Röstigenkänning carkit:** de valda röstavtrycken är de som lagras i handsfreeutrustningens minne.

- **Röstigenkänning telefon:** de valda röstavtrycken är de som lagras i telefonens minne.

Nyckelord

Inspelningen av nyckelord ger dig möjlighet att ringa utan att behöva lyfta händerna från ratten.

Du kan styra hela förbindelsen med rösten.

Nyckelord : hem, arbete, mobil, allmän, annan.

Med nyckelorden går det att välja önskat telefonnummer om kontakten har flera olika nummer.

Alla nyckelord måste vara inspelade för att vara giltiga.

Då nyckelorden har spelats in, måste du utföra följande sekvens för att ringa ett samtal med hjälp av röstigenkänningen:

Tryck på den gröna knappen och säg efter signalen: «Niklas... (pip)...arbete...» om du vill ringa upp Niklas på numret för hans arbetsplats.

Sammankopplade apparater

3200 LS-COLOR ger dig möjlighet att koppla upp till 5 Bluetooth-

telefoner, men en enda kan anslutas vid ett användningstillfälle. Menyn Sammankopplade apparater ger dig möjlighet att ansluta, frikoppla eller ta bort en telefon ur handsfreeutrustningens minne. Från Definiera favorittelefon kan du styra prioriteringen av Bluetooth-telefonen vid förbindelser med flera telefoner i bilen.

Märk: Då du tar bort en sammankoppling förlorar du alla de röstavtryck som hade tilldelats kontakterna för denna telefon.

Anpassa en telefon

Innan du anpassar din Bluetooth-telefon skall du aktivera det läge som motsvarar Bluetooth-telefonen.

De olika alternativen är:

- Annan telefon
- Headsettelefoner
- P800-P900
- Windows CE
- E720-E530
- Sony-Ericsson K600, K750
- Samsung E530, E620, E720

Då läget markerats visas en (slumpmässig) 4-siffrig kod.

Starta sökningen av Bluetooth-kringutrustning från din telefon.

Då handsfreeutrustningen hittats markerar du den och knappar in koden.

Obs: För en bättre kompatibilitet med telefoner kan nya anpassningsmetoder eventuellt läggas till i de kommande versionerna.

Språk

Markera språket för visning av menyerna i din 3200 LS-COLOR.

Visning

4 rubriker ger dig möjlighet att anpassa visningen av informationer:

- **Ljusstyrka:** Vrid på tumhjulet för att erhålla önskad nivå och bekräfta genom att klicka på det.
- **Zoom i katalog:** Möjliggör visning på 3 eller 4 rader i meny Katalog.
- **Bakgrund:** Ger dig möjlighet att välja en bakgrundsbild.
- **Tema:** Motsvarar valet av ett färgtema.

Ljud

- **Volym:** Använd tumhjulet för att justera volymnivån för samtal och känslighetsnivån för mikrofonerna.
- **Talmenyer:** Justera volymen för prompterna i handsfreeutrustningen till önskad nivå.
- **Val av ringsignal:** För telefoner som inte spelar sin ringsignal vid inkommande samtal väljer du den ringsignal du vill höra då en person ringer upp dig.

Automatiskt svar

Aktivera denna funktion om du vill att 3200 LS-COLOR automatiskt besvarar inkommande samtal. Denna meny ger dig möjlighet att visa information om den installerade mjukvarans version.

UPPDATERING

Du kan uppdatera mjukvaruversionen i din 3200 LS-COLOR med Bluetooth. Aktivera denna funktion före uppdateringen. Detta utförs av Bluetooth från en dator som är utrustad med Bluetooth. Uppdateringen möjliggör nya funktioner och förbättrar kompatibiliteten med avancerade funktioner hos ett större antal telefoner.

Besök vår webbplats för ytterligare information: www.parrot.biz

PARROT 3400LS-GPS

Utrustningen Parrot 3400LS-GPS omfattar en GPS-modul (Global Positioning System) som ger information om var fordonet befinner sig för ögonblicket. Denna information är disponibel via Bluetooth på en kanal som är tillgänglig med flertalet PDA och Smartphones, om dessa är utrustade med en mjukvara för navigering.

Förfarande för anslutning till GPS-tjänsten

Om du har en navigeringsfunktion i din PDA eller Smartphone, behöver du bara koppla samman denna med Parrot 3400 och öppna en Bluetooth serieanslutning till GPS-porten (numret på den utgående serieporten som skall användas beror på din PDA eller Smartphone).

På din apparat skall konfigurationen NMEA 0183v2 9600 väljas, om din navigationsmjukvara ber dig om denna information.

Flera status är möjliga:

- ♦ Status 1 : Inte ansluten till GPS – Ingen fix (ikon för satelliten skuggad).
- ♦ Status 2 : Inte ansluten till GPS – Fixen är gjord (ikon för satelliten i färg).
- ♦ Status 3 : Ansluten till GPS – Ingen fix (ikon för satelliten skuggad, med en sändningssymbol).
- ♦ Status 4 : Ansluten till GPS – Fixen är gjord (ikon för satelliten i färg, med en sändningssymbol).

Obs: Fix anger att de satellitdata som tagits emot av handsfreeutrustningen är giltiga.

Förfarande för anslutning till GPS-tjänsten:

1. Om du redan är Bluetooth-ansluten med din telefon:

- ♦ Koppla ur din telefon (tryck 2 s på den röda knappen på handsfreeutrustningen). Den sistnämnda befinner sig då i status 1 eller 2 (om fixen är gjord).
- ♦ Med din navigationsmjukvara (som är installerad i din PDA eller Smartphone) kan du koppla upp dig till GPS-tjänsten för 3400LS-GPS. Handsfreeutrustningen befinner sig då i status 3 eller 4.
- ♦ Då du är ansluten visas en sändningssymbol under satelliten. Om satelliten är i färg, är fixen upprättad (handsfreeutrustningen i status 4). Du informeras även om den körda sträckan som visas uppe till höger på skärmen.
- ♦ Då GPS-anslutningen är upprättad kopplar utrustningen upp sig automatiskt på nytt till telefonitjänsten för din telefon.

2. Om du inte är Bluetooth-ansluten med din telefon:

- ♦ Med din navigationsmjukvara (som är installerad i din PDA eller Smartphone) kan du koppla upp dig till GPS-tjänsten för 3400LS-GPS. Handsfreeutrustningen befinner sig då i status 3 eller 4.
- ♦ Då du är ansluten visas en sändningssymbol under satelliten. Om satelliten är i färg, är fixen upprättad (handsfreeutrustningen i status 4). Du informeras även om den körda sträckan som visas uppe till höger på skärmen.
- ♦ Du kan nu para ihop/ansluta din telefon.

Röstinstruktioner i navigationssystemet

Då GPS-tjänsten är ansluten är det möjligt att lyssna på röstinstruktioner via högtalarna i bilen. Navigeringen sker då i bättre förhållanden (denna funktion är disponibel bara med vissa typer av PDA eller Smartphone och kan även bero på mjukvaran).

För detta behöver du bara från din PDA eller Smartphone öppna tjänsten Headset som är disponibel på handsfreeutrustningen.

Då du är ansluten till GPS-tjänsten för handsfreeutrustningen, hanteras de inkommande och utgående samtalen automatiskt, så att du kan använda telefonitjänsten på bästa sätt.

MENYN GPS

I denna rubrik kan du fullständigt avaktivera GPS-tjänsten, för att undvika att någon kopplar upp sig till denna tjänst.

Du har även tillgång till menyer som gör det möjligt att anpassa visningen efter anslutning till GPS: antalet satelliter, distans (kilometer eller miles)...

Obs: Om din bil är utrustad med en värmedämpande vindruta, kan mottagningen av GPS-signalen vara av dålig kvalitet. I så fall går det att lägga till en yttre antenn, som ansluts till skärmens baksida. Kontakta leverantören för att skaffa de



HOTLINE

Vår hotline står till din tjänst.

Du kan kontakta den via e-post eller per telefon.

Måndag till fredag, från kl. 9.00 till kl. 18.00 (GMT +1).

Koppla upp dig till vår webbplats www.parrot.biz för ytterligare information.



NOTES

NOTES

3200 LS-COLOR / 3400 LS-GPS

Brugsanvisning

English

Deutsch

Svenska

Dansk

Norsk

INTRODUKTION

Med Bluetooth®-teknologien kan der oprettes tale- og datakommunikation via en radioforbindelse over kort afstand. Teknologien giver forskelligt elektronisk udstyr mulighed for at kommunikere indbyrdes, blandt andet mobiltelefoner og håndfrie sæt.

Parrot benytter sine mange års erfaring i signalbehandling og stemmegenkendelse til at introducere et håndfrit sæt med en højere lyd kvalitet under kommunikation.

Tak, fordi du har købt et håndfrit sæt fra Parrot. Med Parrot 3200 LS-COLOR kan du foretage telefonopkald fra bilen, mens du holder hænderne på rattet.

Med farvebrugerfladen og den brugervalgte baggrund er Parrot 3200 LS-COLOR det mest brugervenlige håndfrie sæt. Det fungerer som en forlængelse af din mobiltelefon. Vi håber, du bliver fuldt tilfreds med dit valg.

PAKKENS INDHOLD

- LCD-farveskærm
- Installationskabel
- Elektronikboks
- Brugsanvisning
- Holder
- Mikrofon

INSTALLATION

Vælg først det sted, hvor farveskærmen skal monteres i bilen. Vi anbefaler, at den placeres midt på instrumentbrættet eller tæt på førerpladsen.

Sørg for, at skærmens vinkel er god, og at skærmen ikke generer førerens udsyn over vejen. Når det håndfrie sæt er fuldt installeret og taget i brug, kan skærmens lysstyrke indstilles. Mikrofonstikket kan installeres på to forskellige steder efter eget valg. Enten direkte på siden af skærmen eller på kablet, der er tilsluttet under skærmen. Mikrofonen placeres til venstre for bakspejlet for at opnå den bedste lyd kvalitet.

Installationskablet er udstyret med ISO-stik og en «line out»-udgang, så det kan tilsluttes direkte på forstærkeren, hvis det er relevant.

Bilradio med "line in"-indgange

Brug helst denne type forbindelse ved at tilslutte den brune og hvide (eller røde og sorte) ledning samt den gule ledning til Mute bag på radioen.

Bilradio med ISO-stik

Frakobl bilradioens ledningsnet til lyd og strømforsyning. Tilslut hunstikkene på det håndfrie sæts ledning til bilradioen. Slut bilens ledningsnet til lyd og strømforsyning til hanstikkene.

Hvis bilradioen er udstyret med en Mute-indgang, skal den gule ledning fra bilsættets kabel sluttes til en af Mute-indgangene, 1, 2 eller 3.µ

Bilradio uden ISO-stik

Du har brug for en "ISO"-kabeladapter.

Installation af bilsættets kabel

. Den røde ledning fra bilsættets kabel skal sluttes til +12 V permanent, den orange ledning til 12 V efter tænding og den sorte ledning til stel.

. Se ledningsdiagrammet over bilradioens ISO-ledningsnet.

På nogle biler skal den røde og orange ledning byttes om.

Det gøres ved at bytte om på de to sikringsholdere.

. Slut ikke den orange ledning til 12 V permanent, da bilens batteri derved kan blive afladet.

Kontrol af installationen

. Hvis 3200 LS-COLOR er korrekt installeret, vises meddelelsen «På gensyn» på skærmen, når du afbryder bilens tænding.

Ellers er 12V og 12V permanent blevet byttet om.

I så fald skal du bytte om på de to sikringsholdere i bilsættets fødekabel



SAMMENKOBLING MED MOBILTELEFONEN Brug første gang

Første gang bilsættet 3200 LS-COLOR tændes, skal mobiltelefonen kobles sammen med det håndfrie sæt.

. Aktiver mobiltelefonens Bluetooth-forbindelse.

. Vælg følgende menupunkter i menuerne på det håndfrie sæt: Indstillinger, Tilkobl telefonen..., og vælg den indstilling, der passer til din telefon. Herefter vises en 4-cifret PIN-kode på skærmen. Gem den.

. Start herefter en søgning efter tilbehør:

Yderligere oplysninger om denne handling finder du i brugsanvisningen til mobiltelefonen (i afsnittet om Bluetooth) eller på webstedet

www.parrot.biz under afsnittet med brugerhåndbøger.

. Når søgningen er afsluttet, vises «Parrot 3200LS / Parrot 3400LS» på mobiltelefonen.

. Vælg bilsættet, hvorefter du skal indtaste en kode på telefonen. Indtast den kode, der vises på bilsættets skærm, og godkend på mobiltelefonen.

. «Tilkobling i gang» vises på bilsættets skærm.

. Når oplysningerne er udvekslet, vises «Tilkobling udført» på 3200 LS-COLOR.

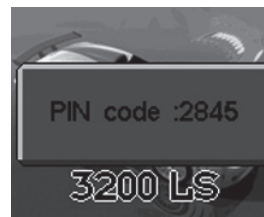
. Herefter opretter 3200 LS-COLOR forbindelse til din mobiltelefon.

Når forbindelsen er oprettet, vises Bluetooth-logoet på skærmen (undtagen hvis telefonen er udstyret med profilen Headset).

. Nogle telefoner indeholder yderligere funktioner, f.eks. visning af mobiltelefonens navn på bilsættets skærm, visning af netværkets niveauer og batteriets ladestand foruden teleoperatørens navn.

Du har adgang til menuerne, og navnet siges højt via det håndfrie sæt, når du drejer på indstillingsknappen. Åbn en menu ved at trykke på den grønne knap (eller på indstillingsknappen). Tryk på den røde knap for at afslutte menuen.

Du kan nu benytte det håndfrie sæt til at kommunikere.



. **Modtage et opkald:** Tryk på den grønne knap for at modtage opkaldet.

. **Afslutte et opkald:** Tryk på den røde knap.

. **Funktionen Genkald:** Tryk i to sekunder på bilsættets grønne knap for at ringe til det senest indtastede nummer igen.

. **Indstilling af lydstyrken:** Drej på indstillingsknappen under samtale for at justere lydstyrken

FUNKTIONER

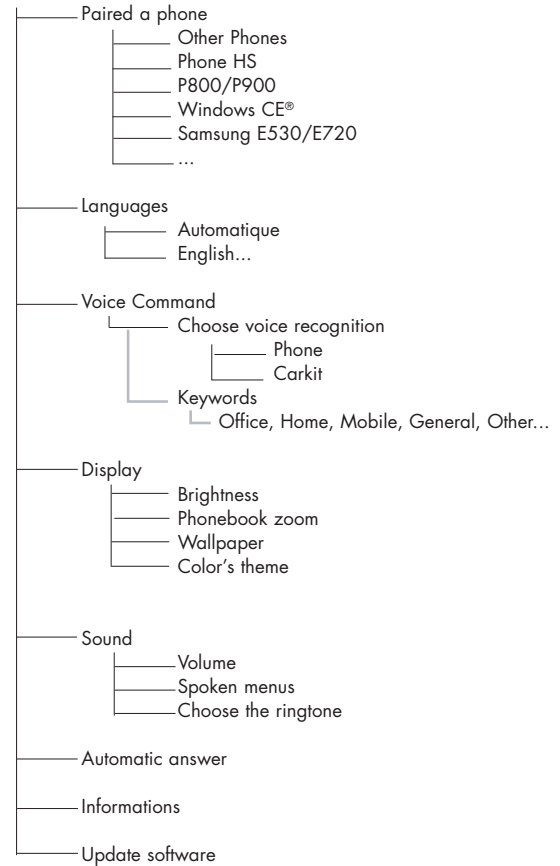
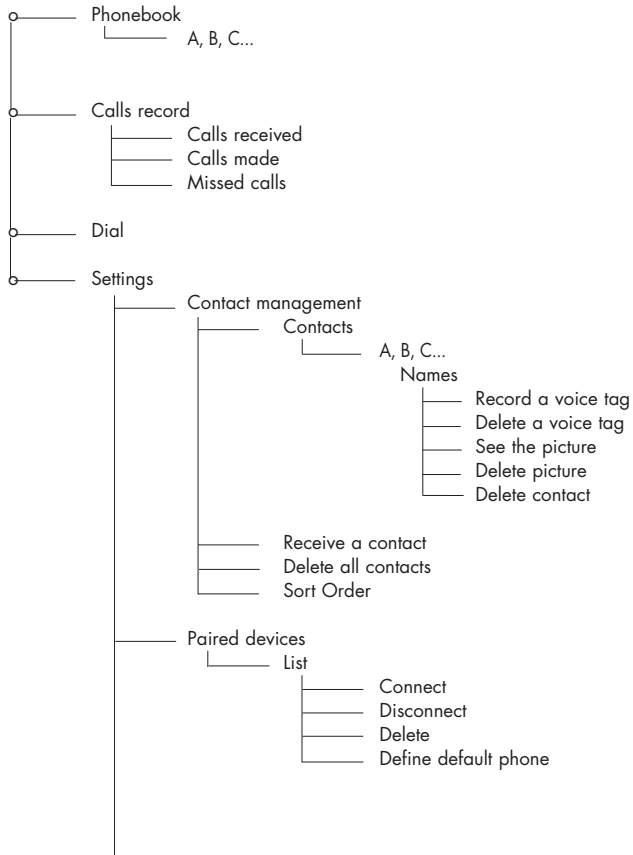
På bilsættets skærm vises de væsentligste oplysninger, du har gemt på telefonen, blandt andet telefonlisten.

- ♦ Automatisk overførsel af telefonens telefonliste.
- ♦ Visning af navnet på den person, der ringer, samt personens billede.
- ♦ Opkald til kontaktpersoner ved hjælp af bilsættets funktion til stemmegenkendelse.
- ♦ Afbrydelse af bilradioen under samtale.
- ♦ Opkaldsoversigt.
- ♦ Regulering af lydstyrken under samtale.
- ♦ Styring af to samtidige opkald.
- ♦ Automatisk genkald af den person, der senest er ringet til.
- ♦ Skift af baggrundsbilledet.
- ♦ Indstilling af lysstyrken.
- ♦ Valg af ringetonen.
- ♦ Indstilling af sprog.
- ♦ DTMF: Hvis du vil ringe til din telefonsvarer, skal du trykke på indstillingsknappen for at få adgang til de tal, der skal bruges til at håndtere meddelelserne.



Bemærk! Visse funktioner afhænger af telefonens model.

MENUER



ADGANG TIL MENUERNE

Telefonliste

Når mobiltelefonen er koblet sammen med 3200 LS-COLOR, begynder synkroniseringen af telefonen automatisk (*). Når telefonlisten er synkroniseret, vil telefonens telefonliste være tilgængelig fra det håndfrie sæts skærm. Drej indstillingsknappen for at få adgang til menuerne, og vælg Telefonliste for at ringe til en person på listen. Rul gennem bogstaverne, indtil det første bogstav i den ønskede persons navn vises, og godkend. Herefter vises den pågældende persons navn og de forskellige telefonnumre. Vælg det nummer, du vil ringe til.

(*) Afhænger af Bluetooth-telefonens model. De seneste oplysninger om synkronisering kan du læse på vores internetside på adressen: www.parrot.biz.

Opkaldsoversigt

Under dette emne vises opkaldslisten, der er opdelt i tre undermenyer:

Ubesvarede opkald / Modtagne opkald / Udgående opkald.

Den synkroniseres automatisk med telefonens telefonliste (*), og du kan åbne den for at ringe til en person, hvis opkald du ikke besvarede.

- ♦ Vælg kontaktpersonen i menuen.
- ♦ Tryk på indstillingsknappen eller på den grønne knap for at ringe op

(*) Afhænger af Bluetooth-telefonens model.

Indtastning af nummer

Vælg denne menu for at indtaste et nummer direkte fra bilsættet.

- ♦ Drej indstillingsknappen, og tryk på den for at vælge et ciffer.
- ♦ Papirkurvs-ikonet sletter det sidste ciffer.
- ♦ Når nummeret er indtastet, skal du trykke på den grønne knap for at aktivere opkaldet.

INDSTILLINGER

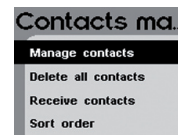
Denne menu bruges til at vælge personlige indstillinger for 3200 LS-COLOR.

Håndtering af kontaktpersoner

Denne menu bruges til at håndtere kontaktpersonerne på Parrot 3200 LS-COLOR. Når du har valgt en kontaktperson på listen (åbn menuen Håndter kontaktpersoner), kan du gemme eller slette en stemmekode, se eller slette et foto eller slette kontaktpersonen fra telefonlisten. Du kan modtage en kontaktperson med det tilhørende billede (hvis funktionen understøttes af telefonen) ved at vælge Modtag kontaktperson. Vælg den kontaktperson, der skal sendes via Bluetooth til det håndfrie sæt, på mobiltelefonen. Når denne person herefter ringer til dig, vises personens billede og navn på bilsættets skærm. Du kan også bytte om på sorteringssækkefølgen: Skift fra efternavn-fornavn til fornavn-efternavn.

Se telefonens brugsanvisning, eller læs mere på:

www.parrot.biz/guide_CHM/3200LS_COLOR/index.html



STEMMEGENKENDELSE

Valg af stemmegenkendelse

Funktionen Stemmegenkendelse på 3200 LS-COLOR er mere komplet og solid end telefonens funktion, og den virker i støjfyldte områder.

- **Stemmeenk. bilsæt:** De valgte stemmekoder er indtalt i det håndfrie bilsæts hukommelse.
- **Stemmeenk. telefon:** De valgte stemmekoder er indtalt i telefonens hukommelse.

Nøgleord

Ved hjælp af disse nøgleord kan du telefonere uden at slippe rattet med hænderne.

Du kan styre hele samtalen med stemmen.

Nøgleord: Hjemme, Arbejde, Mobil, Generelt og Andet.

Nøgleordene bruges til at vælge det ønskede telefonnummer, når en kontaktperson har flere numre.

Alle nøgleord skal være indkodet, før de kan bruges.

Når nøgleordene er indkodet, skal du udføre denne sekvens for at ringe op ved hjælp af funktionen Stemmegenkendelse:

Tryk på den grønne knap, og sig følgende ord efter bilyden: «Nils...(bilyd)...Arbejde...». Herefter ringes der op til Nils på det telefonnummer, som er indkodet under Arbejde.

Tilkoblede apparater

Med 3200 LS-COLOR kan du tilkoble op til 5 Bluetooth-mobiltelefoner. Der kan dog kun være én mobiltelefon tilsluttet ad gangen.

Du kan tilkoble, frakoble og slette en telefon i bilsættets hukommelse via menuen Tilkoblede apparater. Med menupunktet Vælg foretrukken telefon kan du styre den prioritering, du giver Bluetooth-telefonen, når der er flere tilkoblede telefoner i bilen.

Obs:

Når en tilkobling slettes, mistes alle de stemmekoder, der er tildelt denne telefons kontaktpersoner.

Parvis kodning af en telefon

Før du koder Bluetooth-telefonen, skal du aktivere den funktion, der svarer til Bluetooth-telefonen.

Der findes følgende mulige funktioner:

- Anden telefon
- Headset-telefoner
- P800-P900
- Windows CE
- E720-E530
- Sony-Ericsson K600, K750
- Samsung E530, E620, E720

Når funktionen er valgt, vises en 4-cifret kode (vilkårlig).

Start søgningen efter Bluetooth-tilbehør fra telefonen.

Når det håndfrie sæt er fundet, skal du vælge det og indtaste denne kode.

Bemærk! Der kan blive tilføjet nye kodningsfunktioner i senere versioner for at opnå større kompatibilitet med telefonerne.

Sprog

Vælg et sprog til menuerne på 3200 LS-COLOR.

Skærm

Du kan vælge personlige indstillinger for skærmvisningen med følgende fem menupunkter:

- **Lysstyrke:** Brug indstillingsknappen til at vælge det ønskede niveau, og godkend med et tryk på knappen.
- **Zoom på telefonlisten:** Bruges til visning af oplysninger på tre eller fire linjer i menuen Telefonliste.
- **Baggrund:** Du kan vælge et billede som skærmens baggrund.
- **Tema:** Svarer til at vælge et farvetema.

Lyde

- **Lydstyrke:** Brug indstillingsknappen til at justere lydstyrken for en samtale og mikrofonernes følsomhedsniveau.
- **Talemener:** Juster lydstyrken på det håndfrie sæts prompter til det ønskede niveau.
- **Valg af ringetone:** For de telefoner, der ikke afspiller ringetonen ved et indgående opkald, skal du vælge den ringetone, du

foretrækker, når en person ringer til dig.

Automatisk svar

Aktiver denne funktion, hvis 3200 LS-COLOR automatisk skal besvare indgående opkald.

Information

I denne menu vises oplysninger om den indbyggede softwareversion.

OPDATERING

Du kan opdatere softwareversionen på 3200 LS-COLOR via Bluetooth-forbindelsen. Aktiver denne funktion, før du udfører opdateringen.

Opdateringen udføres med Bluetooth-forbindelsen fra en computer, der er udstyret med Bluetooth.

Opdateringen tilføjer nye funktioner og forbedrer kompatibiliteten med de avancerede funktioner på en lang række telefoner.

Du kan finde yderligere oplysninger herom på vores webside: www.parrot.biz

PARROT 3400LS-GPS

Bilsættet Parrot 3400LS-GPS indeholder et GPS-modul (Global Positioning System), som viser køretøjets øjeblikkelige position. Oplysningen sendes via Bluetooth på en kanal, som de fleste PDA'er og Smartphones kan tage, hvis de er udstyret med et navigationsprogram.

Fremgangsmåde for tilslutning til GPS-tjenesten

Hvis der er installeret et navigationsprogram på din PDA eller Smartphone, skal du blot tilkoble enheden til Parrot 3400 og oprette en seriel Bluetooth-forbindelse til GPS-porten (hvilken seriel port du skal anvende afhænger af din PDA eller Smartphone). Den konfiguration, du skal vælge på dit apparat, er NMEA 0183v2 9600, hvis navigationsprogrammet beder om denne information.

Der kan forekomme flere tilstande:

- ♦ Tilstand 1: Ikke tilsluttet GPS - Ingen positionsbestemmelse (satellitikonet er nedtonet).
- ♦ Tilstand 2: Ikke tilsluttet GPS - Positionsbestemmelsen er udført (satellitikonet er farvet).
- ♦ Tilstand 3: Tilsluttet GPS - Ingen positionsbestemmelse (satellitikonet er nedtonet med et symbol for sending).
- ♦ Tilstand 4: Tilsluttet GPS - Positionsbestemmelsen er udført (satellitikonet er farvet med et symbol for sending).

Bemærk: Positionsbestemmelsen betyder, at de satellitdata, der modtages af det håndfrie sæt, er gyldige.

Fremgangsmåde for tilslutning til GPS-tjenesten

1. Hvis du allerede har en Bluetooth-forbindelse med telefonen:

- ♦ Afbryd telefonen (tryk i 2 sekunder på den røde knap på det håndfrie sæt). Det håndfrie sæt er nu i tilstand 1 eller 2 (hvis positionsbestemmelsen er udført).
- ♦ I navigationsprogrammet (installeret på din PDA eller Smartphone) skal du oprette forbindelse til GPS-tjenesten på 3400LS-GPS. Det håndfrie sæt er nu i tilstand 3 eller 4.
- ♦ Når der er oprettet forbindelse, vises et symbol for sending under satellitten. Hvis satellitten er farvet, er positionsbestemmelsen udført (det håndfrie sæt er i tilstand 4). Den tilbagelagte afstand vises også i øverste højre hjørne af skærmen.
- ♦ Når GPS-forbindelsen er etableret, opretter det håndfrie sæt automatisk forbindelse til telefonens telefonitjeneste.

2. Hvis du ikke har en Bluetooth-forbindelse med telefonen:

- ♦ I navigationsprogrammet (installeret på din PDA eller Smartphone) skal du oprette forbindelse til GPS-tjenesten på 3400LS-GPS. Det håndfrie sæt er nu i tilstand 3 eller 4.
- ♦ Når der er oprettet forbindelse, vises et symbol for sending under satellitten. Hvis satellitten er farvet, er positionsbestemmelsen udført (det håndfrie sæt er i tilstand 4). Den tilbagelagte afstand vises også i øverste højre hjørne af skærmen.
- ♦ Nu kan telefonen tilkobles/tilsluttes.

Navigationssystemets taleanvisninger

Når der er oprettet forbindelse til GPS-tjenesten, kan du høre taleanvisningerne gennem bilens højttalere. Vejvisningen udføres således på de bedste betingelser (funktionen er kun tilgængelig med bestemte typer PDA'er eller Smartphones og kan også afhænge af programmet).

Aktiver funktionen Hovedtelefon/Headset, som findes på det håndfrie bilsæt, fra din PDA eller Smartphone.

Når der er oprettet forbindelse til det håndfrie sæts GPS-tjeneste, styres ind- og udgående samtaler automatisk, så du kan anvendes telefonitjenesten under de bedste betingelser.

MENUEN GPS

Under dette menupunkt kan du helt deaktivere GPS-tjenesten for at undgå, at andre opretter forbindelse til tjenesten.

Der er også menuer, hvor du kan vælge personlige indstillinger for visningen, når du har oprettet forbindelse til GPS-systemet: Antal satellitter, afstand (kilometer eller miles) osv.

Bemærk: Hvis bilen er udstyret med en varmeafvisende forrude, kan modtagelsen af GPS-signalet være af dårlig kvalitet. I så fald kan du tilføje en ekstern antenne, der tilsluttes på bagsiden af skærmen. Den kan købes hos forhandleren.



HOTLINE

Vores hotline står til rådighed for at hjælpe.

Du kan kontakte tjenesten via e-mail eller pr. telefon.

Der er åbent fra mandag til fredag fra kl. 9.00 til 18.00 (GMT +1).
Besøg vores websted www.parrot.biz, hvis du ønsker yderligere oplysninger.



NOTES

NOTES

3200 LS-COLOR / 3400 LS-GPS

Bruksanvisning

INNLEDNING

Med Bluetooth® -teknologien kan du opprette tale- og datakommunikasjon via en kortdistanse-radioforbindelse. Med den kan mange elektroniske utstyrsenheter kommunisere seg imellom, spesielt telefoner og håndfrisett.

Parrot drar fordel av mange års erfaring innen signalbehandling og talegjenkjennelse for å innføre et håndfrisett med usedvanlig god samtalekvalitet.

Takk for at du kjøpte et Parrot håndfrisett. Med Parrot 3200 LS-COLOR kan du foreta anrop i bilen med hendene på rattet. Parrot 3200 LS-COLOR har et grensesnitt med farge og en skjermbakgrunn som kan brukertilpasses, og er dermed det håndfrisettet som er mest behagelig å bruke.

Det fungerer som en utvidelse av din mobiltelefon. Vi håper at du vil bli fullt ut fornøyd med det.

PAKKENS INNHOLD

- LCD- fargeskjerm.
- Installasjonsledning.
- Elektronisk enhet.
- Bruksanvisning.
- Festeunderlag.
- Mikrofon.

INSTALLASJON

Først velger du det stedet i bilkupéen din hvor du vil sette fargeskjermen. Vi anbefaler at du setter den midt på dashbordet eller i nærheten av deg.

Sørg for at du har en god synsvinkel på skjermen og at den ikke hindrer utsikten mot veien. Når du har installert håndfrisettet og slått det på, kan du stille inn lysstyrken på skjermen. Mikrofonkontakten kan installeres på to forskjellige steder etter eget valg Direkte på skjermens side, eller på ledningen som er forbundet til skjermens underside. Mikrofonen settes til venstre for bakspeilet for å oppnå bedre lydqualität. Installasjonsledningen har " ISO " -kontakt, og et " line out " -uttak for direkte kobling til en eventuell forsterker.

Bilradio med " line in " -inntak:

Bruk fortrinnsvis denne typen forbindelse ved å forbinde de brune og hvite ledningstrådene (eller sorte og røde) og den gule ledningstråden for Mute bak på bilradioen din.

Bilradio med " ISO " -kontakt:

Frakoble lyd- og strømledningsbuntene og slå på bilradioen. Forbind hannkontaktene i settets ledning til bilradioen. Forbind kjøretøyet's lyd- og strømledningsbunter til hannkontaktene. Hvis bilradioen har Mute-inntak, forbinde du den gule ledningstråden i settets ledning til ett av Mute-inntakene 1, 2 eller 3.

Bilradio uten " ISO " -kontakt:

Du må skaffe deg en " ISO " adapterkabel.

Installasjon av settets ledning:

. Den røde ledningstråden i settets ledning skal være forbundet til den permanente +12V, den oransje ledningstråden til 12V etter tenning og den sorte ledningstråden til jordingen.

. Sjekk strømskjemaet på bilradioens " ISO " ledningsbunt.

På enkelte biler er det nødvendig å ombytte de røde og oransje ledningstrådene.

Denne prosessen utfører du ganske enkelt ved å bytte om de to sikringsholderne.

. Ikke forbind den oransje ledningstråden til den permanente 12V, for da risikerer du å lade ut batteriet.

Kontroll av installasjonen:

. Hvis ditt 3200 LS-COLOR er korrekt installert, ser du meldingen " vi ses " på skjermen når du slår av tenningen.

Hvis ikke betyr det at 12V nøkkel og permanent 12V er ombyttet.

Hvis dette er tilfelle, må du bytte om de to sikringsholderne for settets strømledning.



PAIRING MED DIN TELEFON: Første gangs bruk

Når du slår på 3200 LS-COLOR for første gang, må du foreta pairing av telefonen din med settet.

. Aktiver Bluetooth på din telefon.

. I håndfrisetet navigerer du deg gjennom menyene helt til du kommer til: Preferanser, Foreta pairing av telefon..., og velger det alternativet som samsvarer med din telefon. Det angis så en 4-sifret PIN-kode på skjermen. Husk den.

. Start et søk etter perifere enheter:

Hvis du ønsker ytterligere opplysninger om denne prosessen, kan du lese i bruksanvisningen for din telefon (kapitlet Bluetooth) eller besøk våre sider: www.parrot.biz, rubrikken brukerveiledninger.

. Når søket er avsluttet, angis " Parrot 3200LS / Parrot 3400LS " på din telefon.

. Merk settet og telefonen din ber deg om å taste en kode: Tast den koden som angis på settets skjerm, og bekreft på din telefon.

. " Pairing pågår " angis på settets skjerm.

. Når dataene er utvekslet, angis " pairing avsluttet " på 3200 LS-COLOR.

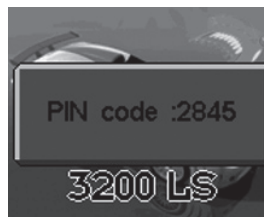
. 3200 LS-COLOR kobler seg da opp til din telefon.

Når forbindelsen er opprettet, angis Bluetooth-logoen på skjermen (unntatt på enkelte telefoner som bruker Headset-profilen).

. Enkelte telefoner har ekstra funksjonaliteter, f.eks. visning av din telefons navn på settets skjerm, visning av dekning og batterinivå, og navnet på operatøren din.

Menyene er tilgjengelige via håndfrisetet og det uttaler også navnene på menyene når du dreier på rulleknappen. Gå inn i menyene ved å trykke på den grønne knappen (eller rulleknappen). For å gå ut av menyene trykker du på den røde knappen.

Nå kan du bruke håndfrisetet for å kommunisere.



. **Motta et anrop:** Trykk på den grønne knappen for å ta anropet.

. **Legge på:** Trykk på den røde knappen.

. **Gjenta siste nummer:** Trykk på settets grønne knapp i to sekunder for å gjenta det nummeret du tastet sist.

. **Justere lydstyrke:** Drei rulleknappen i løpet av en samtale for å justere lydstyrken.

FUNKSJONALITETER

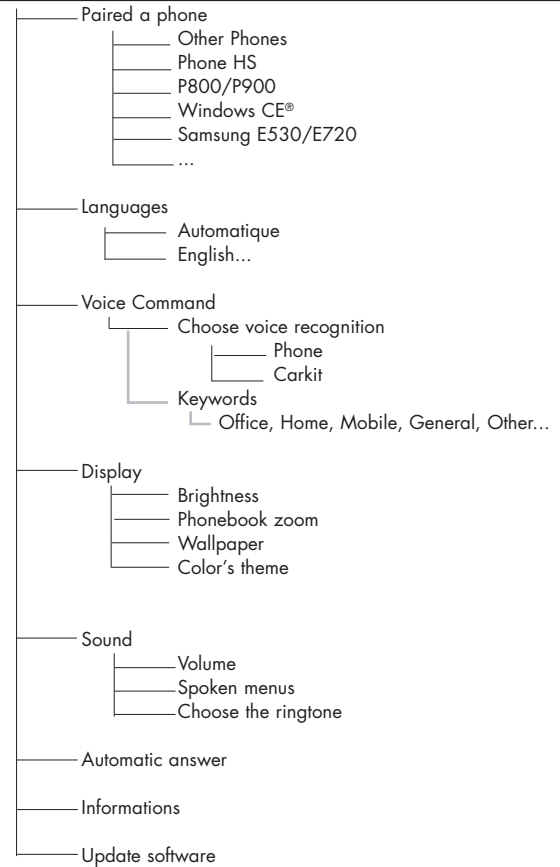
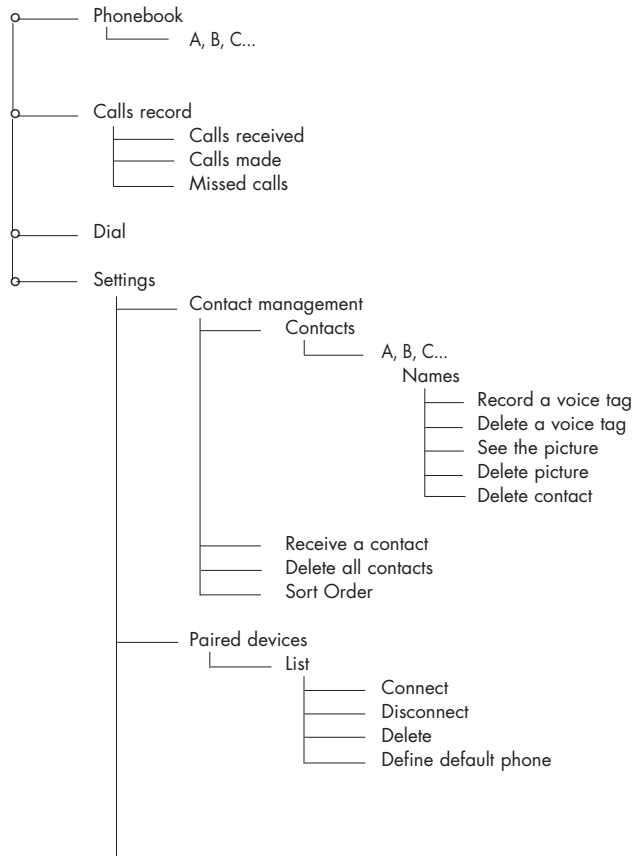
På settets skjerm finner du hovedopplysningene i din telefon, spesielt katalogen din.

- ♦ Automatisk nedlasting av din katalog.
- ♦ Visning av anropers navn og bilde.
- ♦ Anrop til kontakter ved å bruke settets talegjennkjennelse.
- ♦ Bilradioen slås av i løpet av samtalen.
- ♦ Anropsjournal.
- ♦ Justering av lydstyrken i løpet av samtalen.
- ♦ Styring av dobbelt anrop.
- ♦ Automatisk oppringing til siste samtalepartner.
- ♦ Endring av skjermbakgrunn.
- ♦ Innstilling av lysstyrke.
- ♦ Valg av ringetone.
- ♦ Valg av språk.
- ♦ DTMF: Under et anrop fra din meldingsboks, trykk på rulleknappen for å få tilgang til de sifrene som du kan bruke for å styre dine meldinger.

Merk: Noen av disse funksjonalitetene avhenger av din telefon.



MENYER



TILGANG TIL MENYENE

Katalog

Etter at du har foretatt pairing med 3200 LS-COLOR, starter synkroniseringen av katalogen din automatisk (*). Når synkroniseringen er avsluttet, er katalogen i din telefon tilgjengelig fra skjermen på håndfrisettet. For å få tilgang til katalogen og ringe til en av dine samtalepartnere dreier du rulleknappen for å få tilgang til menyene, og velger så Katalog. Bla deg fram gjennom bokstavene til du kommer til den første bokstaven i navnet til denne personen, og bekreft. Der ser du navnet og de forskjellige telefonnumrene til denne personen. Velg så det telefonnummeret du vil ringe.

(*) Avhenger av din Bluetooth telefonmodell. Se våre sider www.parrot.biz for å få vite siste nytt om synkronisering.

Anropsjournal

Denne rubrikken viser anropslisten og deles opp i tre undermenyer:

Ubesvarte anrop / Mottatte anrop / Utførte anrop.

Den synkroniseres automatisk med journalen for din telefon (*), og du kan få tilgang til den for å ringe opp en samtalepartner som har prøvd å ringe deg.

- ♦ Velg kontakten fra disse menyene.
- ♦ Trykk på rulleknappen eller den grønne knappen for å ringe personen opp igjen.

(*) Avhenger av din Bluetooth telefonmodell.

Slå nummer

Velg denne menyen for å slå et nummer direkte fra settet.

- ♦ Drei og trykk på rulleknappen for å velge et siffer.
- ♦ Sjøppekurvikonet sletter det siste sifferet.
- ♦ Når nummeret er slått, trykker du på grønt for å ringe.

PREFERANSER

Denne menyen gjør det behageligere å bruke din 3200 LS-COLOR.

Styre kontakter

Med denne menyen kan du styre kontaktene i Parrot 3200 LS-COLOR. Når du har valgt en kontakt i listen (få tilgang til menyen Styre kontakter), kan du registrere eller fjerne et taleavtrykk, se eller slette bildet, eller fjerne denne kontakten fra katalogen.

For å motta en kontakt med tilknyttet bilde (hvis det støttes av telefonen), velger du Motta en kontakt. Fra telefonen din velger du den kontakten som skal sendes av Bluetooth til håndfrisettet. Fra nå av, når denne personen ringer deg, vises navnet og bildet til denne personen på settets skjerm. Du kan også bytte om sorteringsrekkefølgen: navn-fornavn til fornavn-navn. Se brukerveiledningen til din telefon, eller besøk www.parrot.biz/guide_CHM/3200LS_COLOR/index.html.



TALEGJENKJENNELSE

Talegjenkjennelsesvalg

Talegjenkjennelsen i 3200 LS-COLOR er mer fullstendig og robust enn den i telefonene, og fungerer i støyende omgivelser.

- **Talegj. carkit:** De valgte taleavtrykkene er de som er registrert i håndfrisettminnet.
- **Talegj. telefon:** De valgte taleavtrykkene er de som er registrert i telefonminnet.

Nøkkelord

Registreringen av disse nøkkelordene gjør at du kan ringe mens du holder hendene på rattet hele tiden.

Du kan styre hele samtalen med stemmen din.

Nøkkelord: Hjem, Kontor, Mobil, Generelt, Andre.

Med disse nøkkelordene kan du velge ønsket telefonnummer når en kontakt har flere nummer.

Alle disse nøkkelordene må være registrert for at de skal være gyldige.

Når nøkkelordene er registrert, må du utføre følgende sekvens for å foreta et anrop ved å bruke talegjenkjennelse:

Trykk på den grønne knappen og etter pipelyden sier du: «Knut...(pipelyd)...Kontor...». Og du ringer Knut på det telefonnummeret som er tildelt Kontoret.

Apparater som er pairert

Med 3200 LS-COLOR kan du pare opp til 5 Bluetooth-telefoner,

men det er bare én som kan være oppkoblet i løpet av en sesjon.

Med menyen Apparater som er pairert kan du koble opp, frakoble eller fjerne en telefon fra settets minne. Fra Definer foretrukken telefon, kan du styre fortrinnsretten som er gitt Bluetooth-telefonen i løpet av oppkoblinger med flere telefoner som finnes i bilen.

NB:

Når du fjerner en pairing, mister du alle taleavtrykkene som er tildelt kontaktene i denne telefonen.

Foreta pairing av en telefon

Før du foretar pairing av din Bluetooth-telefon, må du aktivere den modusen som samsvarer med din Bluetooth-telefon.

De forskjellige modusene er:

- Annen telefon
- Headset-telefoner
- P800-P900
- Windows CE
- E720-E530
- Sony-Ericsson K600, K750
- Samsung E530, E620, E720

Når modusen er valgt, vises en 4-sifret kode (tilfeldig).

Start søket etter Bluetooth perifere enheter fra din telefon.

Når håndfrisettet er funnet, merker du det og taster denne koden.

Merk: For å oppnå bedre samsvar med telefonene vil nye pairing-metoder kunne tilføyes i kommende versjoner.

Språk

Velg språk for visning av menyene i din 3200 LS-COLOR.

Display

Det er 4 rubrikker hvor du kan brukertilpasse visningen av opplysninger:

- **Lysstyrke:** Bruk rulleknappen for å oppnå ønsket styrke og bekreft med et klikk på rulleknappen.
- **Katalogzoom:** Muliggjør visning av 3 eller 4 linjer i Katalogmenyen.
- **Skjermbakgrunn:** Lar deg velge et bilde som skjermbakgrunn.
- **Tema:** Samsvarer med et valg av fargetema.

Lyder

- **Lydstyrker:** Bruk rulleknappen for å justere samtalens lydstyrke og mikrofonenes følsomhetsnivå.
- **Talemenyer:** Juster lydstyrken på håndfrisettets talemeldinger til ønsket nivå.
- **Valg av ringetone:** For telefoner som ikke spiller deres ringetone ved et innkommende anrop, velg den ringetonen som du vil høre når en samtalepartner ringer deg.

Automatisk svar

Aktiver denne modusen hvis du vil at 3200 LS-COLOR skal ta de inngående anropene automatisk.

Informasjon

Med denne menyen kan du se opplysninger tilknyttet den integrerte programvareversjonen.

OPPGRADERING

Du kan oppgradere programvareversjonen i ditt 3200 LS-COLOR via Bluetooth. Aktiver denne modusen før oppgraderingen. Den utføres via Bluetooth fra en datamaskin utstyrt med Bluetooth. Med oppgraderingen får du nye funksjonaliteter og bedre samsvar med de avanserte funksjonene i et større antall telefoner.

Besøk våre sider hvis du ønsker ytterligere opplysninger: www.parrot.biz

PARROT 3400LS-GPS

Kitet Parrot 3400LS-GPS inneholder en GPS-modul (Global Positioning System) som angir bilens posisjon i øyeblikket. Denne informasjonen foreligger via Bluetooth på en kanal som de fleste PDAer og Smartphones har tilgang til hvis de er utstyrt med et navigasjonsprogram.

Prosedyre for kobling til GPS-tjenesten

Hvis du har et navigasjonsprogram på din PDA eller din Smartphone, skal denne ganske enkelt kombineres med Parrot 3400, og du åpner så en Bluetooth-seriekobling til GPS-porten (nummeret på den serielle utgangsporten som skal benyttes, avhenger av din PDA eller Smartphone). På ditt apparat velger du konfigurasjonen NMEA 0183v2 9600, hvis ditt navigasjonsprogram ber deg om denne informasjonen.

Flere tilstander kan forekomme:

- ♦ Tilstand 1: Ikke-tilkoblet GPS – Ingen fix-posisjon (nedtonet satellittikon).
- ♦ Tilstand 2: Ikke-tilkoblet GPS – Fix-posisjon etablert (farget satellittikon).
- ♦ Tilstand 3: Tilkoblet GPS – Ingen fix-posisjon (nedtonet satellittikon med et sendesymbol).
- ♦ Tilstand 4: Tilkoblet GPS – Fix-posisjon etablert (farget satellittikon med et sendesymbol).

Merk: Fix-posisjonen angir at satellittdataene mottatt av handsfree-settet er gyldige.

Prosedyre for kobling til GPS-tjenesten:

1. Hvis du allerede er koblet til Bluetooth med telefonen:

- ♦ Koble til telefonen (trykk i to sekunder på den røde knappen på handsfree-settet). Handsfree-settet får da tilstand 1 eller 2 (hvis fix-posisjonen er etablert).
- ♦ Koble deg til GPS-tjenesten til 3400LS-GPS fra ditt navigasjonsprogram (installert på din PDA eller Smartphone). Handsfree-kitet er da i tilstand 3 eller 4.
- ♦ Etter tilkobling vises et sendesymbol under satellitten. Hvis satellitten er farget, er fix-posisjonen etablert (handsfree-kit i tilstand 4). Tilbakelagt strekning vises i øverste høyre hjørne av skjermen,
- ♦ Når GPS-koblingen er etablert, kobler settet seg automatisk på nytt til telefonens telefonitjeneste.

2. Hvis du ikke allerede er koblet til Bluetooth med telefonen:

- ♦ Koble deg til GPS-tjenesten til 3400LS-GPS fra ditt navigasjonsprogram (installert på din PDA eller Smartphone). Handsfree-kitet får da tilstand 3 eller 4.
- ♦ Etter tilkobling vises et sendesymbol under satellitten. Hvis satellitten er farget, er fix-posisjonen etablert (handsfree-kit i tilstand 4). Tilbakelagt strekning vises i øverste høyre hjørne av skjermen,
- ♦ Du kan nå koble til telefonen.

Navigasjonens taleindikasjoner

Når GPS-tjenesten er tilkoblet, kan du lytte til taleinstruksjoner via kjøretøyets høyttalere. Navigasjonsforholdene er da bedre (denne funksjonen er kun tilgjengelig med visse typer PDA eller Smartphone - dette kan også variere med programvaren).

Fra din PDA eller Smartphone aktiverer du ganske enkelt tjenesten Ørepropp/Headset som finnes på handsfree-kitet.

Når du er koblet til handsfree-kitets GPS, styres innkommende og utgående anrop automatisk for å gjøre det mulig å bruke telefonitjenesten under best mulige forhold.

GPS-MENY

Her kan du deaktivere GPS-tjenesten fullstendig for å unngå at uvedkommende kobler seg til den.

Du finner også menyene som gjør det mulig å tilpasse visningen når du er koblet til GPS: antallet satellitter, avstand (kilometer eller miles)....

Merk: Hvis bilen er utstyrt med en ikke-termisk frontrute, kan mottaket av GPS-signalet bli dårlig. For å bøte på dette kan du tilføye en utvendig antenne, som kobles på baksiden av skjermen. Antennen kan skaffes fra forhandler.



HOTLINE

Vår hot-line står til din rådighet.

Du kan ta kontakt via e-post eller telefon.

Svartjeneste mandag-fredag 0900-1800 (GMT +1).

Koble deg opp til våre sider www.parrot.biz hvis du ønsker ytterligere opplysninger.





Parrot S.A. - 174, quai de Jemmapes - 75010 Paris - France
Fax +33 1 48 03 06 66 / Phone +33 1 48 03 60 60
<http://www.parrot.biz>

ENG English

SVE Svenska

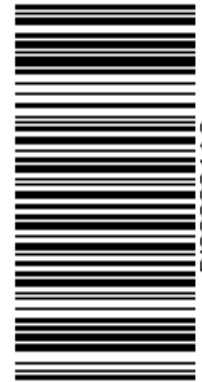
DEU Deutsch

NOR Norsk

DAN Dansk



Zone B



P1030201AC