

# Nikon ME-1



- Jp** ステレオマイクホン 使用説明書
- En** Stereo Microphone User's Manual
- Fr** Microphone Stéréo Manuel d'utilisation
- Es** Micrófono estéreo Manual del usuario
- Pb** Microfone Estéreo Manual do usuário
- Ck** 立体声麦克风 使用说明书
- Ch** 立體聲收音器 使用說明書
- Kr** 스테레오 마이크 사용설명서
- Th** ไมโครโฟนสเตอริโอ คู่มือการใช้งาน
- Id** Mikrofon Stereo Manual bagi Pengguna
- Tr** Stereo Mikrofonu Kullanım Kılavuzu
- Ar** ميكروفون ستيريو دليل المستخدم

## English

Thank you for your purchase of a Nikon ME-1 stereo microphone for cameras with microphone jacks (for information on whether your camera can be used with an external microphone, see the camera manual). The ME-1 is not equipped with a battery or on/off switch: power is supplied from the camera.

Before use, read the warnings and other information in this manual and in the documentation provided with the camera.

### **Notices for Customers in the U.S.A.**

#### **Federal Communications Commission (FCC) Radio Frequency Interference Statement**

This equipment has been tested and found to comply with the limits for a Class B digital device, pursuant to Part 15 of the FCC rules. These limits are designed to provide reasonable protection against harmful interference in a residential installation. This equipment generates, uses, and can radiate radio frequency energy and, if not installed and used in accordance with the instructions, may cause harmful interference to radio communications. However, there is no guarantee that interference will not occur in a particular installation. If this equipment does cause harmful interference to radio or television reception, which can be determined by turning the equipment off and on, the user is encouraged to try to correct the interference by one or more of the following measures:

- Reorient or relocate the receiving antenna.
- Increase the separation between the equipment and receiver.
- Connect the equipment into an outlet on a circuit different from that to which the receiver is connected.
- Consult the dealer or an experienced radio/television technician for help.

## **CAUTIONS**

### *Modifications*

The FCC requires the user be notified that any changes or modifications made to this device that are not expressly approved by Nikon Corporation may void the user's authority to operate the equipment.

### *Interface Cables*

Use the interface cables sold or provided by Nikon for your equipment. Using other interface cables may exceed the limits of Class B Part 15 of the FCC rules.

### **Notice for Customers in the State of California**

**WARNING:** Handling the cord on this product may expose you to lead, a chemical known to the State of California to cause birth defects or other reproductive harm. *Wash hands after handling.*

Nikon Inc., 1300 Walt Whitman Road, Melville, New York  
11747-3064, U.S.A.

Tel.: 631-547-4200

### **Notice for Customers in Canada**

#### **CAUTION**

This Class B digital apparatus complies with Canadian ICES-003.

## **Safety Precautions**

To ensure proper operation, read this manual thoroughly before using this product. After reading, be sure to keep it where it will be read by all those who use the product.

### **WARNINGS**

- Do not attempt to disassemble or modify. Touching the product's internal parts could result in injury. In the event of malfunction, take the product to the point of purchase or a Nikon-authorized service center for inspection.
- Should you notice heat, smoke, or an unusual smell coming from the equipment, cease use immediately and take the product to the point of purchase or a Nikon-authorized service center for inspection. Continued operation could result in injury.
- Keep dry. Failure to observe this precaution could result in fire or electric shock.
- Do not use electronic equipment in the presence of flammable gas, as this could result in explosion or fire.
- Do not handle with wet hands. Failure to observe this precaution could cause electric shock.
- Keep out of reach of children. Failure to observe this precaution could result in injury.
- Do not leave in areas exposed to high temperatures, such as in an enclosed automobile or direct sunlight. Heat may adversely affect the device's internal parts, causing fire.

## **Precautions for Use**

- Keep the ME-1 in the supplied case when not in use.
- Do not use at temperatures below 0°C/32°F or above 40°C/104°F. Failure to observe this precaution could cause product malfunction.
- Do not drop the ME-1 or subject it to strong shocks or vibration. Failure to observe this precaution could damage the product or cause it to malfunction.
- Do not place under heavy objects or subject to heavy loads. Failure to observe these precautions could cause damage or malfunction.
- Do not pick up the camera by the ME-1 alone.
- Do not pull or tug the cable or microphone, as this could disconnect or snap the cable.
- The device may malfunction if used in the vicinity of radio transmitters or other devices that produce strong static charges or magnetic fields.
- If the ME-1 will not be used for an extended period, store it in a cool, dry location to prevent mold and rust. Do not store in direct sunlight or with naphthalene or camphor mothballs.
- Remove the cable from the cable stop before adjusting the angle of the ME-1.
- Before adjusting the angle of the ME-1, loosen the lock screw and then gently reposition the microphone. ***Do not use force.*** Failure to observe this precaution could damage the device.
- The ME-1 may pick up sounds made by the camera or lens during recording.
- The ME-1 may pick up sounds caused by repositioning the microphone during recording.
- If the wind screen is wet, dry it thoroughly before placing it in storage.
- The wind screen may stain clothing or other objects when damp.
- The built-in flash for some cameras may not fire when the ME-1 is mounted on the accessory shoe. If this occurs, remove the ME-1 before using the built-in flash.

## **Principal Features**

---

The ME-1 features vibration reduction to reduce vibration noise during autofocus, and a low-cut filter that reduces wind noise and other low-frequency noise.

## **Parts of the ME-1**

---

- |                         |                 |
|-------------------------|-----------------|
| ① Low-cut filter switch | ⑤ Tripod socket |
| ② Horizontal guide      | ⑥ Mounting foot |
| ③ Lock screw            | ⑦ Lock ring     |
| ④ Cable stop            | ⑧ Wind screen   |

### **The Low-Cut Filter Switch**

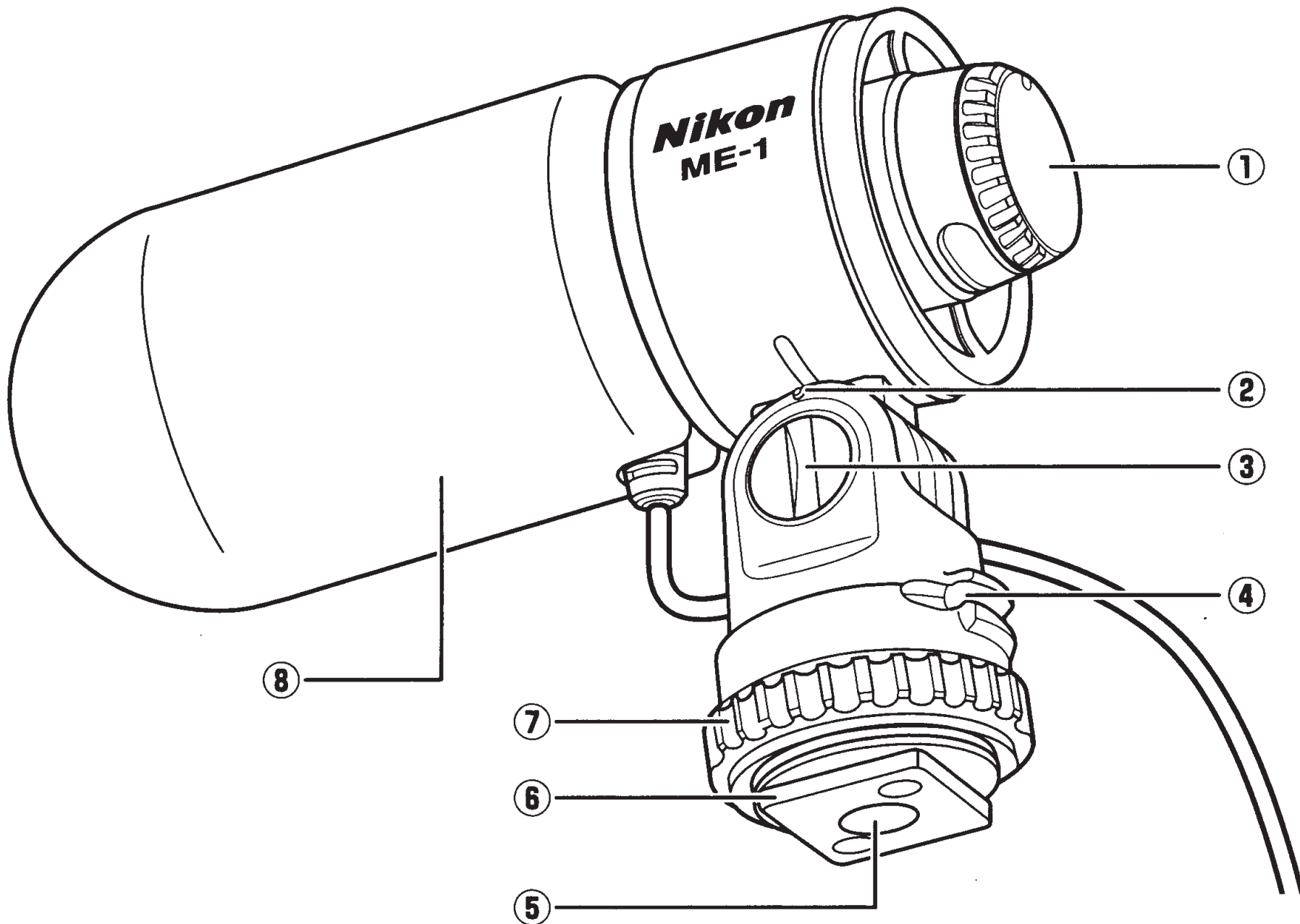
Select FLAT for normal use, L-CUT to reduce wind noise and other low-frequency noise. Note that noise may be recorded if the switch is operated during recording.

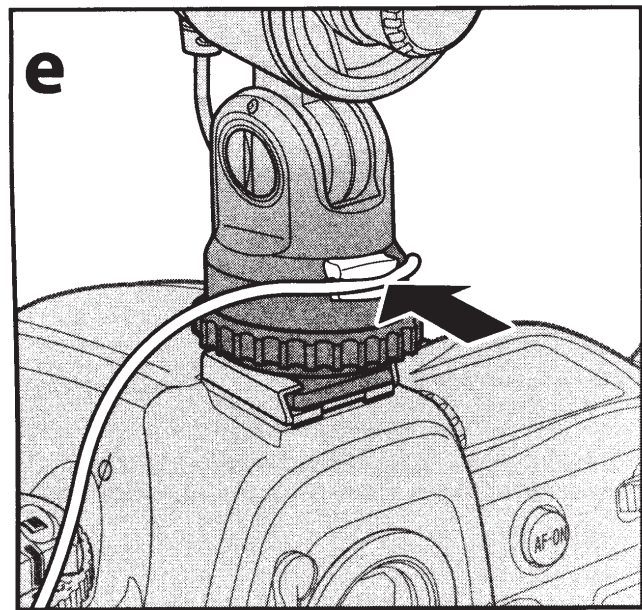
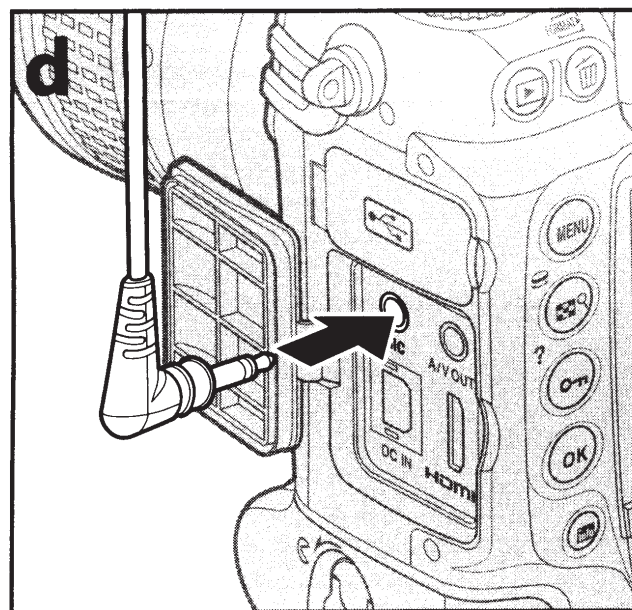
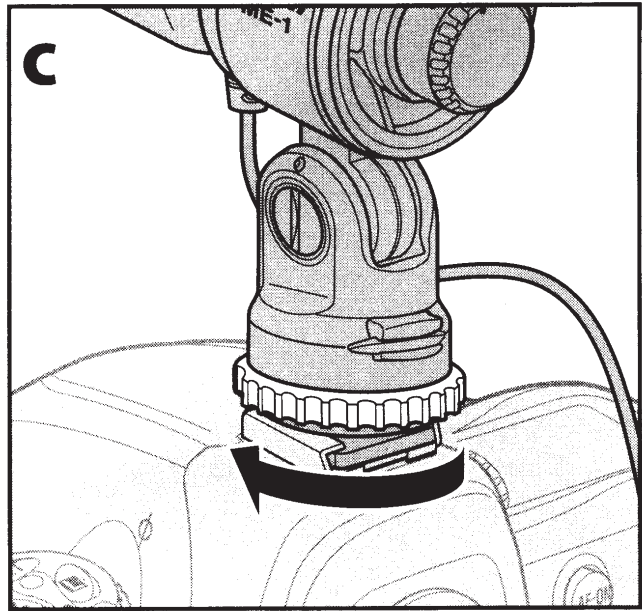
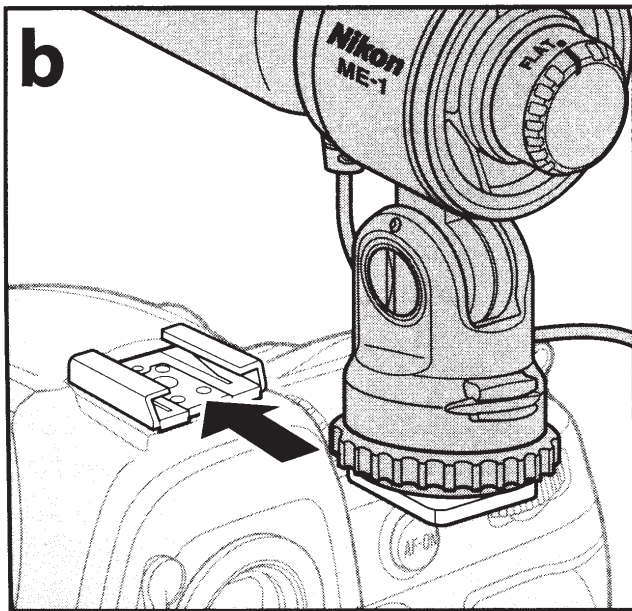
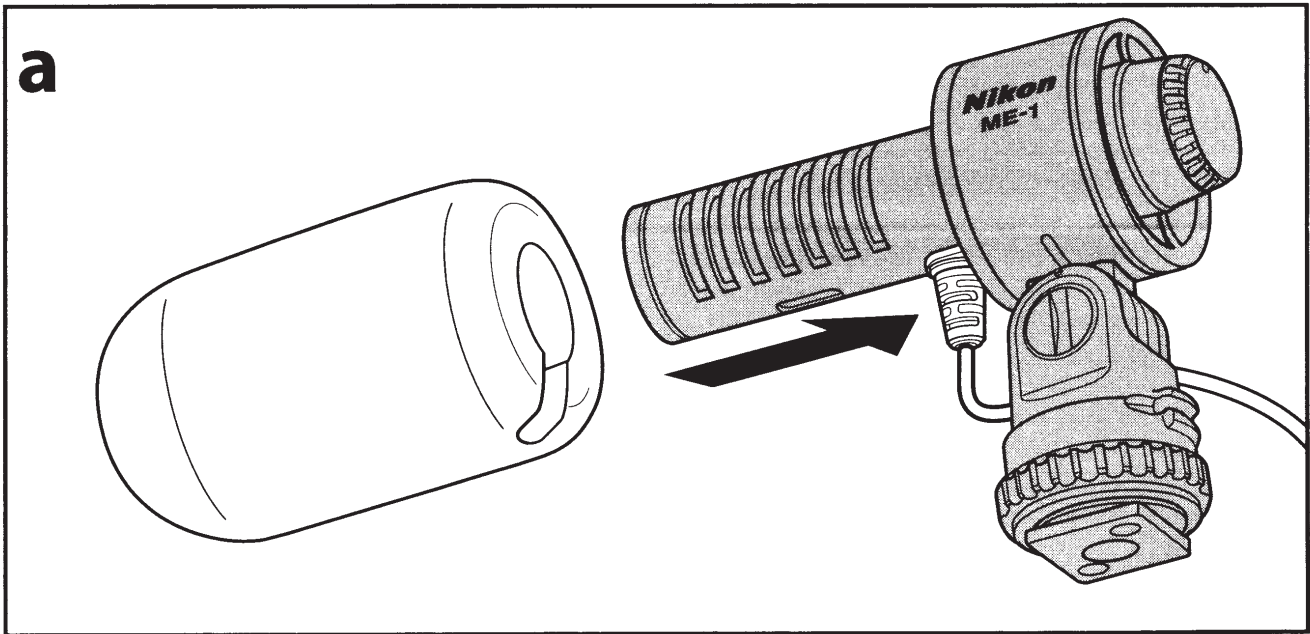
## **Using the ME-1**

---

- 1 Attach the wind screen by placing the groove in the screen over the projection on the microphone (Figure 1-a).
- 2 Slide the mounting foot into the camera accessory shoe (Figure 1-b) and tighten the lock ring (Figure 1-c). Note that vibration reduction may cause the microphone to wobble if it is shaken while attached to the camera.
- 3 Turn the camera off and insert the ME-1 stereo mini-pin plug ( $\varphi$  3.5 mm) into the camera external microphone jack (Figure 1-d).
- 4 Place the cable in the cable stop (Figure 1-e).







☒1/Figure 1/Figure 1/Figura 1/Figura 1



# **Specifications**

---

<b>Type</b>	Back-electret condenser microphone
<b>Number of channels</b>	2 (stereo)
<b>Directionality</b>	Unidirectional
<b>Frequency response</b>	70–16,000 Hz
<b>Sensitivity</b>	-42 dB (0 dB=1V/Pa,1kHz)
<b>Signal-to-noise ratio</b>	60 dB or more
<b>Low-cut filter</b>	Controlled by low-cut filter switch
<b>Power supply</b>	Supplied by camera (1–10 V)
<b>Plug</b>	Gold-plated, L-shaped stereo mini-pin plug (φ 3.5 mm)
<b>Length of cable</b>	Approx. 300 mm/11.8 in.
<b>Dimensions (W × H × D)</b>	Approx. 38 × 79 × 87 mm/1.5 × 3.1 × 3.4 in. (ME-1 only, excluding cable and projections); 38 × 79 × 100 mm/1.5 × 3.1 × 3.9 in. (including wind screen but excluding cable and projections)
<b>Weight</b>	Approx. 92 g/3.3 oz. (ME-1 only); 93 g/3.3 oz. (including wind screen)
<b>Operating temperature</b>	0 – 40 °C/32 – 104 °F
<b>Supplied accessories</b>	Wind screen, Soft case

- Unless stated otherwise, all figures are for an ambient temperature of 20 °C/68 °F.
- Specifications are independent of any device to which the microphone may be connected.
- Improvements to this product may result in unannounced changes to specifications and external appearance.

# NIKON DIGITAL IMAGING LIMITED WARRANTY

THIS IS YOUR NIKON INC. ONE YEAR LIMITED WARRANTY (VALID IN THE CONTINENTAL UNITED STATES, ALASKA, HAWAII AND THE CARIBBEAN ISLANDS). YOU MUST PRESENT THIS FORM TOGETHER WITH PROOF OF PURCHASE AND PROOF OF PURCHASE DATE (BILL OF SALE) TO OBTAIN WARRANTY SERVICE.

This Nikon Digital Imaging Product is warranted by Nikon Inc. to be free from defects in material and workmanship for one (1) year from the date of purchase.

During this period if this product is found to be defective in material or workmanship, Nikon Inc. or one of its authorized service facilities will at its option, either repair or replace this Product without charge, subject to the following conditions, limitations and exclusions:

1. This warranty extends to the original consumer purchaser only and is not assignable or transferable.
2. This warranty shall not apply to any Product which has been subjected to misuse, abuse, negligence, alteration or accident, or has had its serial number altered or removed.
3. This warranty does not apply to any defects or damage directly or indirectly caused by or resulting from the use of unauthorized replacement parts and/or service performed by unauthorized personnel.
4. This warranty does not apply to any batteries.

THIS WARRANTY IS IN LIEU OF ALL OTHER WARRANTIES, EXPRESSED OR IMPLIED, INCLUDING BUT NOT LIMITED TO ANY IMPLIED WARRANTY OF MERCHANTABILITY OR FITNESS FOR A PARTICULAR PURPOSE PROVIDED, HOWEVER, THAT IF THE DISCLAIMER OF IMPLIED WARRANTIES IS INEFFECTIVE UNDER APPLICABLE LAW, THE DURATION OF ANY IMPLIED WARRANTIES ARISING BY OPERATION OF LAW SHALL BE LIMITED TO ONE (1) YEAR FROM THE DATE OF PURCHASE OR SUCH LONGER PERIOD AS MAY BE REQUIRED BY APPLICABLE LAW.

UNDER NO CIRCUMSTANCES SHALL NIKON INC. BE LIABLE FOR ANY CONSEQUENTIAL, INCIDENTAL, SPECIAL, DIRECT, INDIRECT, EXEMPLARY OR PUNITIVE DAMAGES RELATING TO OR ARISING OUT OF ANY BREACH OF THIS WARRANTY OR ANY OTHER CLAIM REGARDING THIS PRODUCT, INCLUDING BUT NOT LIMITED TO CLAIMS OF NEGLIGENCE, STRICT LIABILITY OR BREACH OF CONTRACT.

SOME STATES DO NOT ALLOW (A) LIMITATIONS ON HOW LONG AN IMPLIED WARRANTY LASTS OR (B) THE EXCLUSION OR LIMITATION OF INCIDENTAL OR CONSEQUENTIAL DAMAGES, SO THE ABOVE LIMITATIONS OR EXCLUSIONS MAY NOT APPLY TO YOU. THIS WARRANTY GIVES YOU SPECIFIC LEGAL RIGHTS AND YOU MAY HAVE OTHER RIGHTS WHICH VARY FROM STATE TO STATE.

In order to obtain performance of the warranty obligations, the original consumer purchaser must return this warranty form and this Nikon Digital Imaging Product together with proof of purchase and proof of purchase date (bill of sale) either in person or addressed to the appropriate Service Department of Nikon for your product.

For digital cameras and their accessories needing repair service, kindly send your equipment to either:

## **East Coast**

Nikon Inc.  
Attn: Service Department  
1300 Walt Whitman Road  
Melville, New York 11747-3064

## **West Coast**

Nikon Inc.  
Attn: Service Department  
841 Apollo Street  
El Segundo, California 90245-4721

For scanners and their accessories needing repair service, kindly send your equipment to:

Nikon Inc.  
Attn: Service Department  
1300 Walt Whitman Road  
Melville, New York 11747-3064

In returning this Product for repair or replacement under this warranty, the original consumer purchaser must prepay all postage, shipping transportation, insurance and delivery costs, and the Product must be delivered in either its original carton or a similar package affording an equal degree of protection. Nikon Inc. will not be responsible for any loss or damage incurred in connection with the return of this Product.

THIS WARRANTY FORM MAY NOT BE REPRODUCED OR COPIED AND WILL BE VALID ONLY WITH AUTHENTIC PRODUCTS SOLD BY NIKON INC.