



BR40

HYDRAULIC BREAKER



SAFETY, OPERATION AND MAINTENANCE USER MANUAL



© 2011 Stanley Black & Decker, Inc.
New Britain, CT 06053
U.S.A.
62399 2/2011 Ver. 6

DECLARATION OF CONFORMITY

DECLARATION OF CONFORMITY
ÜBEREINSTIMMUNGS-ERKLÄRUNG
DECLARATION DE CONFORMITE CEE
DECLARACION DE CONFORMIDAD
DICHIARAZIONE DI CONFORMITA



I, the undersigned:
Ich, der Unterzeichnende:
Je soussigné:
El abajo firmante:
Io sottoscritto:

Weisbeck, Andy

Surname and First names/Famillennname und Vornamen/Nom et prénom/Nombre y apellido/Cognome e nome

hereby declare that the equipment specified hereunder:
bestätige hiermit, daß erklaren Produkt genannten Werk oder Gerät:
déclare que l'équipement visé ci-dessous:
Por la presente declaro que el equipo se especifica a continuación:
Dichiaro che le apparecchiature specificate di seguito:

- Category: **Hydraulic Hand Held Concrete Breaker**
Kategorie:
Catégorie:
Categoria:
Categoria:
- Make/Marke/Marque/Marca/Marca **Stanley**
- Type/Typ/Type/Tipo/Tipo: **BR4056801AA**
- Serial number of equipment:
Seriennummer des Geräts:
Numéro de série de l'équipement:
Numero de serie del equipo:
Matricola dell'attrezzatura: **All**
- Mass/Masse/Masse/Masa/Massa 21 kg

Has been manufactured in conformity with
Wurde hergestellt in Übereinstimmung mit
Est fabriqué conformément
Ha sido fabricado de acuerdo con
E' stata costruita in conformità con

Directive/Standards Richtlinie/Standards Directives/Normes Directriz/Los Normas Direttiva/Norme	No. Nr Numéro No n.	Approved body Prüfung durch Organisme agréé Aprobado Collaudato
EN Noise Directive	792-4:2004+A1:2008 2000/14/EC:2005	Self SMP Svensk Maskinprovning AB (Notified body ID 0404, Annex VI) Fyrisborgsgatan 3, 754 50 Uppsala, Sweden Certificate #20/213/010
Machinery Directive	2006/42/EC:2006	Self

- Special Provisions: **None**
Spezielle Bestimmungen:
Dispositions particulières:
Provisiones especiales:
Disposizioni speciali:
- Measurements: **Measured Sound Power Level 106 LwA**
Messungen **Guaranteed Sound Power Level 107 LwA**
Mesures Measured in accordance to Directive 2000/14/EC,
Mediciones Annex III, Part B, No 10, 15 kg<m< 30 kg
Misurazioni
- Representative in the Union: **Patrick Vervier, Stanley Dubuis 17-19, rue Jules Berthonneau-BP 3406 41034 Blois Cedex, France.**
Vertreter in der Union/Représentant dans l'union/Representante en la Union/Rappresentante presso l'Unione

Done at/Ort/Fait à/Dado en/Fatto a Stanley Hydraulic Tools, Milwaukie, Oregon USA Date/Datum/le/Fecha/Data 1-5-11

Signature/Unterschrift/Signature/Firma/Firma

Andy Weisbeck

Position/Position/Fonction/Cargo/Posizione Engineering Manager

P/N- 52570 Rev. 4 1/5/2011

TABLE OF CONTENTS

DECLARATION OF CONFORMITY	2
SAFETY SYMBOLS	4
SAFETY PRECAUTIONS.....	5
TOOL STICKERS & TAGS	7
HOSE TYPES.....	8
HOSE RECOMMENDATIONS	9
FIGURE 1. TYPICAL HOSE CONNECTIONS	9
HTMA REQUIREMENTS.....	10
OPERATION.....	11
TOOL PROTECTION & CARE	12
TROUBLESHOOTING	13
CHARGING THE ACCUMULATOR.....	14
FIGURE 2. CHARGING THE ACCUMULATOR (BR40 WITH ANTI-VIBRATION HANDLES).....	15
FIGURE 3. CHARGING THE ACCUMULATOR (BR40 WITH T-HANDLES)	15
SPECIFICATIONS.....	16
ACCESSORIES.....	16
BR40 T-HANDLE PARTS ILLUSTRATION.....	17
BR40 T-HANDLE PARTS LIST.....	18
BR40 ANTI-VIBRATION HANDLE PARTS ILLUSTRATION	19
BR40 ANTI-VIBRATION HANDLE PARTS LIST	20

IMPORTANT

To fill out a Product Warranty Recording form, and for information on your warranty, visit Stanleyhydraulic.com and select the Warranty tab.
(NOTE: The warranty recording form must be submitted to validate the warranty).

SERVICING THE STANLEY HYDRAULIC BREAKER. This manual contains safety, operation, and routine maintenance instructions. Stanley Hydraulic Tools recommends that servicing of hydraulic tools, other than routine maintenance, must be performed by an authorized and certified dealer. Please read the following warning.

⚠ WARNING

SERIOUS INJURY OR DEATH COULD RESULT FROM THE IMPROPER REPAIR OR SERVICE OF THIS TOOL.

REPAIRS AND / OR SERVICE TO THIS TOOL MUST ONLY BE DONE BY AN AUTHORIZED AND CERTIFIED DEALER.

For the nearest authorized and certified dealer, call Stanley Hydraulic Tools at the number listed on the back of this manual and ask for a Customer Service Representative.

SAFETY SYMBOLS

Safety symbols and signal words, as shown below, are used to emphasize all operator, maintenance and repair actions which, if not strictly followed, could result in a life-threatening situation, bodily injury or damage to equipment.



This is the safety alert symbol. It is used to alert you to potential personal injury hazards. Obey all safety messages that follow this symbol to avoid possible injury or death.

This safety alert and signal word indicate an imminently hazardous situation which, if not avoided, will result in death or serious injury.

This safety alert and signal word indicate a potentially hazardous situation which, if not avoided, could result in death or serious injury.

This safety alert and signal word indicate a potentially hazardous situation which, if not avoided, could result in death or serious injury.

This signal word indicates a potentially hazardous situation which, if not avoided, may result in property damage.

This signal word indicates a situation which, if not avoided, will result in damage to the equipment.

This signal word indicates a situation which, if not avoided, may result in damage to the equipment.

Always observe safety symbols. They are included for your safety and for the protection of the tool.

LOCAL SAFETY REGULATIONS

Enter any local safety regulations here. Keep these instructions in an area accessible to the operator and maintenance personnel.

SAFETY PRECAUTIONS

Tool operators and maintenance personnel must always comply with the safety precautions given in this manual and on the stickers and tags attached to the tool and hose.

These safety precautions are given for your safety. Review them carefully before operating the tool and before performing general maintenance or repairs.

Supervising personnel should develop additional precautions relating to the specific work area and local safety regulations. If so, place the added precautions in the space provided in this manual.

The BR40 Hydraulic Breaker will provide safe and dependable service if operated in accordance with the instructions given in this manual. Read and understand this manual and any stickers and tags attached to the tool and hoses before operation. Failure to do so could result in personal injury or equipment damage.



- Operator must start in a work area without bystanders. The operator must be familiar with all prohibited work areas such as excessive slopes and dangerous terrain conditions.
- Establish a training program for all operators to ensure safe operation.
- Do not operate the tool unless thoroughly trained or under the supervision of an instructor.
- Always wear safety equipment such as goggles, gloves, ear, head, and breathing protection, and safety shoes at all times when operating the tool.
- Do not inspect, carry or clean the tool while the hydraulic power source is connected. Accidental engagement of the tool can cause serious injury.
- Supply hoses must have a minimum working pressure rating of 2500 psi/175 bar.
- Be sure all hose connections are tight.
- The hydraulic circuit control valve must be in the **OFF** position when coupling or uncoupling the tool. Wipe all couplers clean before connecting. Use only lint-free cloths. Failure to do so may result in damage to the quick couplers and cause overheating of the hydraulic system.
- Do not operate the tool at oil temperatures above 140 °F/60 °C. Operation at higher oil temperatures can cause operator discomfort and may damage the tool. Never come in contact with the tool bit, the bit can get hot.
- Do not operate a damaged, improperly adjusted, or incompletely assembled tool.
- Do not weld, cut with an acetylene torch, or hard-face the tool bit.
- To avoid personal injury or equipment damage, all tool repair, maintenance and service must only be performed by authorized and properly trained personnel.
- Do not exceed the rated limits of the tool or use the tool for applications beyond its design capacity.
- Always keep critical tool markings, such as labels and warning stickers legible.
- Always replace parts with replacement parts recommended by Stanley Hydraulic Tools.
- Check fastener tightness often and before each use daily.
- Never operate the tool if you cannot be sure that underground utilities are not present.
- Do not wear loose fitting clothing when operating the tool.

SAFETY PRECAUTIONS

- Warning: Hydraulic fluid under pressure could cause skin injection injury. If you are injured by hydraulic fluid, get medical attention immediately.
- Keep all body parts away from the working tool.
- Always wear personal protection equipment (PPE) such as goggles, safety shoes, head, eye, breathing, and ear protection when operating the tool. Use gloves and aprons when necessary.
- Be observant of the hydraulic hoses lying about the work area, they can be a tripping hazard.
- Always de-energize the hydraulic system when changing a tool bit.
- Take caution when changing a tool bit, tool bits can get very hot.
- Never use the tool in an explosive atmosphere, sparks from the breaking process could ignite explosive gas.
- Use proper lifting techniques when handling the tool, get help from a co-worker and do not over-reach.
- Use proper protection from falling or flying debris, keep bystanders at a safe distance.
- Do not exceed the rated flow and pressure. See Specifications in this manual for correct flow rate and pressure rating. Rapid failure of the internal seals may result.

⚠ WARNING

Exposure to crystalline Silica (sometimes called “silica dust”) as a result of breaking, drilling, or hammering of rock, concrete, asphalt or other materials may cause Silicosis (a serious lung disease), silicosis-related illnesses, cancer, or death.

Respiratory protection is highly recommended when working with materials containing Silica Dust.

Always wear a respirator approved for protection against crystalline silica.



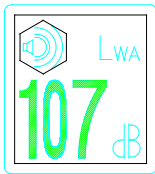
TOOL STICKERS & TAGS



05152
Stanley Decal



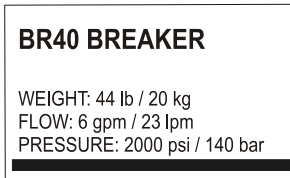
71072
CE Tool Plate



58601
Sound Level
Decal
(CE Tool only)



11206
Circuit Type C Decal
(CE Tool only)



28374
Name Tag (BR40568YA)



12835
Name Tag (BR40550)



28409
Composite Decal
(CE Tool only)

NOTE:

THE INFORMATION LISTED ON THE STICKERS SHOWN, MUST BE LEGIBLE AT ALL TIMES.

REPLACE DECALS IF THEY BECOME WORN OR DAMAGED. REPLACEMENTS ARE AVAILABLE FROM YOUR LOCAL STANLEY DISTRIBUTOR.

The safety tag (P/N 15875) at right is attached to the tool when shipped from the factory. Read and understand the safety instructions listed on this tag before removal. We suggest you retain this tag and attach it to the tool when not in use.

DANGER

- FAILURE TO USE HYDRAULIC HOSE LABELED AND CERTIFIED AS NON-CONDUCTIVE WHEN USING HYDRAULIC TOOLS ON OR NEAR ELECTRICAL LINES MAY RESULT IN DEATH OR SERIOUS INJURY.
BEFORE USING HOSE LABELED AND CERTIFIED AS NON-CONDUCTIVE ON OR NEAR ELECTRICAL LINES BE SURE THE HOSE IS MAINTAINED AS NON-CONDUCTIVE. THE HOSE SHOULD BE REGULARLY TESTED FOR ELECTRIC CURRENT LEAKAGE IN ACCORDANCE WITH YOUR SAFETY DEPARTMENT INSTRUCTIONS.
- A HYDRAULIC LEAK OR BURST MAY CAUSE OIL INJECTION INTO THE BODY OR CAUSE OTHER SEVERE PERSONAL INJURY.
 - DO NOT EXCEED SPECIFIED FLOW AND PRESSURE FOR THIS TOOL. EXCESS FLOW OR PRESSURE MAY CAUSE A LEAK OR BURST.
 - DO NOT EXCEED RATED WORKING PRESSURE OF HYDRAULIC HOSE USED WITH THIS TOOL. EXCESS PRESSURE MAY CAUSE A LEAK OR BURST.
 - CHECK TOOL HOSE COUPLERS AND CONNECTORS DAILY FOR LEAKS. DO NOT FEEL FOR LEAKS WITH YOUR HANDS. CONTACT WITH A LEAK MAY RESULT IN SEVERE PERSONAL INJURY.

IMPORTANT

READ OPERATION MANUAL AND SAFETY INSTRUCTIONS FOR THIS TOOL BEFORE USING IT.

USE ONLY PARTS AND REPAIR PROCEDURES APPROVED BY STANLEY AND DESCRIBED IN THE OPERATION MANUAL.

TAG TO BE REMOVED ONLY BY TOOL OPERATOR.

SEE OTHER SIDE

DANGER

- DO NOT LIFT OR CARRY TOOL BY THE HOSES. DO NOT ABUSE HOSE. DO NOT USE KINKED, TORN OR DAMAGED HOSE.
- MAKE SURE HYDRAULIC HOSES ARE PROPERLY CONNECTED TO THE TOOL BEFORE PRESSURING SYSTEM. SYSTEM PRESSURE HOSE MUST ALWAYS BE CONNECTED TO TOOL "IN" PORT. SYSTEM RETURN HOSE MUST ALWAYS BE CONNECTED TO TOOL "OUT" PORT. REVERSING CONNECTIONS MAY CAUSE REVERSE TOOL OPERATION WHICH CAN RESULT IN SEVERE PERSONAL INJURY.
- DO NOT CONNECT OPEN-CENTER TOOLS TO CLOSED-CENTER HYDRAULIC SYSTEMS. THIS MAY RESULT IN LOSS OF OTHER HYDRAULIC FUNCTIONS POWERED BY THE SAME SYSTEM AND/OR SEVERE PERSONAL INJURY.
- BYSTANDERS MAY BE INJURED IN YOUR WORK AREA. KEEP BYSTANDERS CLEAR OF YOUR WORK AREA.
- WEAR HEARING, EYE, FOOT, HAND AND HEAD PROTECTION.
- TO AVOID PERSONAL INJURY OR EQUIPMENT DAMAGE, ALL TOOL REPAIR MAINTENANCE AND SERVICE MUST ONLY BE PERFORMED BY AUTHORIZED AND PROPERLY TRAINED PERSONNEL.

IMPORTANT

READ OPERATION MANUAL AND SAFETY INSTRUCTIONS FOR THIS TOOL BEFORE USING IT.

USE ONLY PARTS AND REPAIR PROCEDURES APPROVED BY STANLEY AND DESCRIBED IN THE OPERATION MANUAL.

TAG TO BE REMOVED ONLY BY TOOL OPERATOR.

SEE OTHER SIDE

SAFETY TAG P/N 15875 (Shown smaller than actual size)

HOSE TYPES

The rated working pressure of the hydraulic hose must be equal to or higher than the relief valve setting on the hydraulic system. There are three types of hydraulic hose that meet this requirement and are authorized for use with Stanley Hydraulic Tools. They are:

Certified non-conductive — constructed of thermoplastic or synthetic rubber inner tube, synthetic fiber braid reinforcement, and weather resistant thermoplastic or synthetic rubber cover. *Hose labeled **certified non-conductive** is the only hose authorized for use near electrical conductors.*

Wire-braided (conductive) — constructed of synthetic rubber inner tube, single or double wire braid reinforcement, and weather resistant synthetic rubber cover. *This hose is **conductive** and must never be used near electrical conductors.*

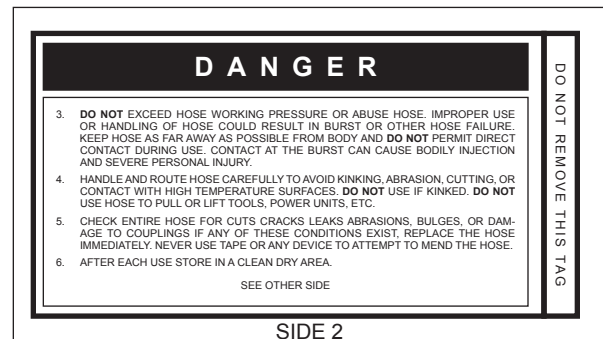
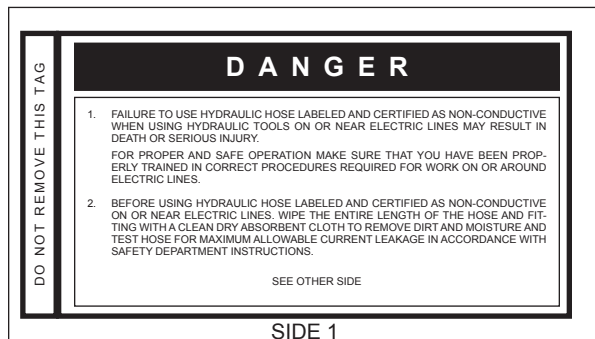
Fabric-braided (not certified or labeled non-conductive) — constructed of thermoplastic or synthetic rubber inner tube, synthetic fiber braid reinforcement, and weather resistant thermoplastic or synthetic rubber cover. *This hose is **not certified non-conductive** and must never be used near electrical conductors.*

HOSE SAFETY TAGS

To help ensure your safety, the following DANGER tags are attached to all hose purchased from Stanley Hydraulic Tools. DO NOT REMOVE THESE TAGS.

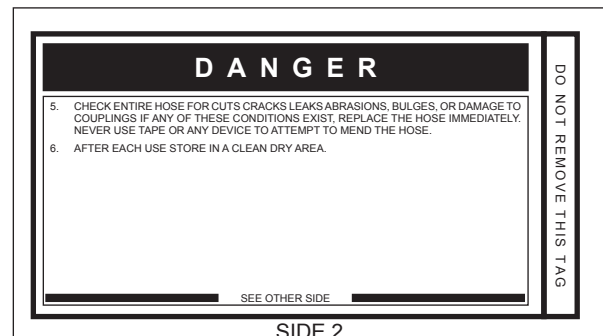
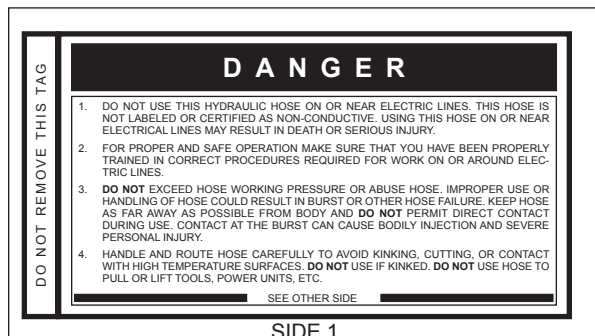
If the information on a tag is illegible because of wear or damage, replace the tag immediately. A new tag may be obtained from your Stanley Distributor.

THE TAG SHOWN BELOW IS ATTACHED TO “CERTIFIED NON-CONDUCTIVE” HOSE



(Shown smaller than actual size)

THE TAG SHOWN BELOW IS ATTACHED TO “CONDUCTIVE” HOSE.



(Shown smaller than actual size)

Tool to Hydraulic Circuit Hose Recommendations

The chart to the right shows recommended minimum hose diameters for various hose lengths based on gallons per minute (gpm)/liters per minute (lpm). These recommendations are intended to keep return line pressure (back pressure) to a minimum acceptable level to ensure maximum tool performance.

This chart is intended to be used for hydraulic tool applications only based on Stanley Hydraulic Tools tool operating requirements and should not be used for any other applications.

All hydraulic hose must have at least a rated minimum working pressure equal to the maximum hydraulic system relief valve setting.

All hydraulic hose must meet or exceed specifications as set forth by SAE J517.

Oil Flow		Hose Lengths		Inside Diameter		USE (Press/Return)	Min. Working Pressure	
GPM	LPM	FEET	METERS	INCH	MM		PSI	BAR
Certified Non-Conductive Hose - Fiber Braid - for Utility Bucket Trucks								
4-9	15-34	up to 10	up to 3	3/8	10	Both	2250	155
Conductive Hose - Wire Braid or Fiber Braid -DO NOT USE NEAR ELECTRICAL CONDUCTORS								
4-6	15-23	up to 25	up to 7.5	3/8	10	Both	2500	175
4-6	15-23	26-100	7.5-30	1/2	13	Both	2500	175
5-10.5	19-40	up to 50	up to 15	1/2	13	Both	2500	175
5-10.5	19-40	51-100	15-30	5/8	16	Both	2500	175
5-10.5	19-40	100-300	30-90	5/8	16	Pressure	2500	175
10-13	38-49	up to 50	up to 15	3/4	19	Return	2500	175
10-13	38-49	51-100	15-30	5/8	16	Both	2500	175
10-13	38-49	100-200	30-60	3/4	19	Pressure	2500	175
13-16	49-60	up to 25	up to 8	5/8	16	Return	2500	175
13-16	49-60	26-100	8-30	3/4	19	Pressure	2500	175
				1	25.4	Return	2500	175
				5/8	16	Pressure	2500	175
				3/4	19	Return	2500	175
				3/4	19	Pressure	2500	175
				1	25.4	Return	2500	175

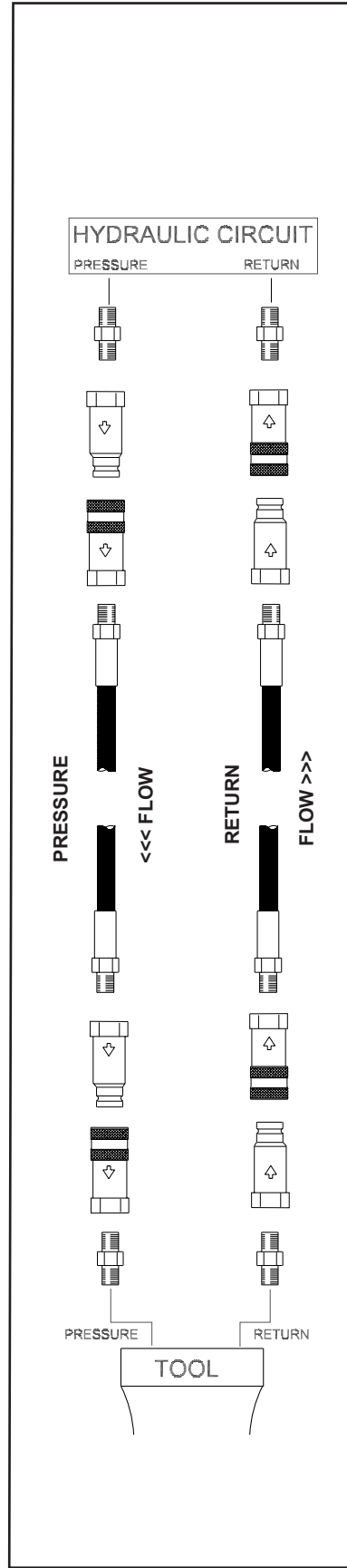


Figure 1. Typical Hose Connections

HTMA REQUIREMENTS

TOOL CATEGORY



HYDRAULIC SYSTEM REQUIREMENTS

	TYPE I	TYPE II	TYPE III	TYPE RR
FLOW RATE	4–6 gpm (15–23 lpm)	7–9 gpm (26–34 lpm)	11–13 gpm (42–49 lpm)	9–10.5 gpm (34–40 lpm)
TOOL OPERATING PRESSURE (At the power supply outlet)	2000 psi (145–155 bar)	2000 psi (138 bar)	2000 psi (138 bar)	2000 psi (138 bar)
SYSTEM RELIEF VALVE SETTING (At the power supply outlet)	2100–2250 psi (145–155 bar)	2100–2250 psi (145–155 bar)	2100–2250 psi (145–155 bar)	2200–2300 psi (145–155 bar)
MAXIMUM BACK PRESSURE (At tool end of the return hose)	250 psi (17 bar)	250 psi (17 bar)	250 psi (17 bar)	250 psi (17 bar)
Measured at a max. fluid viscosity of: (At min. operating temperature)	400 ssu* (82 centistokes)	400 ssu* (82 centistokes)	400 ssu* (82 centistokes)	400 ssu* (82 centistokes)
TEMPERATURE Sufficient heat rejection capacity to limit max. fluid temperature to: (At max. expected ambient temperature)	140 °F (60 °C)	140 °F (60 °C)	140 °F (60 °C)	140 °F (60 °C)
Min. cooling capacity at a temperature difference of between ambient and fluid temps	3 hp (2.24 kW) 40 °F (22 °C)	5 hp (3.73 kW) 40 °F (22 °C)	7 hp (4.47 kW) 40 °F (22 °C)	6 hp (5.22 kW) 40 °F (22 °C)
NOTE: Do not operate the tool at oil temperatures above 140 °F (60 °C). Operation at higher temperatures can cause operator discomfort at the tool.				
FILTER Min. full-flow filtration Sized for flow of at least: (For cold temp. start-up and max. dirt-holding capacity)	25 microns 30 gpm (114 lpm)	25 microns 30 gpm (114 lpm)	25 microns 30 gpm (114 lpm)	25 microns 30 gpm (114 lpm)
HYDRAULIC FLUID Petroleum based (Premium grade, anti-wear, non-conductive)	100–400 ssu*	100–400 ssu*	100–400 ssu*	100–400 ssu*
VISCOSITY (At min. and max. operating temps)		(20–82 centistokes)		
NOTE: When choosing hydraulic fluid, the expected oil temperature extremes that will be experienced in service determine the most suitable temperature viscosity characteristics. Hydraulic fluids with a viscosity index over 140 will meet the requirements over a wide range of operating temperatures.				

*SSU = Saybolt Seconds Universal

The recommended hose size is .500 inch/12 mm I.D. up to 50 ft/15 m long and .625 inch/16 mm I.D. minimum up to 100 ft/30 m.

PRE-OPERATION PROCEDURES

CHECK POWER SOURCE

1. Using a calibrated flowmeter and pressure gauge, check that the hydraulic power source develops a flow of 4–6 gpm/15–23 lpm at 1300 psi/90 bar.
2. Make certain the hydraulic power source is equipped with a relief valve set to open at 2250 psi/155 bar maximum.

INSTALL TOOL BIT

1. Rotate the latch on the breaker foot downward (pointing away from the tool).
2. Insert the tool bit into the foot and pull the latch up to lock the tool bit in place.

CONNECT HOSES

1. Wipe all hose couplers with a clean, lint-free cloth before making connections.
2. Connect the hoses from the hydraulic power source to the tool fittings or quick disconnects. It is a good practice to connect return hoses first and disconnect them last to minimize or avoid trapped pressure within the tool.
3. Observe flow indicators stamped on hose couplers to ensure that fluid flow is in the proper direction. The female coupler on the tool hose is the inlet coupler.
4. Move the hydraulic circuit control valve to the ON position to operate the tool.

NOTE:

If uncoupled hoses are left in the sun, pressure increase within the hoses may make them difficult to connect. When possible, connect the free ends of the hoses together.

OPERATION PROCEDURES

1. Observe all safety precautions.
2. Install the appropriate tool bit for the job.
3. Place the bit firmly on the surface to be broken.
4. Squeeze the trigger to start the breaker. Adequate down pressure is very important. When the tool bit breaks through the obstruction or becomes bound, release the trigger and reposition the tool bit.

NOTE:

Partially depressing the trigger allows the tool to run at slow speed. Slow-speed operation permits easier starting of the tool bit into the work surface.

5. To start, break an opening (hole) in the center of the surface. After making a hole, break portions of the material into the original opening. For best productivity, the breaking should be done around the original hole.

The size of the broken material will vary with the strength and thickness of the base material and the amount of any reinforcement wire or rebar.

Harder material or more reinforcing wire or rebar will require taking smaller bites. To determine the most effective bite, start with 2 in./50 mm or smaller bites.

Bites can then be gradually increased until the broken piece becomes too large, requiring increased time to break off the piece.

Sticking of the tool bit occurs when too large a bite is being taken and the tool bit hammers into the material without the material fracturing. This causes the tool bit to become trapped in the surrounding material.

COLD WEATHER OPERATION

If the breaker is to be used during cold weather, preheat the hydraulic fluid at low engine speed. When using the normally recommended fluid, fluid temperature should be at or above 50 °F/10 °C (400 ssu/82 centistokes) before use.

Damage to the hydraulic system or breaker can result from use with fluid that is too viscous or thick.

TOOL PROTECTION & CARE

NOTICE

In addition to the Safety Precautions found in this manual, observe the following for equipment protection and care.

- Make sure all couplers are wiped clean before connection.
- The hydraulic circuit control valve must be in the **OFF** position when coupling or uncoupling hydraulic tools. Failure to do so may result in damage to the quick couplers and cause overheating of the hydraulic system.
- Always store the tool in a clean dry space, safe from damage or pilferage.
- Make sure the circuit **PRESSURE** hose (with male quick disconnect) is connected to the **IN** port. The circuit **RETURN** hose (with female quick disconnect) is connected to the opposite port. Do not reverse circuit flow. This can cause damage to internal seals.
- Always replace hoses, couplings and other parts with replacement parts recommended by Stanley Hydraulic Tools. Supply hoses must have a minimum working pressure rating of 2500 psi/172 bar.
- Do not exceed the rated flow and pressure. See Specifications in this manual for correct flow rate and pressure rating. Rapid failure of the internal seals may result.
- Always keep critical tool markings, such as warning stickers and tags legible.
- Do not force a small breaker to do the job of a large breaker.
- Keep tool bit sharp for maximum breaker performance. Make sure that tool bits are not chipped or rounded on the striking end.
- Never operate a breaker without a tool bit or without holding it against the work surface. This puts excessive strain on the breaker foot.
- Tool repair should be performed by experienced personnel only.
- Make certain that the recommended relief valves are installed in the pressure side of the system.
- Do not use the tool for applications for which it was not intended.

TROUBLESHOOTING

PROBLEM	CAUSE	REMEDY
Tool does not run.	Power unit not functioning.	Check power unit for proper flow and pressure (4–6 gpm/15–23 lpm, 1300–2000 psi/90–140 bar).
	Couplers or hoses blocked.	Remove restriction.
	Pressure and return line hoses reversed at ports.	Be sure hoses are connected to their proper ports.
Tool does not hit effectively.	Mechanical failure of piston or automatic valve.	Disassemble breaker and inspect for damaged parts.
	Power unit not functioning.	Check power unit for proper flow and pressure (4–6 gpm/15–23 lpm, 1300–2000 psi/90–140 bar).
	Couplers or hoses blocked.	Remove restriction.
	Low accumulator charge (pressure hose will pulse more than normal).	Recharge accumulator. Replace diaphragm if charge loss continues.
	Fluid too hot (above 140 °F/60 °C).	Provide cooler to maintain proper fluid temperature (130 °F/55 °C).
Tool operates slow.	Low gpm supply from power unit.	Check power unit for proper flow (4–6 gpm/15–23 lpm).
	High backpressure.	Check hydraulic system for excessive backpressure (over 200 psi/14 bar).
	Couplers or hoses blocked.	Remove restriction.
	Orifice plug blocked.	Remove restriction.
	Fluid too hot (above 140 °F/60 °C) or too cold (below 60 °F/16 °C).	Check power unit for proper fluid temperature. Bypass cooler to warm the fluid or provide cooler to maintain proper temperature.
	Relief valve set too low.	Adjust relief valve to 2100–2250 psi/145–155 bar.
	Hot fluid going through tool.	Check power unit. Be sure flow rate is not too high causing part of the fluid to go through the relief valve. Provide cooler to maintain proper fluid temperature (140 °F/60 °C max). Check the relief valve setting. Eliminate flow control devices.
Fluid leakage on tool bit.	Lower piston seal failure.	Replace seal.
Fluid leakage around trigger.	Valve spool seal failure.	Replace seals.

CHARGING THE ACCUMULATOR

ACCUMULATOR TESTING PROCEDURE

To check or charge the accumulator the following equipment is required:

- 31254 Charge Kit: which includes the following.
 - Accumulator Tester (Part Number 02835).
 - Charging Assembly (P/N 15304, includes a liquid filled gauge with snub valve, hose and fittings).
- NITROGEN bottle with an 800 psi/55 bar minimum charge.(Not included in 31254 kit)

CAUTION

This assembly contains nitrogen under pressure.

1. Remove the plug from the handle or handle pivot.
2. Holding the chuck end of Accumulator Tester (P/N 02835) turn the gauge fully counterclockwise to ensure that the stem inside the chuck is completely retracted.
3. Thread the tester onto the accumulator charging valve. Do not advance the gauge-end into the chuck-end. Turn as a unit. Seat the chuck on the accumulator charging valve and hand tighten only.
4. Advance the valve stem of the tester by turning the gauge-end clockwise until a pressure is read on the gauge (charge pressure should be 500–700 psi/34–48 bar).
5. If pressure is OK unscrew the gauge-end from the chuck to retract the stem, then unscrew the entire tester assembly from the accumulator charging valve. If pressure is low, charge the accumulator as described in the following procedure.
6. Install the plug.

ACCUMULATOR CHARGING

1. Perform Steps 1 through 4 of the accumulator testing procedure above.
2. Connect the chuck of the charging assembly to the charging valve on the accumulator tester or, if preferred, remove the tester from the charging valve and connect the charging assembly chuck directly to the charging valve.
3. Adjust the snub valve to a charging pressure of 600 psi/42 bar. Note: While watching the pressure gauge, open snub valve slowly until it reaches the proper charge pressure (600-700 psi).

NOTE:

It may be necessary to set the gauge at 650–700 psi/45–48 bar to overcome any pressure drop through the charging system.

4. When the accumulator is fully charged close the snub valve on the charging assembly hose and remove the charging assembly chuck from the accumulator tester or tool charging valve.
5. If the accumulator tester has been used, be sure to turn the gauge-end fully counterclockwise before removing the tester from the charging valve of the tool. Install the valve cap.

CHARGING THE ACCUMULATOR

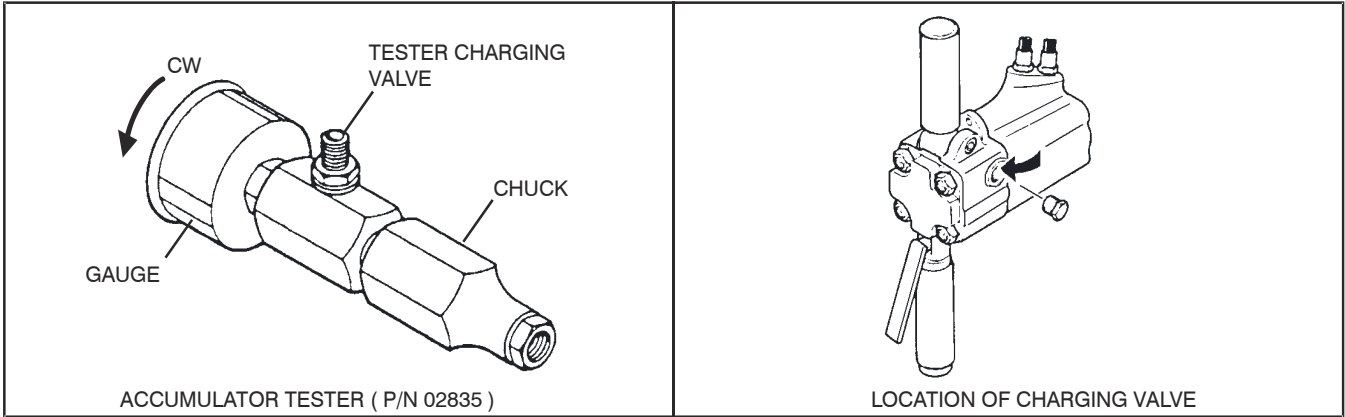


Figure 2. Charging the Accumulator (BR40 with Anti-Vibration Handles)

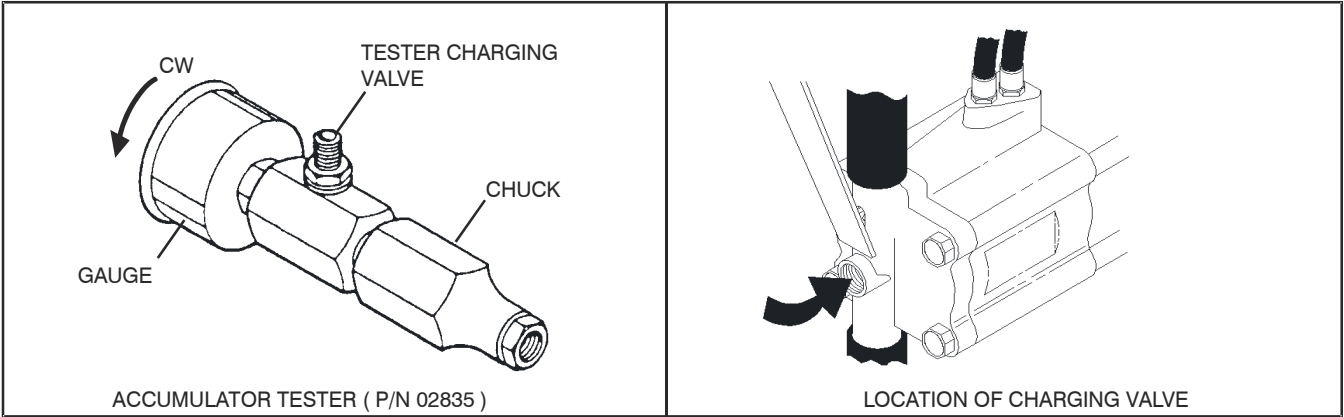
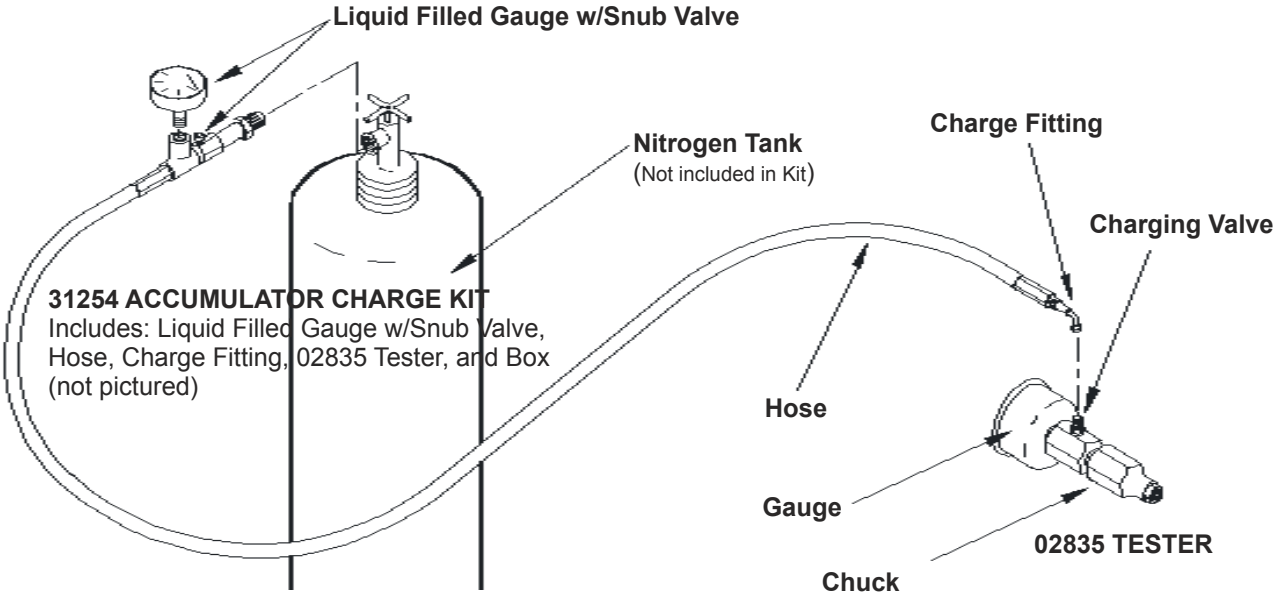


Figure 3. Charging the Accumulator (BR40 with T-Handles)

SPECIFICATIONS

Pressure Range.....	1300–2000 psi/90–140 bar
Flow Range	4–6 gpm/15–23 lpm
Optimum Flow	5 gpm/20 lpm
Maximum Back Pressure.....	250 Psi/17 bar
Couplers	HTMA Flush Face (Per NFPA T3.20.15/ISO 16028)
Connect Size & Type	3/8 in. Male Pipe Hose Ends
Weight	T-Handle 41 lbs/18 kg Anti-Vibration Handle 44 lbs/20 kg
Overall Length	T-Handle 23.5 in./60 cm Anti-Vibration Handle 25.2 in./65 cm
Overall Width at Handles.....	T-Handle 14 in./35 cm Anti-Vibration Handle 17.5 in./44.5 cm
Max. Fluid Temperature.....	140 °F/60 °C
System Type.....	Open or Closed Center
Port Size	SAE 8 O-ring
HTMA Class I.....	4–6 gpm @ 1300–2000 psi
Guaranteed Sound Power Level (2000/14/EC).....	107 dBA
Sound Pressure Level 1 meter (ISO 11203).....	98 dBA
Vibration Level (ISO 8662-5).....	T-Handle 10.0 m/sec2 Anti-Vibration Handle 9.2 m/sec2

ACCESSORIES

1 in. Hex × 4-1/4 in. Shank

Moil Point – 14 in. Long UC.....	07702
Narrow Chisel Point – 14 in. Long UC.....	07703
3-inch Chisel – 14 in. Long UC.....	07704
Clay Spade – 5-1/2 in. Blade.....	07705
Asphalt Wedge – 3 in. Wide	07706

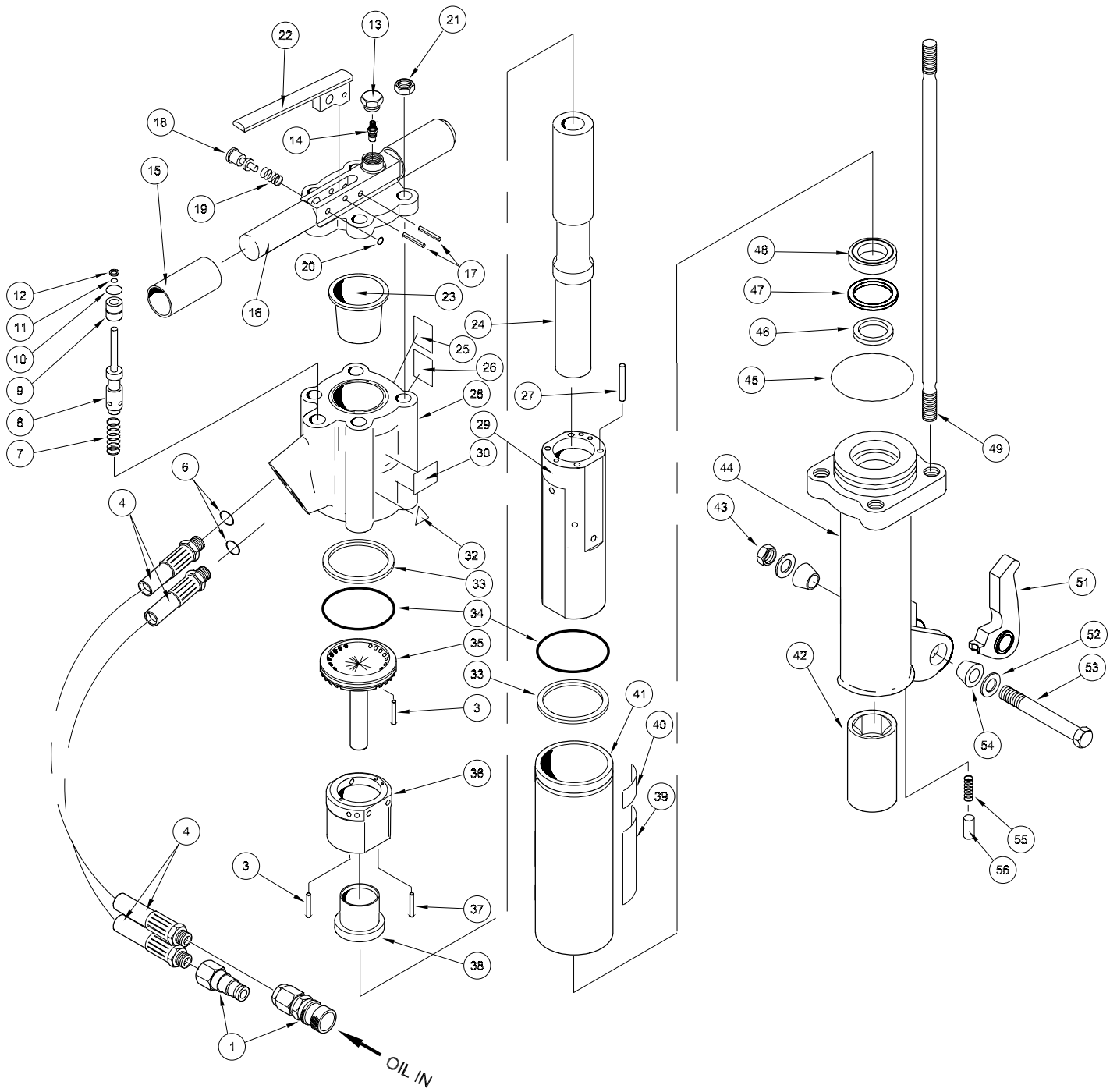
Test Equipment

Accumulator Charge Assembly (Includes Liquid Filled Gauge w/ Valve, Hose, & Charge Fitting).....	15304
Accumulator Tester	02835
Flow and Pressure Tester.....	04182
Accumulator Charge Kit (Includes 02835 Tester, 15304 Charge Assembly & 372047 Charge Kit Box)	31254

Service Tools

Tamper Sleeve Tool	01120
O-ring Tool Kit.....	04337
Flow Sleeve Removal Tube.....	04910
Flow Sleeve Removal Tool	04919
Accumulator Cylinder Puller	05640

BR40 T-HANDLE PARTS ILLUSTRATION



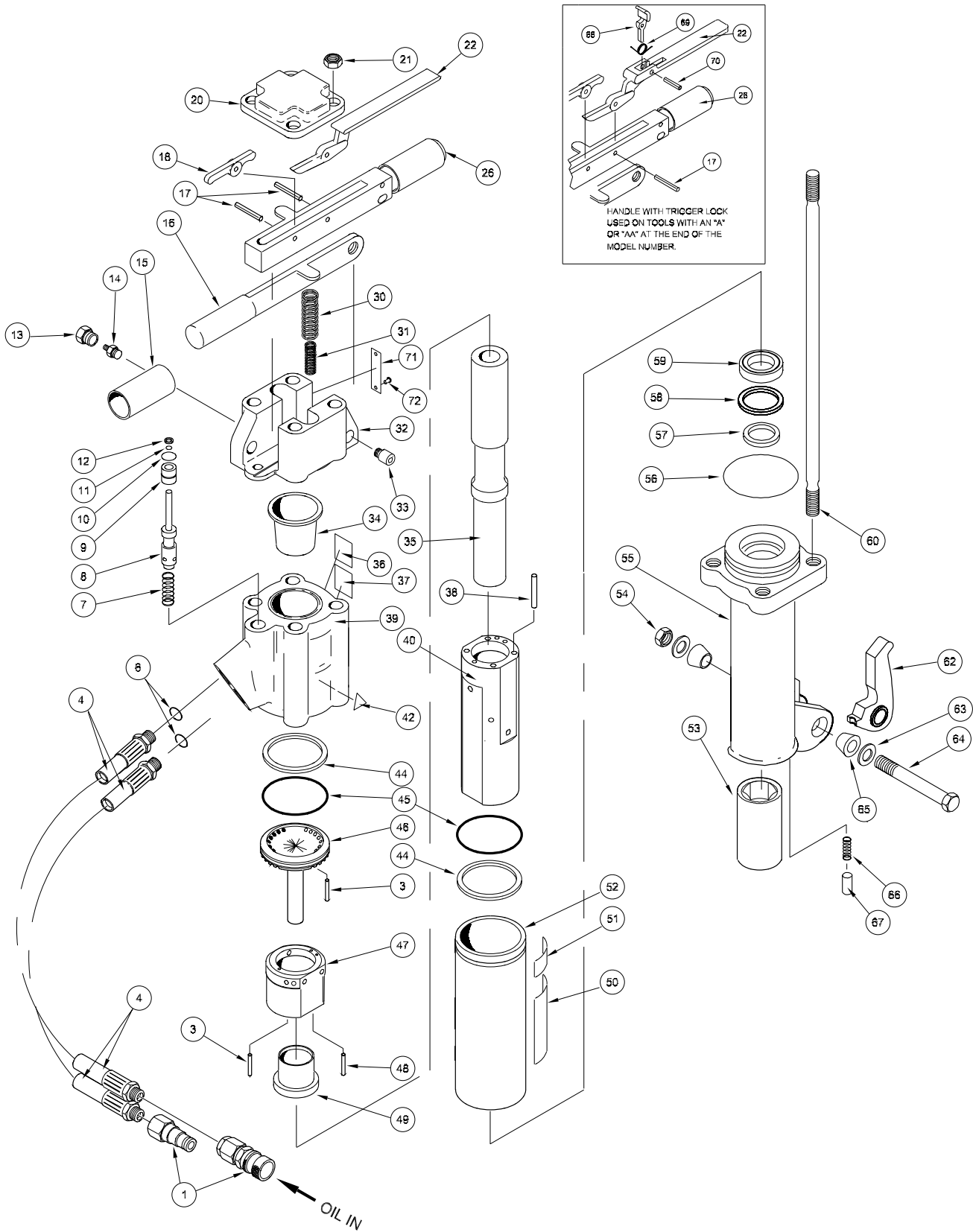
BR40 T-HANDLE PARTS LIST

ITEM	PART NO.	QTY	DESCRIPTION
1	03971	1	COUPLER SET
2	—	—	NO ITEM
3	02900	2	ROLL PIN
4	01652	2	ALTERNATE HOSE ASSY. – 12 INCH.
5	12832	1	ORIFICE PLUG
6	01605	2	O-RING (INCL W/ ITEM 4)
7	04058	1	SPRING
8	04077	1	VALVE SPOOL
9	04057	1	BUSHING
	07699	1	BUSHING ASSY (INCL ITEMS 9–12)
10	00293	1	O-RING, 11/16 × 7/8 × 3/32
11	01362	1	O-RING, 5/16 × 7/16 × 1/16
12	04056	1	ROD WIPER
13	07493	1	PLUG
14	20499	1	CHARGE VALVE
15	02494	2	HANDLE GRIP
16	07483	1	HANDLE
17	07492	2	SPIROL PIN, 1/4 × 1
21	04374	4	LOCK NUT, 5/8-18
22	04371	1	TRIGGER
23	07479	1	ACCUMULATOR DIAPHRAGM
24	12833	1	PISTON
25	58601	1	SOUND POWER LEVEL DECAL
26	28409	1	COMPOSITE SAFETY DECAL
27	04605	4	PUSH PIN
28	11588	1	ACCUMULATOR VALVE BLOCK
29	07485	1	FLOW SLEEVE
31	—	—	NO ITEM
32	11206	1	CIRCUIT TYPE C DECAL
33	04381	2	BACK-UP RING
34	04379	2	O-RING, 2-9/16 × 2-3/4 × 3/32
35	04378	1	PORTING BLOCK
36	07480	1	AUTOMATIC VALVE BODY
37	04571	2	PUSH PIN
38	04382	1	AUTOMATIC VALVE
39	05152	1	STANLEY DECAL
40	28374	1	MODEL NUMBER DECAL
	12835	1	NAME TAG, BR40550
41	04383	1	FLOW SLEEVE TUBE
42	07477	1	HEX BUSHING
43	04374	1	LOCK NUT
44	07445	1	BREAKER FOOT
45	02022	1	O-RING, 2-1/4 × 2-1/2 × 1/8*
46	04387	1	ROD WIPER

ITEM	PART NO.	QTY	DESCRIPTION
47	04780	1	BACK-UP WASHER
48	04386	4	CUP SEAL
49	04373	1	SIDE ROD
50	—	—	NO ITEM
51	04394	1	LATCH*
52	04716	1	SPRING WASHER*
53	04717	1	FOOT LATCH BOLT*
54	04715	2	RUBBER SLEEVE*
55	04392	1	SPRING*
56	04393	1	DETENT*
	04595		SEAL KIT

* Part of Breaker Foot Assembly 07489 (BR40550, Includes 42–48 & 51–56)

BR40 ANTI-VIBRATION HANDLE PARTS ILLUSTRATION



BR40 PARTS LIST

BR40 ANTI-VIBRATION HANDLE PARTS LIST

ITEM	PART NO.	QTY	DESCRIPTION
1	03971	1	COUPLER SET
2	—	—	NO ITEM
3	02900	2	ROLL PIN
4	01652	2	HOSE ASSEMBLY, 12 INCH
5	—	—	NO ITEM
6	01605	2	O-RING (INCL WITH ITEM 4)
7	04058	1	SPRING
8	20515	1	VALVE SPOOL
9	04057	1	BUSHING
10	00293	1	O-RING, 11/16 × 7/8 × 3/32
11	01362	1	O-RING, 5/16 × 7/16 × 1/16
12	04056	1	ROD WIPER
13	07493	1	PLUG
14	20499	1	CHARGE VALVE
15	02494	2	HANDLE GRIP
16	28369	1	HANDLE, GUARDED
17	20500	2	SPIROL PIN 1/4 × 1
18	20511	1	LEVER
20	28494	1	TOP PLATE
21	04374	4	LOCK NUT 5/8-18
22	58526	1	TRIGGER (USED ON MODEL # ENDING IN A OR AA)
26	58529	1	TRIGGER HANDLE (USED ON MODEL # ENDING IN A OR AA)
30	20540	2	SPRING
31	20498	2	SPRING (TRIGGER LOCK MODELS)
32	20505	1	HANDLE PIVOT
33	20508	2	PIVOT SCREW
34	07479	1	ACCUMULATOR DIAPHRAGM
35	12833	1	PISTON
36	58601	1	GUARANTEED SOUND POWER LEVEL (CE MODEL)
37	28409	1	COMPOSITE SAFETY LABEL (CE MODEL)
38	04605	4	PUSH PIN
39	11588	1	ACCUMULATOR VALVE BLOCK
40	07485	1	FLOW SLEEVE
42	11206	1	CIRCUIT C DECAL
43	—	—	NO ITEM
44	04381	2	BACK-UP RING
45	04379	2	O-RING, 2-9/16 × 2-3/4 × 3/32
46	04378	1	PORTING BLOCK
47	07480	1	AUTOMATIC VALVE BODY
48	04571	2	PUSH PIN

ITEM	PART NO.	QTY	DESCRIPTION
49	04382	1	AUTOMATIC VALVE
50	05152	1	STANLEY DECAL
51	28374	1	BR40 MODEL NUMBER DECAL
52	04383	1	FLOW SLEEVE TUBE
53	07477	1	HEX BUSHING *
54	04374	1	STOP NUT *
55	07445	1	BREAKER FOOT WITH INSERT ASSY
56	02022	1	O-RING, 2-1/4 × 2-1/2 × 1/8-228 R16 *
57	04387	1	ROD WIPER
58	04780	1	BACK-UP WASHER
59	04386	1	CUP SEAL
60	20517	4	SIDE ROD
61			NO ITEM
62	04394	1	LATCH *
63	04716	2	SPRING WASHER *
64	04717	1	FOOT LATCH BOLT *
65	04715	2	RUBBER SLEEVE *
66	04392	1	SPRING *
67	04393	1	DETENT *
68	58527	1	TRIGGER LOCK (USED ON MODEL # ENDING IN A OR AA)
69	66828	1	TORSION SPRING (USED ON MODEL # ENDING IN A OR AA)
70	07624	1	ROLL PIN (USED ON MODEL # ENDING IN A OR AA)
71	71072	1	CE TOOL PLATE
72	02004	2	DRIVE PIN
	04595		SEAL KIT

BREAKER FOOT ASSEMBLY (T-HANDLE AND ANTI-VIBRATION HANDLE)		
P/N	SIZE	MODEL
07489	1 IN. STANDARD ROTATED HEX	BR40550 (INCL 53–59 & 62–67)
07510	1 IN. STANDARD	BR4056801A (INCL 53–59 & 62–67)



Stanley Hydraulic Tools
3810 SE Naef Road
Milwaukie, Oregon
503-659-5660 / Fax 503-652-1780
www.stanleyhydraulic.com

IMPORTANT

To fill out a Product Warranty Recording form, and for information on your warranty, visit Stanleyhydraulic.com and select the Warranty tab.
(NOTE: The warranty recording form must be submitted to validate the warranty).