

Installation Instructions

Bumper Kit
Mfg. No. 1694923

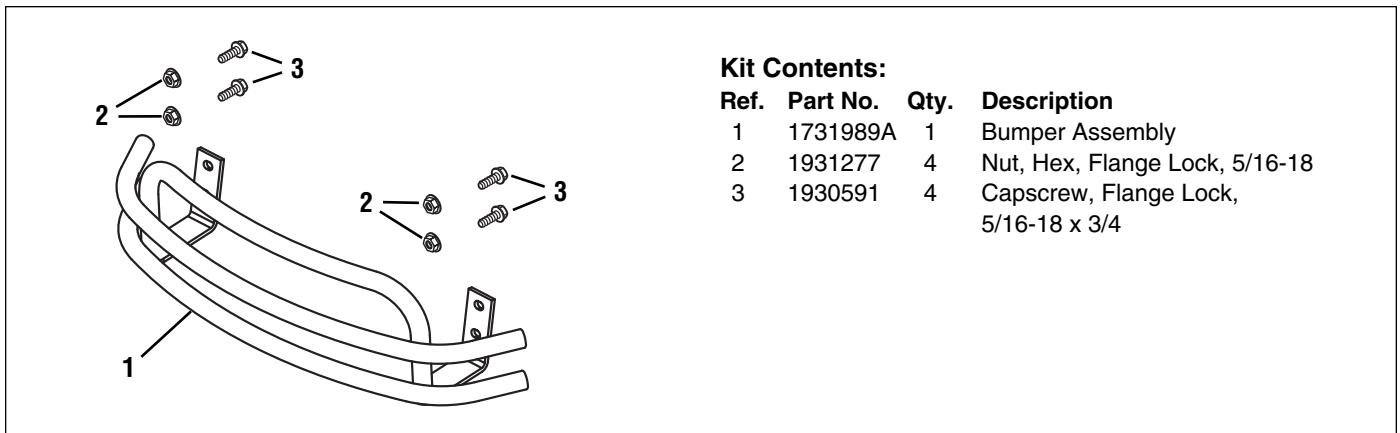


Figure 1. Contents

Kit Contents:

Ref.	Part No.	Qty.	Description
1	1731989A	1	Bumper Assembly
2	1931277	4	Nut, Hex, Flange Lock, 5/16-18
3	1930591	4	Capscrew, Flange Lock, 5/16-18 x 3/4

This kit is to install a bumper onto a Regent / 500 / 2500 / LT-200 Series Lawn Tractor.

WARNING

Before beginning any service work turn off the PTO, set the parking brake, turn off the ignition, and disconnect the spark plug wire(s).

Kit Installation

HOOD REMOVAL

1. Open the hood.
2. Remove the socket and bulbs (A, Figure 2) by twisting the socket counterclockwise and pulling it out of the bezel (B). Repeat on other side.
3. Rock the hood back slightly and lift hood and grill assembly (B, Figure 3) off pivot posts (C). Set hood on clean 4 x 4's or workbench.

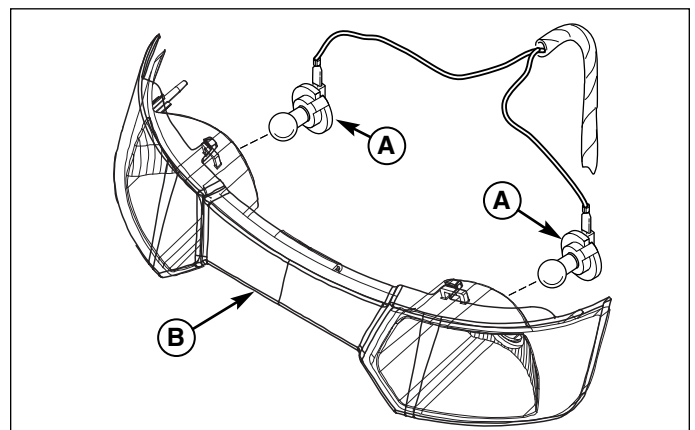


Figure 2. Head Light
A. Socket and Bulbs
B. Bezel

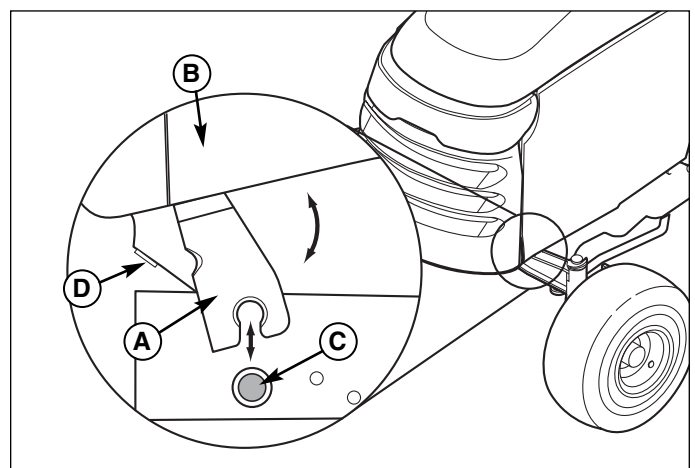


Figure 3. Hood Removal and Installation
A. Hinge Post
B. Hood and Grill Assembly
C. Pivot Post
D. Stop

BUMPER INSTALLATION

1. Insert 5/16-18 x 3/4 capscrew (D, Figure 4) through the holes in hinge (B) and the holes in bumper assembly (A).
2. Connect the 5/16-18 locknut (C) to 5/16-18 x 3/4 cap-screw (D). Do not tighten at this time.
3. Repeat steps 1 and 2 for all four holes in bumper assembly (A) and hinges (B).
4. Tighten all hardware.

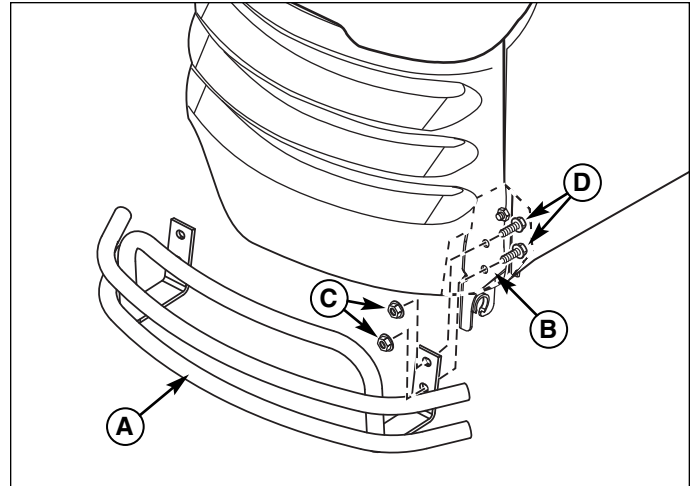


Figure 4.
A. Bumper Assembly
B. Hinges
C. Locknuts, 5/16-18
D. Capscrews, 5/16-18 x 3/4

HOOD INSTALLATION

1. Set hinge posts (A, Figure 5) onto pivot posts (C).
2. Roll the hood and grill assembly forward until it reaches the stops (D).
3. Install the socket and bulb (A, Figure 2) by pushing it into the bezel (B) twisting the socket and bulb clockwise. Repeat on other side.
4. Close the hood.

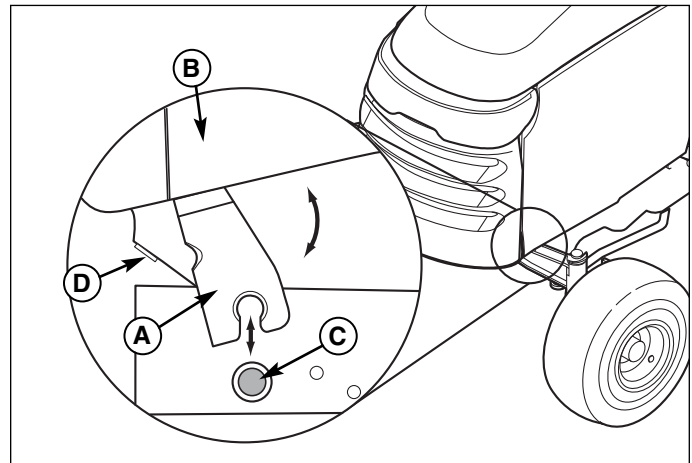


Figure 5. Installation
A. Hinge Post
B. Hood and Grill Assembly
C. Pivot Post
D. Stop