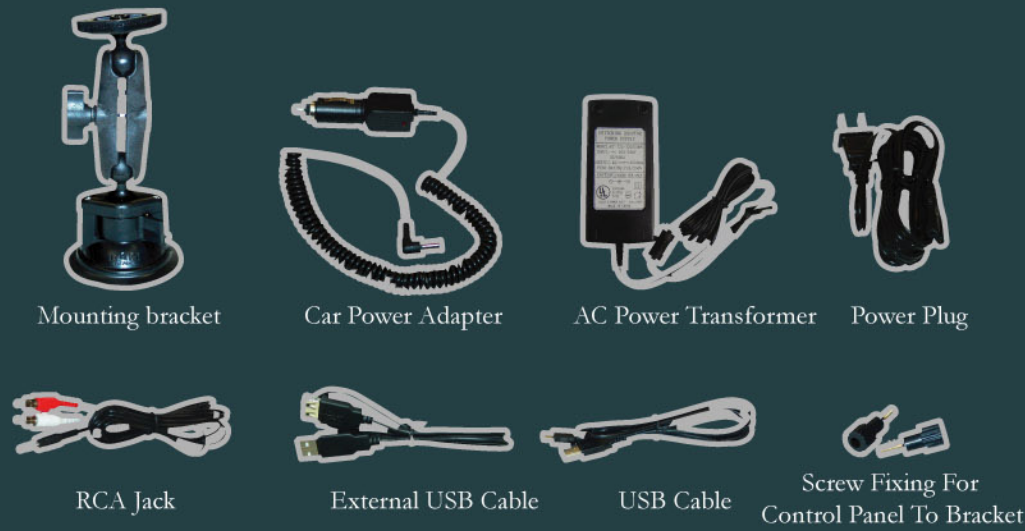
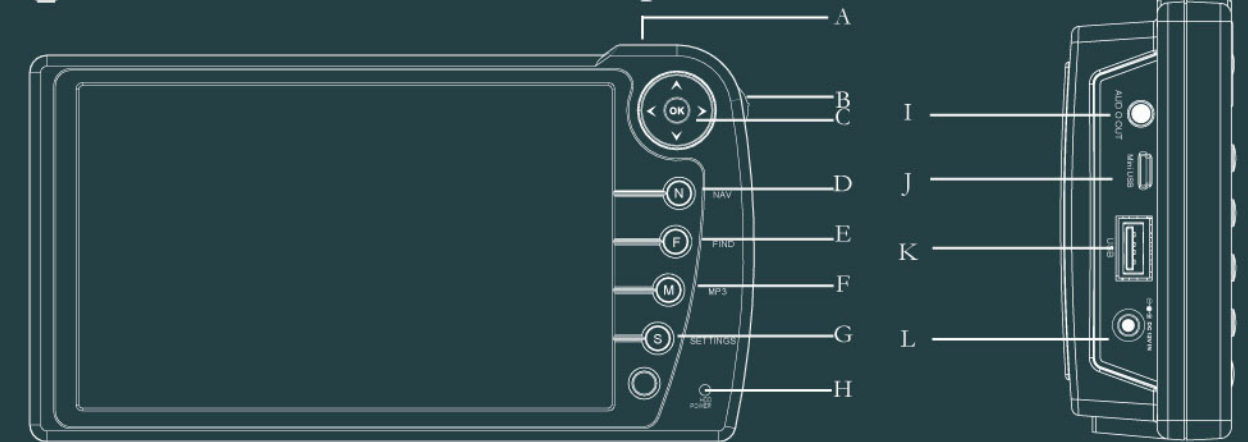


## Accessories List

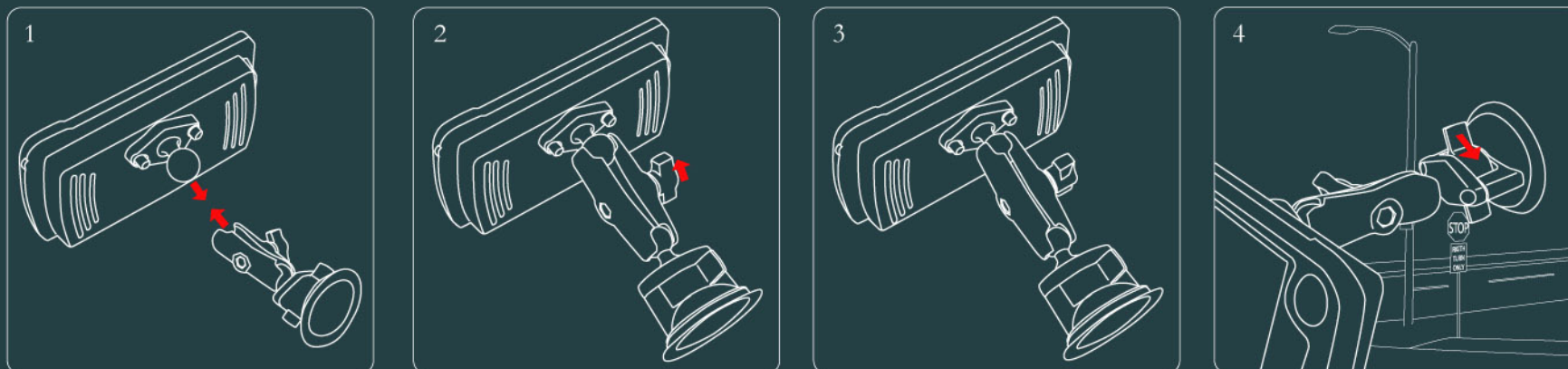


## Front View and Side View Description



- A - Power Button - On top of the GPS is the power button, push this in to power on. A blue LED light will light up the GPS and the screen is now on.
- B - Jog Wheel - On the right side of the GPS is the Jog Wheel this will Zoom in or out on the map.
- C - Arrow Pad (Four Directions) and OK - Up on the right side of the screen. This will help you scroll and select through different interfaces. Pressing OK will confirm your selection.
- D - Navigation - Labeled N. This will put you into Navigation mode. Press any point on the map area and the device will set this point as the center of the display. See map below.
- E - Find - Labeled F. Pressing this button will take you to the Find Destination UI.
- F - MP3 - Labeled M. Pressing this button will take you to the Music Operation mode.
- G - Settings - Labeled S. Pressing this button will take you to the Settings mode.
- H - HDD Power - Hard Disk Drive reads and writes data to the hard drive located inside your GPS. When you press on a key to do an action this light will blink showing the work in progress.
- I - Audio Output - Connect headphones or other external audio devices to listen to voice prompt and MP3s.
- J - Mini USB - Connect to your PC to upload map data or MP3 songs.
- K - USB Connector - Universal Serial Bus connect with your USB extension cable to other peripherals.
- L - DC In - Connect the DC adapter / Car lighter here to power up the GPS unit.

## Installation Overview



1. Loosen the knob on the side of the clamp turning it counter clock-wise. Attach it to the GPS

2. Tighten the clamp by turning the knob clock wise.

3. The GPS should now be connected with the suction cup on the other end. Select area of installation.

4. Place suction cup on the windshield and move the clip over to the right to create the suction. It is now in place.

\*\* To adjust, loosen the knob and move around carefully. Be sure not to loosen it all the way as the Nextar GPS may drop.

## Keypad Operation and Screen Icons

Name Of Next Street	EMERSON AVE	GPS Status	[Signal strength icon]
Map Orientation	[Compass icon]	Time	10:24 am
Day/Night Mode	[Sun/Moon icon]	Current Speed	42 mph
To Address Book	[Address book icon]	Next Turn Indicator	[Turn arrow icon]
Volume Control	[Speaker icon]	Distance To Next Turn	0.5 mi
Cancel Navigation	[Cancel icon]	Estimated Travel Time	00:19:00
Name Of Current Street	LANSDOWNE AVE	Distance to Destination	21.4 mi

### Safety Advice

As with any digital media-based storage device, data should be backed up regularly. We strongly recommend that you observe the usage precautions laid out in this instruction, and also back up the data in your player regularly. In no event will Nextar be liable for any indirect, incidental, special or consequential damages to any persons caused by Nextar's negligence, or for any lost profits, lost savings, loss of use, lost revenues or lost data arising from or relating to this device, even if Nextar has been advised of the possibility of such damages. In no event will Nextar's liability or damages to you or any other person ever exceed the amount paid by you for the device, regardless of the form of the claim. Some countries/states do not allow the limitations or exclusion of liability for incidental or consequential damages, so the above limitation or exclusion may not apply to you.