

GPSSmile⁵² Portable Automobile Navigation System

Quick Started Guide



Version: V.01

June 2006

Registered info

HOLUX and GPSSmile are trademarks of HOLUX Technology, Inc.
All other trademarks belong to each registered companies.

Note

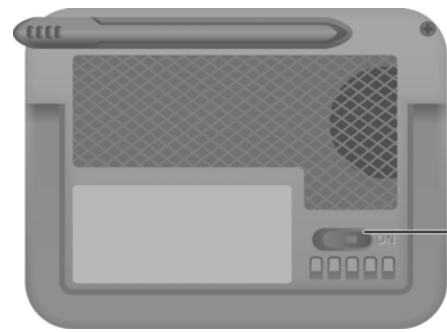
Contents of this manual will be modified without further notice.

Operating Methods

Startup

1. For first time use, please turn the system power switch at the rear side **On**.
2. Press and hold the power button for about two seconds to turn on the power.

Note: Before the first time use, please switch the system power on.



System power switch

Shutdown

1. While power is on, press the power button to turn off power.
2. If the unit will not be used for a long time, turn the system power switch at the rear side **Off**.



Power button

Using Vehicle Bracket

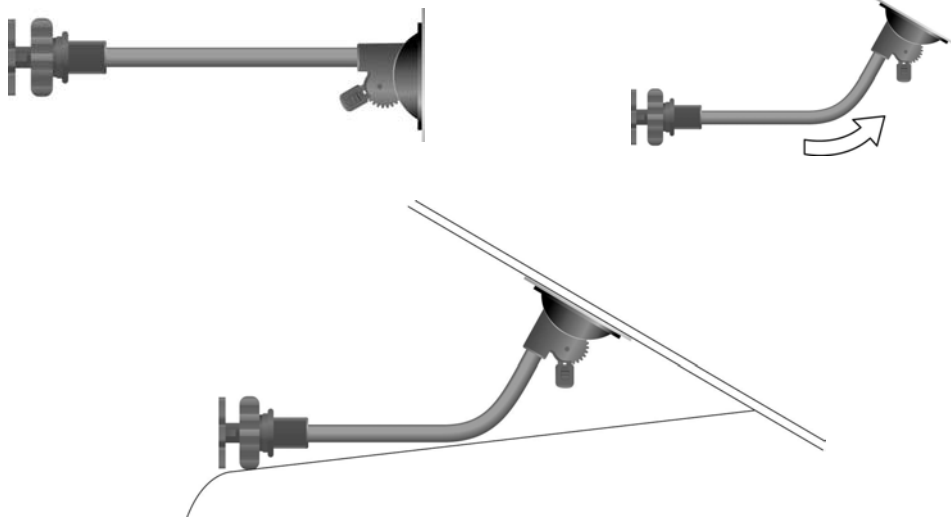
The included in vehicle bracket set can be securely suctioned on the front windshield, or using the adhesive plate, securing on top of the glove compartment. This device will effectively secure the GPS unit in the vehicle. Follow the procedures below to secure the bracket:

1. Follow the arrows and slide the unit into the in-vehicle bracket fitting holes to secure.
2. Gently push down until the unit is tightly fixed with the bracket.



Note: Please note the directions of the arrows, when fitted the assembly should be tight. If these directions are not followed, a loose fit will result, and components must be reassembled.

3. Bend the bracket support to a proper angle. Suction the vehicle bracket securely to the windshield, ensuring its base is resting firmly on the dashboard.



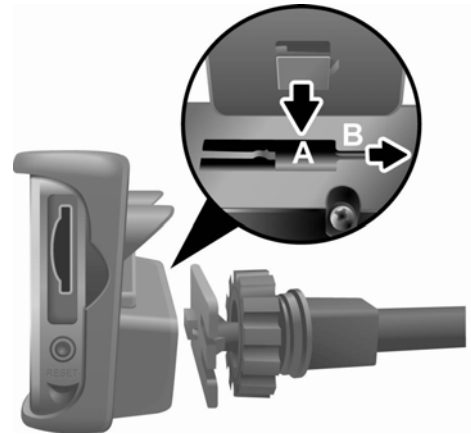
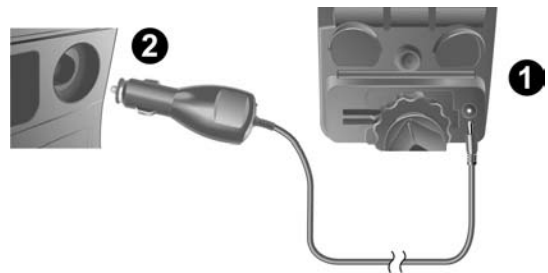
4. Follow the directions to insert the bracket into the slots on the bracket, and slide to fix the set (**A → B**).
5. The in vehicle bracket assembly is complete.
 - ✓ When using the in-vehicle secure bracket, do not install in a location that will block the view of the driver
 - ✓ Recommended installation requirements:

The bracket base should be resting securely on the dashboard to prevent excessive shock.

Using the Car Charger

While using the device in a vehicle, use the included car charger for long periods of usage.

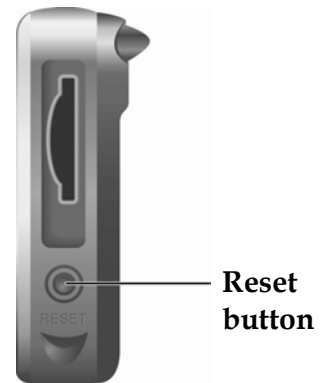
1. Plug in the small plug into the power jack on the rear of the in vehicle bracket.
2. Insert the other end into the cigarette lighter.



System Reset

Only under extremely few circumstances will it be required to reboot the system. Reset your system if the following situations occur:

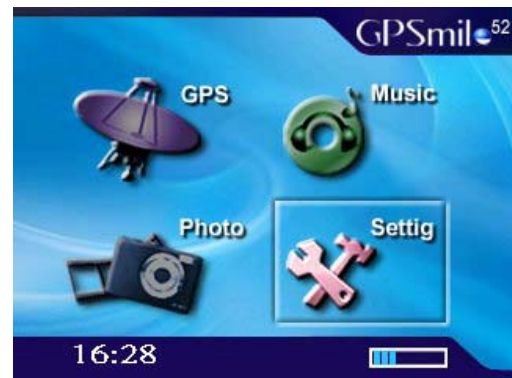
1. Heavy lag experienced with screen refresh or operations, resulting in an inoperable system.
2. Cannot turn off the system with power button.
3. No response with selection on the screen.



If any of above occurs, press the Reset button on the right side of the unit to reboot the system.

Main Menu

During the first startup, the screen will show the main screen consisting of four functions: navigation, music, photo, and settings. Directly select the icon onscreen to use the function.



- | | |
|----------------|----------------------------------------------------------------------------------------------------------------------------------------------------------------------------------------|
| GPS | Loads the navigation program and navigation screen
Note: If the SD card with navigator software is inserted, the system will enter GPS function automatically after startup. |
| Music | Plays MP3 music |
| Photo | Plays images |
| Setting | Function adjustments and operation instructions |